

US00D844558S

(12) **United States Design Patent**
Taniguchi et al.

(10) **Patent No.:** **US D844,558 S**

(45) **Date of Patent:** **** Apr. 2, 2019**

(54) **STORAGE BATTERY**

(71) Applicant: **Hitachi Koki Co., Ltd.**, Minato-Ku,
Tokyo (JP)

(72) Inventors: **Takeshi Taniguchi**, Hitachinaka (JP);
Shuji Takeda, Hitachinaka (JP); **Shota Kanno**, Hitachinaka (JP)

(73) Assignee: **Hitachi Koki Co., Ltd.**, Minato-Ku,
Tokyo (JP)

(**) Term: **15 Years**

(21) Appl. No.: **29/629,778**

(22) Filed: **Dec. 15, 2017**

(30) **Foreign Application Priority Data**

Jun. 16, 2017 (JP) 2017-012975

(51) **LOC (11) Cl.** **13-02**

(52) **U.S. Cl.**
USPC **D13/103**

(58) **Field of Classification Search**
USPC D13/102-108, 110, 118, 119, 184, 199
CPC Y02E 60/12; Y02E 60/122; Y02E 60/124;
Y02E 60/50; H01M 2/02; H01M 2/022;
H01M 2/0202; H01M 2/0207; H01M
2/0212; H01M 2/1061; H01M 2/1022;
H01M 2/1055; H01M 2/1066; H01M
2/105; H01M 2/204; H01M 10/4257;
H01M 10/0436; H01M 10/48

See application file for complete search history.

(56) **References Cited**

U.S. PATENT DOCUMENTS

D550,152 S * 9/2007 Okada D13/103
D555,086 S * 11/2007 Zhang D13/103
D562,227 S * 2/2008 Yamada D13/103
D562,228 S * 2/2008 Okada D13/103

D568,239 S * 5/2008 Okada D13/103
D589,439 S * 3/2009 Van Wambeke D13/103
D589,441 S * 3/2009 Van Wambeke D13/103
D606,935 S * 12/2009 Murayama D13/103
D607,814 S * 1/2010 Tsuzuki D13/103
D610,082 S * 2/2010 Sweeney D13/103
D622,661 S * 8/2010 Yamada D13/103
D639,730 S * 6/2011 Kawase D13/103
D640,628 S * 6/2011 Lopano D13/103
D640,975 S * 7/2011 Okuda D13/103
D643,809 S * 8/2011 Okuda D13/103

(Continued)

OTHER PUBLICATIONS

Toolguyd.com: Hitachi MultiVolt—a New Flex Volt-Like 36V Cordless Power Tool System. Published Oct. 17, 2017. Retrieved from the internet at <<https://toolguyd.com/hitachi-multivolt-cordless-power-tool-system/>>, Oct. 23, 2018. 1 pg. (Year: 2017).*

Primary Examiner — Rosemary K Tarcza

Assistant Examiner — Christy M Nemeth

(74) *Attorney, Agent, or Firm* — Banner & Witcoff, Ltd.

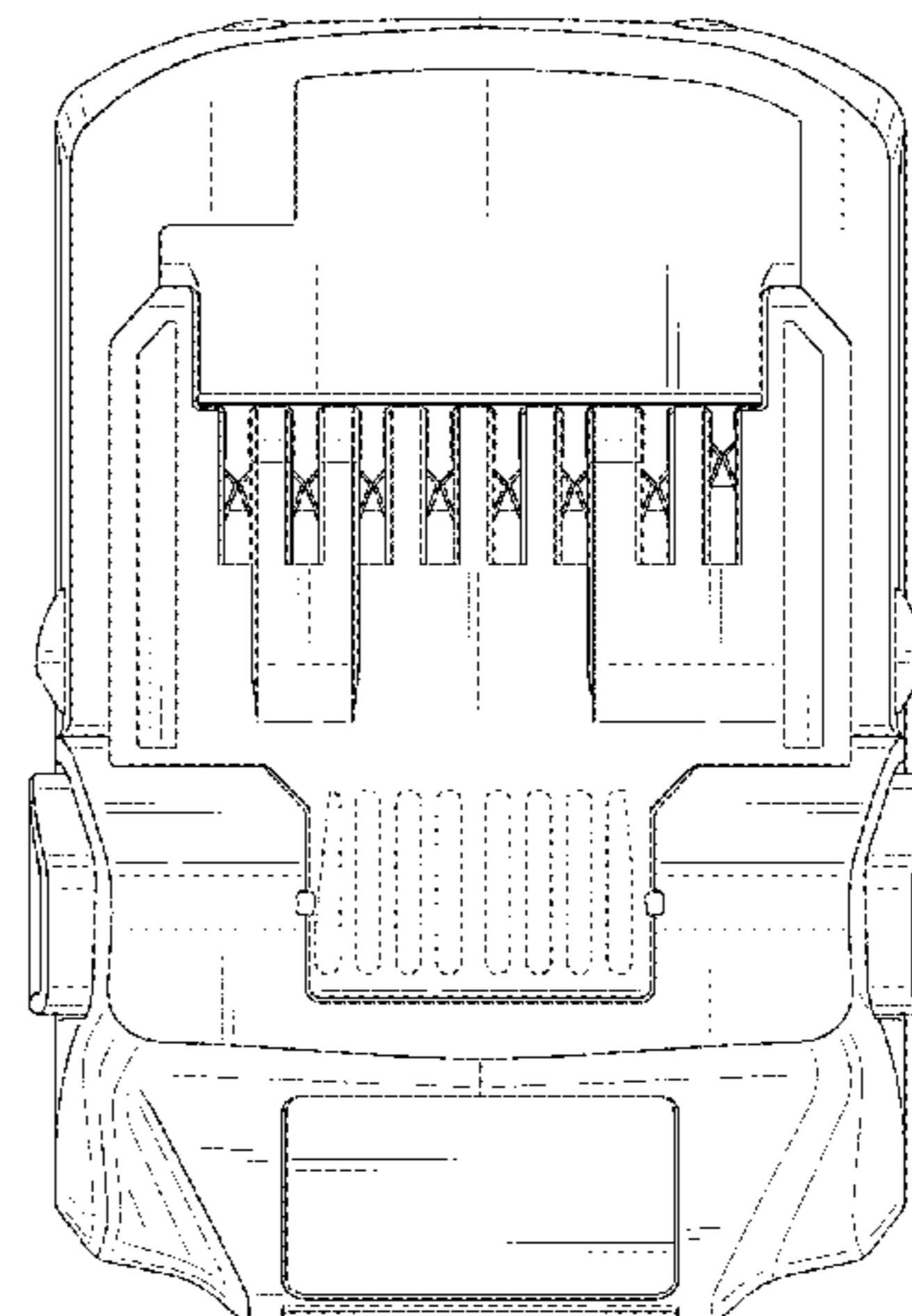
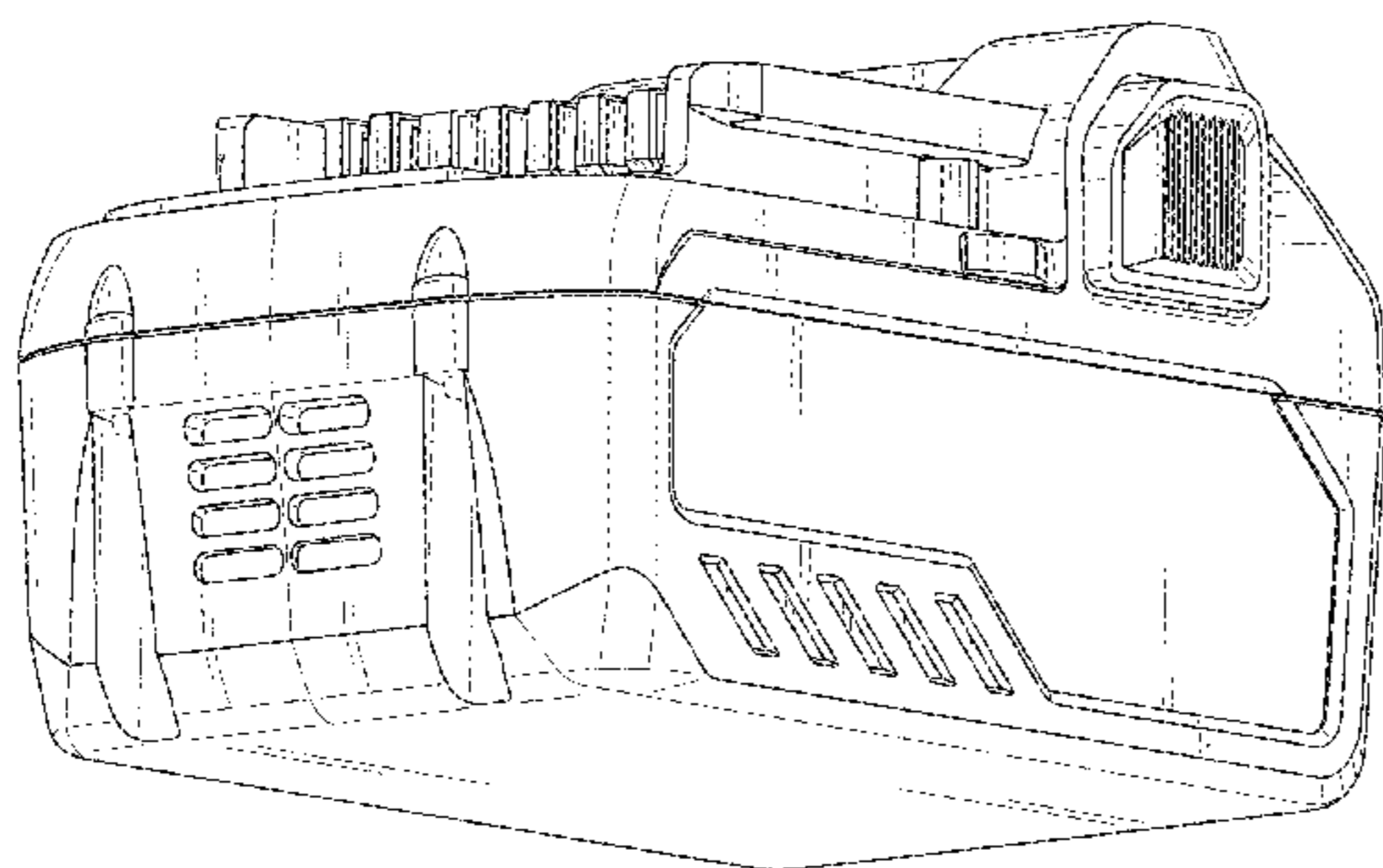
(57) **CLAIM**

The ornamental design for a storage battery, as shown and described.

DESCRIPTION

FIG. 1 is a front, right, top perspective view of a storage battery showing our new design;
FIG. 2 is a rear, left, bottom perspective view thereof;
FIG. 3 is a front view thereof;
FIG. 4 is a rear view thereof;
FIG. 5 is a left side view thereof;
FIG. 6 is a right side view thereof;
FIG. 7 is a top plan view thereof; and,
FIG. 8 is a bottom plan view thereof.
The broken lines in the drawings are for the purpose of illustrating portions of the storage battery that form no part of the claimed design.

1 Claim, 5 Drawing Sheets



(56)

References Cited

U.S. PATENT DOCUMENTS

D657,307	S	*	4/2012	Zhao	D13/103
D658,578	S	*	5/2012	Davis	D13/103
D682,192	S	*	5/2013	Corbin	D13/103
D682,193	S	*	5/2013	Corbin	D13/103
D682,194	S	*	5/2013	Jiang	D13/103
D684,528	S	*	6/2013	Murray	D13/103
D685,730	S	*	7/2013	Hamm	D13/103
D699,670	S	*	2/2014	Cooper	D13/103
D712,826	S	*	9/2014	Marino	D13/103
D761,069	S	*	7/2016	Aoki	D8/68
D777,545	S	*	1/2017	Kosugi	D8/68
D780,687	S	*	3/2017	Taniguchi	D13/103
D780,688	S	*	3/2017	Elder	D13/103
D797,661	S	*	9/2017	Elder	D13/103
D800,650	S	*	10/2017	Itoh	D13/103
D801,919	S	*	11/2017	Elder	D13/103
D812,555	S	*	3/2018	Schoch	D13/103
D818,948	S	*	5/2018	Waldron	D13/103
D819,562	S	*	6/2018	Waldron	D13/103
D826,149	S	*	8/2018	Cooper	D13/103
D826,150	S	*	8/2018	Cayon	D13/103

* cited by examiner

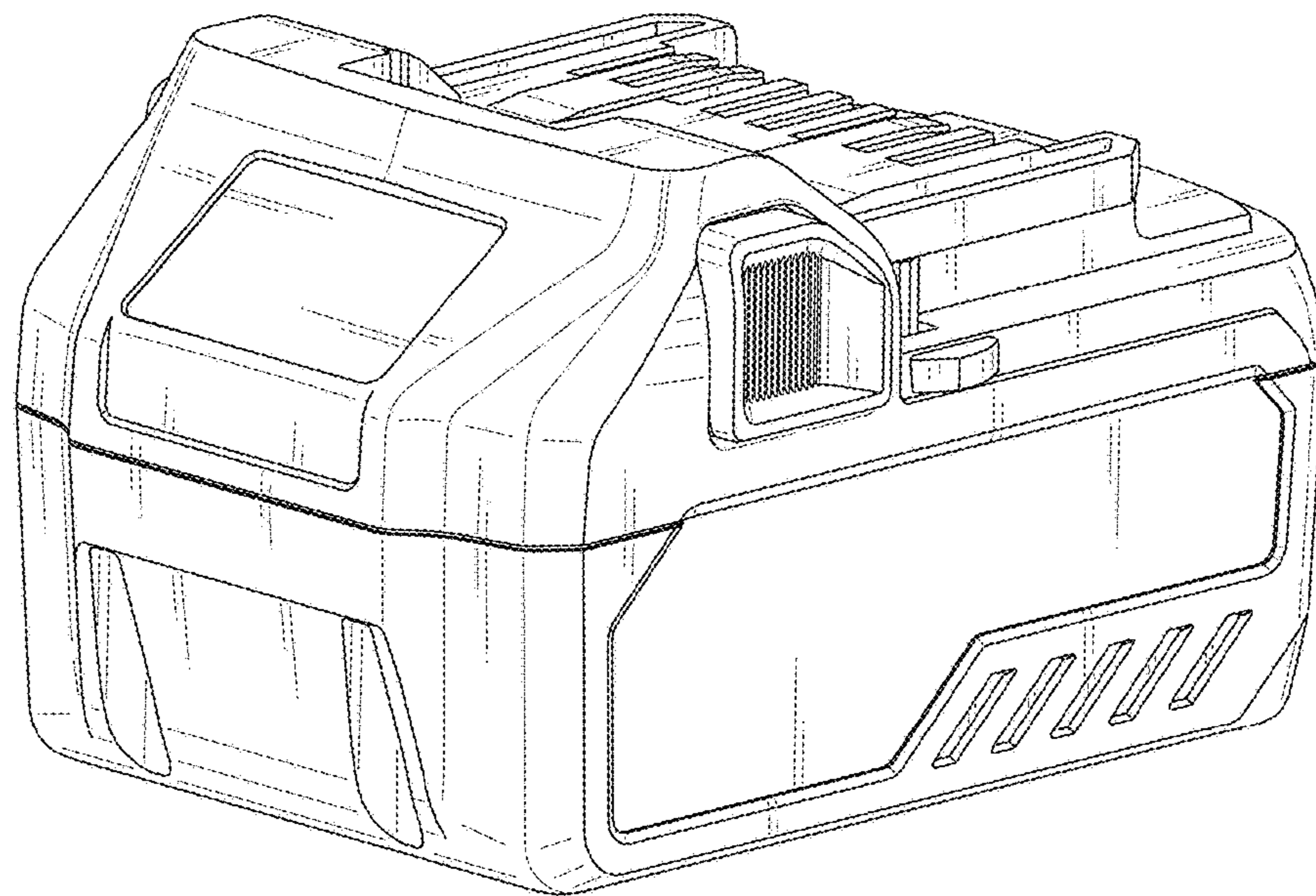


FIG. 1

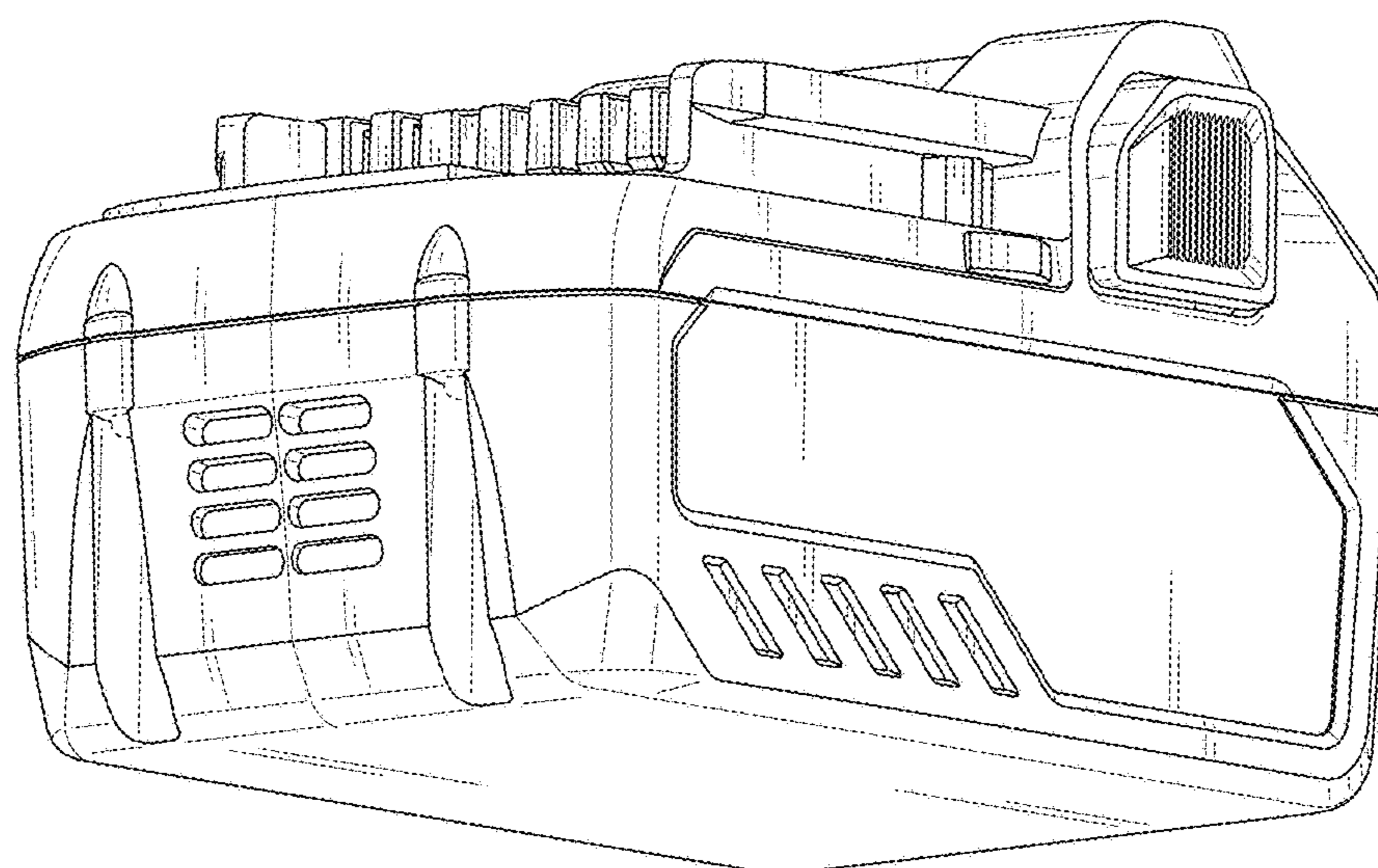


FIG. 2

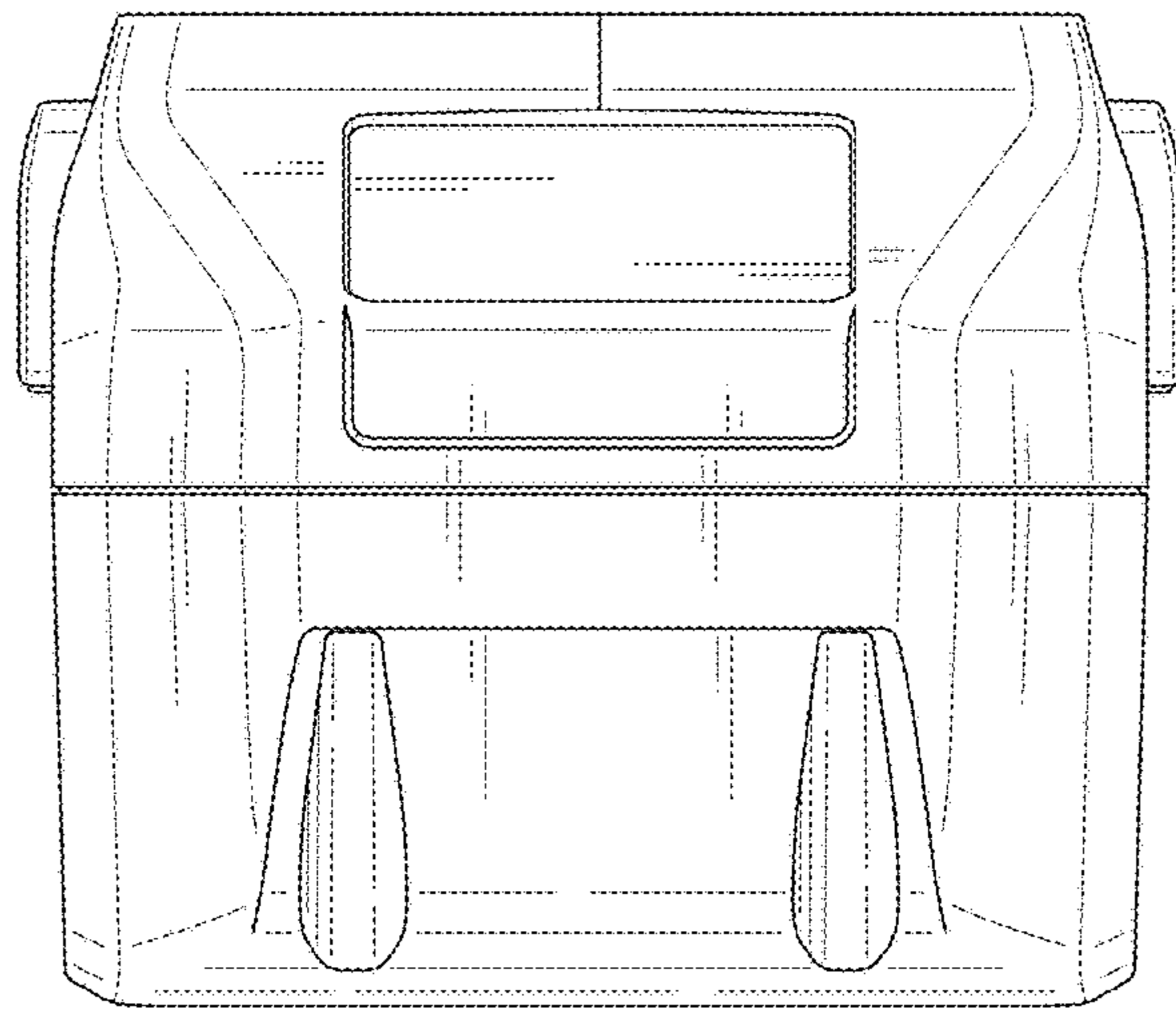


FIG. 3

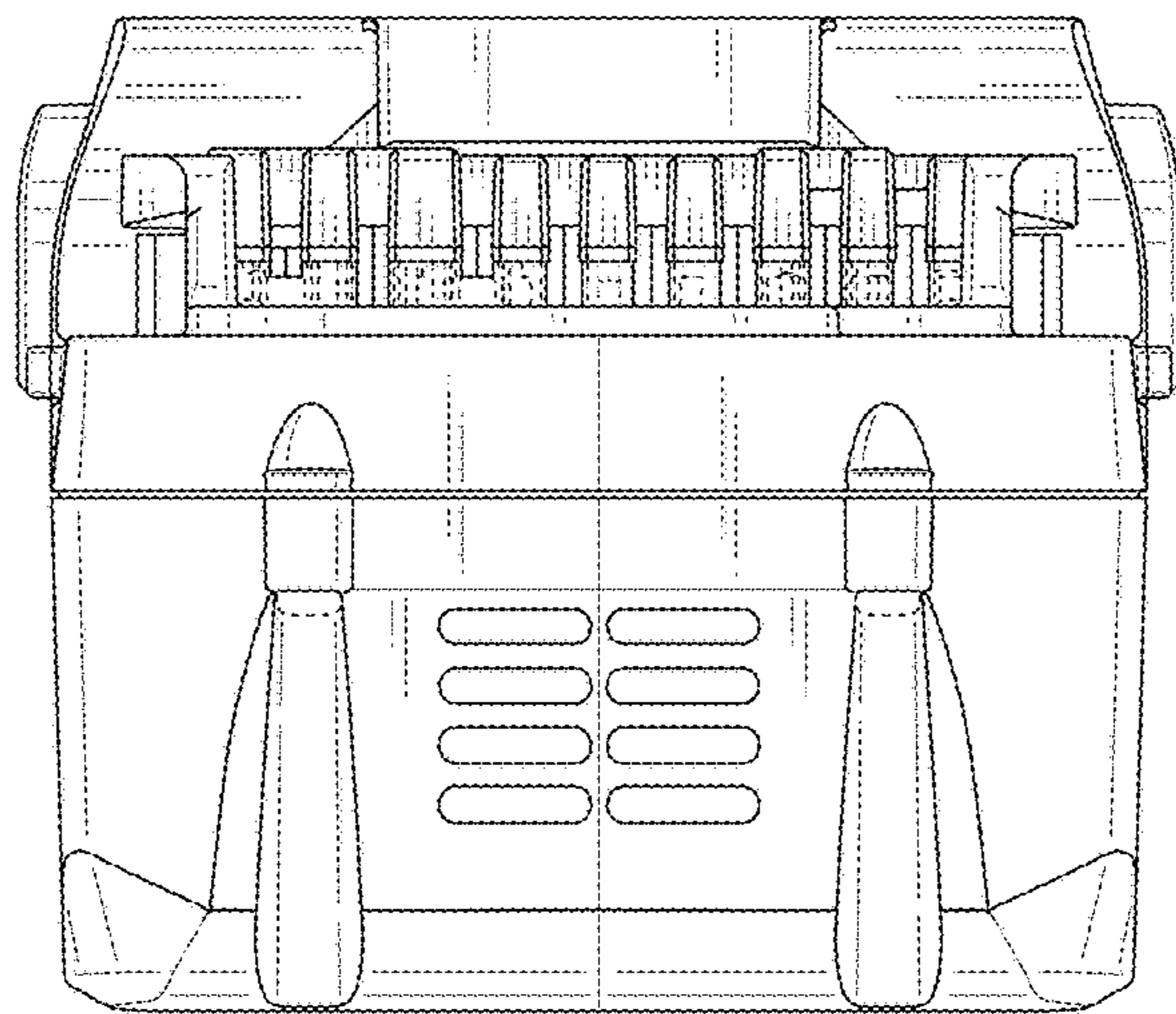


FIG. 4

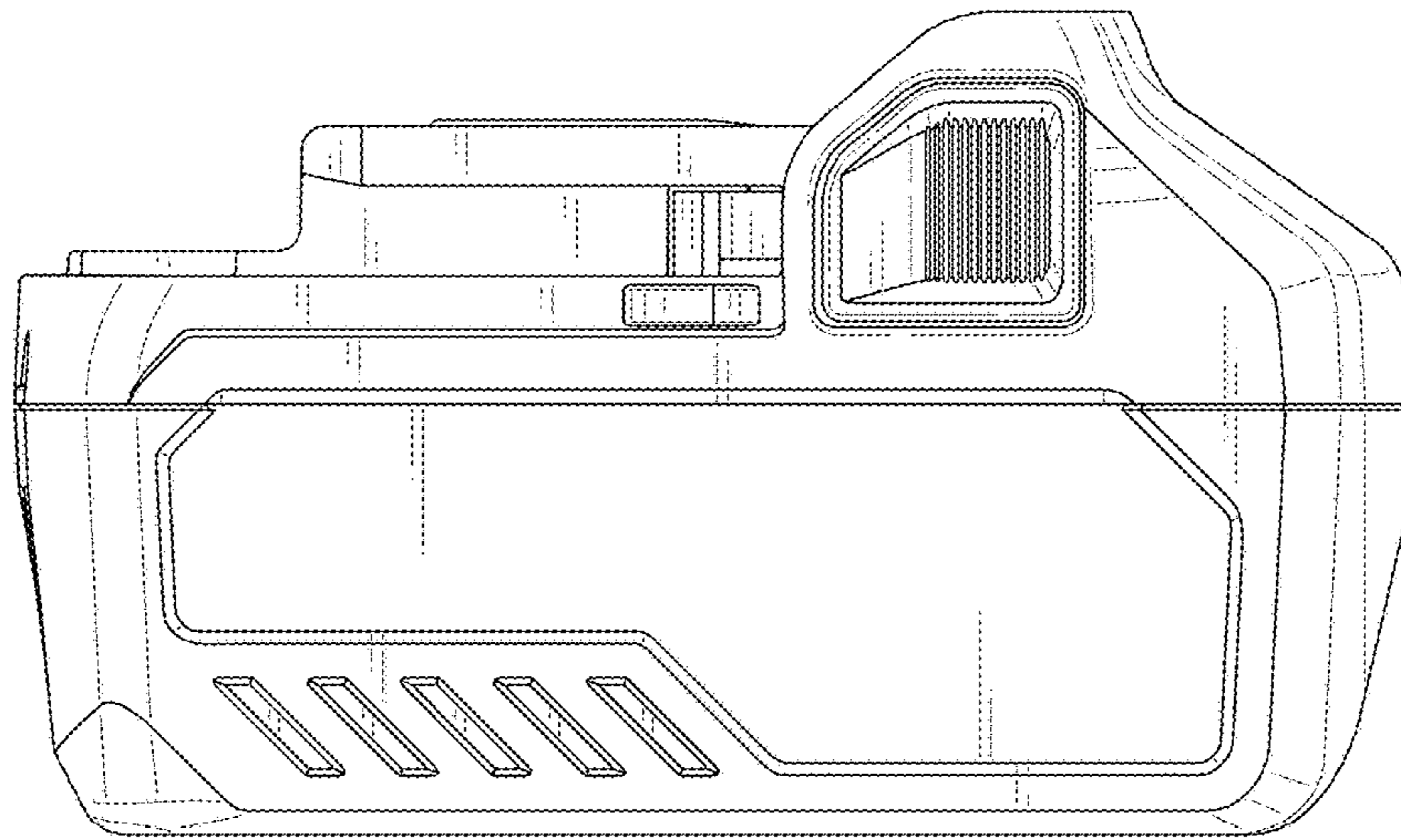


FIG. 5

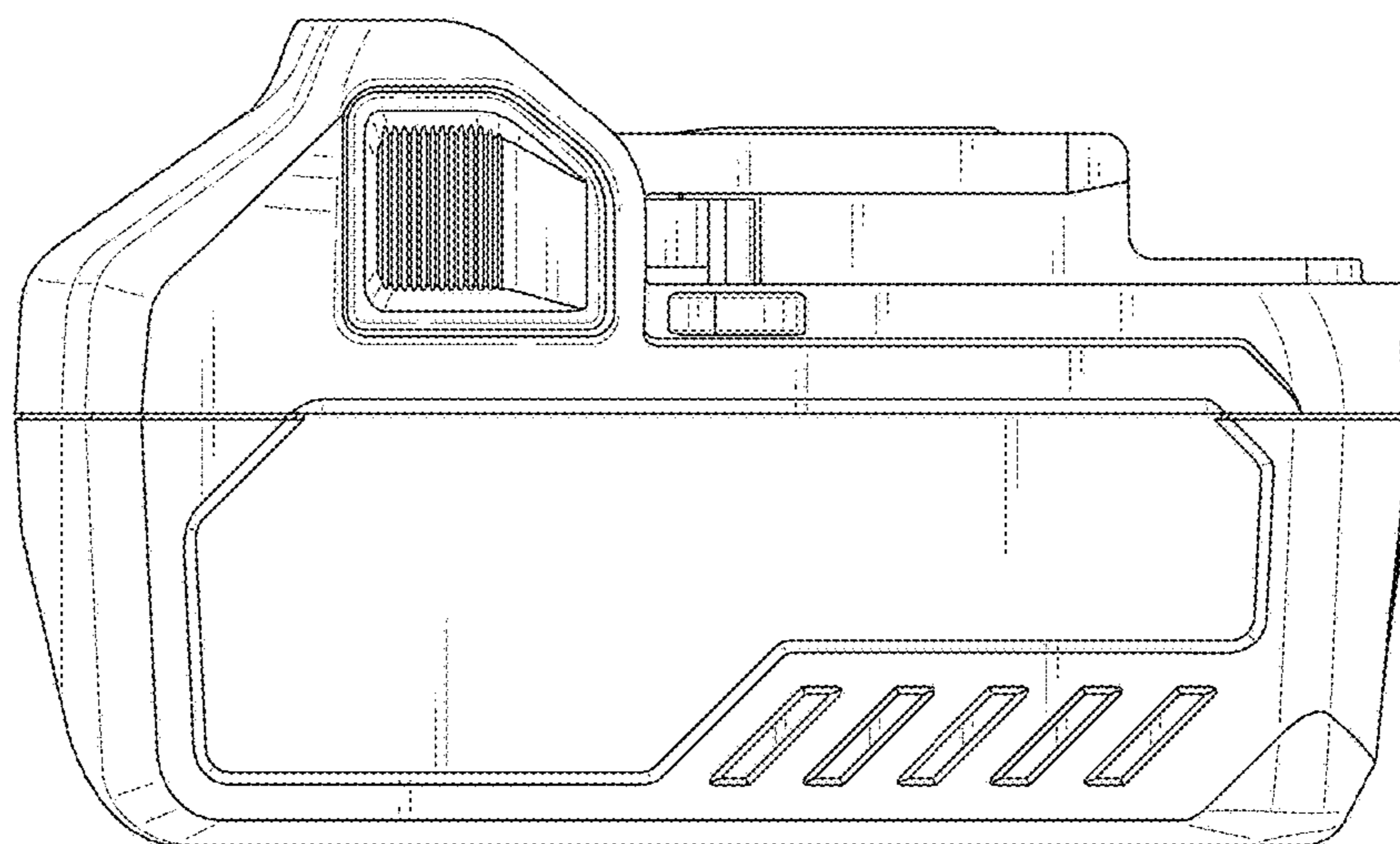


FIG. 6

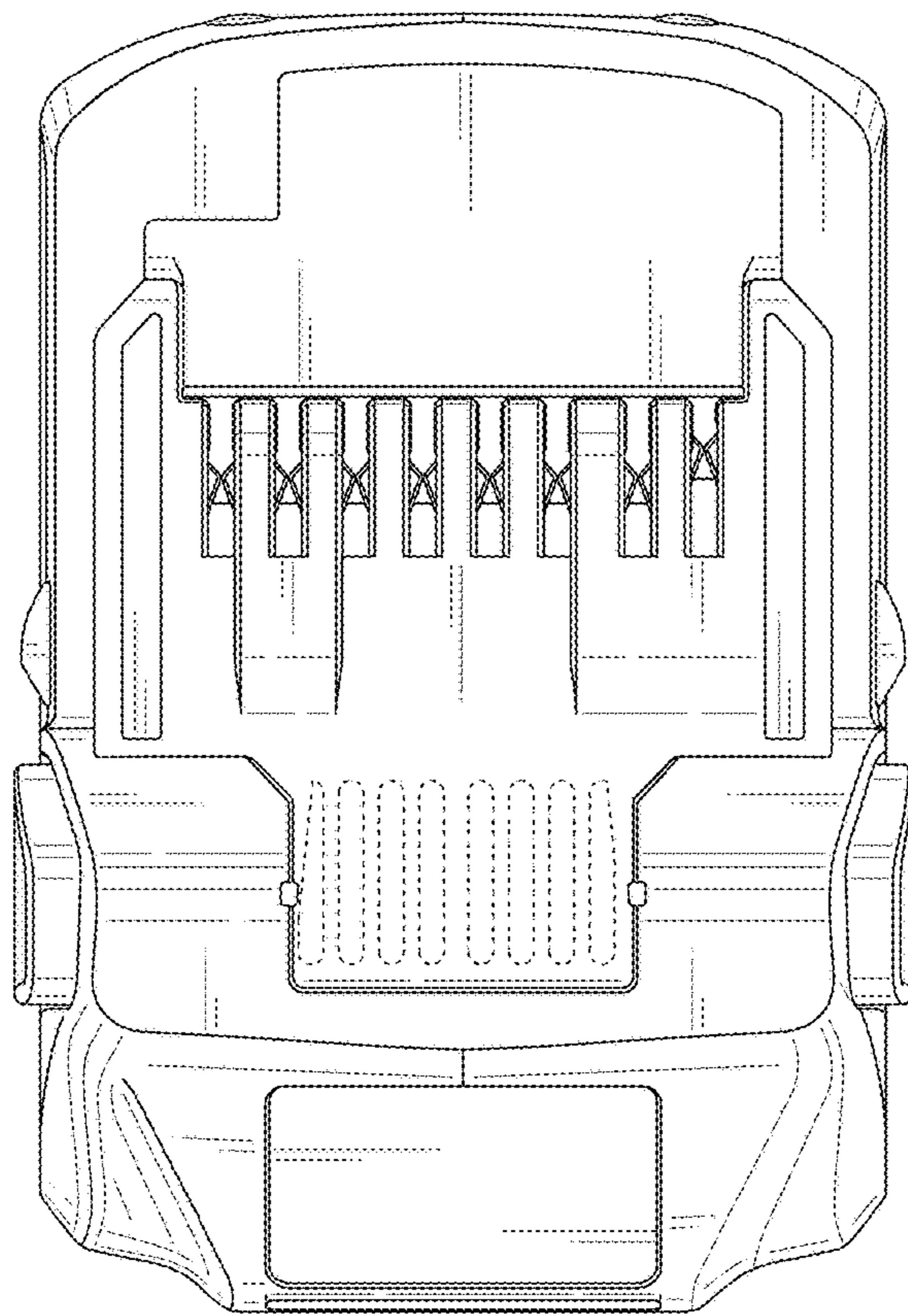


FIG. 7

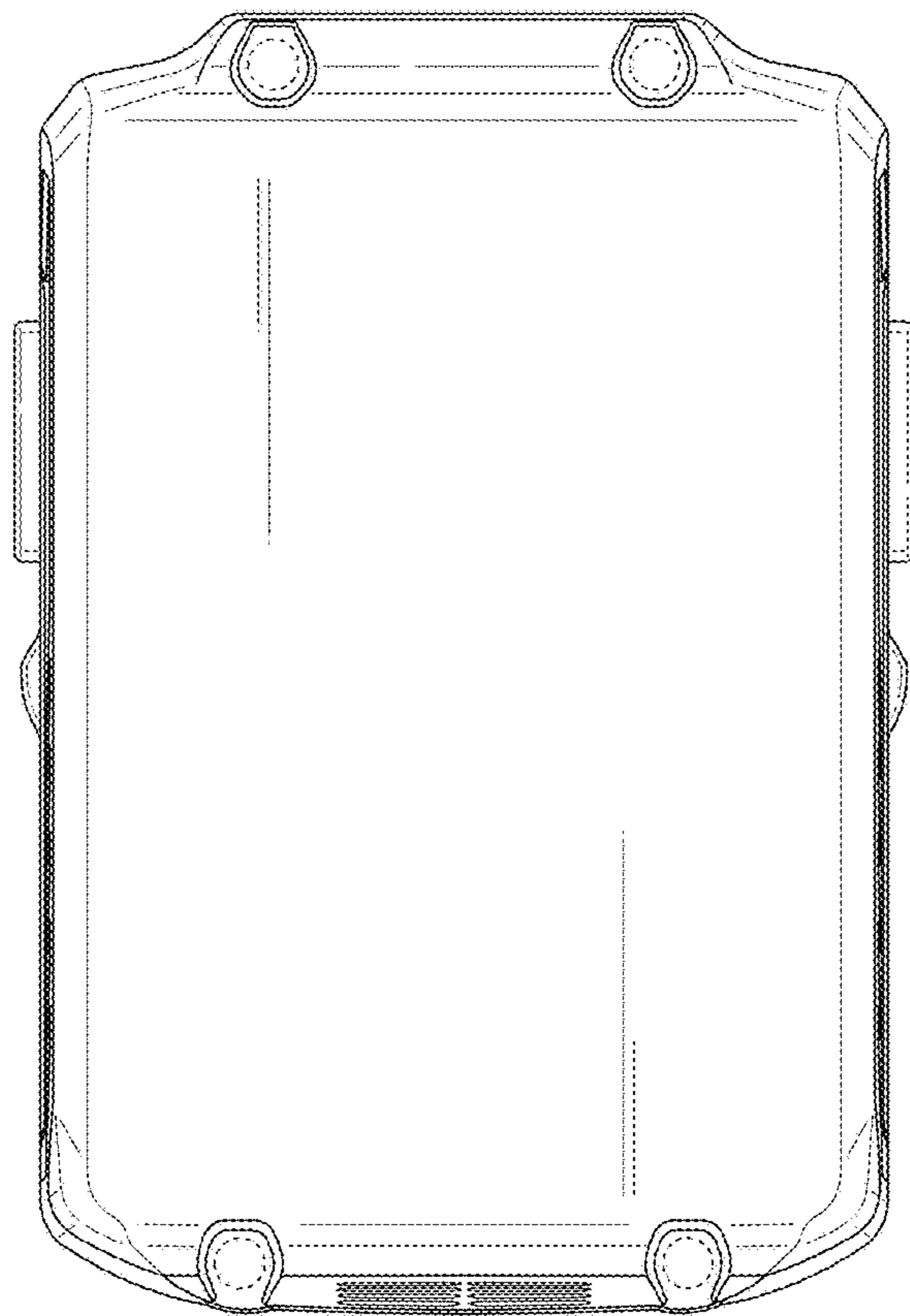


FIG. 8