



US00D844557S

(12) **United States Design Patent** (10) **Patent No.:** **US D844,557 S**
Wang (45) **Date of Patent:** **** Apr. 2, 2019**

(54) **LIGHTING BATTERY**
(71) Applicant: **SHEN ZHEN ORIENTAL VISION BATTERY CO., LTD**, Shenzhen (CN)
(72) Inventor: **Kunli Wang**, Meitan (CN)
(**) Term: **15 Years**
(21) Appl. No.: **29/629,351**

(22) Filed: **Dec. 13, 2017**
(51) **LOC (11) Cl.** **13-02**
(52) **U.S. Cl.**
USPC **D13/103**
(58) **Field of Classification Search**
USPC D13/102-108, 110, 118, 119, 184, 199
CPC Y02E 60/12; Y02E 60/122; Y02E 60/124;
Y02E 60/50; H01M 2/02; H01M 2/022;
H01M 2/0202; H01M 2/0207; H01M
2/0212; H01M 2/1061; H01M 2/1022;
H01M 2/1055; H01M 2/1066; H01M
2/105; H01M 2/204; H01M 10/4257;
H01M 10/0436; H01M 10/48
See application file for complete search history.

(56) **References Cited**

U.S. PATENT DOCUMENTS

D413,858 S *	9/1999	Murakami	D13/103
D427,142 S *	6/2000	Luh	D13/103
D428,385 S *	7/2000	Luh	D13/103
D459,297 S *	6/2002	Searle	D13/103
D481,993 S *	11/2003	Searle	D13/103
D495,819 S *	9/2004	Krieger	D26/104
D539,216 S *	3/2007	Hamaguchi	D13/103
D550,612 S *	9/2007	Harada	D13/103
D551,616 S *	9/2007	Shimizu	D13/103
D577,333 S *	9/2008	Daniel	D13/103
D593,488 S *	6/2009	Harrison	D13/103
D598,374 S *	8/2009	Sasada	D13/108
D664,092 S *	7/2012	Gea Suarez	D13/103
D670,244 S *	11/2012	Workman	D13/110
D685,735 S *	7/2013	Wang	D13/110

D686,155 S *	7/2013	Nguyen	D13/103
D762,564 S *	8/2016	Patton	D13/103
D774,452 S *	12/2016	Rost	D13/103
D780,115 S *	2/2017	Huang	D13/107
9,793,572 B2 *	10/2017	Lee	H01M 10/0431
D822,591 S *	7/2018	Wu	D13/103
2010/0221599 A1 *	9/2010	Sumihiro	H01M 2/027 429/174
2016/0260955 A1 *	9/2016	Jo	H01M 2/30

OTHER PUBLICATIONS

Amazon.com: Fenix ARB-L18-3500U. Published Sep. 4, 2017. Retrieved from the internet at <<https://www.amazon.com/ARB-L18-3500U-3500mAh-rechargeable-charging-Edisonbright/dp/B071HDP5NZ/>>, Oct. 27, 2018. 1 page. (Year: 2017).*

* cited by examiner

Primary Examiner — Rosemary K Tarcza
Assistant Examiner — Christy M Nemeth
(74) *Attorney, Agent, or Firm* — W&K IP(Wayne & King)

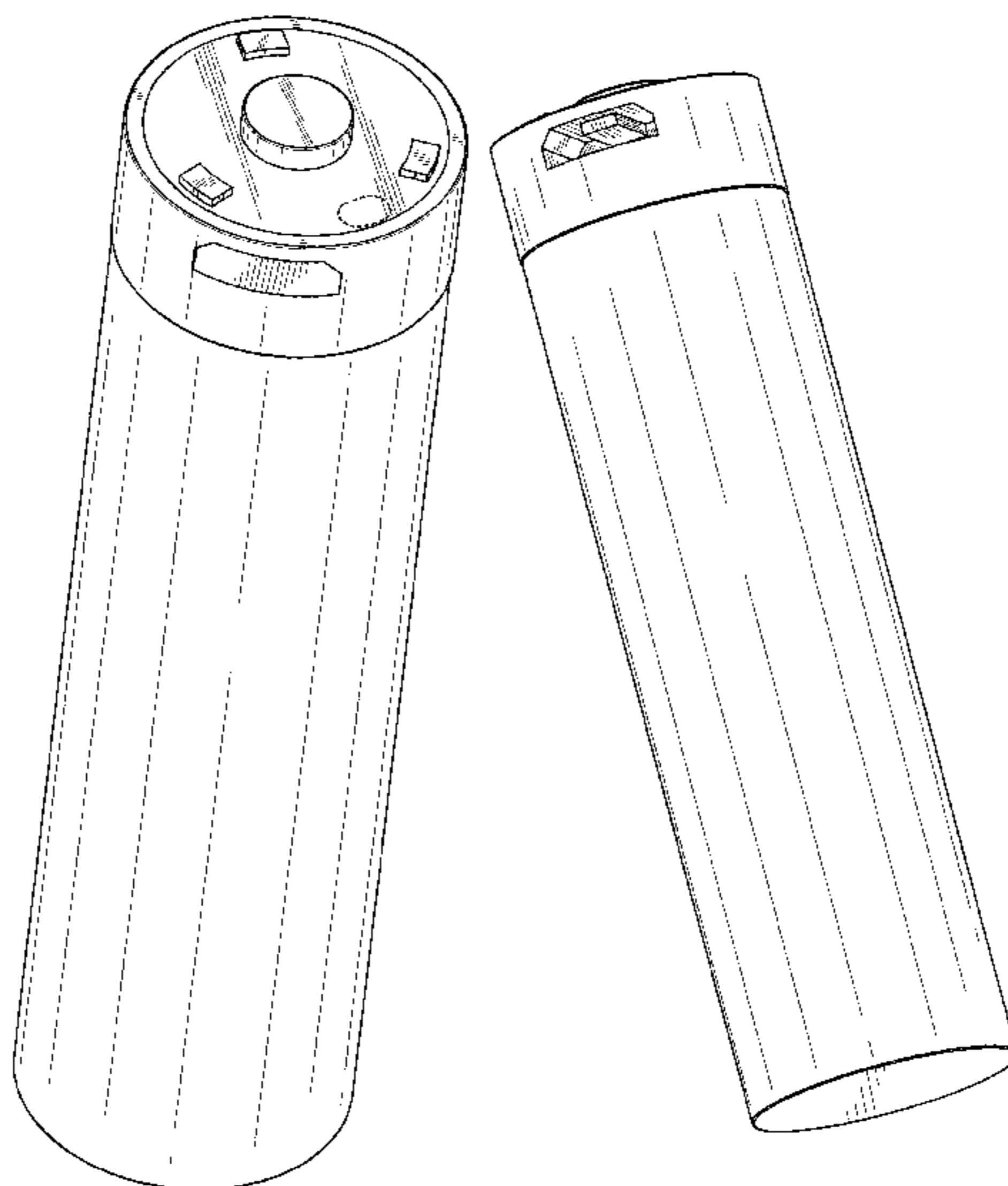
(57) **CLAIM**

The ornamental design for a lighting battery, as shown and described.

DESCRIPTION

FIG. 1 is a top perspective view of a lighting battery showing my new design;
FIG. 2 is a bottom perspective view thereof;
FIG. 3 is a front view thereof;
FIG. 4 is a rear view thereof;
FIG. 5 is a left side view thereof;
FIG. 6 is a right side view thereof;
FIG. 7 is a top view thereof; and,
FIG. 8 is a bottom view thereof.
The broken lines in the drawings are for the purpose of illustrating portions of the lighting battery that form no part of the claimed design.

1 Claim, 8 Drawing Sheets



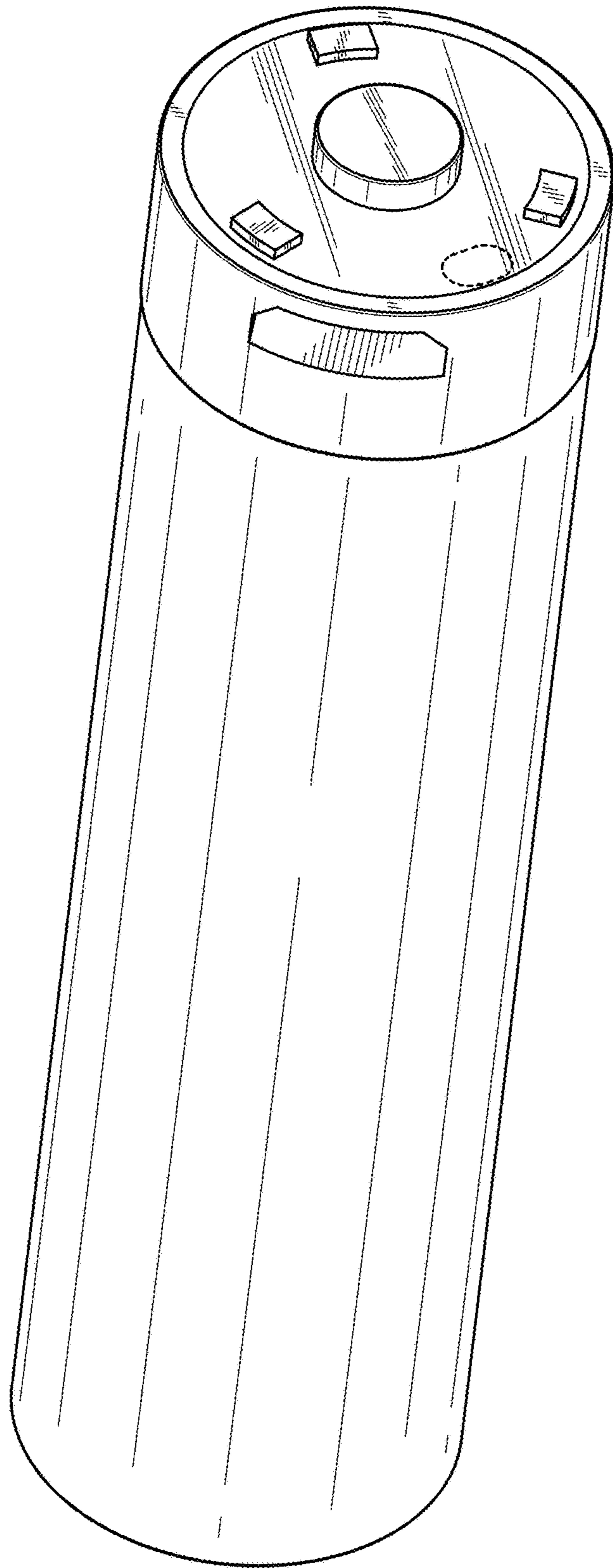


FIG.1

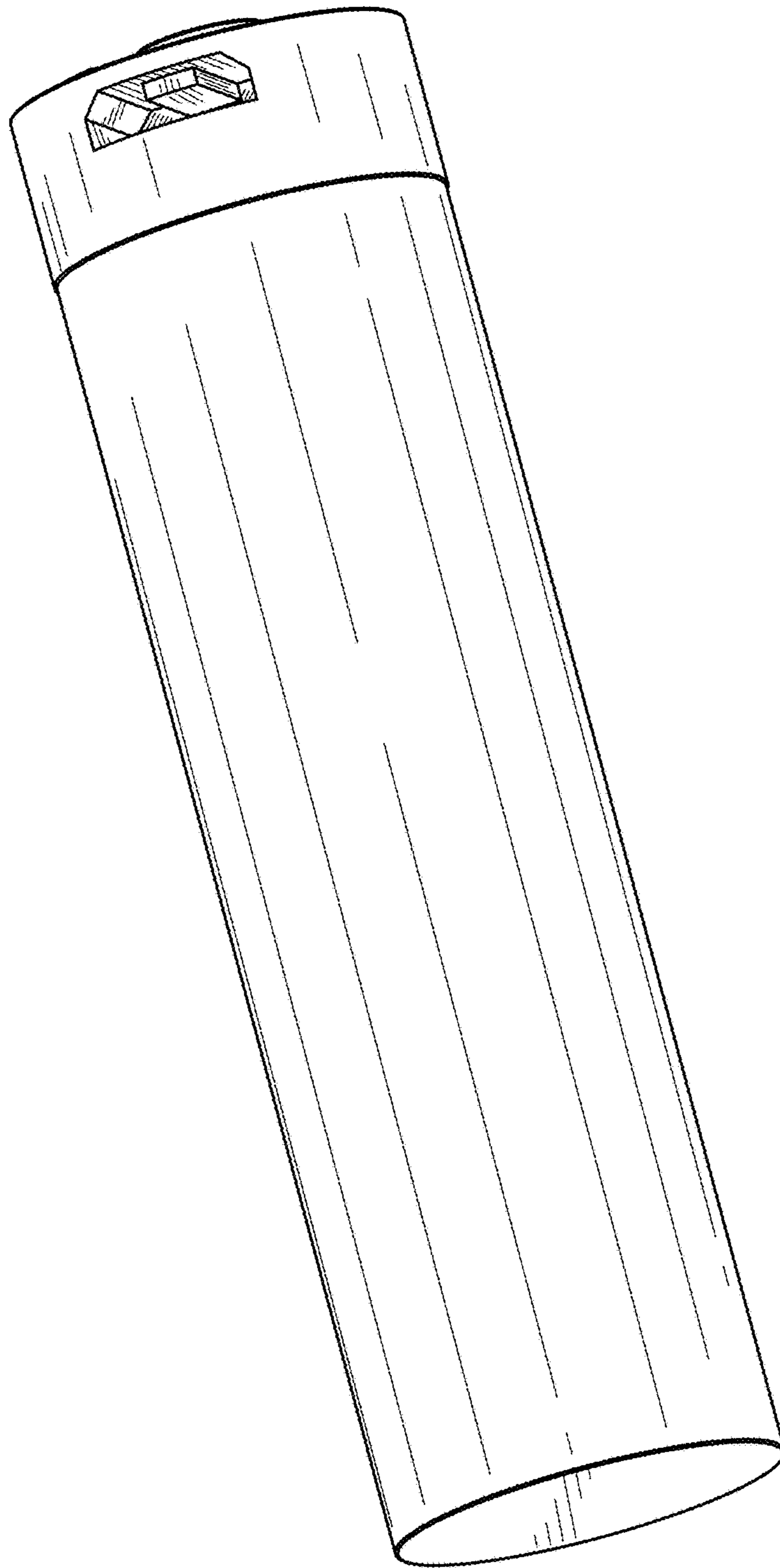


FIG.2

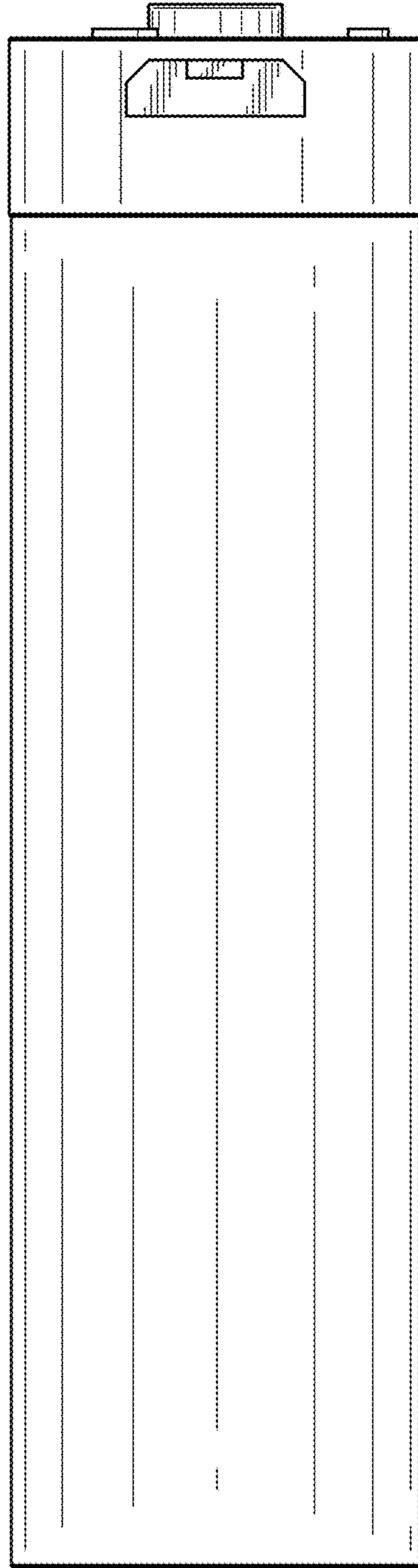


FIG.3

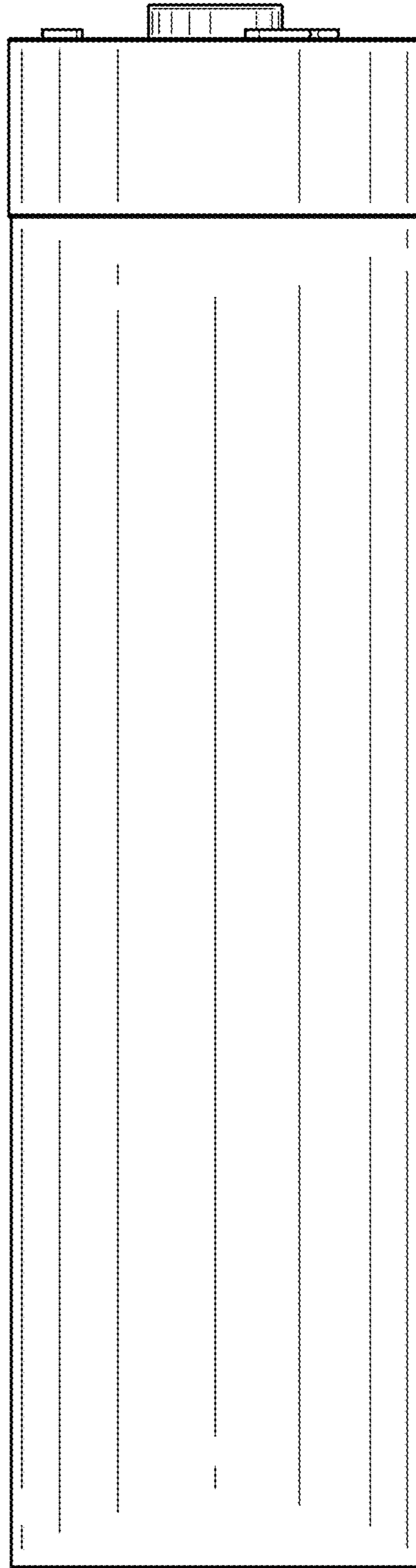


FIG.4

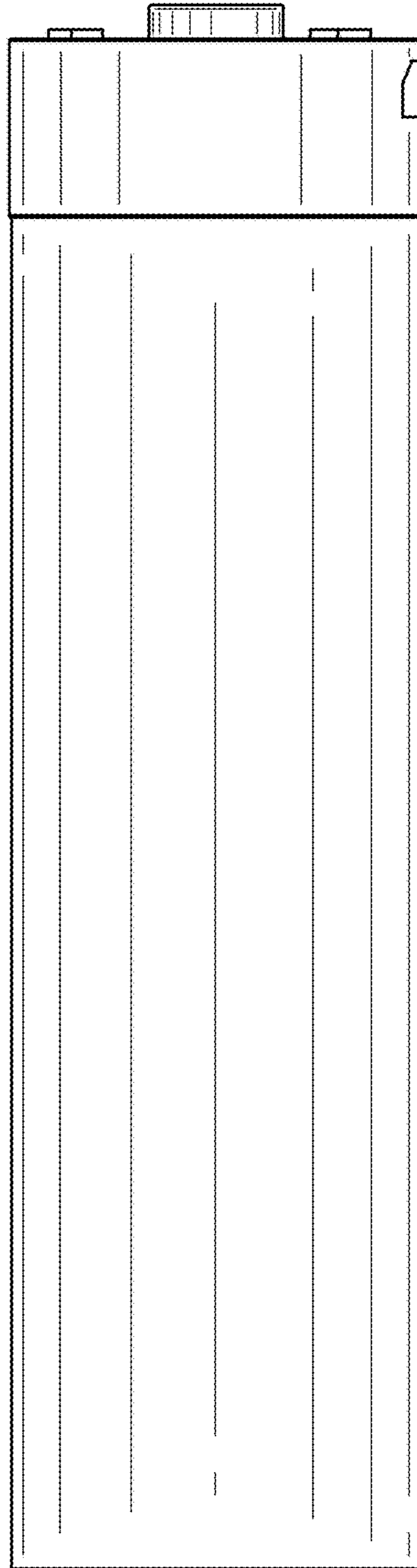


FIG.5

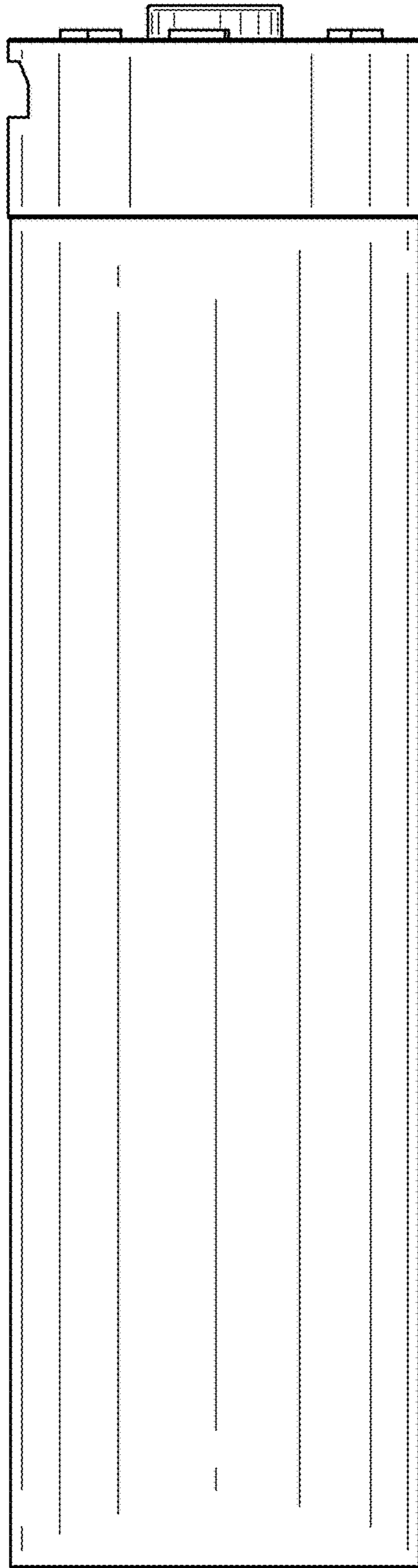


FIG.6

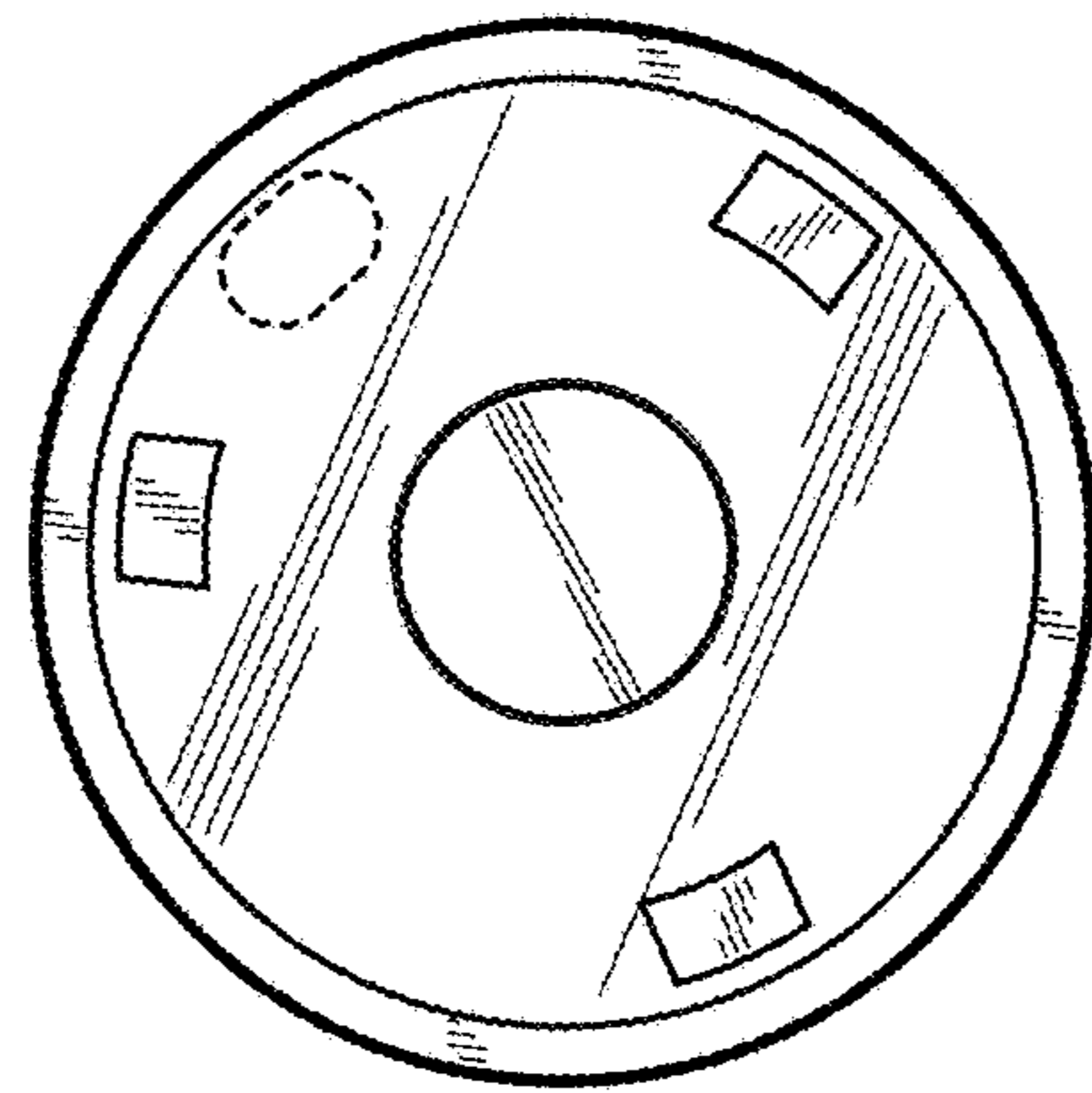


FIG. 7

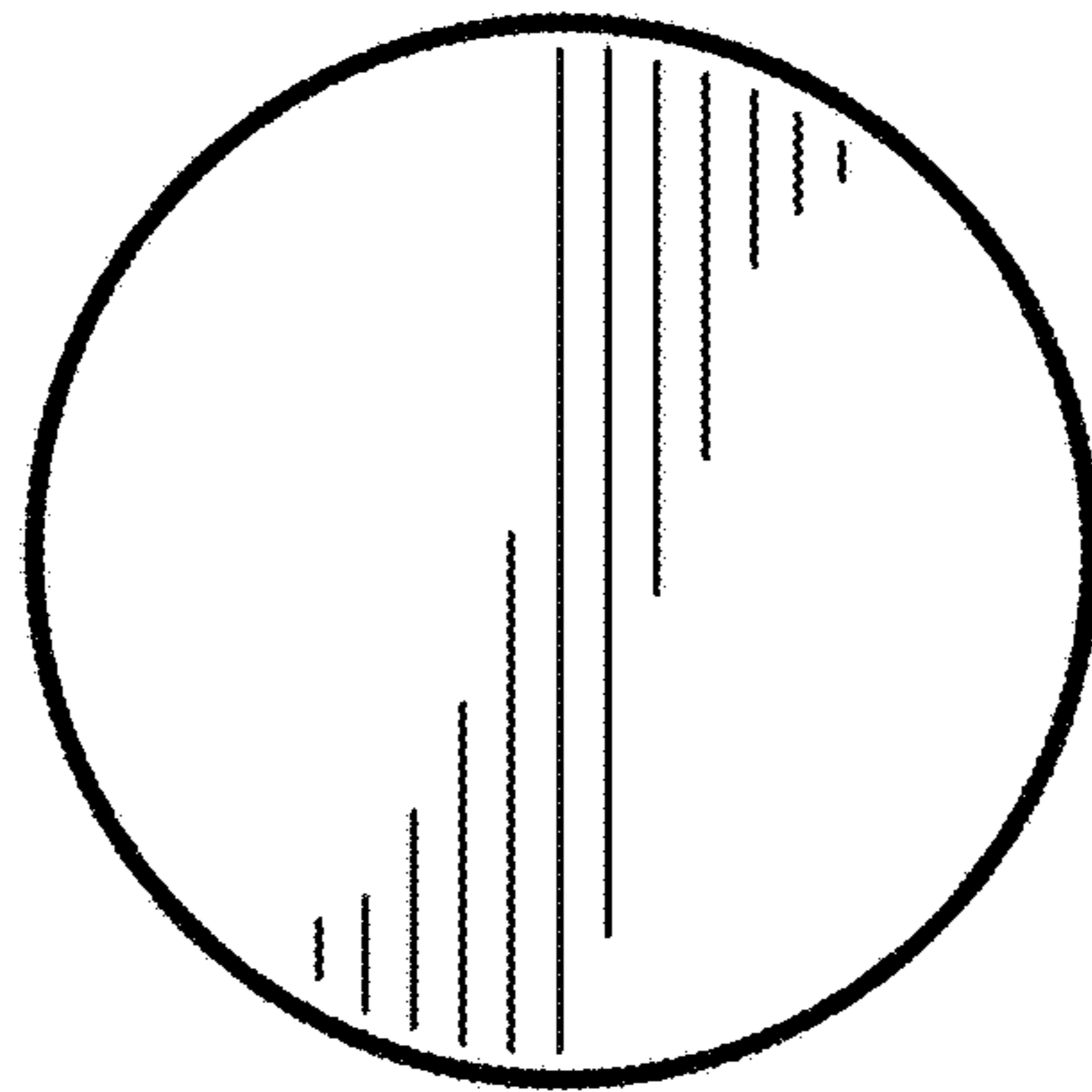


FIG.8