



US00D844553S

(12) **United States Design Patent**
Franklin

(10) **Patent No.:** **US D844,553 S**

(45) **Date of Patent:** **** Apr. 2, 2019**

(54) **PHOTOVOLTAIC PANEL SUPPORT**

(71) Applicant: **LUMOS SOLAR, LLC**, Nederland,
CO (US)

(72) Inventor: **Scott Franklin**, Nederland, CO (US)

(73) Assignee: **LUMOS SOLAR, LLC**, Nederland,
CO (US)

(**) Term: **15 Years**

(21) Appl. No.: **29/638,361**

(22) Filed: **Feb. 27, 2018**

(51) **LOC (11) Cl.** **13-02**

(52) **U.S. Cl.**
USPC **D13/102**

(58) **Field of Classification Search**

USPC D13/101, 102, 103, 104, 105, 106, 118,
D13/184, 199

CPC H01L 31/00; H01L 31/02; H01L 31/042;
H01L 31/045; H01L 31/046; H01L
31/048; H01L 31/05; H01L 31/052; H01L
31/0525; H02S 30/00; H02S 20/10; H02S
20/23; H02S 20/30; H02S 40/34; H02S
40/44; H02S 30/10; F24J 2/52; F03G
6/00

See application file for complete search history.

(56) **References Cited**

U.S. PATENT DOCUMENTS

D408,554 S * 4/1999 Dinwoodie D25/35
D631,824 S * 2/2011 Tanaka D13/102

D663,683 S * 7/2012 Fischer D13/102
D799,419 S * 10/2017 Davies D13/102
2004/0139689 A1 * 7/2004 Sinha H02S 20/10
52/745.15
2015/0090319 A1 * 4/2015 Mizuo F16M 11/02
136/251

* cited by examiner

Primary Examiner — Daniel D Bui

(74) *Attorney, Agent, or Firm* — Hoffmann and Baron,
LLP

(57) **CLAIM**

The ornamental design for a photovoltaic panel support, as shown and described.

DESCRIPTION

FIG. 1 is a top perspective view of a photovoltaic panel support, showing my new design; FIG. 2 is a front elevational view thereof; FIG. 3 is a left side elevational view thereof; FIG. 4 is the right side elevational view thereof; FIG. 5 is a back elevational view thereof; FIG. 6 is a top plan view thereof; and FIG. 7 is a bottom elevational view thereof. FIG. 8 is a top perspective view thereof, in use condition; FIG. 9 is a bottom perspective view thereof, in use condition; and, FIG. 10 is another top perspective view thereof, in use condition.

The broken line shown in the drawing views is for the purpose of illustrating unclaimed environment only and forms no part of the claimed design.

1 Claim, 10 Drawing Sheets

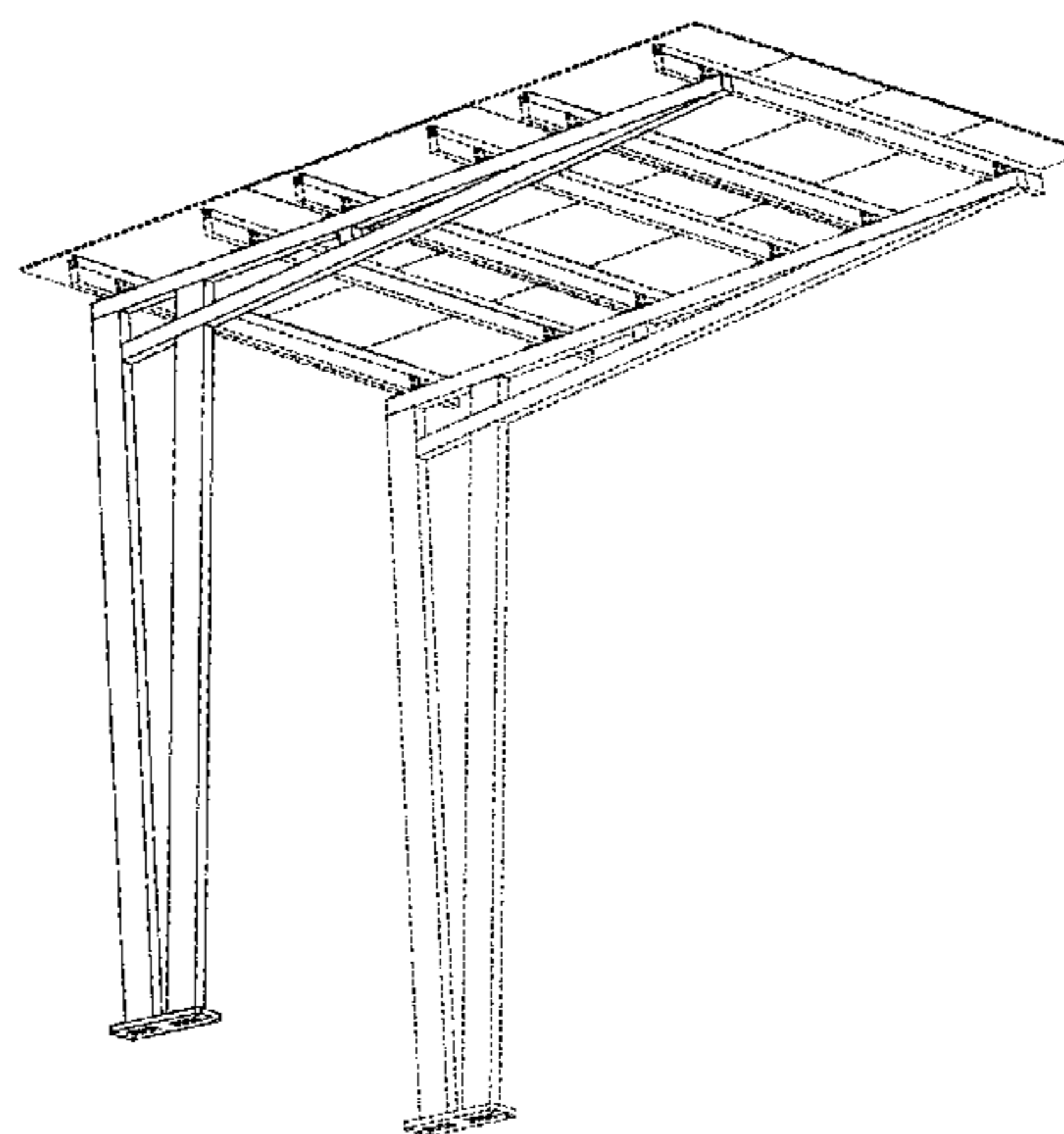
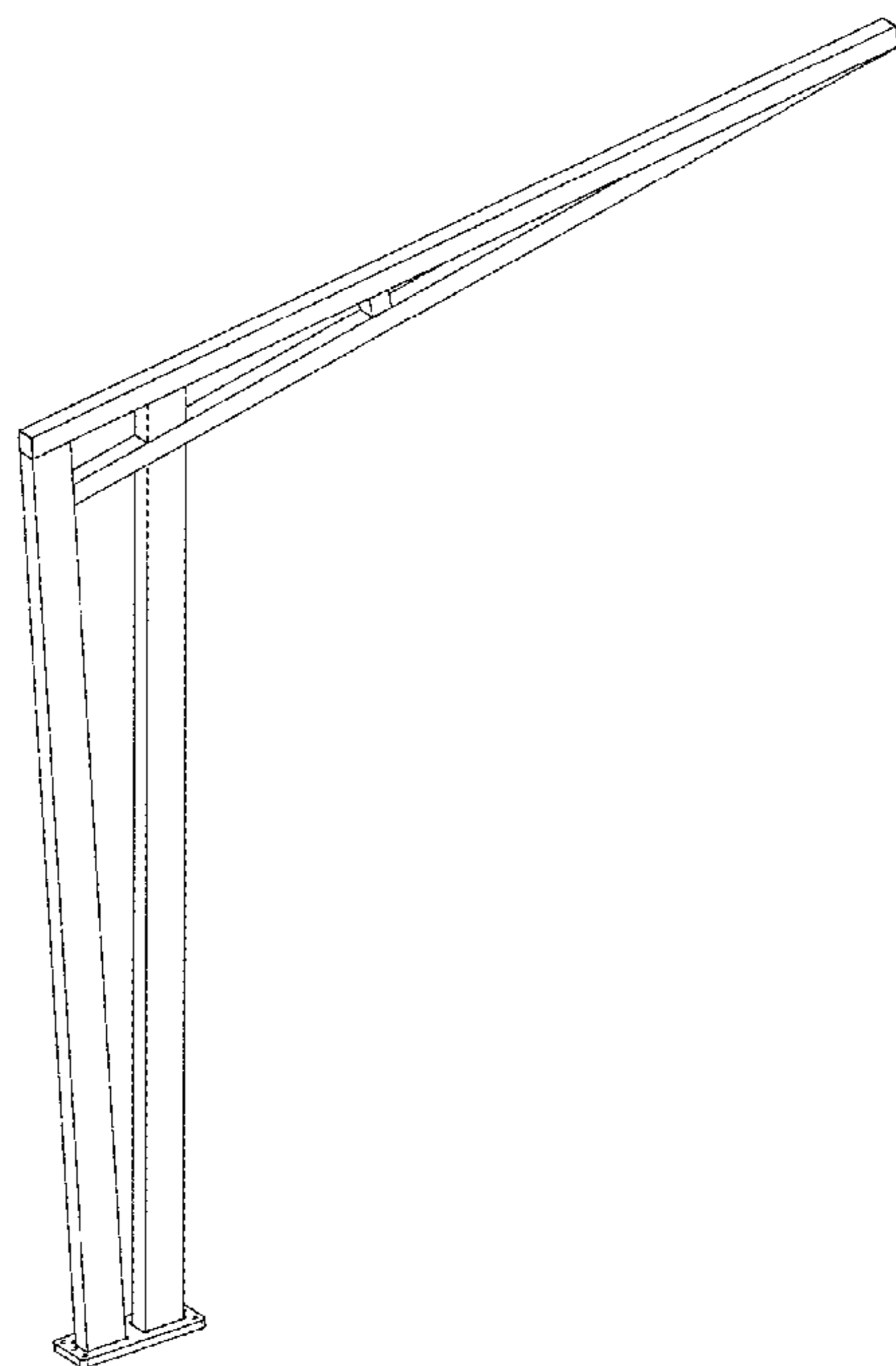


FIG 1

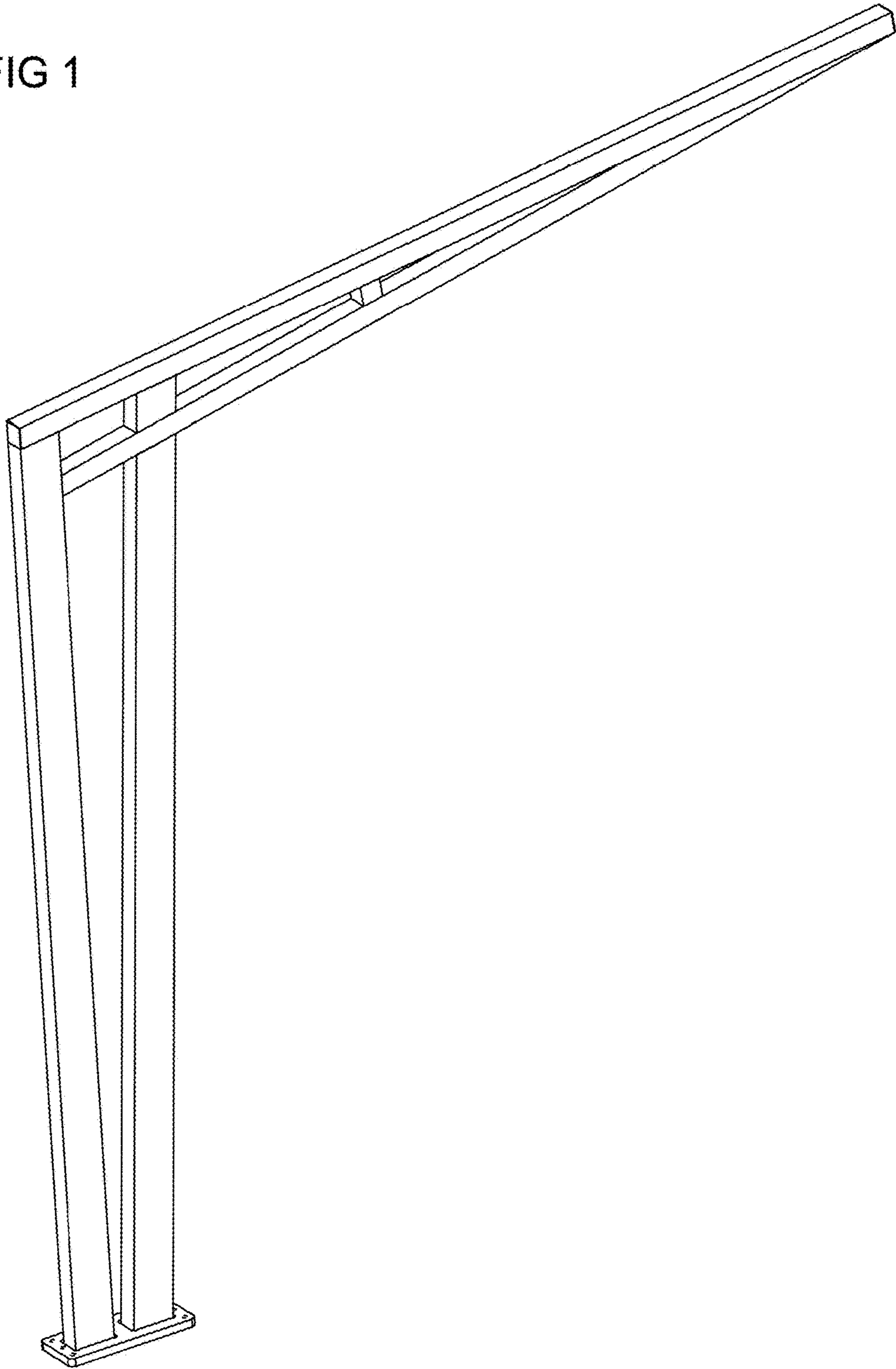


FIG 2

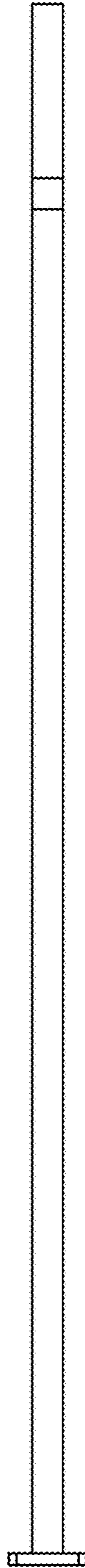


FIG 3

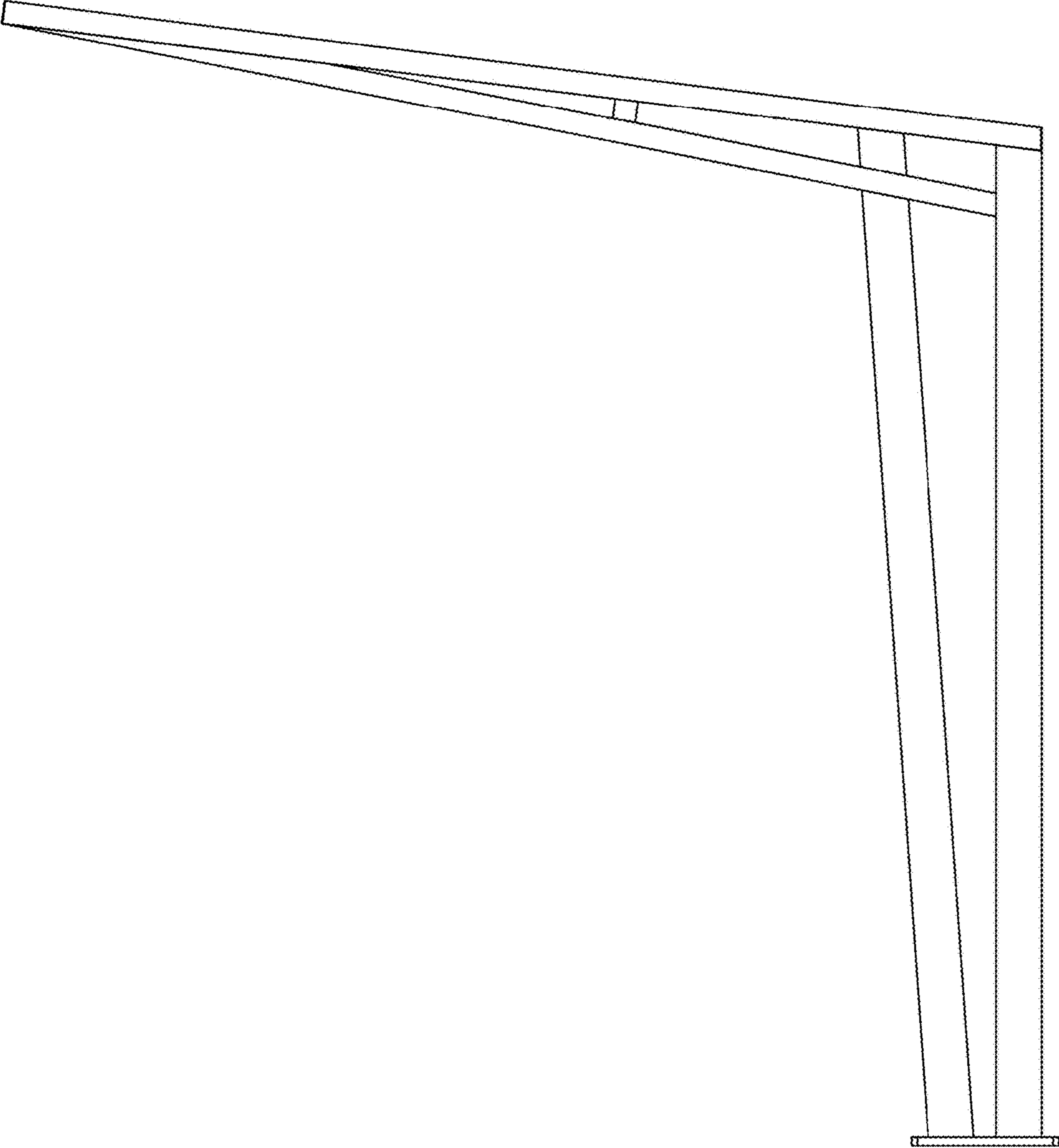


FIG 4

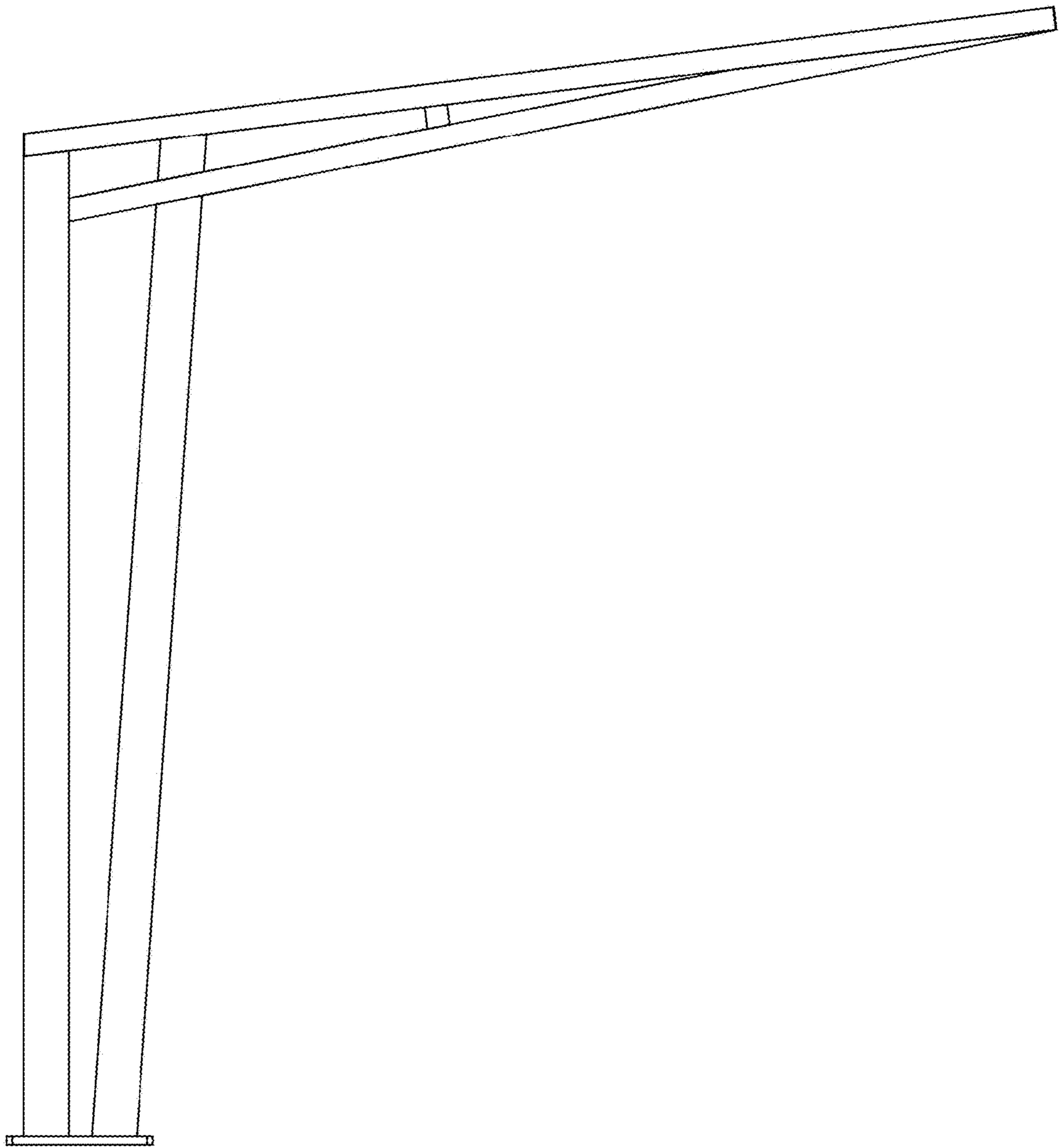


FIG 5

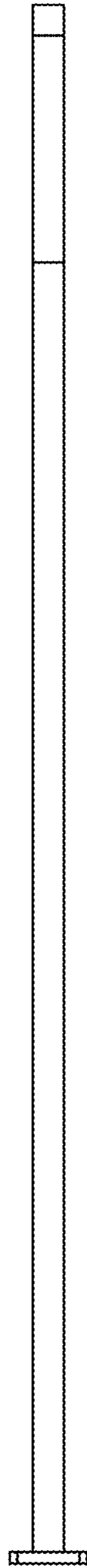


FIG 6

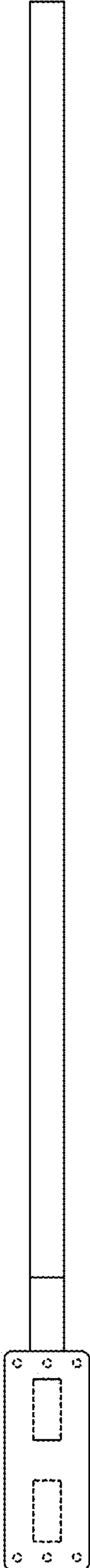


FIG 7

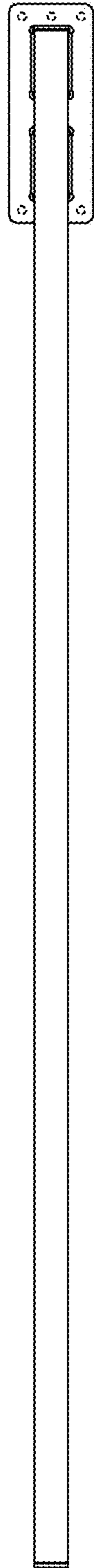


FIG 8

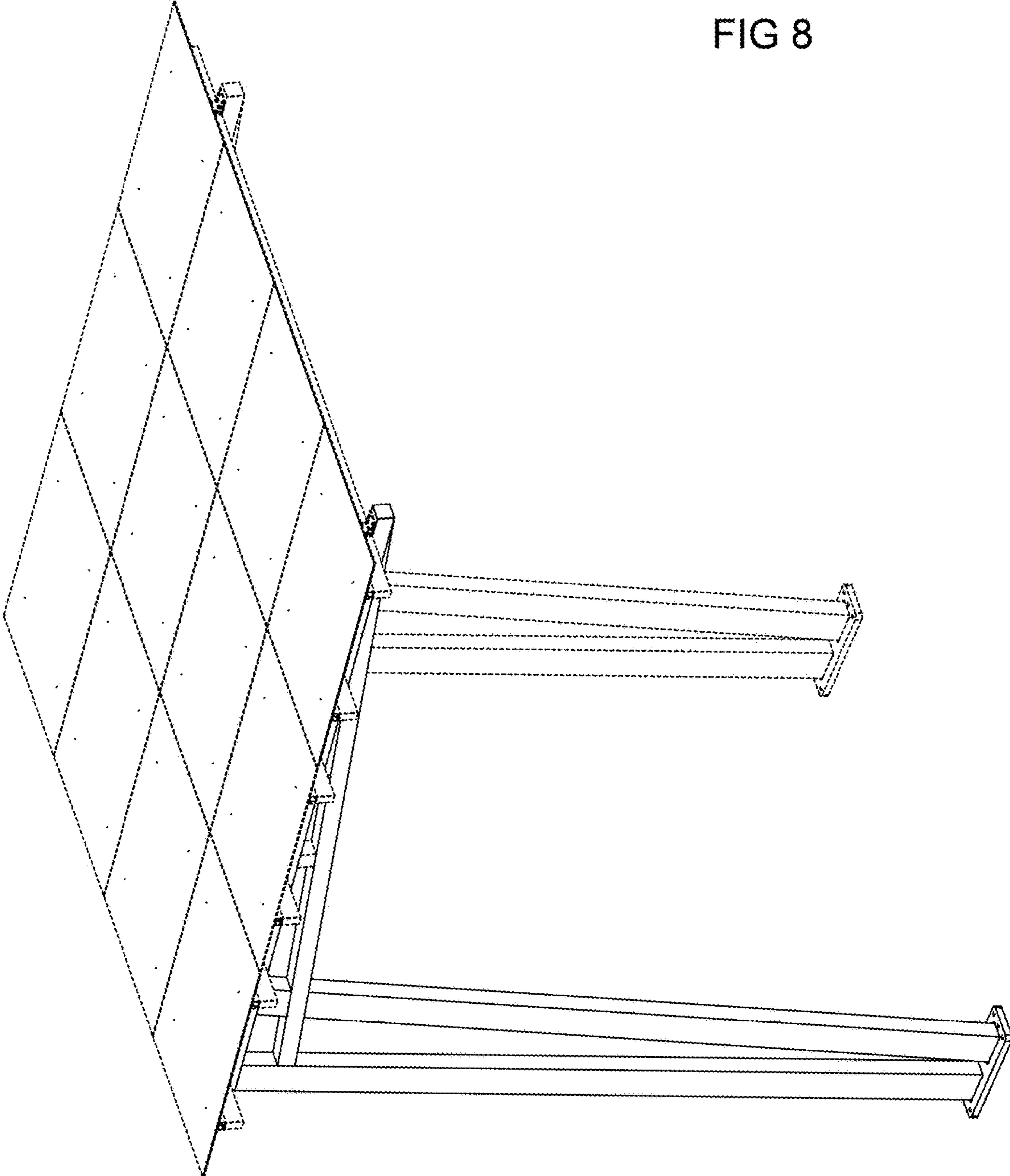


FIG 9

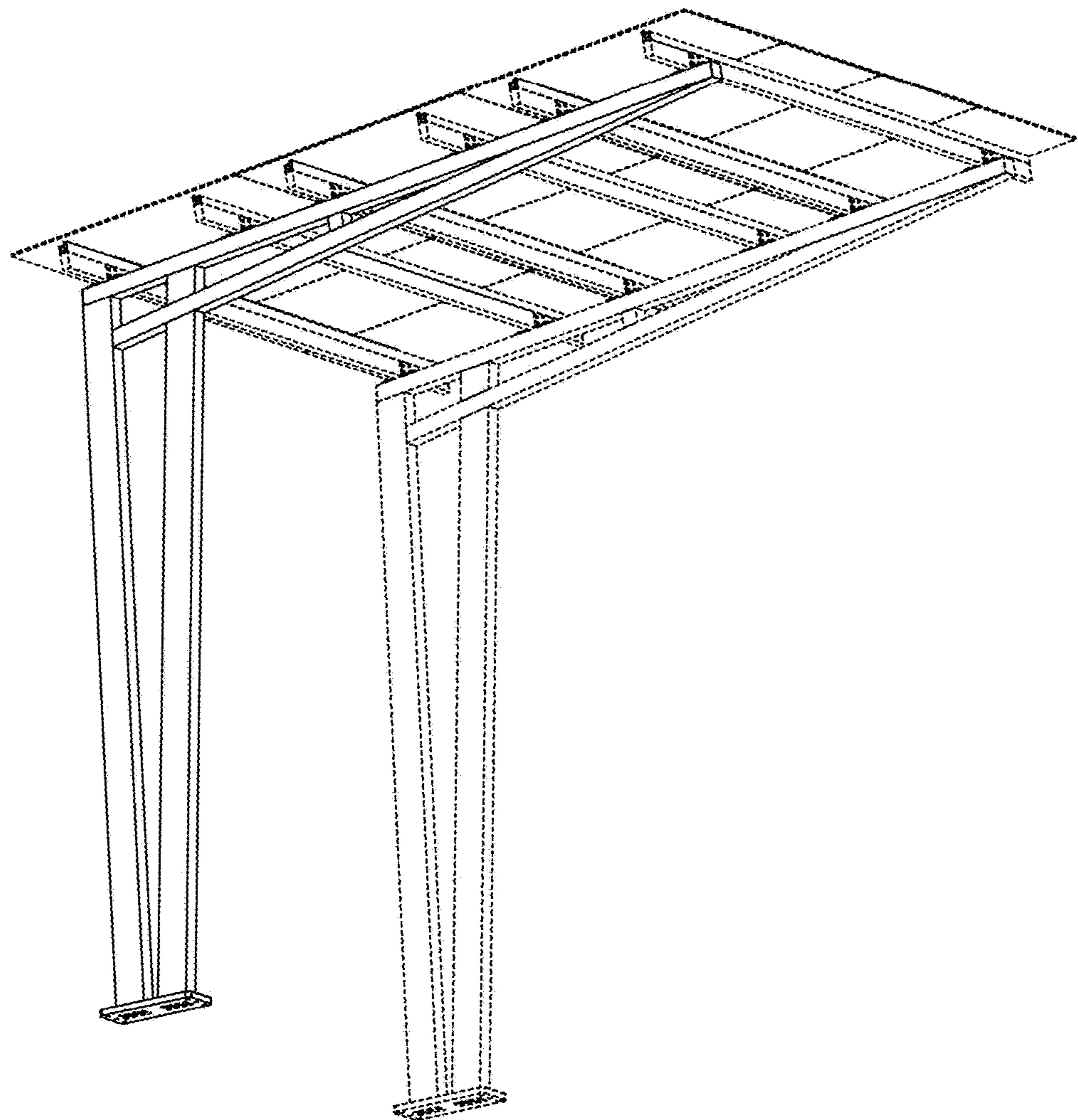


FIG 10

