



US00D844552S

(12) **United States Design Patent**
Franklin

(10) **Patent No.:** **US D844,552 S**

(45) **Date of Patent:** **** Apr. 2, 2019**

(54) **PHOTOVOLTAIC PANEL SUPPORT**

(71) Applicant: **LUMOS SOLAR, LLC**, Nederland,
CO (US)

(72) Inventor: **Scott Franklin**, Nederland, CO (US)

(73) Assignee: **LUMOS SOLAR, LLC**, Nederland,
CO (US)

(**) Term: **15 Years**

(21) Appl. No.: **29/638,348**

(22) Filed: **Feb. 27, 2018**

(51) **LOC (11) Cl.** **13-02**

(52) **U.S. Cl.**
USPC **D13/102**

(58) **Field of Classification Search**
USPC D13/101, 102, 103, 104, 105, 106, 118,
D13/184, 199
CPC H01L 31/00; H01L 31/02; H01L 31/042;
H01L 31/045; H01L 31/046; H01L
31/048; H01L 31/05; H01L 31/052; H01L
31/0525; H02S 30/00; H02S 20/10; H02S
20/23; H02S 20/30; H02S 40/34; H02S
40/44; H02S 30/10; F24J 2/52; F03G
6/00

See application file for complete search history.

(56) **References Cited**

U.S. PATENT DOCUMENTS

D611,405 S *	3/2010	Mackler	D13/102
D649,929 S *	12/2011	Haftner	D13/102
D649,930 S *	12/2011	Lindor	D13/102
D657,736 S *	4/2012	Mackler	D13/102
D657,737 S *	4/2012	Mackler	D13/102

D657,738 S *	4/2012	Mackler	D13/102
D698,308 S *	1/2014	Crider	D13/102
D718,229 S *	11/2014	Thompson	D13/102
D738,820 S *	9/2015	Beck	D13/102
D751,976 S *	3/2016	Mackler	D13/102
D825,448 S *	8/2018	Mackler	D13/102

* cited by examiner

Primary Examiner — Daniel D Bui

(74) *Attorney, Agent, or Firm* — Hoffmann & Baron, LLP

(57) **CLAIM**

The ornamental design for a photovoltaic panel support, as shown and described.

DESCRIPTION

FIG. 1 is a top perspective view of a photovoltaic panel support, showing my new design;
FIG. 2 is a front elevational view thereof;
FIG. 3 is a left side elevational view thereof,
FIG. 4 is the right side elevational view thereof;
FIG. 5 is a back elevational view thereof;
FIG. 6 is a top plan view thereof; and
FIG. 7 is a bottom elevational view thereof.
FIG. 8 is a top perspective view thereof, in use condition;
FIG. 9 is a bottom perspective view thereof, in use condition; and,
FIG. 10 is another top perspective view thereof, in use condition.

The broken line shown in the drawing views is for the purpose of illustrating unclaimed environment only and forms no part of the claimed design. The bolts and nuts shown in the various views form no part of the claimed design.

1 Claim, 10 Drawing Sheets

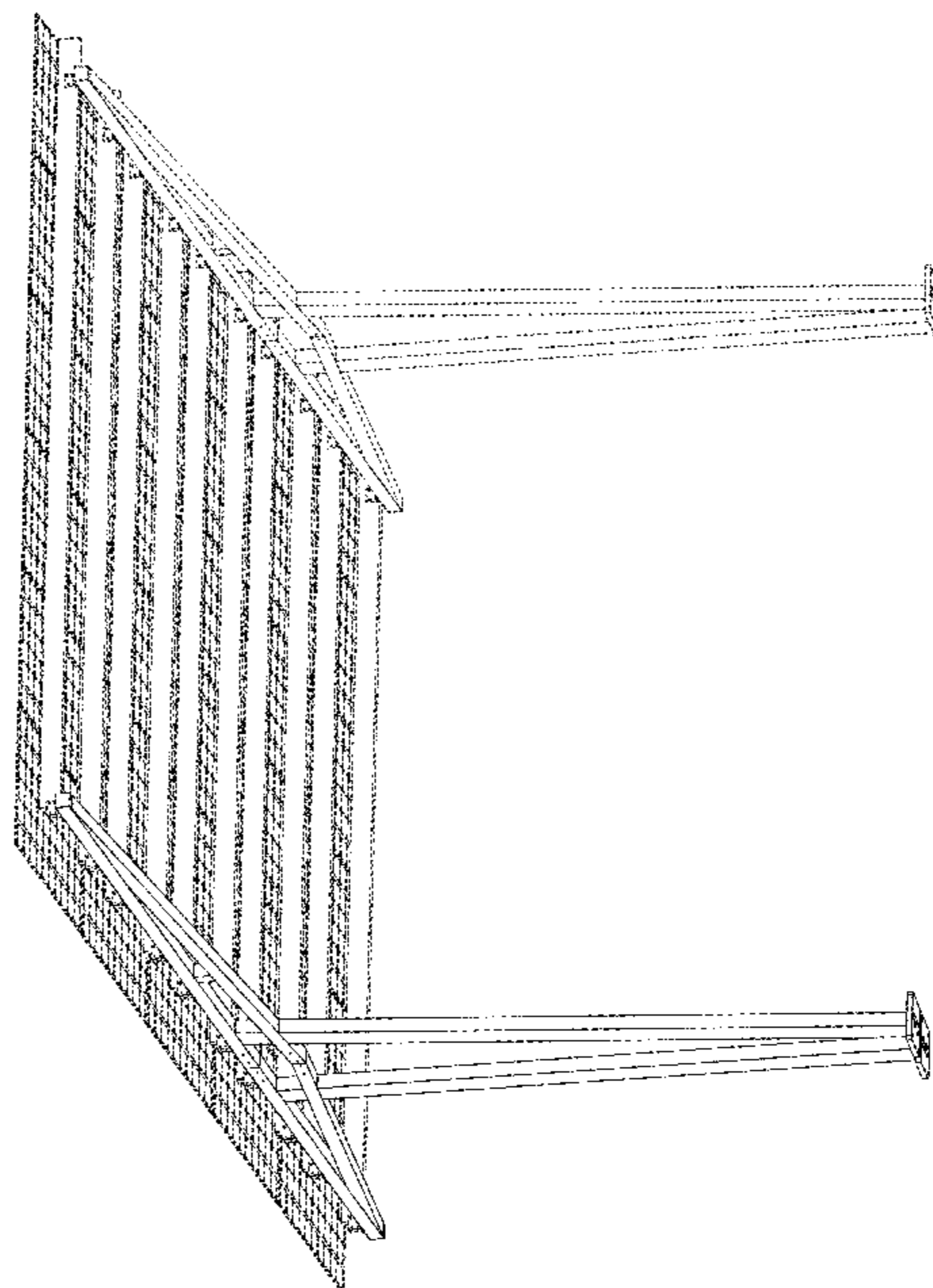
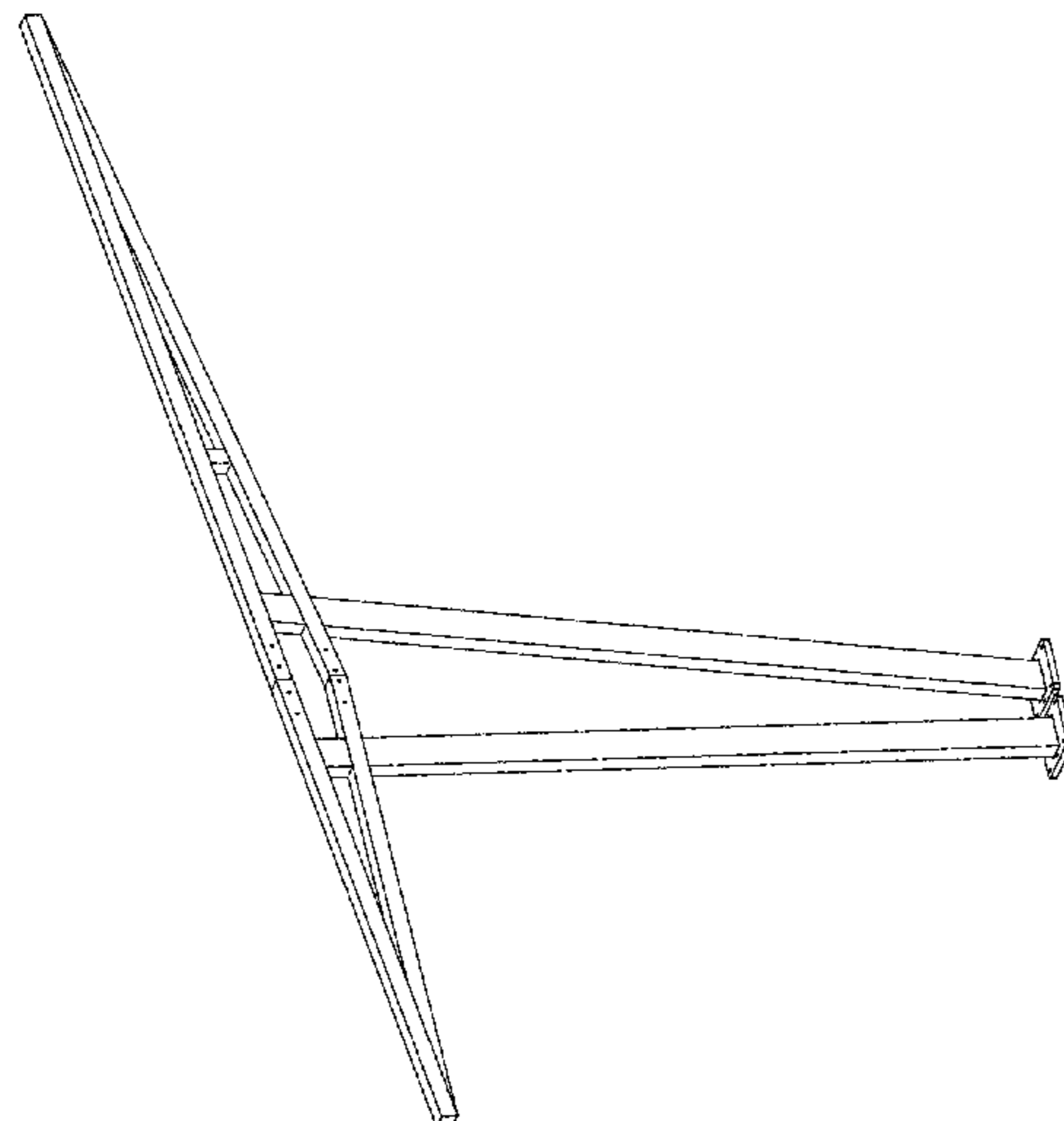
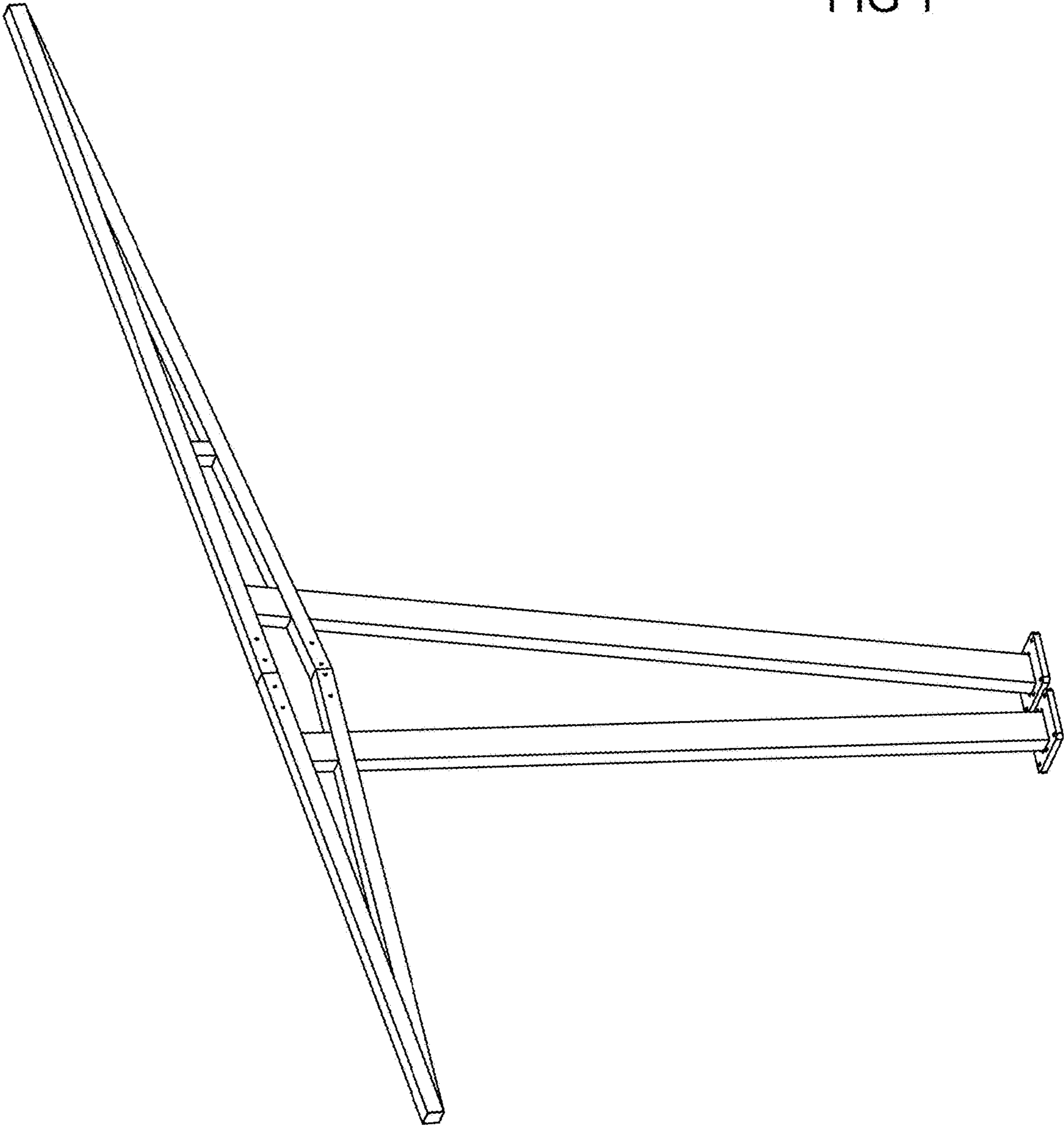


FIG 1



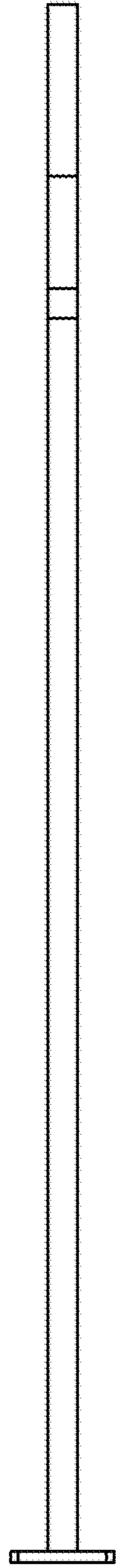


FIG 2

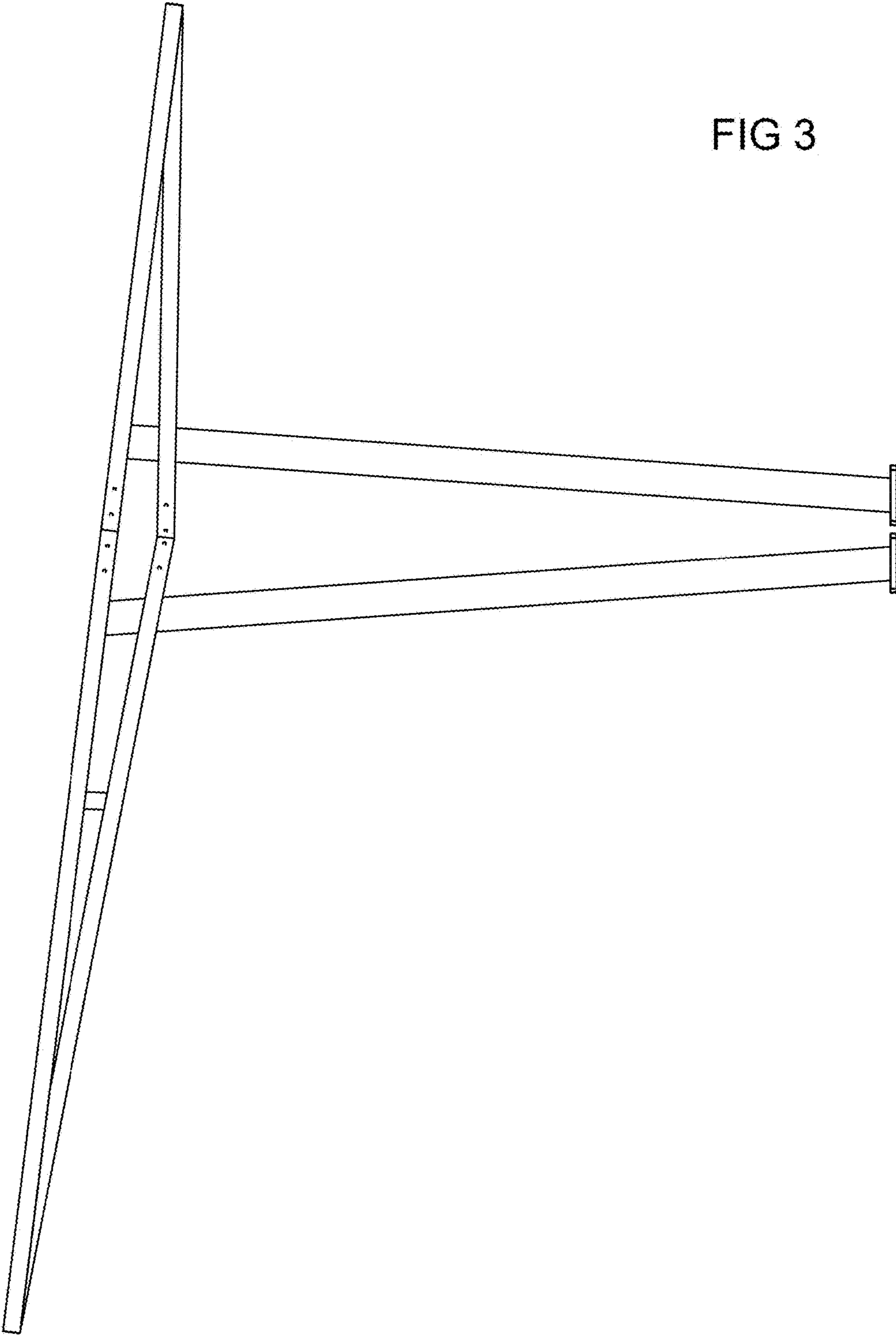


FIG 3

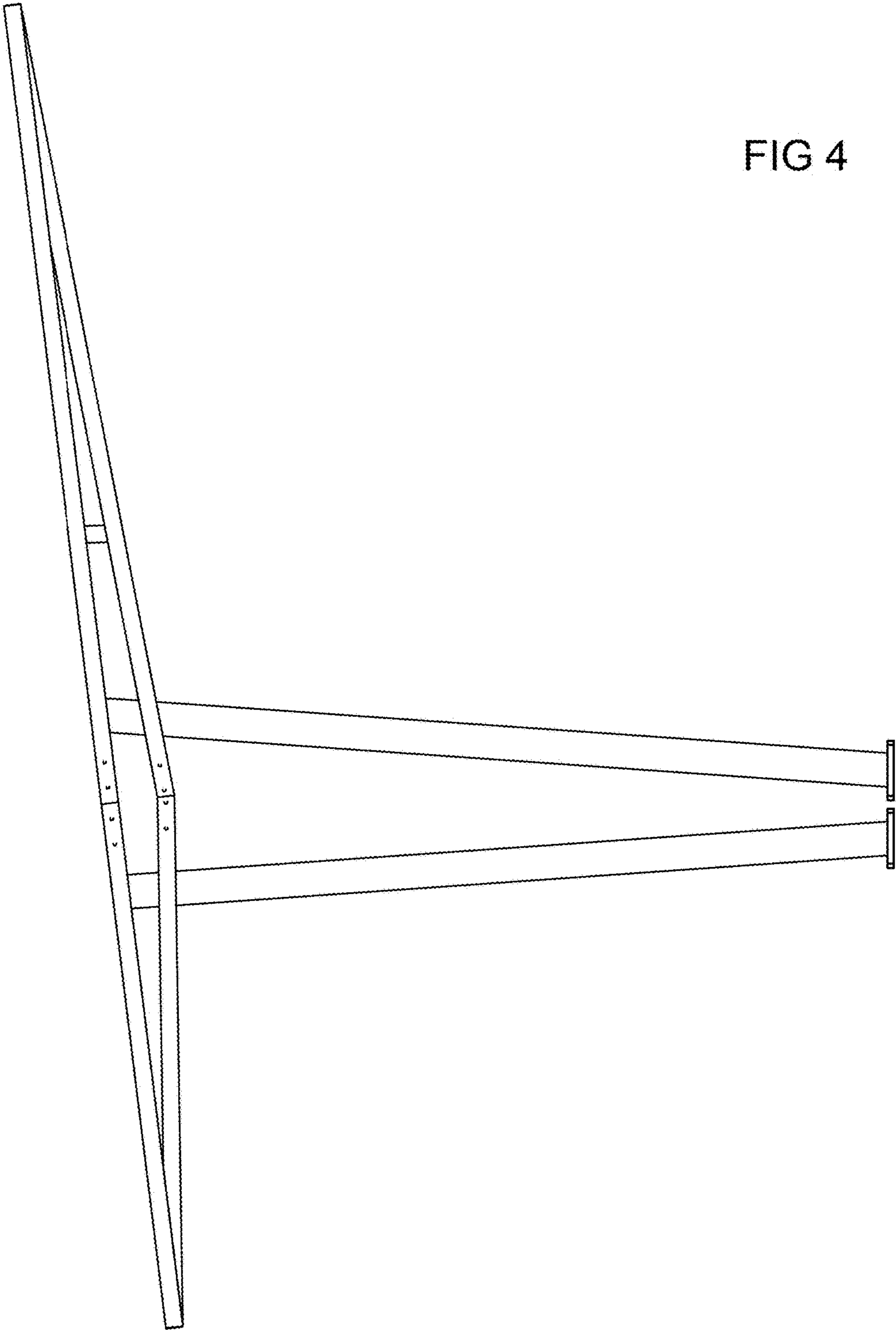


FIG 4

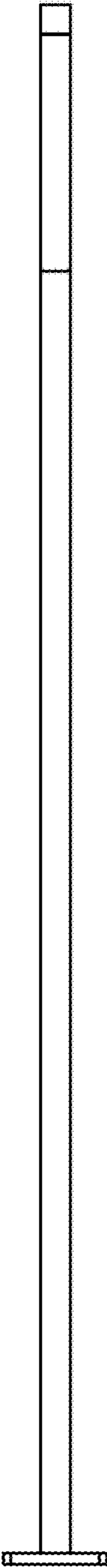


FIG 5

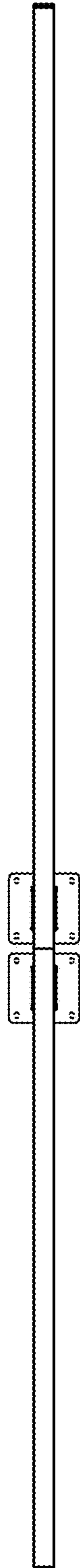


FIG 6

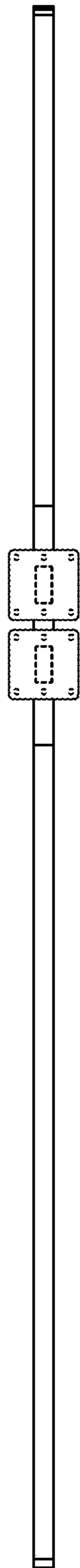


FIG 7

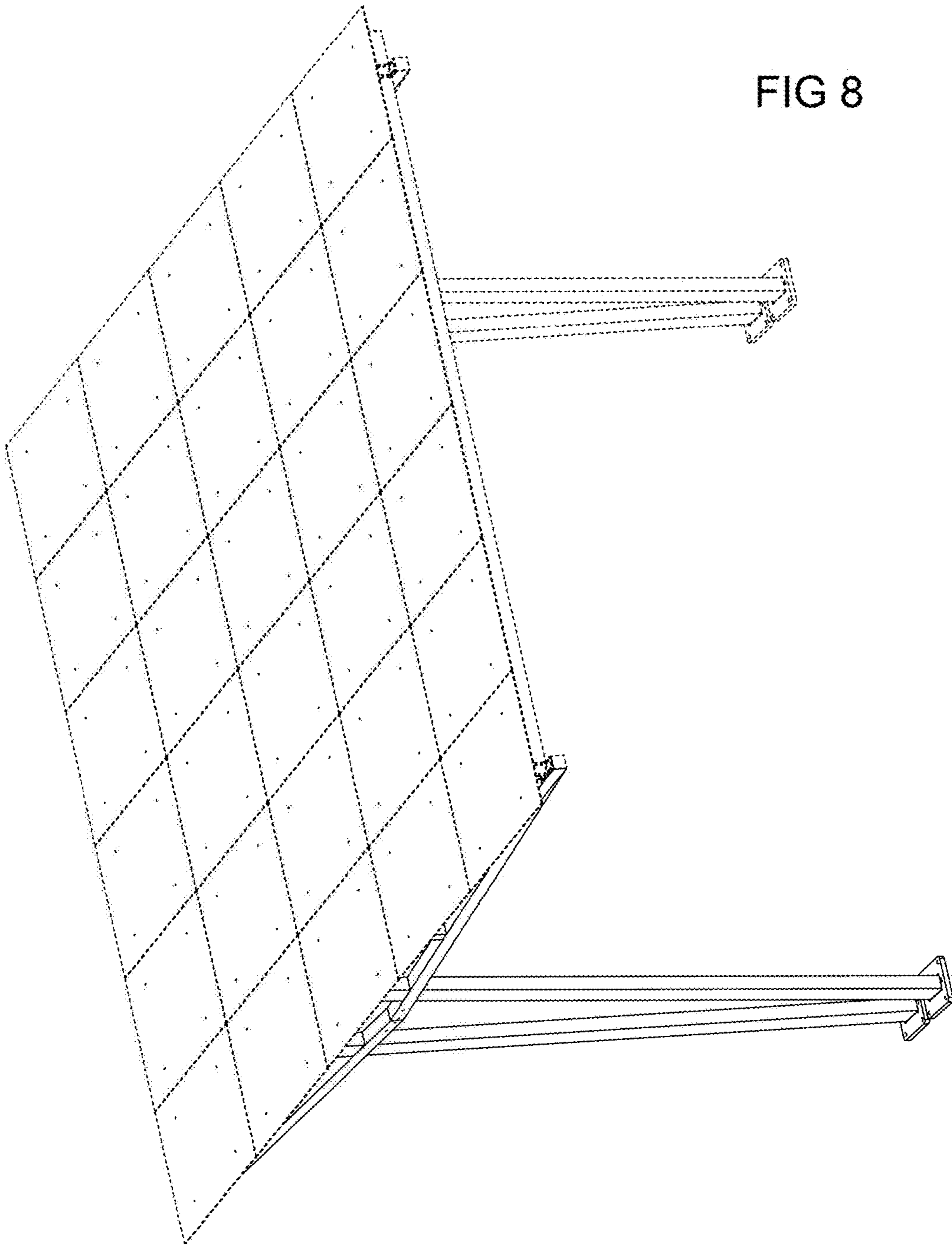


FIG 8

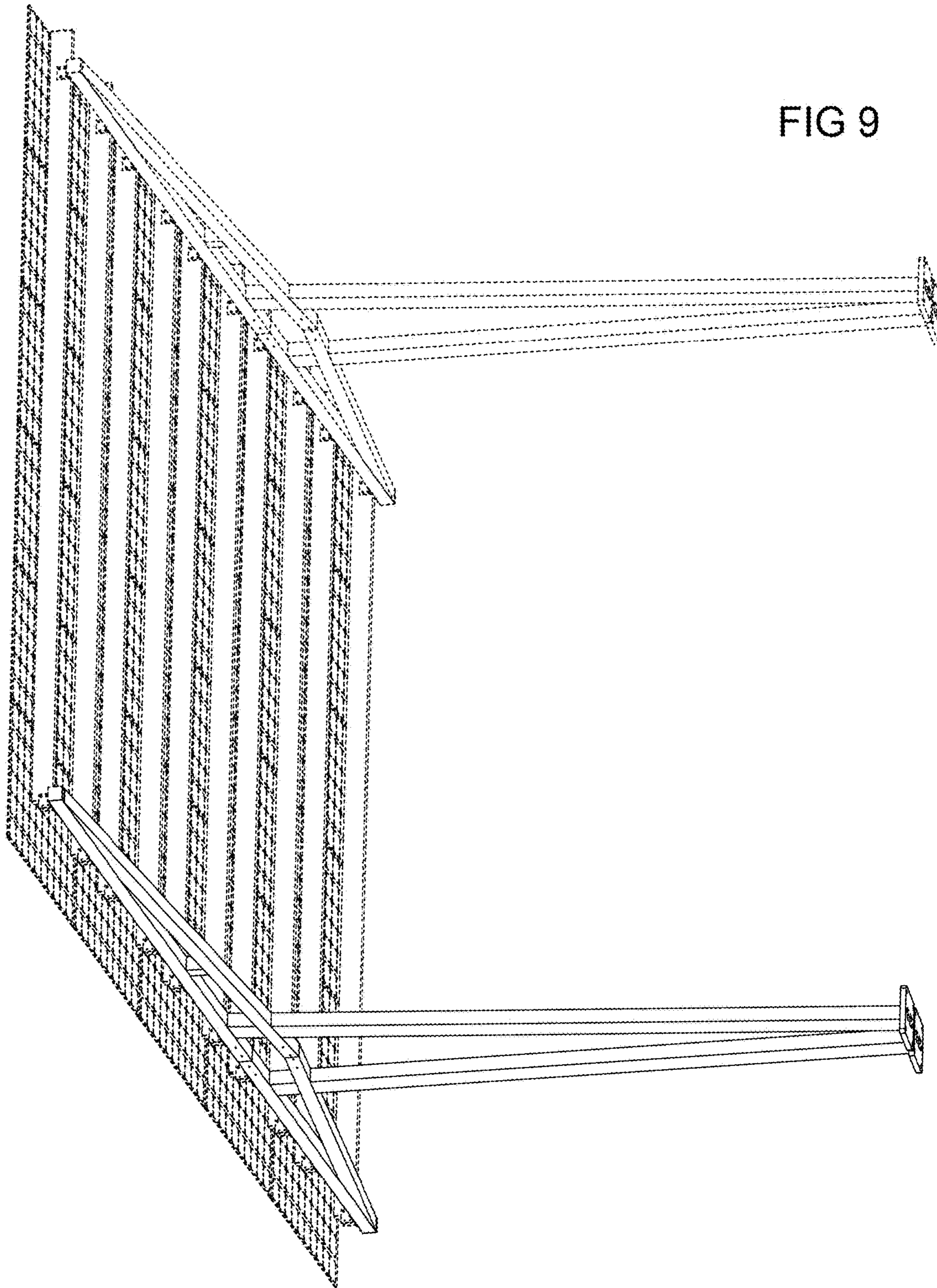


FIG 9

