



US00D844545S

(12) **United States Design Patent**  
**Uchiyama**

(10) **Patent No.:** **US D844,545 S**

(45) **Date of Patent:** **\*\* Apr. 2, 2019**

(54) **TIRE TREAD**

(71) Applicant: **BRIDGESTONE CORPORATION,**  
Tokyo (JP)

(72) Inventor: **Masataka Uchiyama,** Tokyo (JP)

(73) Assignee: **BRIDGESTONE CORPORATION,**  
Chuo-ku, Tokyo (JP)

(\*\*) Term: **15 Years**

(21) Appl. No.: **29/608,224**

(22) Filed: **Jun. 20, 2017**

(30) **Foreign Application Priority Data**

Dec. 21, 2016 (JP) ..... 2016-027781

(51) **LOC (11) Cl.** ..... **12-15**

(52) **U.S. Cl.**  
USPC ..... **D12/579**

(58) **Field of Classification Search**  
USPC ..... D12/544, 545, 579, 580, 600  
CPC ..... B60C 11/11  
See application file for complete search history.

(56) **References Cited**

**U.S. PATENT DOCUMENTS**

D430,832 S *	9/2000	Edwards	.....	D12/579
D450,273 S *	11/2001	Guspodin	.....	D12/579
D455,681 S *	4/2002	Guspodin	.....	D12/579
D492,931 S *	7/2004	Maxwell	.....	D12/579
D571,713 S *	6/2008	Rodicq	.....	D12/579
D580,347 S *	11/2008	Lo	.....	D12/579
D627,709 S *	11/2010	Harvey	.....	D12/579

D756,898 S *	5/2016	Kristen	.....	D12/579
D772,790 S *	11/2016	Scheifele	.....	D12/579
D780,098 S *	2/2017	Sareen	.....	D12/579
D783,510 S *	4/2017	Thornburg	.....	D12/579
D792,837 S *	7/2017	Thompson	.....	D12/579
D795,169 S *	8/2017	Schultz	.....	D12/579
D806,006 S *	12/2017	Ronan	.....	D12/579
D810,669 S *	2/2018	Johnson	.....	D12/579
D815,587 S *	4/2018	Lo	.....	D12/536
D816,018 S *	4/2018	Chiang	.....	D12/579

**FOREIGN PATENT DOCUMENTS**

JP 811476 S 4/1991

\* cited by examiner

*Primary Examiner* — Robert M. Spear

(74) *Attorney, Agent, or Firm* — Sughrue Mion, PLLC

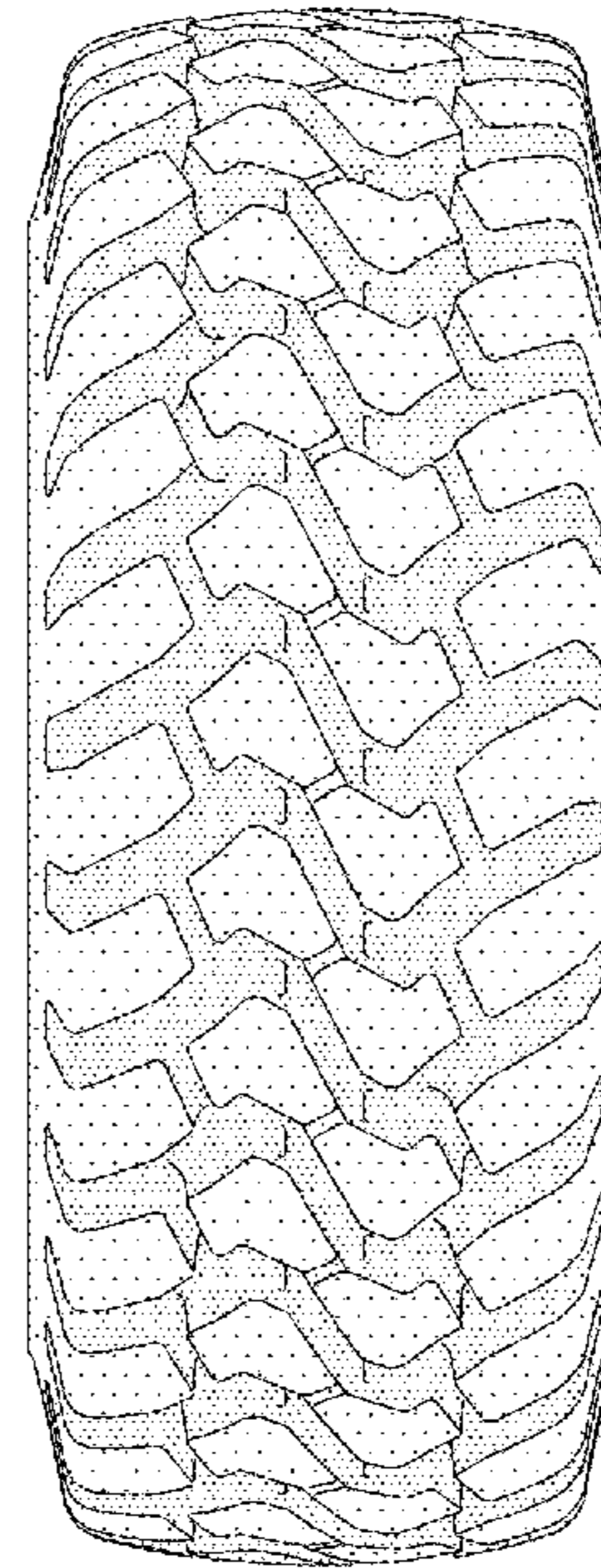
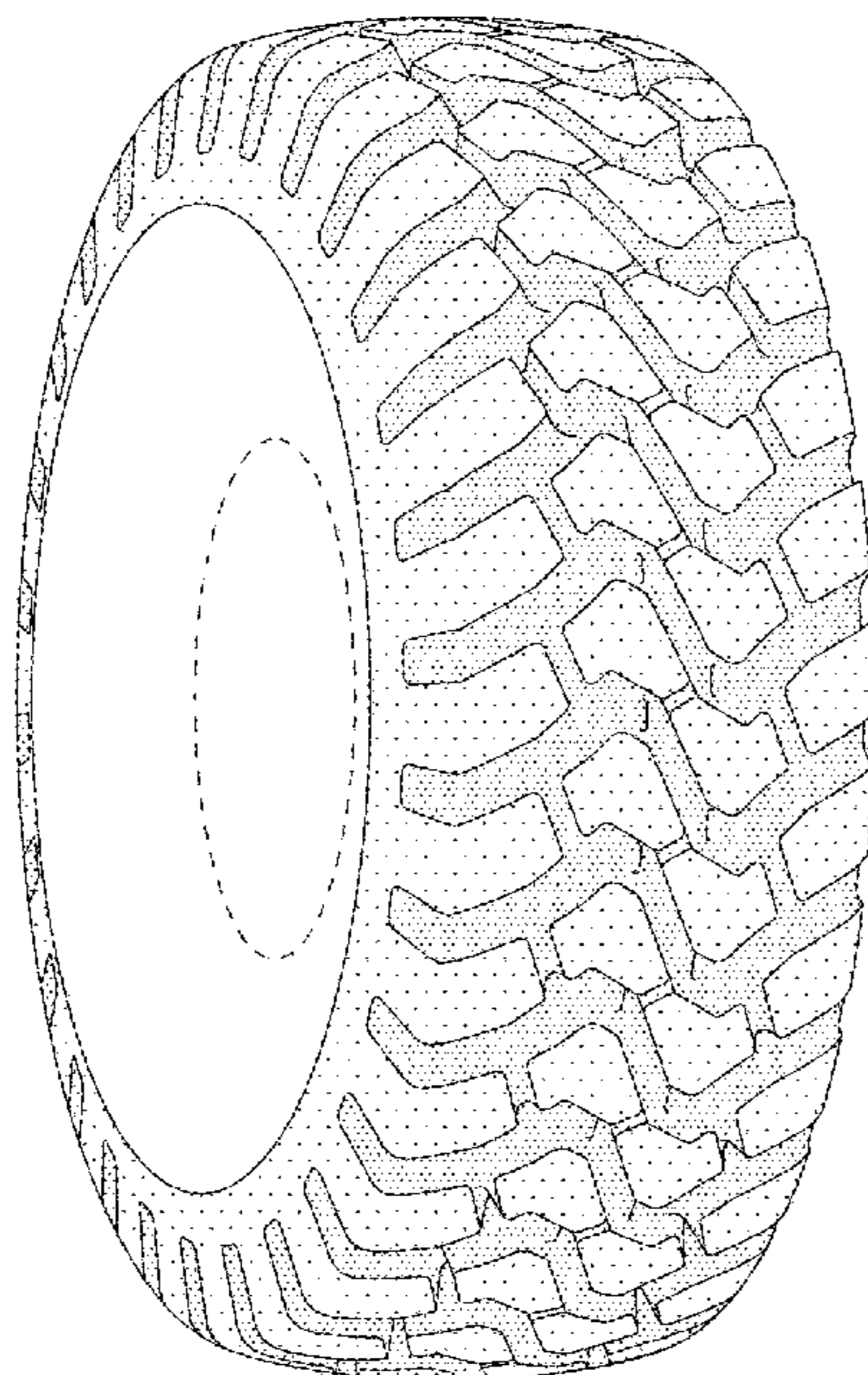
(57) **CLAIM**

The ornamental design for a tire tread, as shown and described.

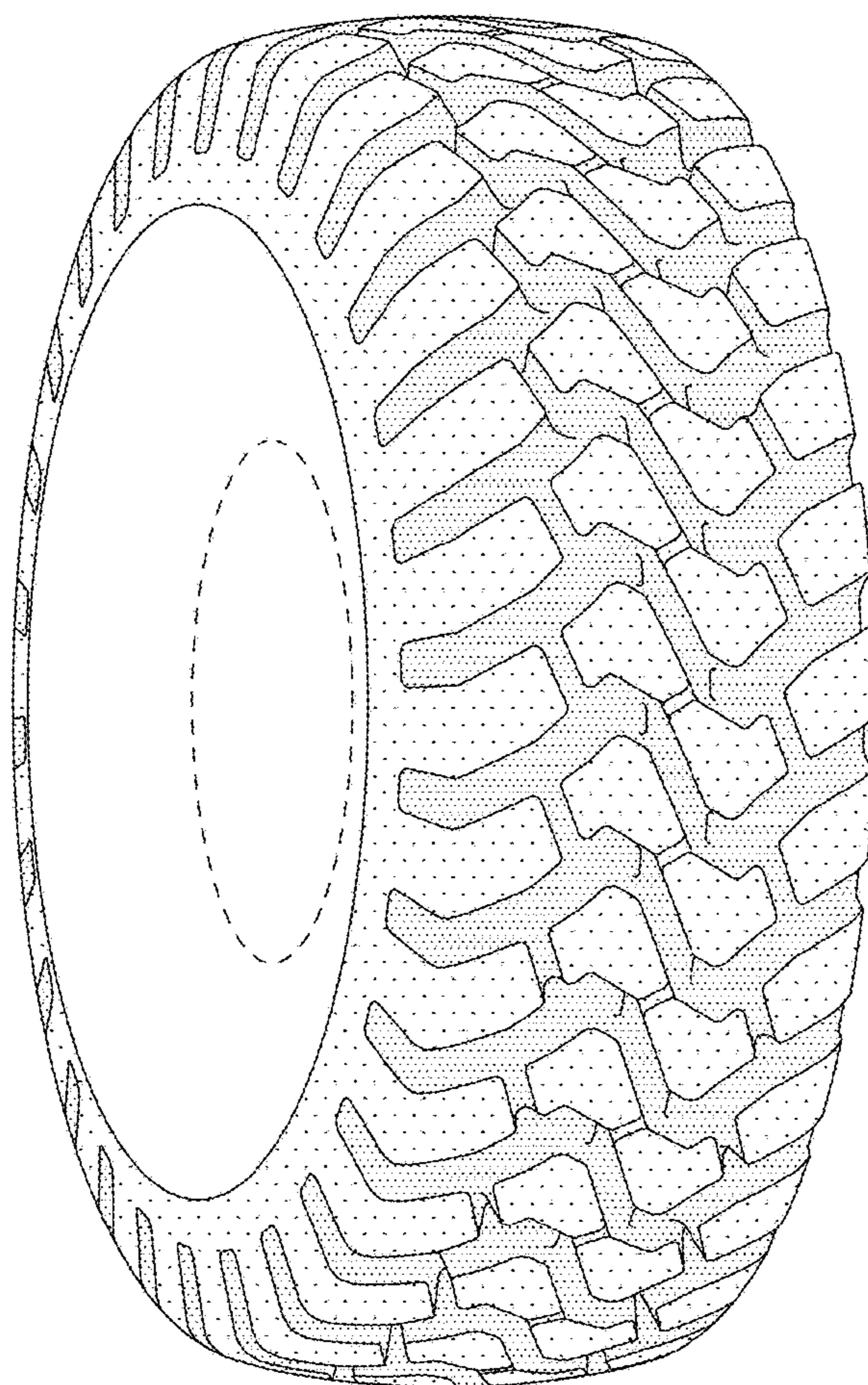
**DESCRIPTION**

FIG. 1 is a perspective view of a tire tread showing my new design;  
 FIG. 2 is a front view thereof;  
 FIG. 3 is a top view thereof;  
 FIG. 4 is a right side view thereof;  
 FIG. 5 is a left side view thereof;  
 FIG. 6 is a fragmentary enlarged front view showing the details of the tread thereof;  
 FIG. 7 is a section view taken along line 7-7 in FIG. 6; and,  
 FIG. 8 is a section view taken along line 8-8 in FIG. 6.  
 The broken lines are used to show environment, and thus form no part of the claimed design.

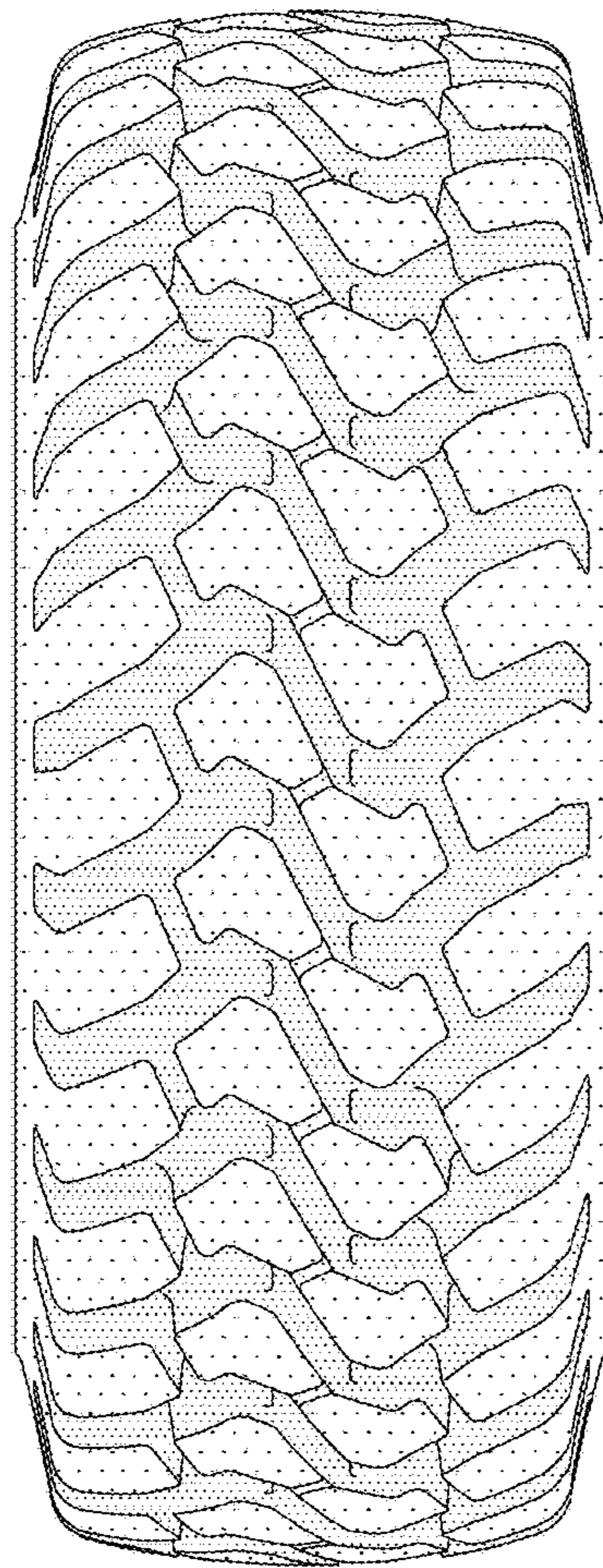
**1 Claim, 8 Drawing Sheets**



*FIG. 1*

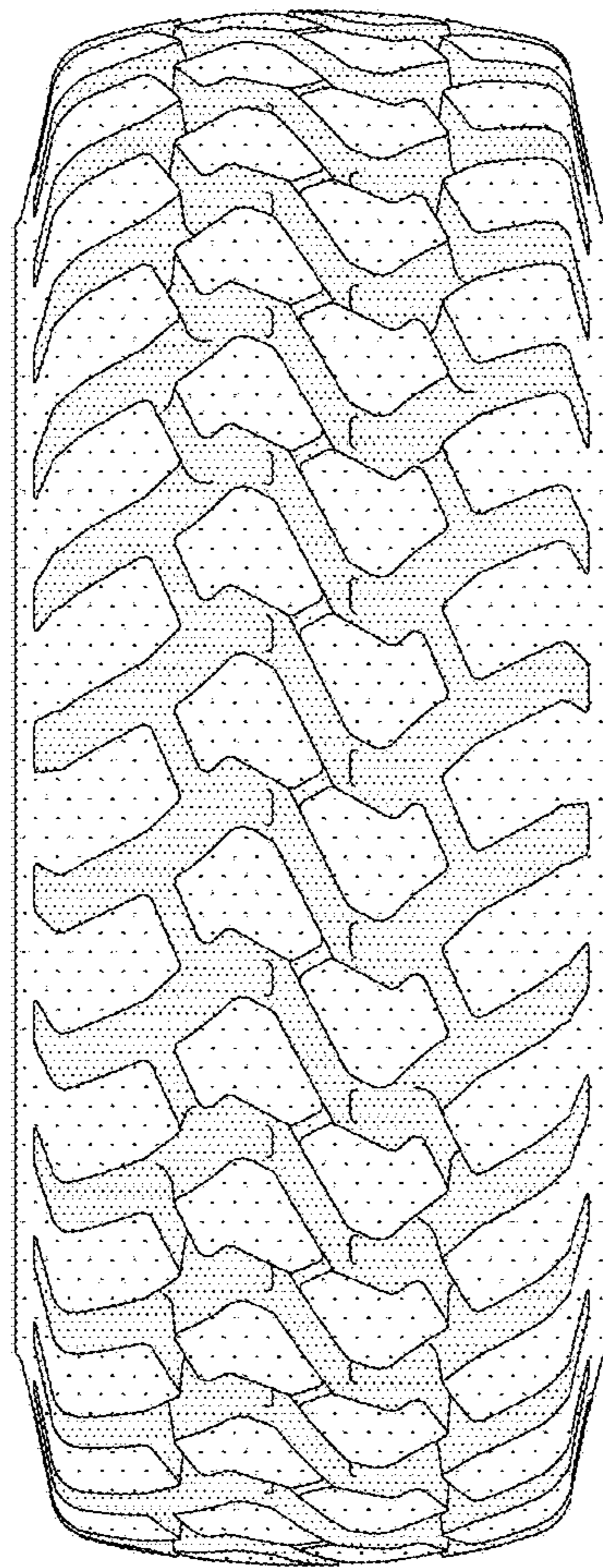


*FIG. 2*

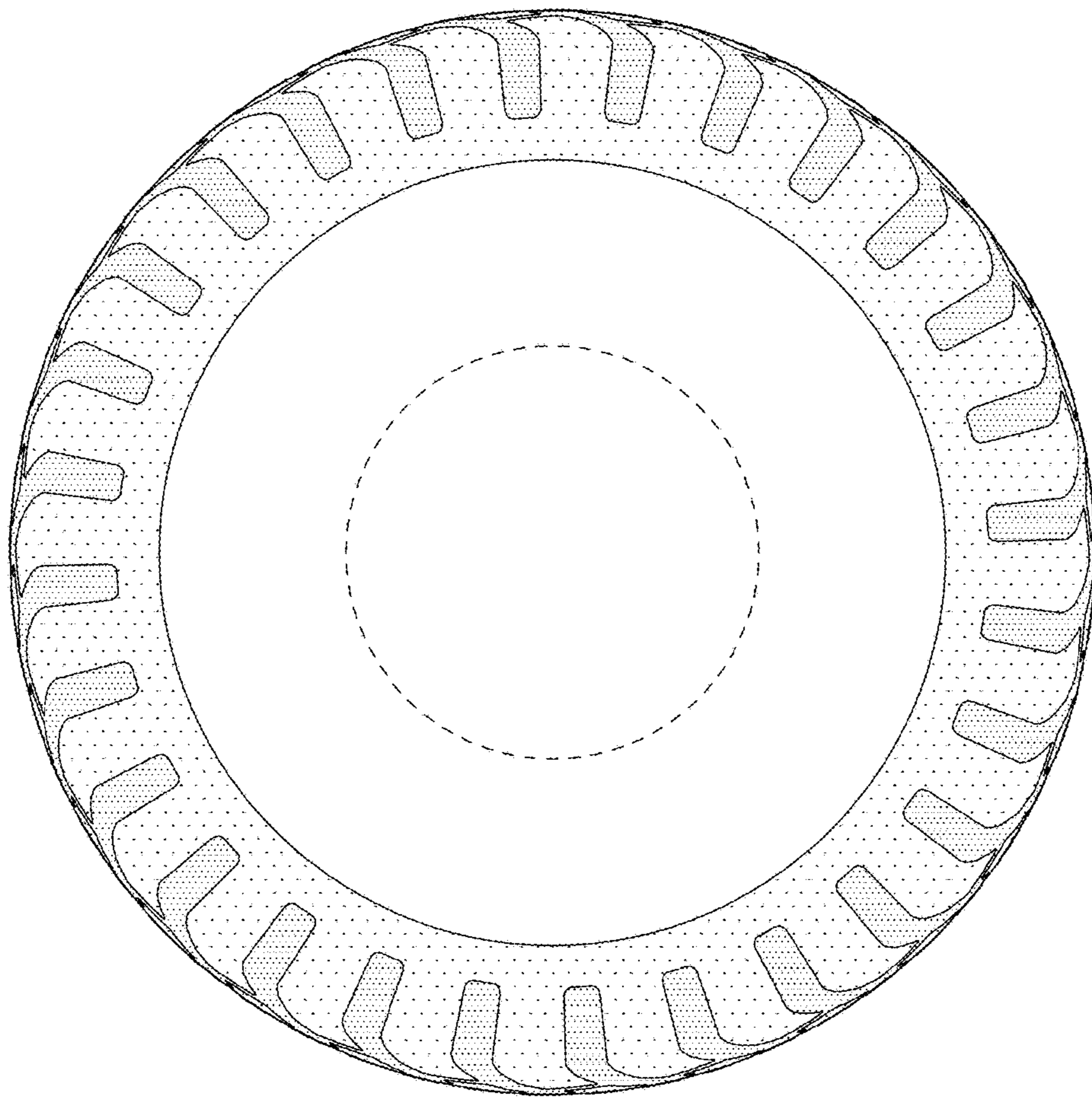




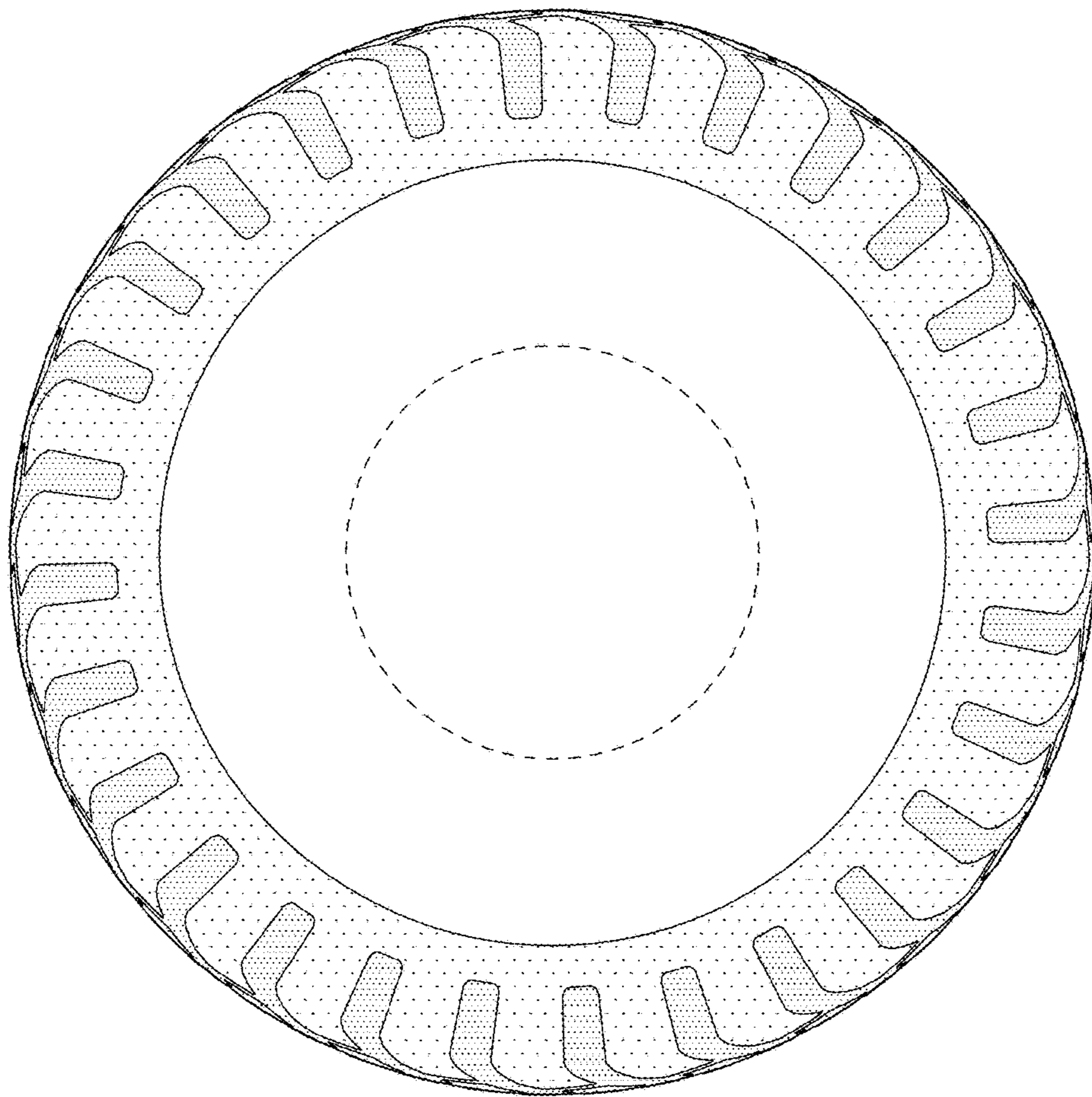
*FIG. 3*



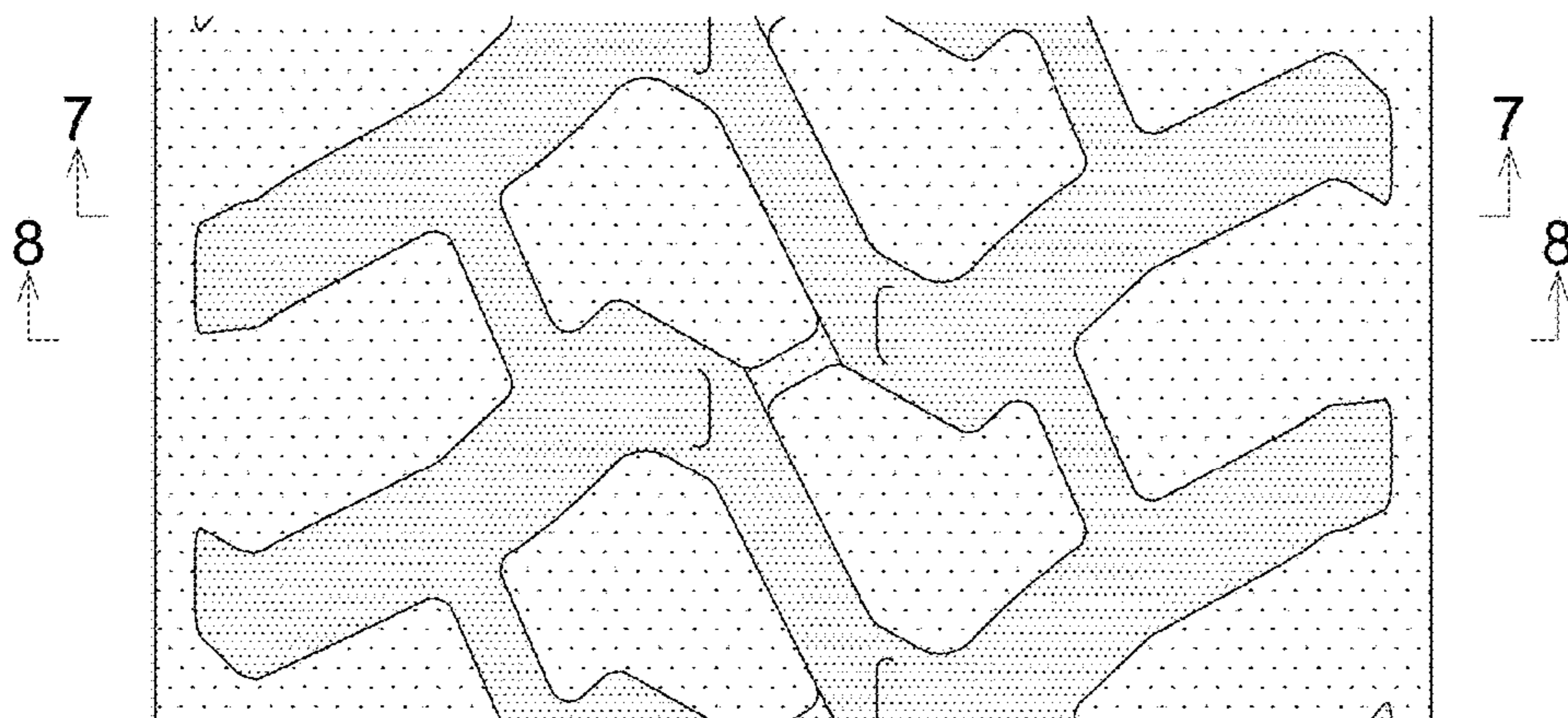
*FIG. 4*



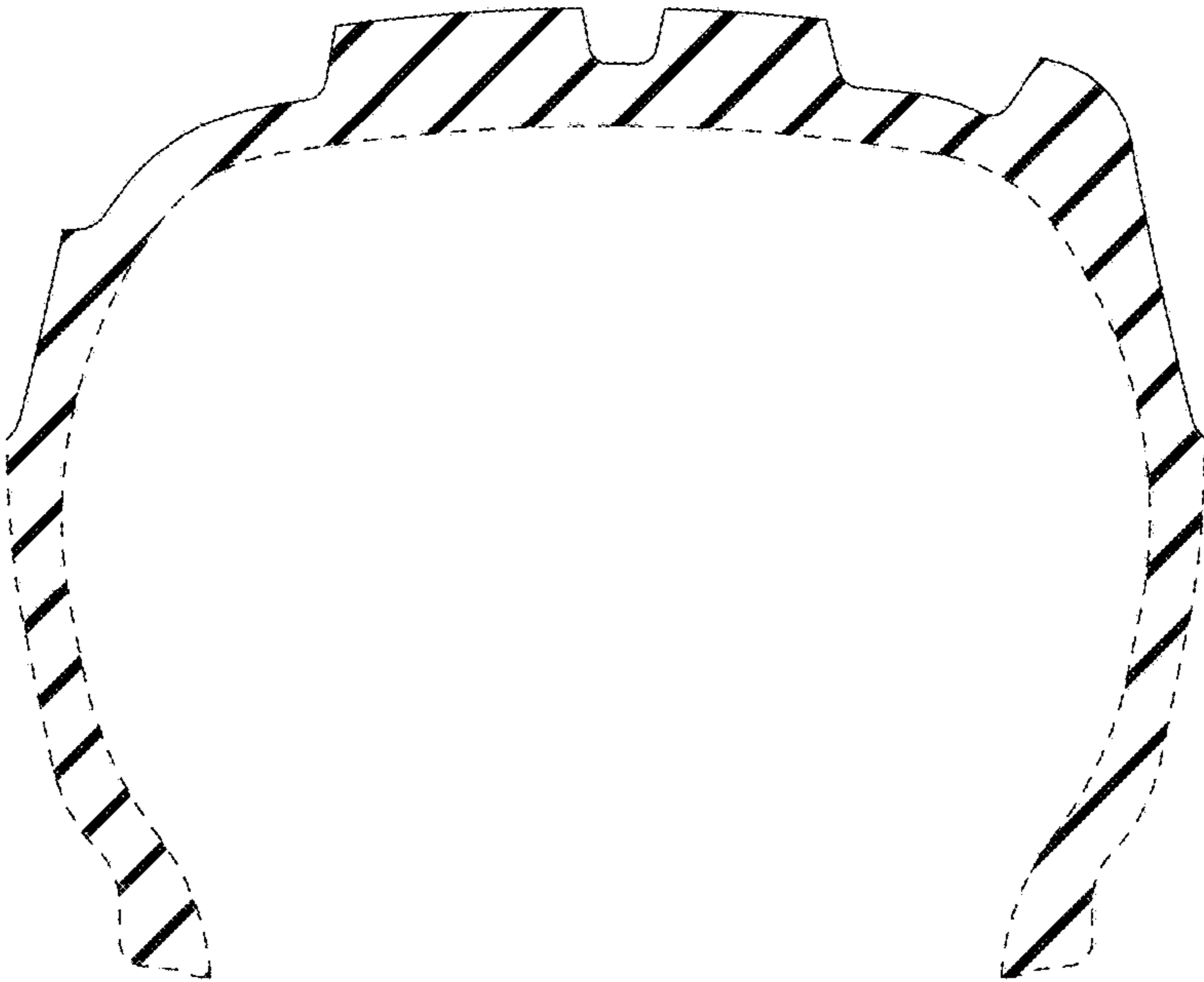
*FIG. 5*



*FIG. 6*



*FIG. 7*





*FIG. 8*

