



US00D844540S

(12) **United States Design Patent**
Linson

(10) **Patent No.:** **US D844,540 S**
(45) **Date of Patent:** **** Apr. 2, 2019**

(54) **SENSOR MOUNTING ADAPTER BASE FOR HEAVY DUTY VEHICLE FRONT WHEEL ASSEMBLY**

(71) Applicant: **Hunter Engineering Company, St. Louis, MO (US)**

(72) Inventor: **Dennis Linson, St. Charles, MO (US)**

(73) Assignee: **Hunter Engineering Company, St. Louis, MO (US)**

(**) Term: **15 Years**

(21) Appl. No.: **29/583,882**

(22) Filed: **Nov. 9, 2016**

(51) **LOC (11) Cl.** **12-16**

(52) **U.S. Cl.**
USPC **D12/412**

(58) **Field of Classification Search**
USPC D3/304-306; D6/552; D12/202, 223, D12/406, 412, 413, 414, 414.1; D15/199
CPC B60R 9/04; B60R 9/045; B60R 9/048; G01B 11/275; G01B 11/2755; G01B 2210/14; G01B 2210/30
See application file for complete search history.

(56) **References Cited**

U.S. PATENT DOCUMENTS

D418,792	S *	1/2000	Iampen	D12/202
6,044,968	A *	4/2000	Iampen	B05C 11/11
					118/505
D430,840	S *	9/2000	Iampen	D12/202
D469,725	S *	2/2003	Murkett	D12/202
6,869,150	B2 *	3/2005	Ptasinski	B60R 3/00
					280/165
D512,011	S *	11/2005	Tirado	D12/213
7,500,570	B2 *	3/2009	Kurcheski	A63B 47/00
					211/14
D636,003	S *	4/2011	Linson	D15/199

D667,037	S *	9/2012	Linson	D15/199
8,341,848	B2	1/2013	Stieff et al.		
D716,228	S *	10/2014	McCamley	D13/115
D725,689	S *	3/2015	Vaninger	D15/199
9,662,945	B2 *	5/2017	Molbach	H05K 999/99
D816,005	S *	4/2018	Johns	D12/197
D816,012	S *	4/2018	Linson	D12/412
D819,466	S *	6/2018	Linson	D10/65
D819,567	S *	6/2018	Garvey	D13/112
2005/0076519	A1 *	4/2005	Gerdes	G01B 5/255
					33/203

(Continued)

OTHER PUBLICATIONS

Lawrence Auto Machinery Alpha brochure, 2014.
Lawrence Auto Machinery Make A Difference brochure.

Primary Examiner — Garth Rademaker

Assistant Examiner — Fritzgerald L Butac

(74) *Attorney, Agent, or Firm* — Sandberg Phoenix & von Gontard, P.C.

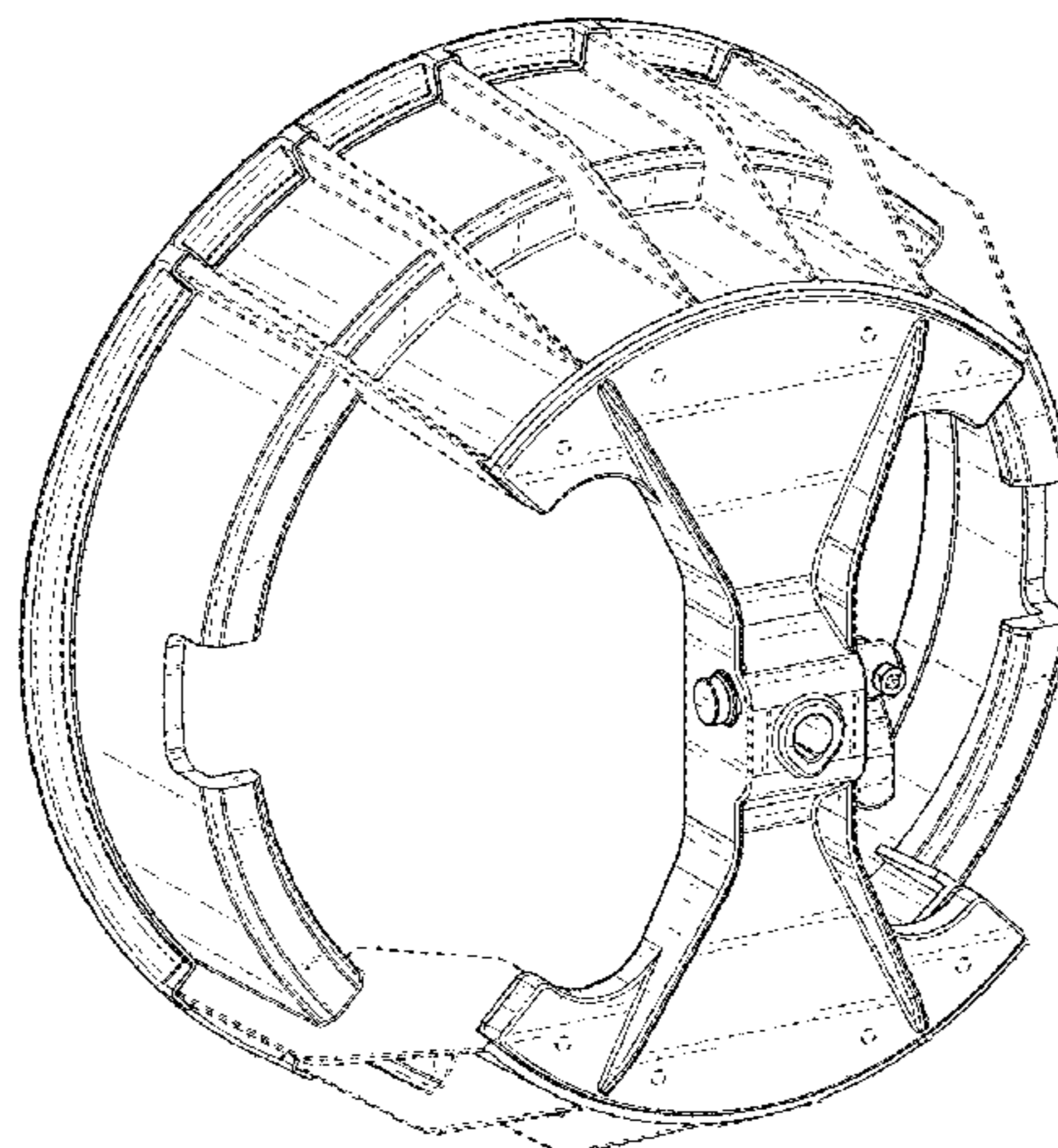
(57) **CLAIM**

The ornamental design for sensor mounting adapter base for heavy duty vehicle front wheel assembly, as shown and described.

DESCRIPTION

FIG. 1 is a front perspective view of the sensor mounting adapter base for a heavy duty vehicle front wheel assembly; FIG. 2 is a front elevational view thereof; FIG. 3 is a rear elevational view thereof; FIG. 4 is a right side elevational view thereof; FIG. 5 is a left side elevational view thereof; FIG. 6 is a top plan view thereof; and, FIG. 7 is a bottom plan view thereof. The broken lines show portions of a sensor mounting adapter base for heavy duty vehicle front wheel assembly that form no part of the claimed design.

1 Claim, 7 Drawing Sheets



(56)

References Cited

U.S. PATENT DOCUMENTS

2007/0068016 A1* 3/2007 Stieff G01B 11/2755
33/203.18
2008/0209744 A1* 9/2008 Stieff G01B 11/2755
33/203.18
2008/0271328 A1* 11/2008 Dorrance H04N 7/18
33/203.18
2010/0165332 A1* 7/2010 Dorrance H04N 7/18
33/203.18
2011/0001821 A1* 1/2011 Dorrance G01B 11/2755
33/203.18
2011/0170089 A1* 7/2011 Dorrance H04N 7/18
33/203.18
2013/0250098 A1* 9/2013 Dorrance G01B 11/275
33/203.18

* cited by examiner

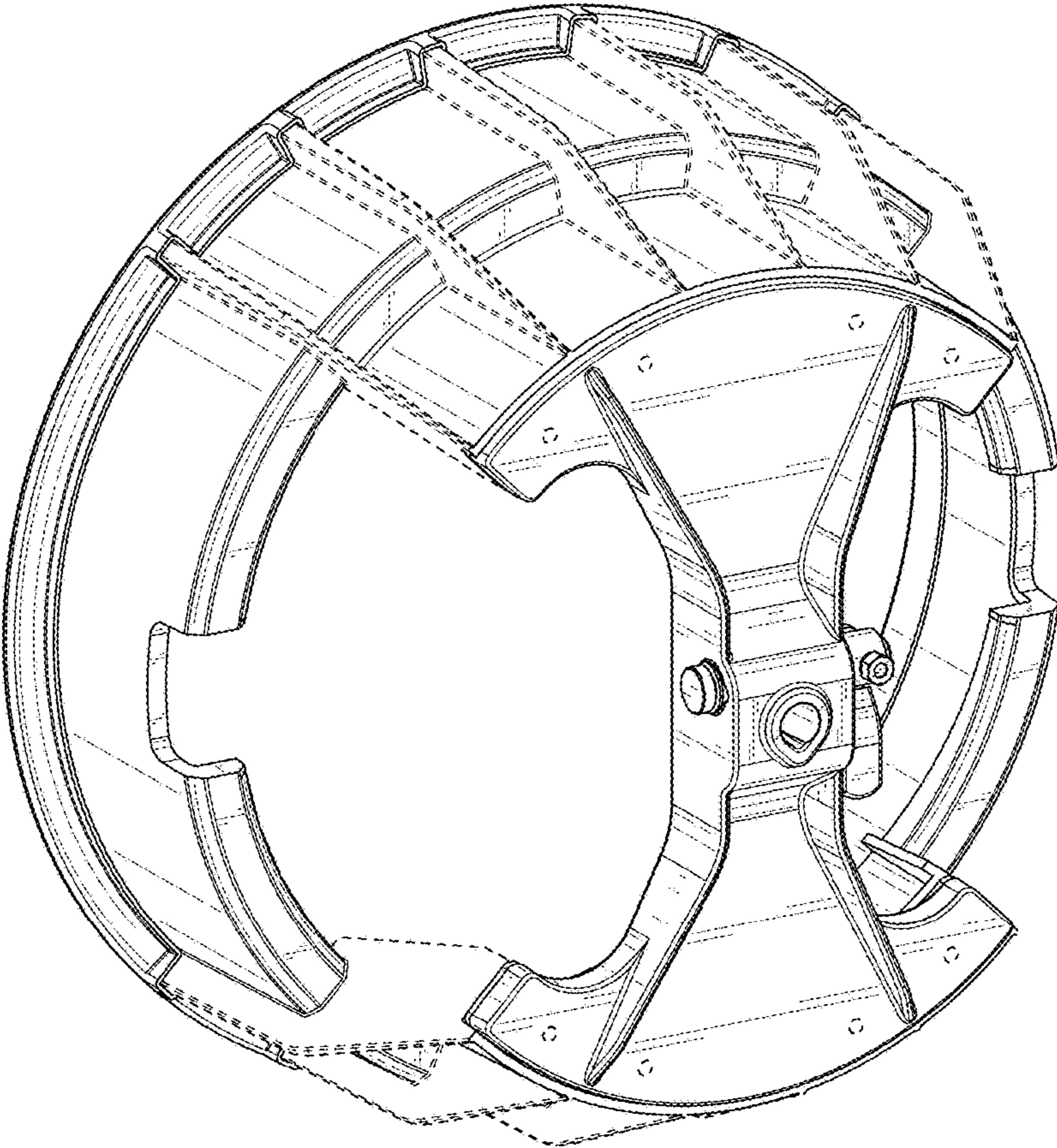


FIG. 1

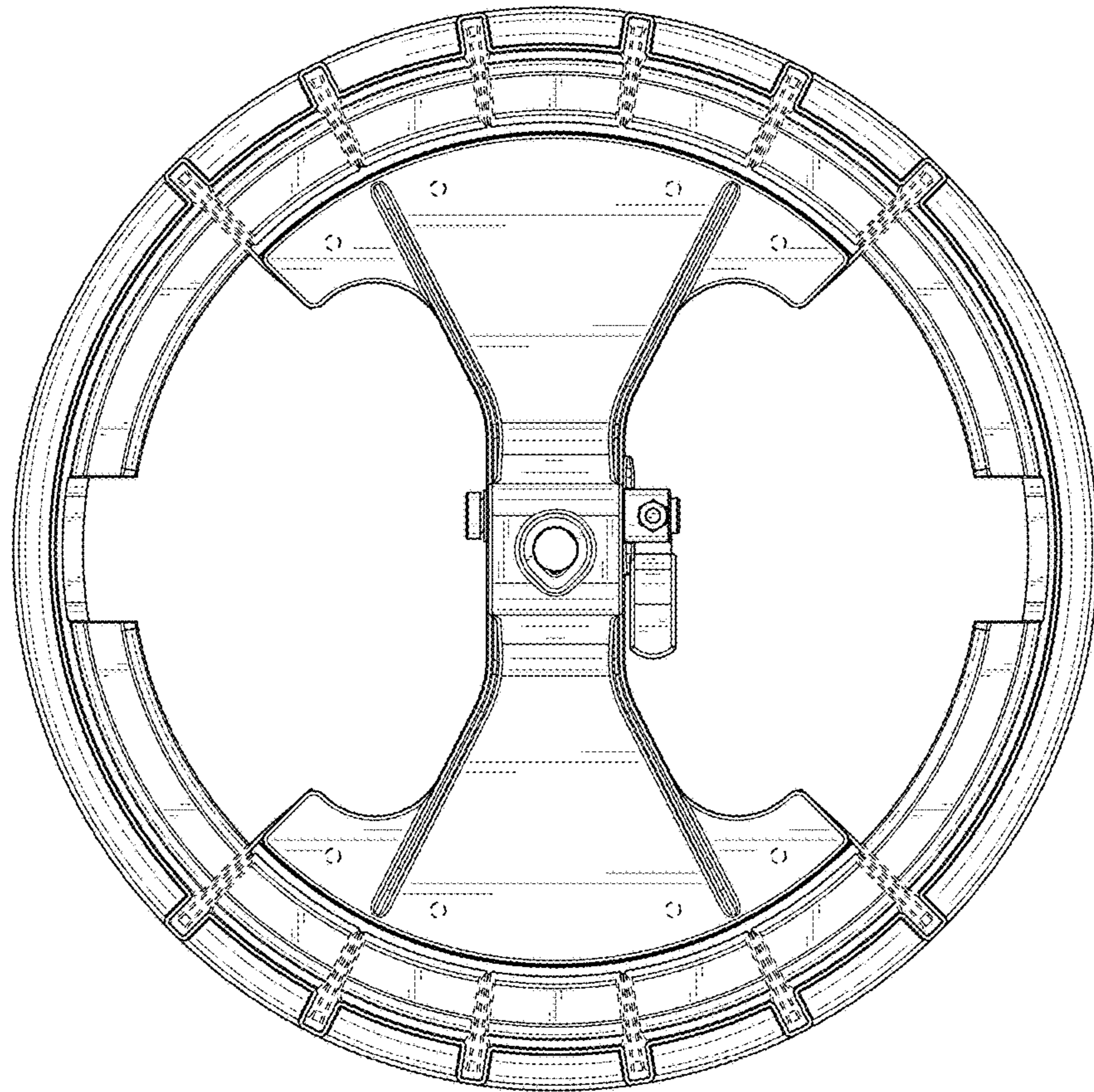


FIG. 2

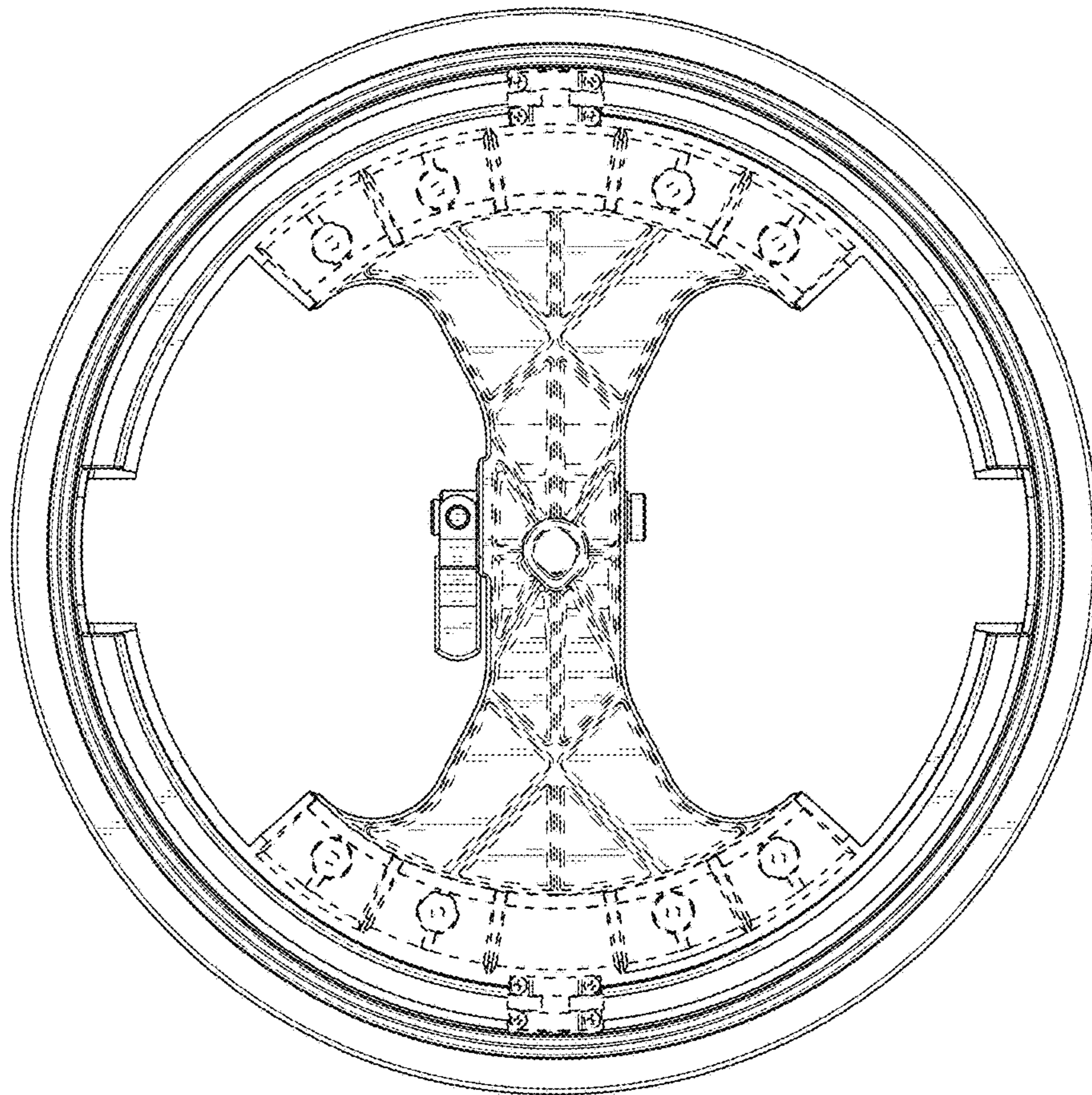


FIG. 3

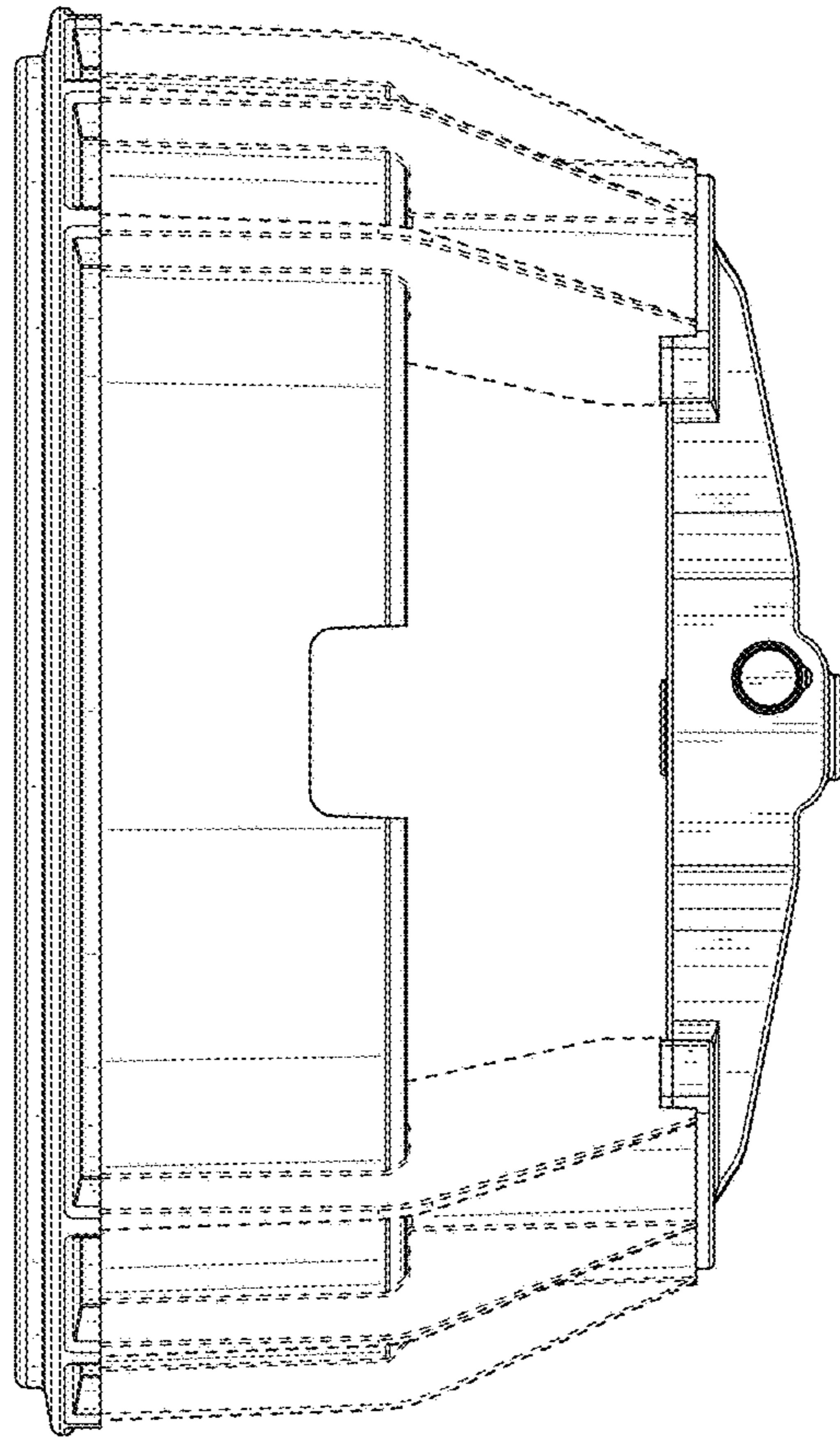


FIG. 4

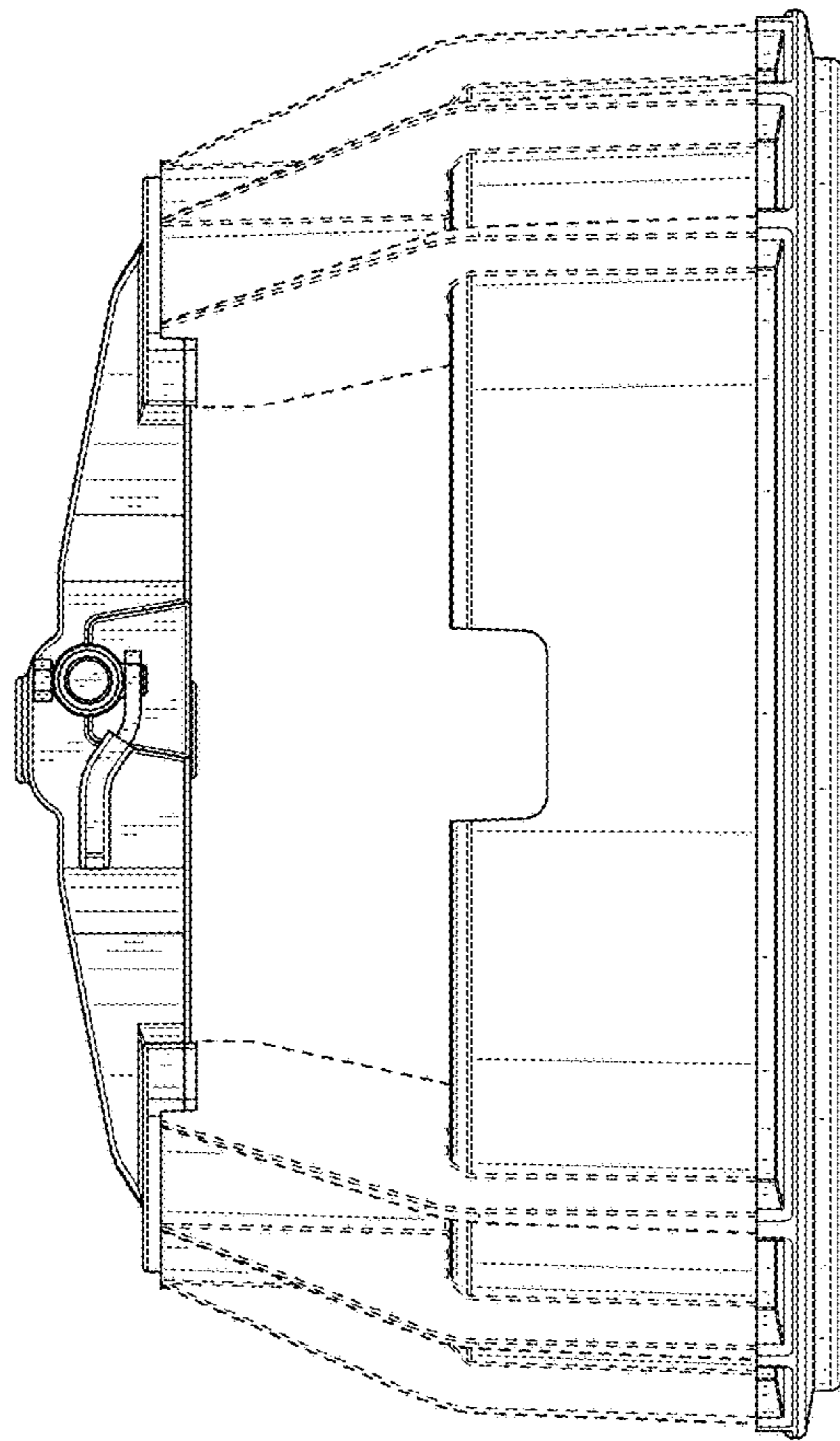


FIG. 5

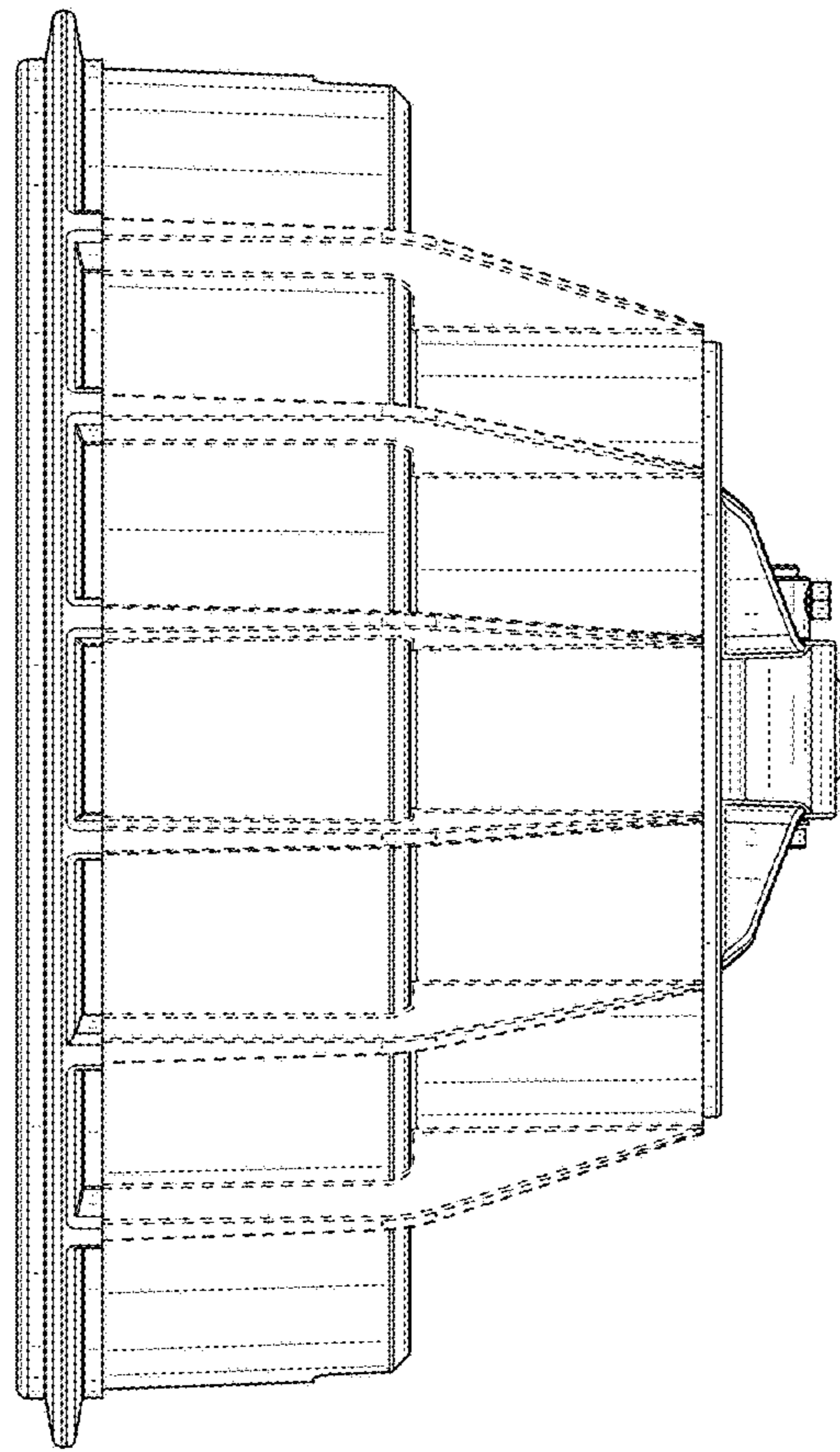


FIG. 6

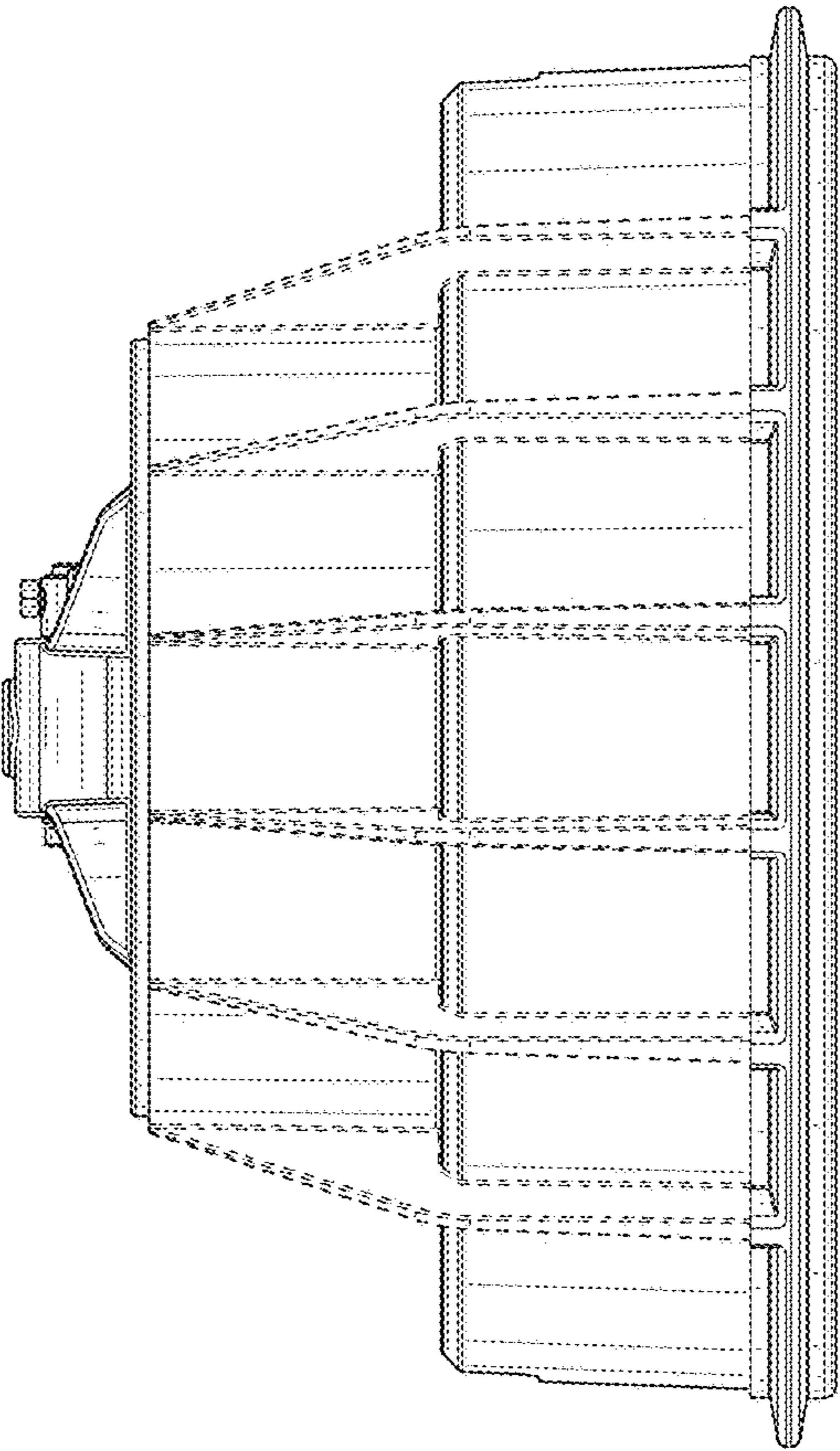


FIG. 7