

US00D844539S

(12) **United States Design Patent** (10) **Patent No.:** **US D844,539 S**
Enriquez Mendoza (45) **Date of Patent:** **** Apr. 2, 2019**

- (54) **BICYCLE CARRYING BAG**
- (71) Applicant: **Marc Andrew Enriquez Mendoza**,
Santa Clara, CA (US)
- (72) Inventor: **Marc Andrew Enriquez Mendoza**,
Santa Clara, CA (US)
- (73) Assignee: **Marc Andrew Enriquez Mendoza**,
Santa Clara, CA (US)
- (**) Term: **15 Years**
- (21) Appl. No.: **29/655,758**
- (22) Filed: **Jul. 6, 2018**
- (51) **LOC (11) Cl.** **12-16**
- (52) **U.S. Cl.**
USPC **D12/402**
- (58) **Field of Classification Search**
USPC D12/401-405; D6/610, 611, 596,
D6/601-603, 615, 617, 621; D7/332,
D7/334-337
CPC B65D 85/68; B65D 31/16; B65D 33/02
See application file for complete search history.

D619,939 S *	7/2010	Olsen	D12/133
D666,003 S	8/2012	Santy et al.		
D675,556 S *	2/2013	Isakov	D12/402
D678,678 S	3/2013	Santy et al.		
D689,011 S *	9/2013	Isakov	B62H 3/12 D12/402
8,636,123 B2	1/2014	Santy et al.		
8,814,407 B2	8/2014	Sheikh		
D723,451 S *	3/2015	Depew, Jr.	D12/402
D738,621 S	9/2015	Sheikh et al.		
D776,523 S	1/2017	Sabbag et al.		
D781,209 S *	3/2017	Houck	D12/402
D784,906 S *	4/2017	van Kempen	D12/402
D791,680 S	7/2017	Chin		
D803,762 S *	11/2017	Greenblatt	D12/402
D810,434 S	2/2018	Xu		
D816,586 S *	5/2018	Doughty	D12/402
2004/0195791 A1	10/2004	Brookes-Inglis		
2011/0186396 A1	8/2011	Sheikh		

* cited by examiner

Primary Examiner — Katrina A Betton

(57) **CLAIM**

The ornamental design for a bicycle carrying bag, as shown and described.

DESCRIPTION

FIG. 1 is a front perspective view of a bicycle carrying bag showing my new design;
 FIG. 2 is a front elevation view thereof;
 FIG. 3 is a rear elevation view thereof;
 FIG. 4 is a top plan view thereof;
 FIG. 5 is a left side elevation view thereof;
 FIG. 6 is a right side elevation view thereof; and,
 FIG. 7 is a bottom plan view thereof.
 The broken lines shown in the drawings illustrate stitching that form no part of the claimed design.

1 Claim, 3 Drawing Sheets

- (56) **References Cited**
U.S. PATENT DOCUMENTS
- D326,187 S 5/1992 Chauvin
- D337,434 S 7/1993 Fukuda
- D348,780 S 7/1994 Masaru
- D351,282 S 10/1994 Masaru
- D352,170 S 11/1994 Bialo
- D380,298 S 7/1997 Ferris
- D393,153 S 4/1998 Farrage
- 5,743,447 A 4/1998 McDermott
- D429,884 S 8/2000 Zurwelle et al.
- D530,513 S 10/2006 Oh
- D588,978 S * 3/2009 Powers D12/402





Fig. 1

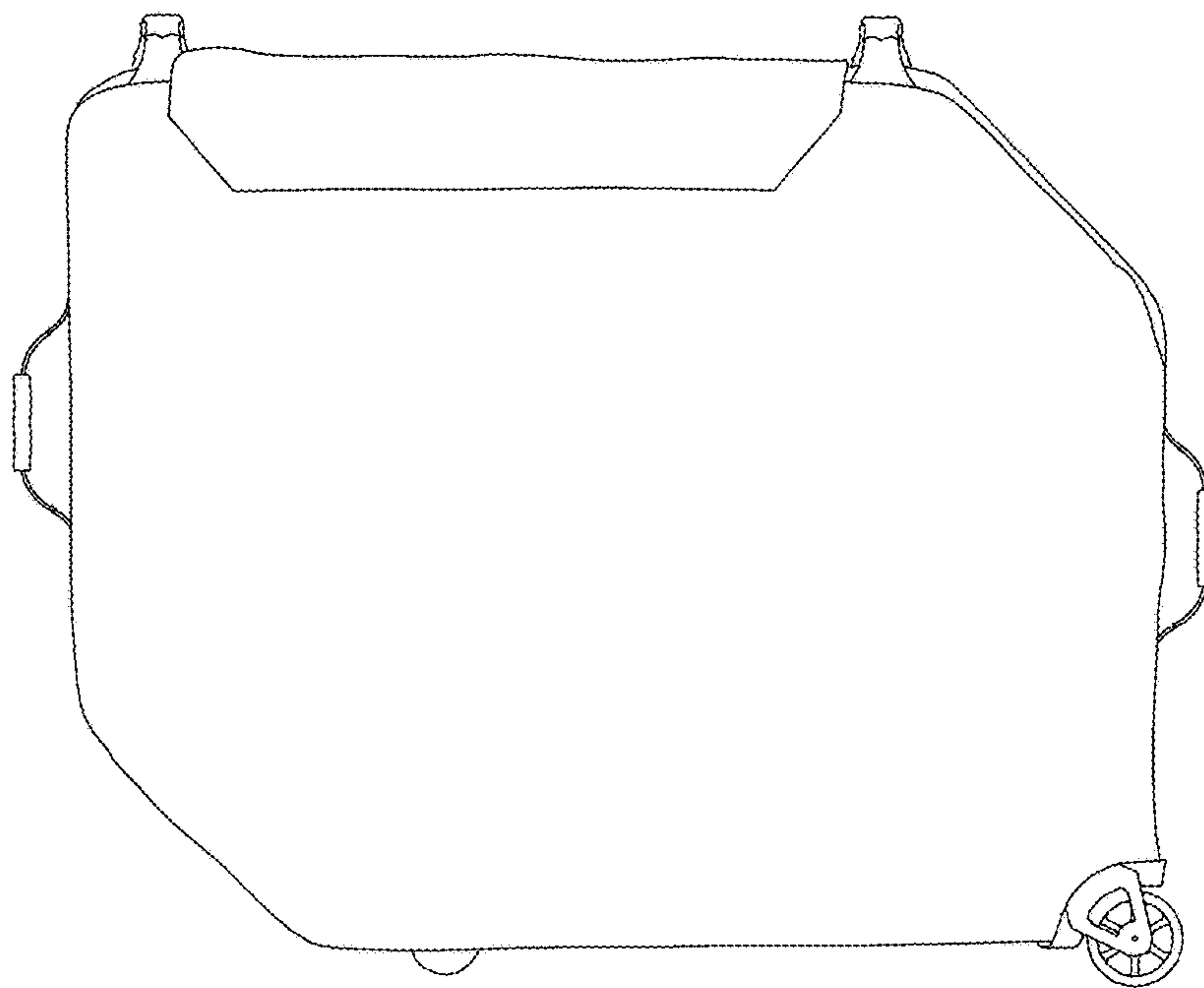


Fig. 2

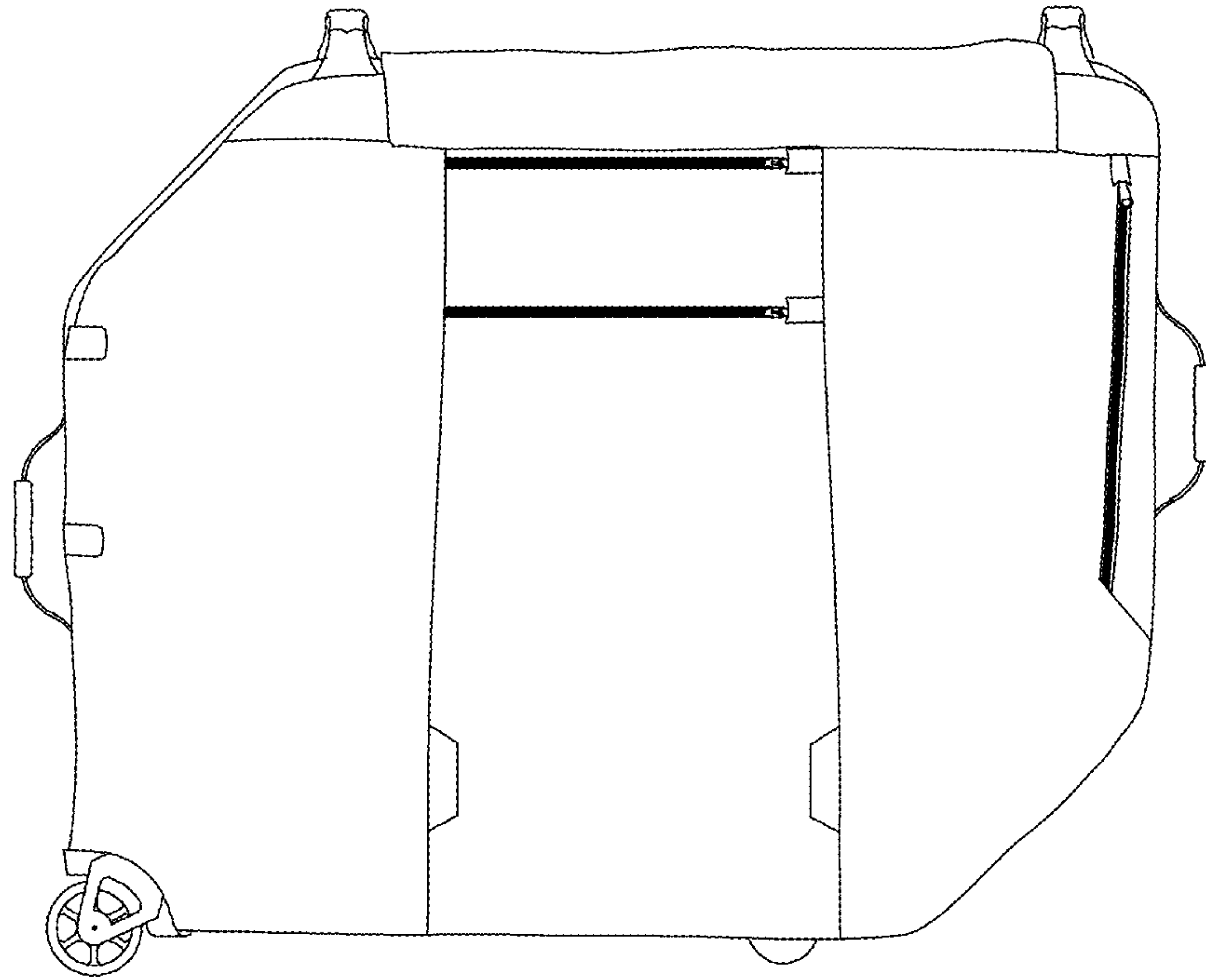


Fig. 3

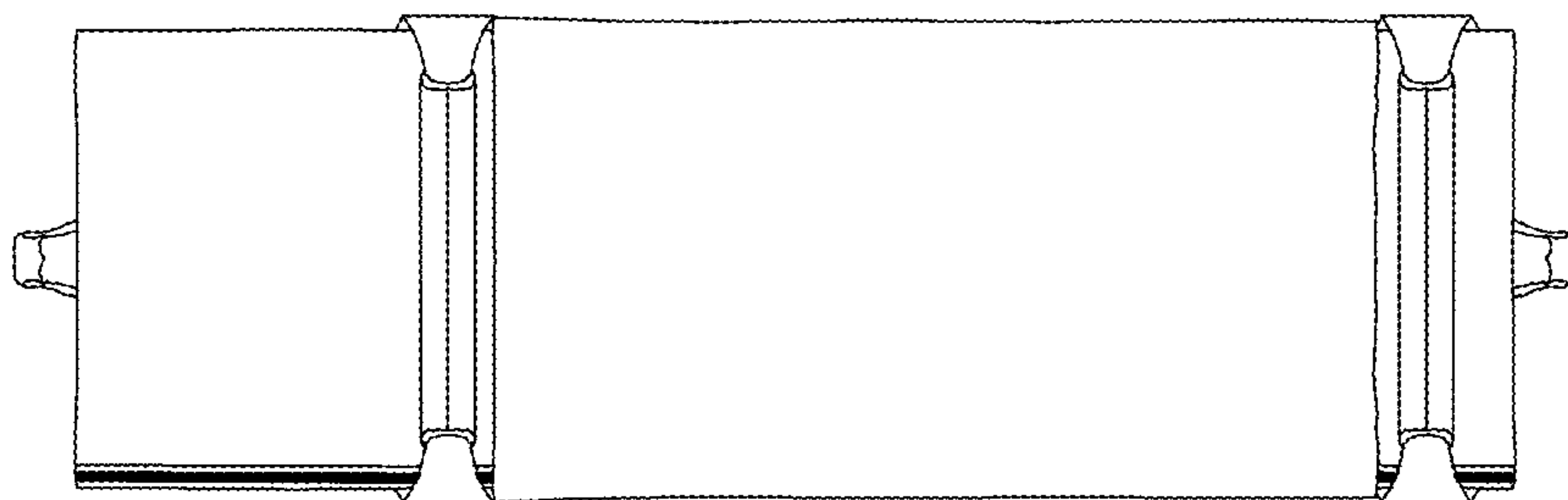


Fig. 4

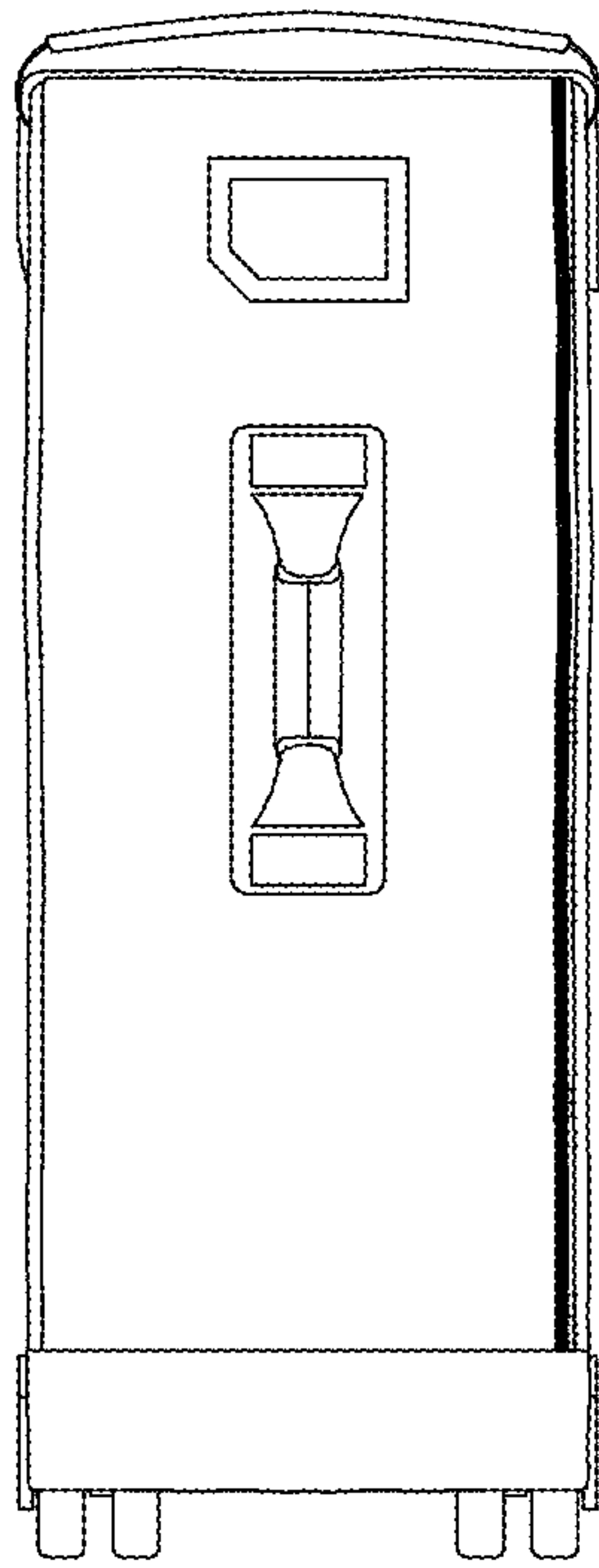


Fig. 5

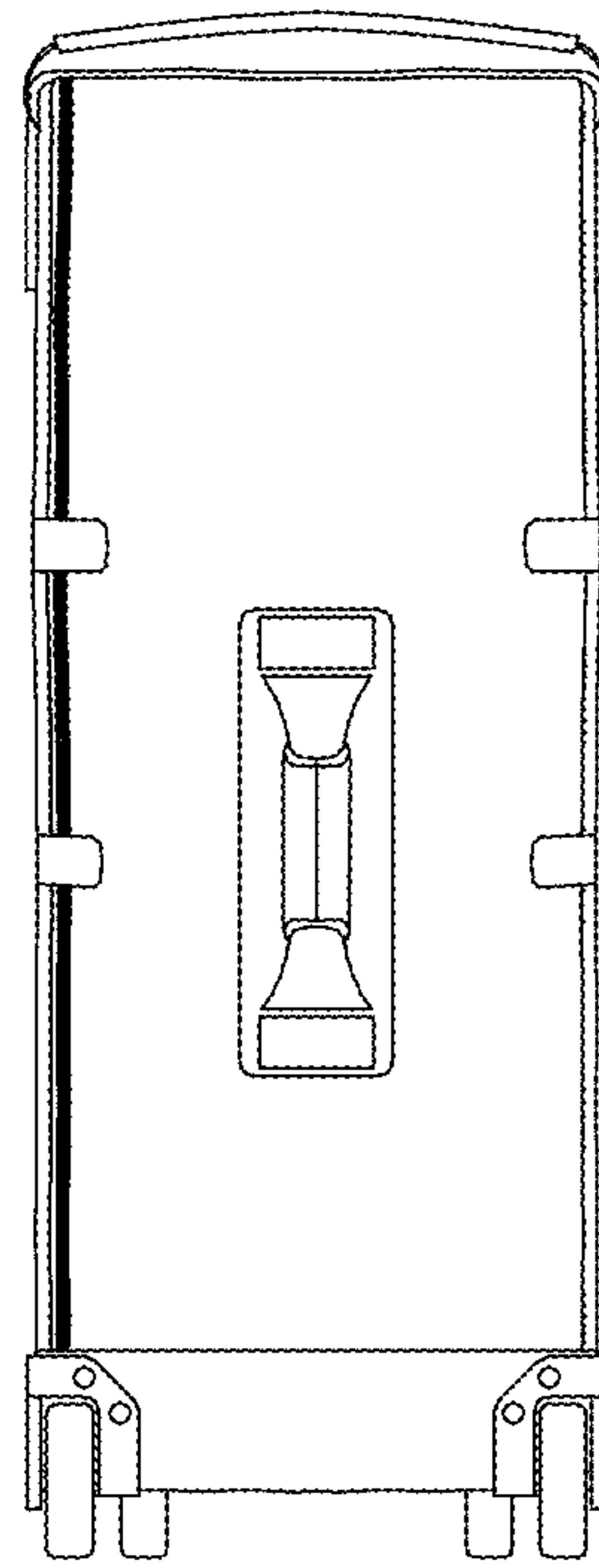


Fig. 6

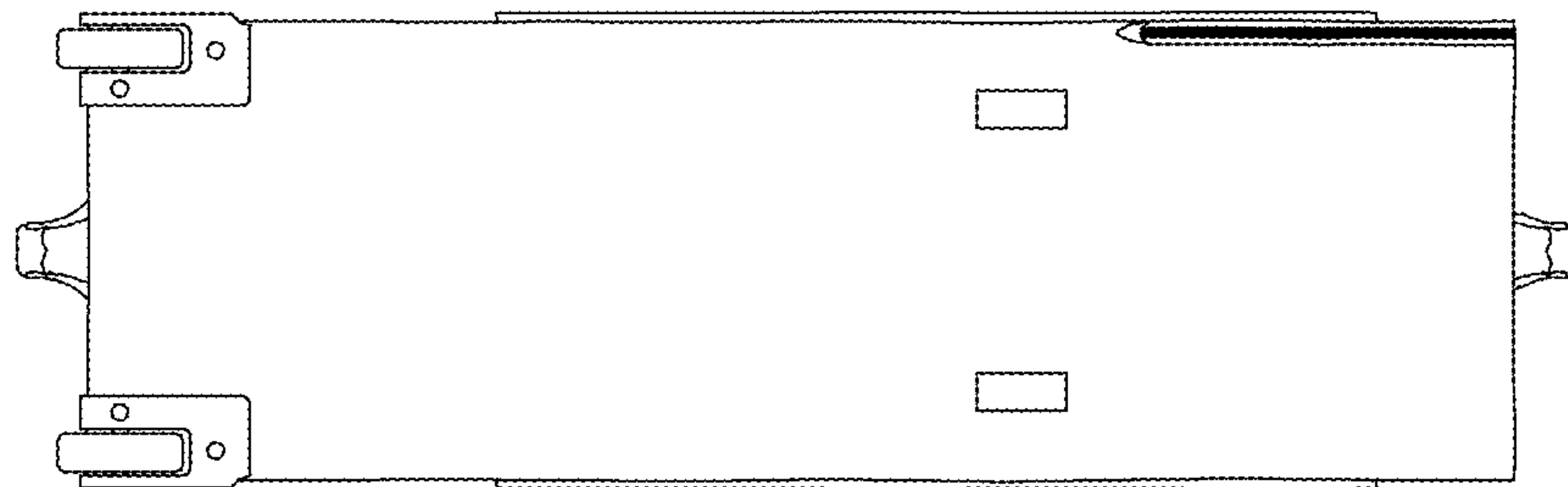


Fig. 7