



US00D844535S

(12) **United States Design Patent**
Skeie

(10) **Patent No.:** **US D844,535 S**

(45) **Date of Patent:** **** Apr. 2, 2019**

(54) **OPERATOR WORKSTATION FOR VESSELS**

(71) Applicant: **KONGSBERG MARITIME AS,**
Kongsberg (NO)

(72) Inventor: **Stig Olav Skeie,** Stavern (NO)

(73) Assignee: **Kongsberg Maritime AS,** Kongsberg
(NO)

(**) Term: **15 Years**

(21) Appl. No.: **35/501,020**

(22) Filed: **Dec. 1, 2015**

(80) **Hague Agreement Data**

Int. Filing Date: **Dec. 1, 2015**

Int. Reg. No.: **DM/089505**

Int. Reg. Date: **Dec. 1, 2015**

Int. Reg. Pub. Date: **Jun. 3, 2016**

(51) **LOC (11) Cl.** **12-06**

(52) **U.S. Cl.**
USPC **D12/317**

(58) **Field of Classification Search**
USPC D12/192, 300–318
CPC B63H 21/00; B63H 21/213; B63H 21/22;
F02B 61/00; F02B 61/045
See application file for complete search history.

(56) **References Cited**

U.S. PATENT DOCUMENTS

D187,646 S * 4/1960 Kraus D14/304
D197,613 S * 3/1964 Hoppman et al. D16/225
D260,755 S * 9/1981 Shirley D12/317
D275,675 S * 9/1984 Seguin D24/172

D290,264 S * 6/1987 Overman D16/232
4,957,056 A * 9/1990 Martin B63B 19/02
114/343
D343,004 S * 1/1994 Nelson D15/30
D369,338 S * 4/1996 Arpasi D12/317
D387,168 S * 12/1997 Edelman D24/186
D411,530 S * 6/1999 Carter D14/217
D451,529 S * 12/2001 Vasquez D13/164
D757,632 S * 5/2016 Bradley D12/317
D762,179 S * 7/2016 Wong D13/168

FOREIGN PATENT DOCUMENTS

WO WO-DM/080 571 4/2013

* cited by examiner

Primary Examiner — Darlington Ly

(74) *Attorney, Agent, or Firm* — Winstead PC

(57) **CLAIM**

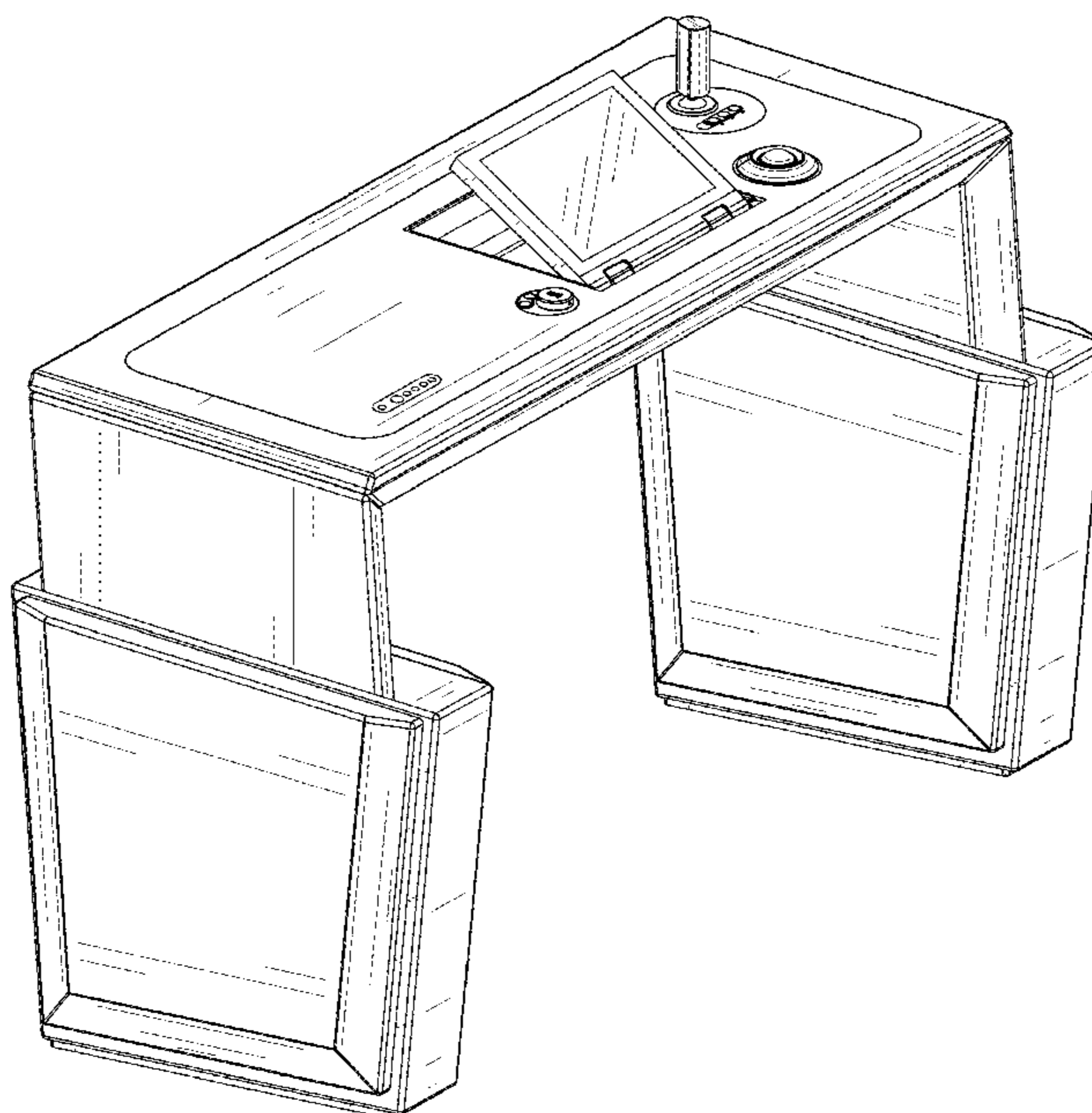
The ornamental design for an operator workstation for vessels, as shown and described.

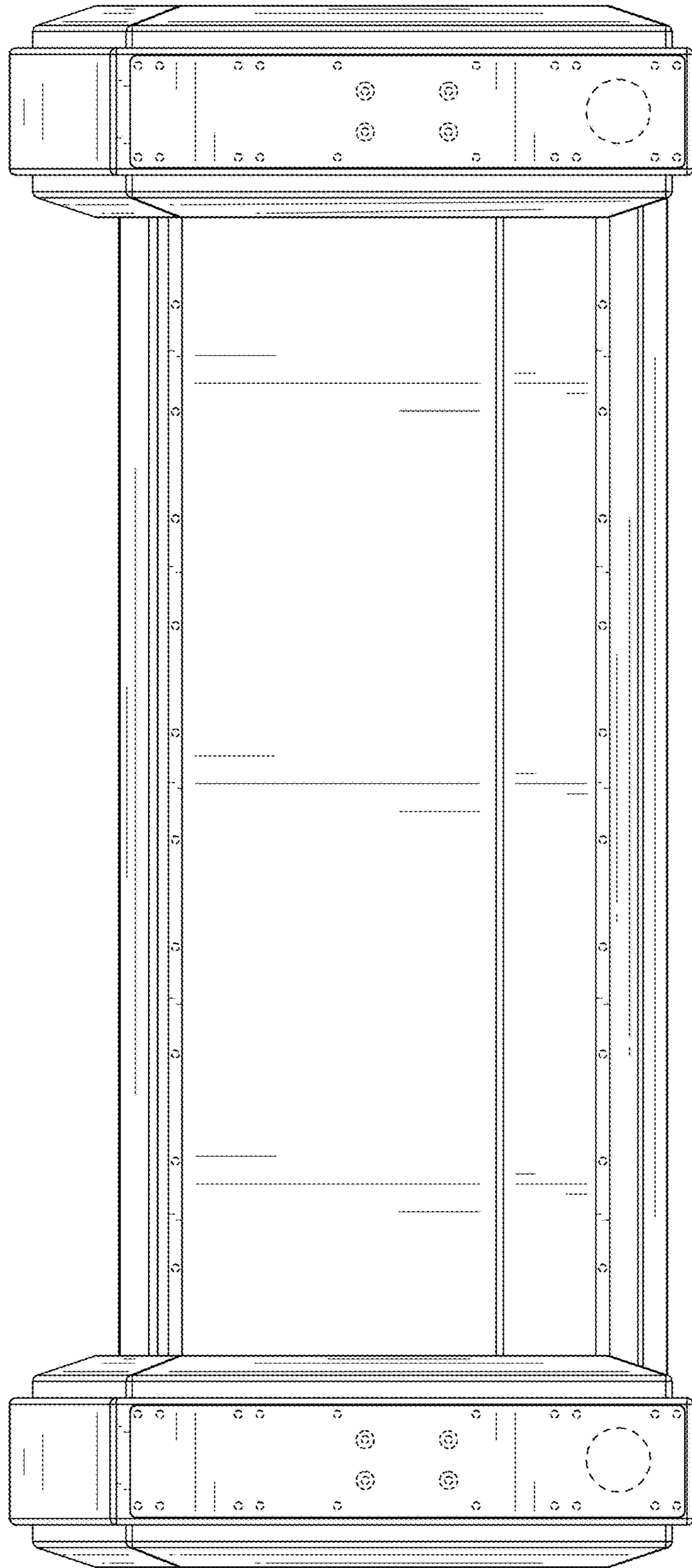
DESCRIPTION

2. Operator workstations for vessels
2.1 is a bottom plan view of an operator workstation for vessels showing aspects of the design;
2.2 is a front elevation view thereof;
2.3 is a rear elevation view thereof;
2.4 is a left-side elevation view thereof;
2.5 is a right-side elevation view thereof;
2.6 is a top, front, left-side perspective view thereof; and
2.7 is a top plan view thereof.

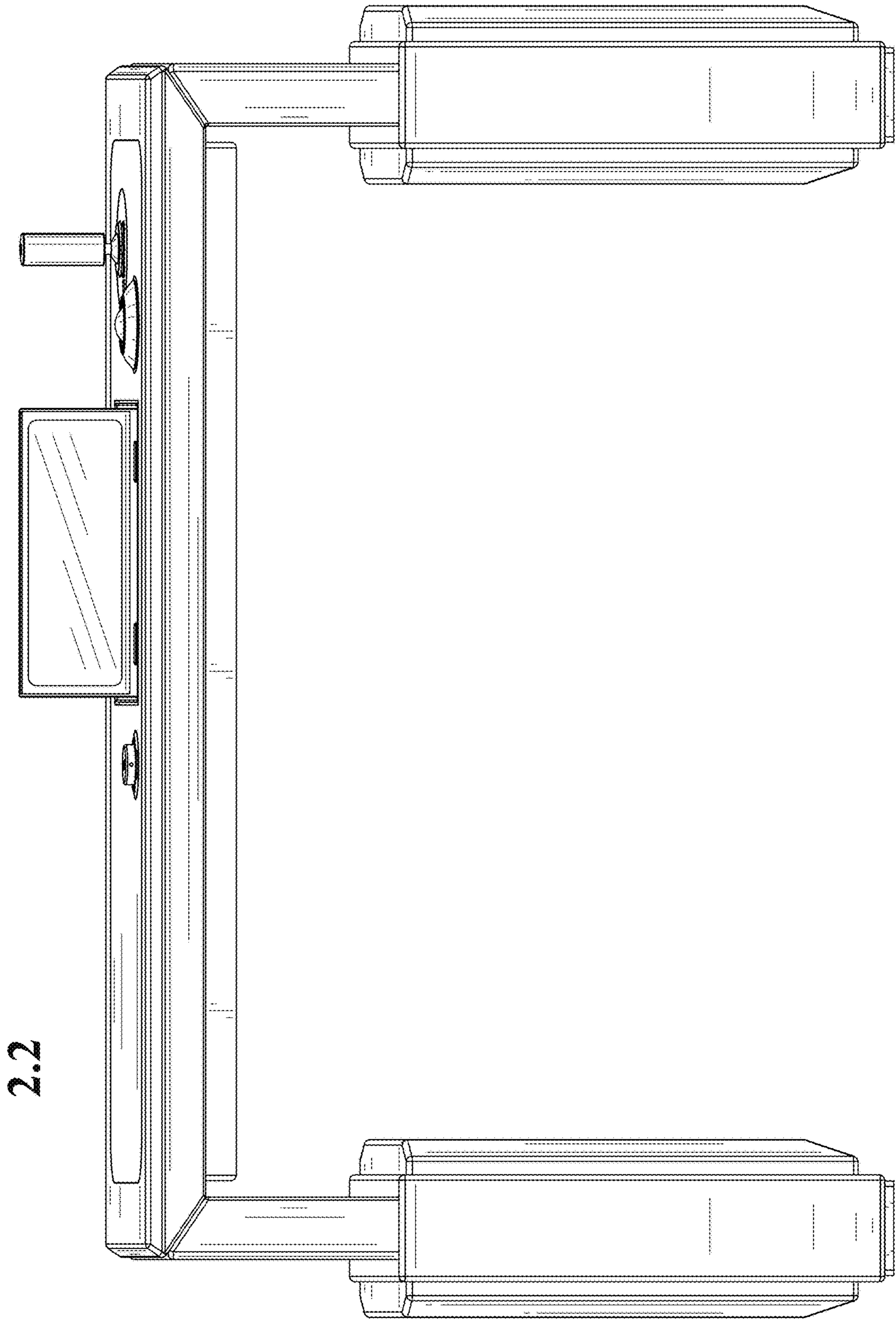
The broken lines in the reproductions illustrate portions of the operator workstation for vessels that form no part of the claimed design.

1 Claim, 7 Drawing Sheets

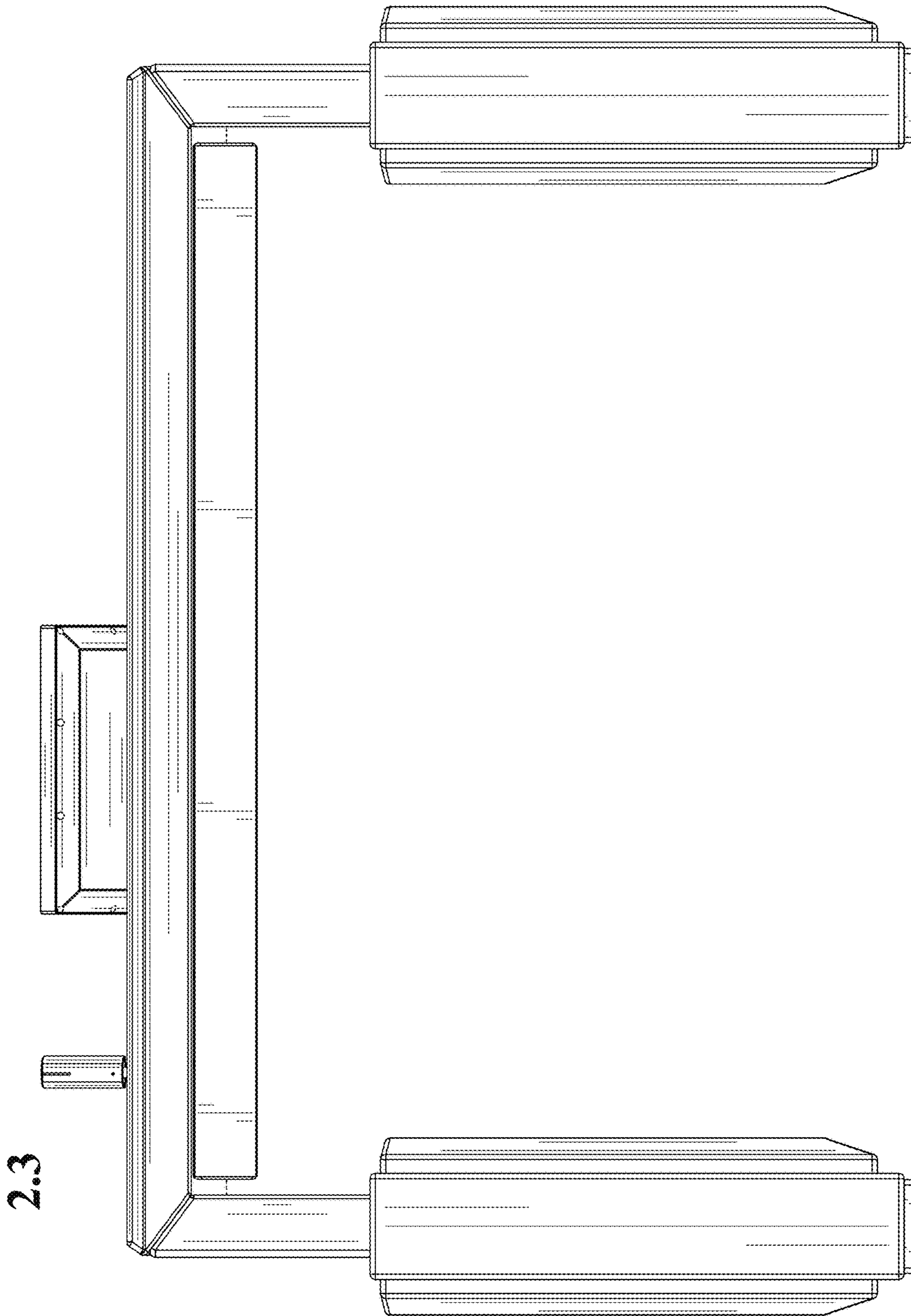




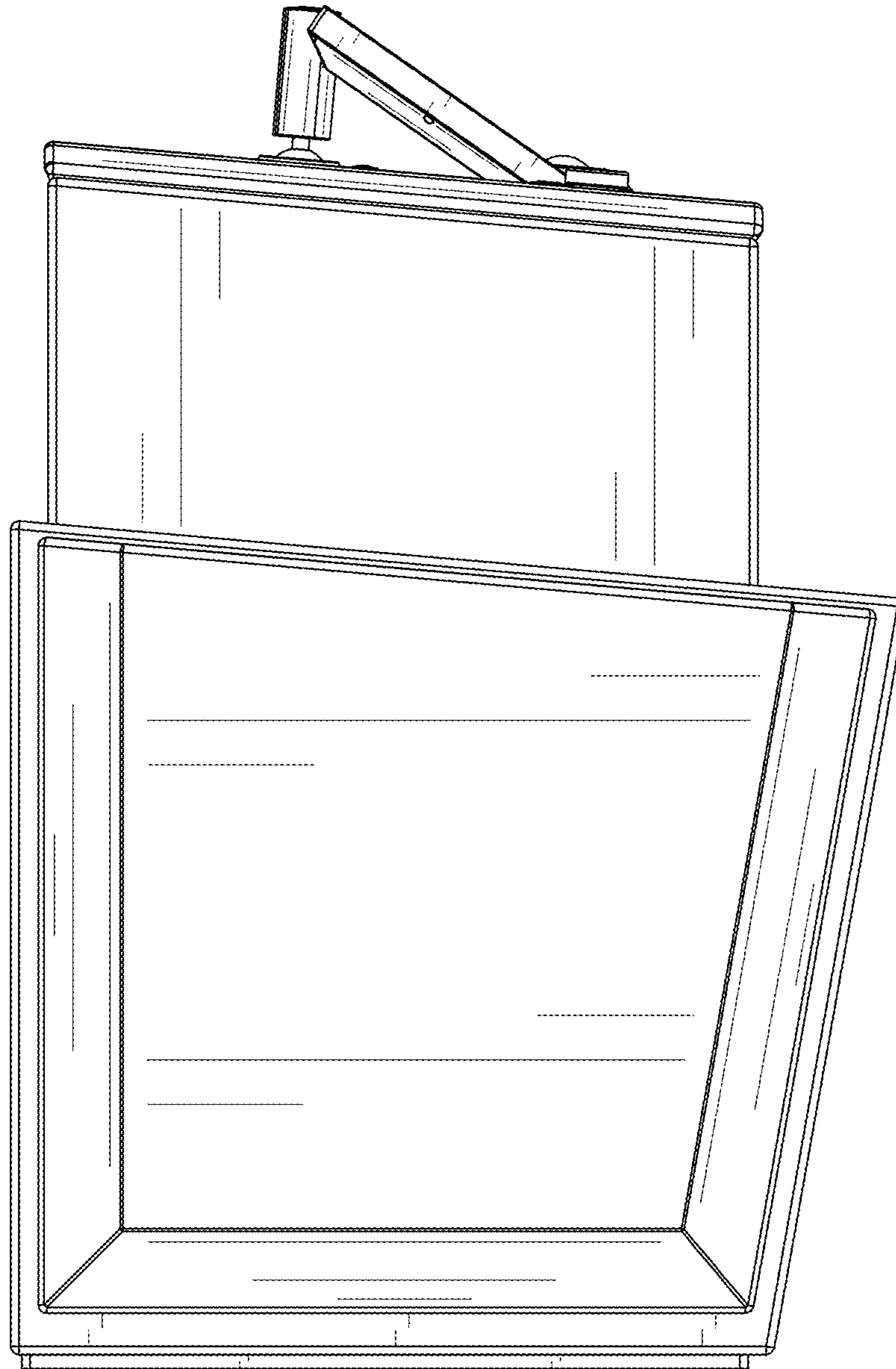
2.1



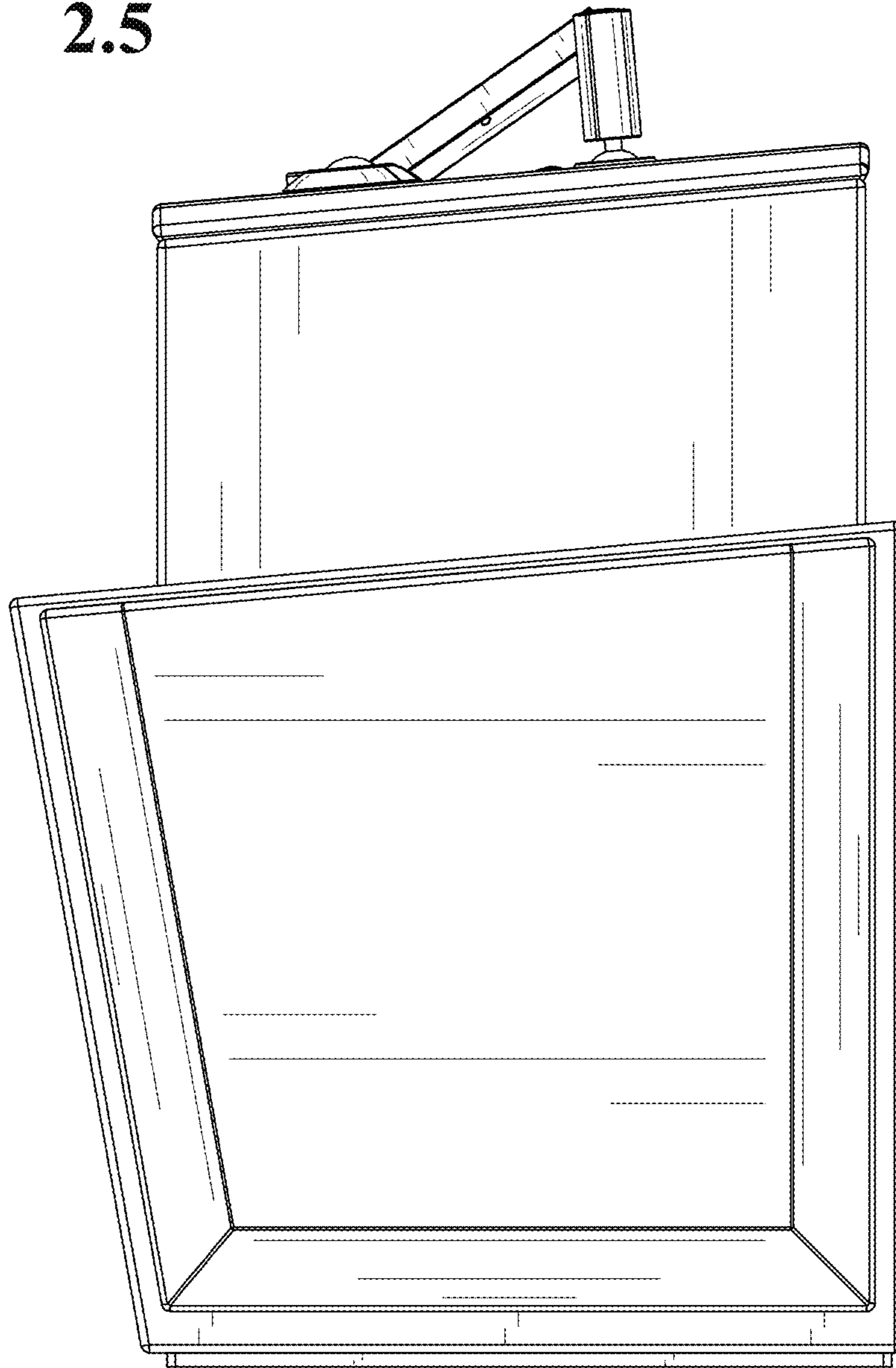
2.2



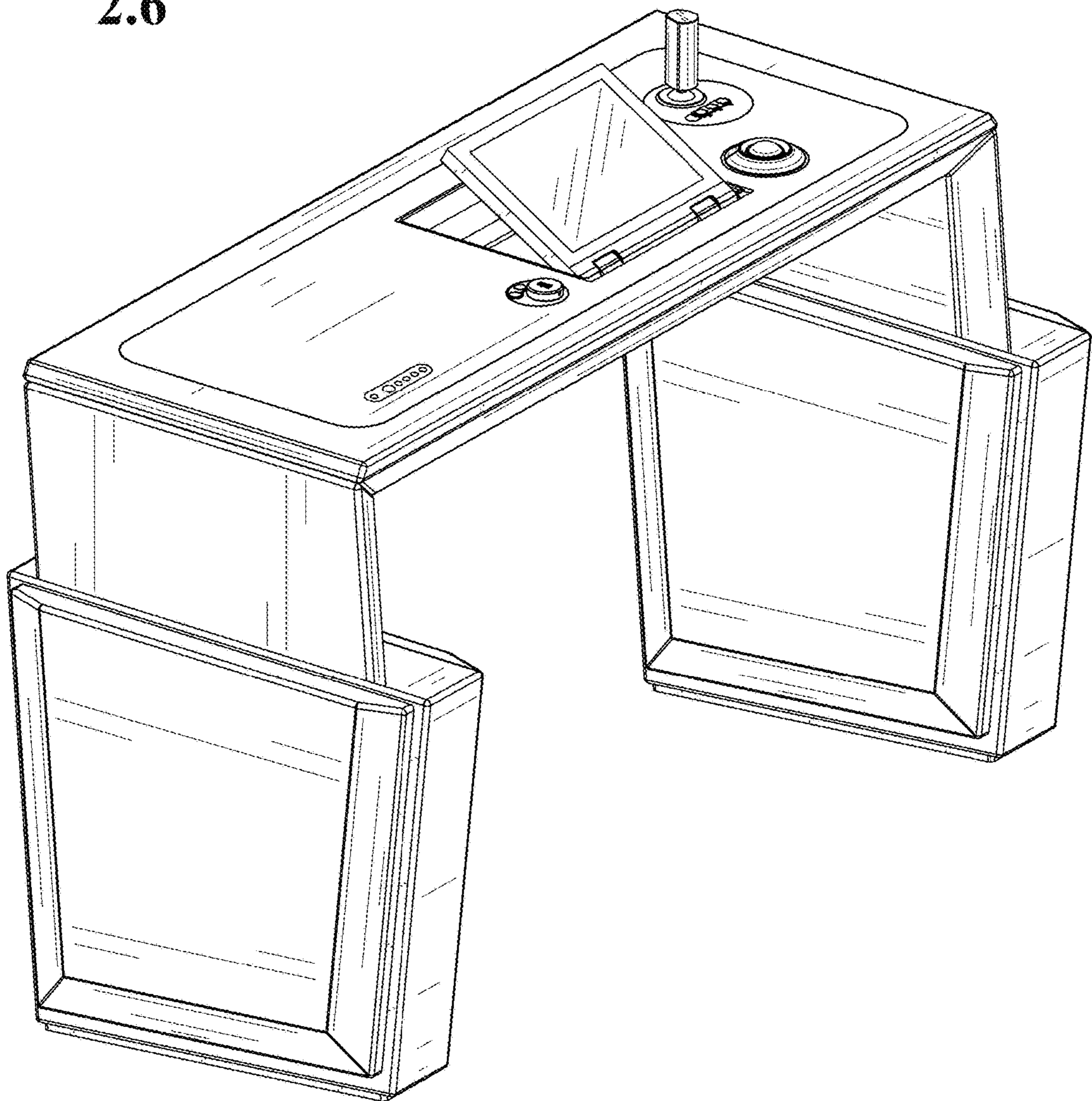
2.4



2.5



2.6



2.7

