



US00D844530S

(12) **United States Design Patent** (10) **Patent No.:** **US D844,530 S**  
**Saleen** (45) **Date of Patent:** **\*\* Apr. 2, 2019**

(54) **AUTOMOBILE WHEEL FACE**  
 (71) Applicant: **Jiangsu Saleen Automotive Technology Co., Ltd., Jiangsu (CN)**

D802,512 S \* 11/2017 Kong ..... D12/211  
 D806,629 S \* 1/2018 Bridan ..... D12/211  
 D807,270 S \* 1/2018 Zhao ..... D12/211  
 D823,219 S \* 7/2018 Lickliter ..... D12/209

(72) Inventor: **Stephen M. Saleen, Irvine, CA (US)**

**OTHER PUBLICATIONS**

(73) Assignee: **Jiangsu Saleen Automotive Technology Co., Ltd., Jiangsu (CN)**

Wei, X. "Supercar Maker Saleen Lands in China With New S1 Model" dated Dec. 8, 2017, available at <https://www.yicai.com/news/supercar-maker-saleen-lands-china-new-s1-model>.

(\*\*) Term: **15 Years**

\* cited by examiner

(21) Appl. No.: **29/632,257**

*Primary Examiner* — Sheryl Lane

(22) Filed: **Jan. 5, 2018**

(74) *Attorney, Agent, or Firm* — Fox Rothschild LLP

(51) **LOC (11) Cl.** ..... **12-16**

(52) **U.S. Cl.**  
 USPC ..... **D12/209**

(57) **CLAIM**

(58) **Field of Classification Search**  
 USPC ..... D12/204–213; D21/533, 551, 563  
 See application file for complete search history.

The ornamental design for an automobile wheel face, as shown and described.

(56) **References Cited**

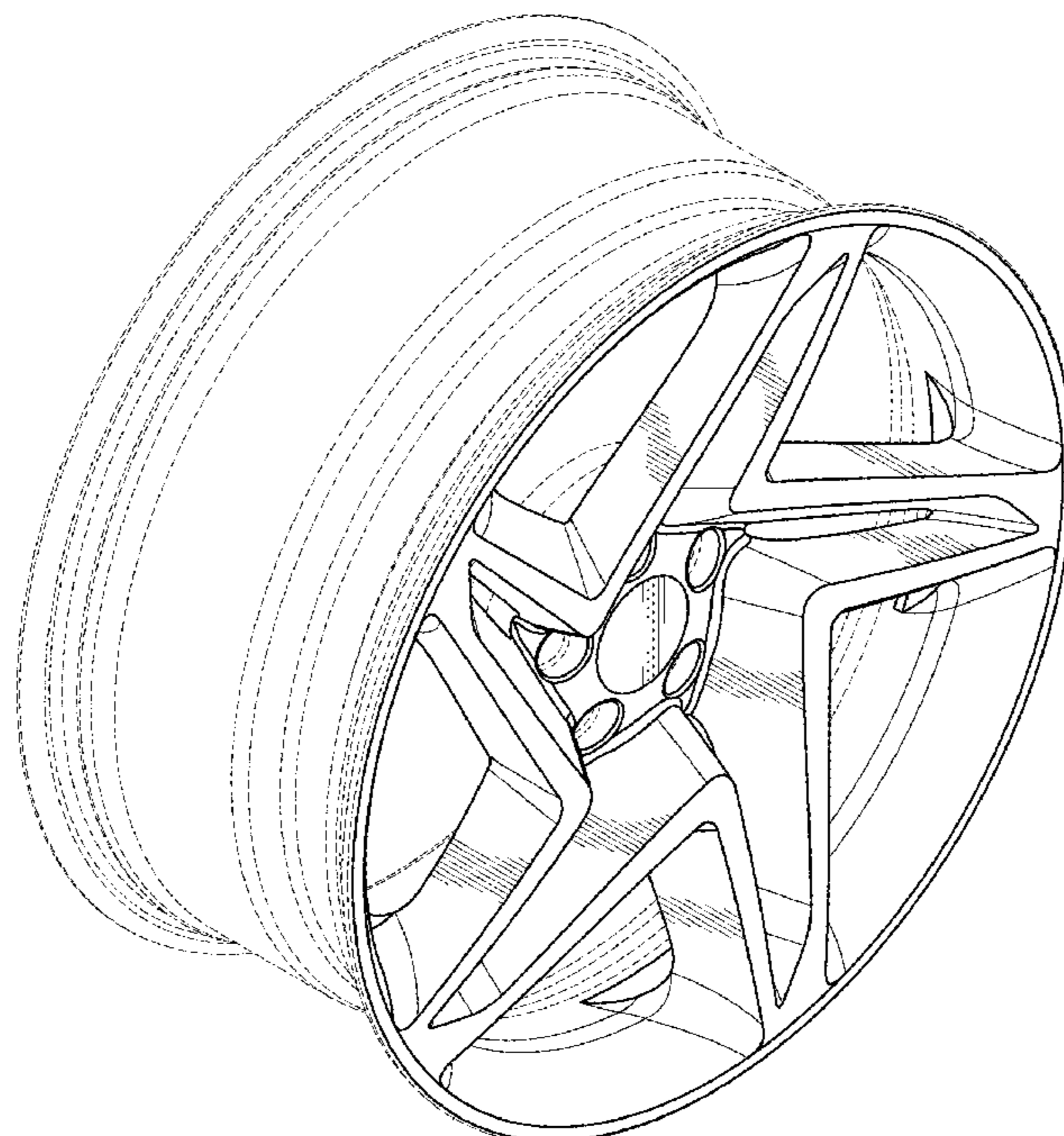
**DESCRIPTION**

**U.S. PATENT DOCUMENTS**

D390,180 S \* 2/1998 Dehner ..... D12/209  
 D501,441 S \* 2/2005 Rosenbohm ..... D12/211  
 D538,731 S \* 3/2007 Iwauchi ..... D12/211  
 D655,660 S \* 3/2012 Stucki ..... D12/209  
 D701,813 S \* 4/2014 Kern ..... D12/211  
 D717,711 S \* 11/2014 Kern ..... D12/211  
 D726,089 S \* 4/2015 Hodges ..... D12/211  
 D737,189 S \* 8/2015 Claunch ..... D12/209  
 D744,928 S \* 12/2015 Valencia Pollex ..... D12/209  
 D800,633 S \* 10/2017 Kong ..... D12/211

FIG. 1 is a left perspective view of an automobile wheel face showing my new design;  
 FIG. 2 is a right perspective view thereof;  
 FIG. 3 is a front elevation view thereof; and,  
 FIG. 4 is a side elevation view thereof.  
 In the drawings, the broken lines shown in FIGS. 1-4 indicate portions of the article not claimed and form no part of the claimed design.

**1 Claim, 4 Drawing Sheets**



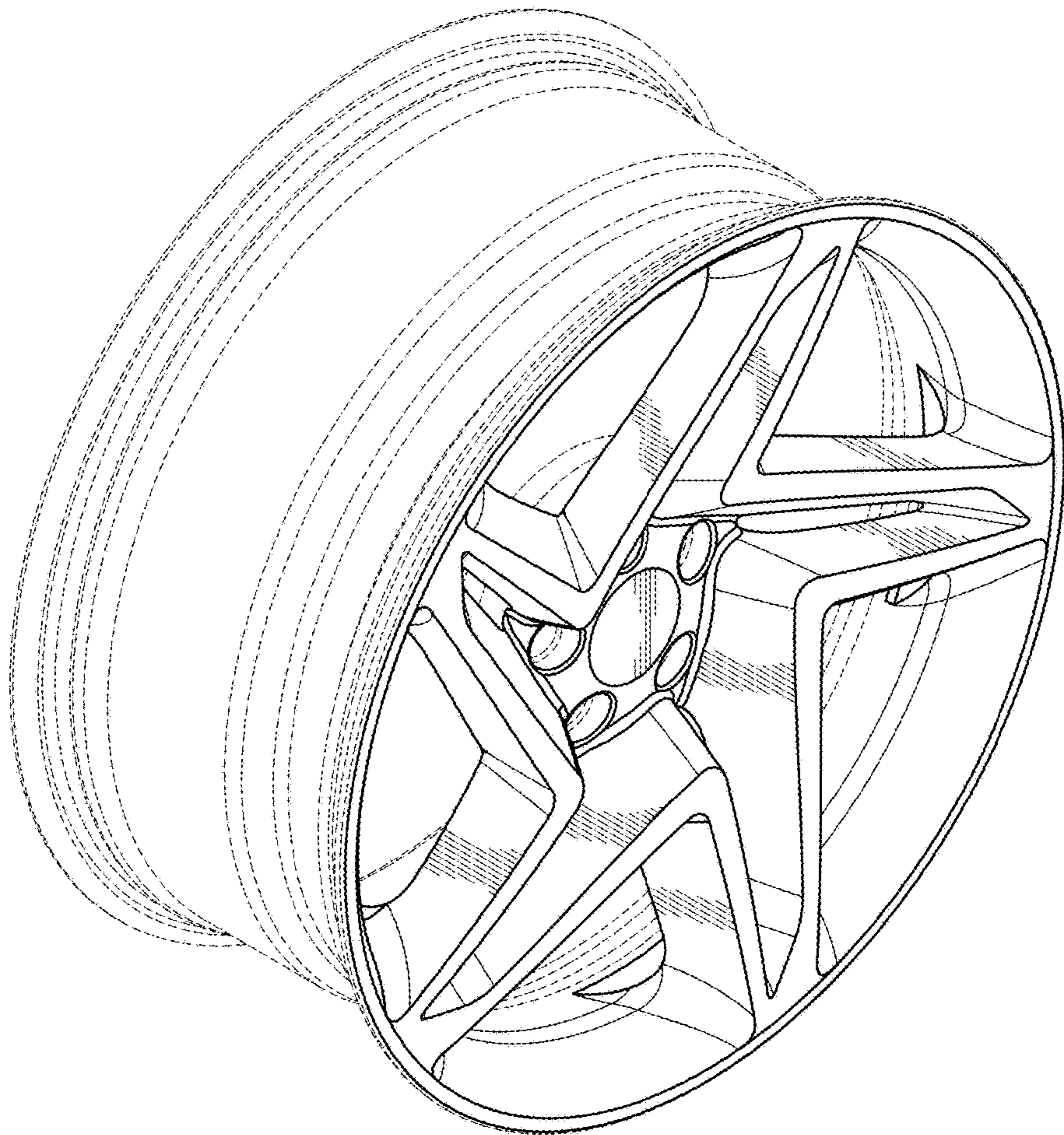


FIG. 1

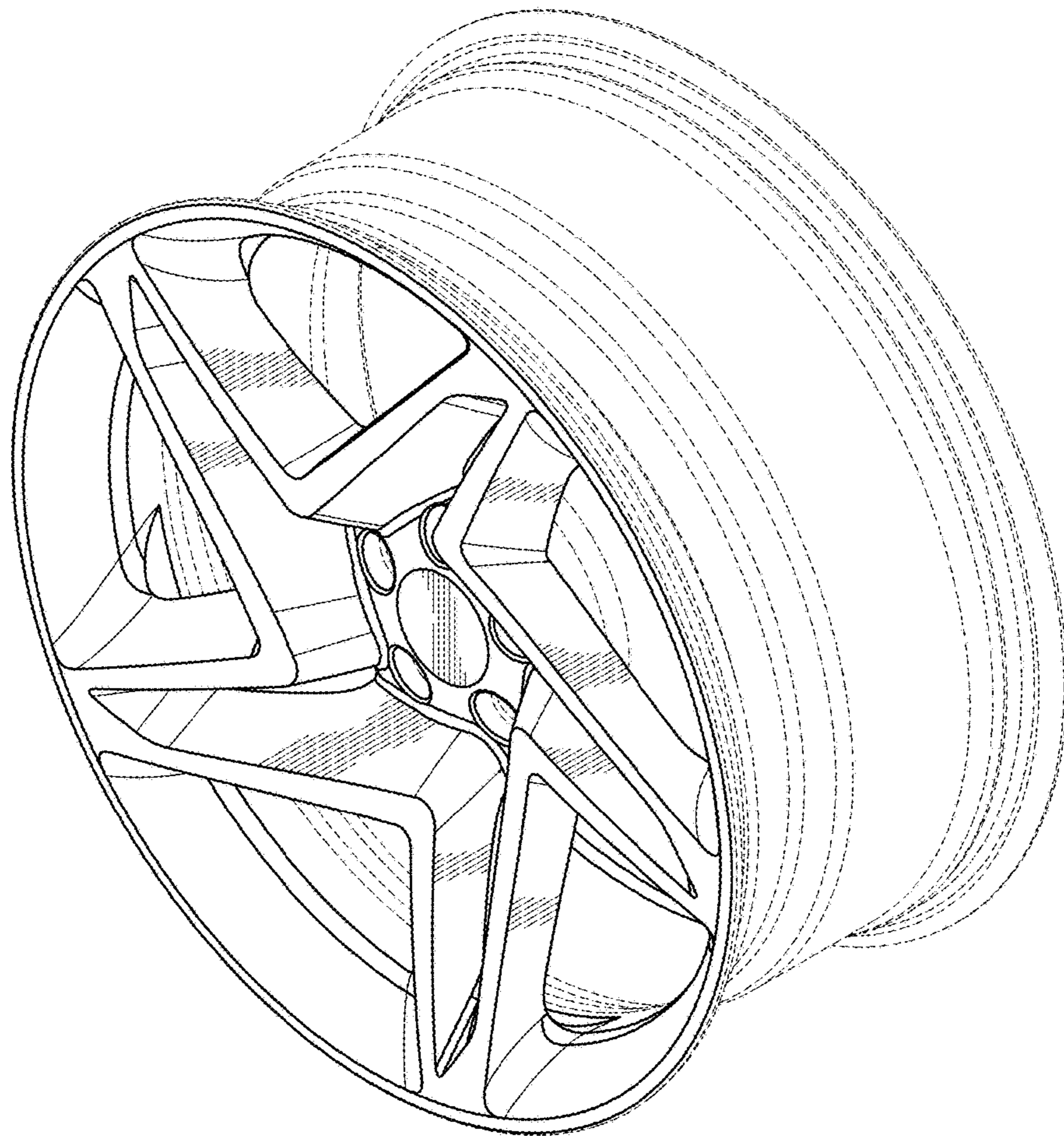
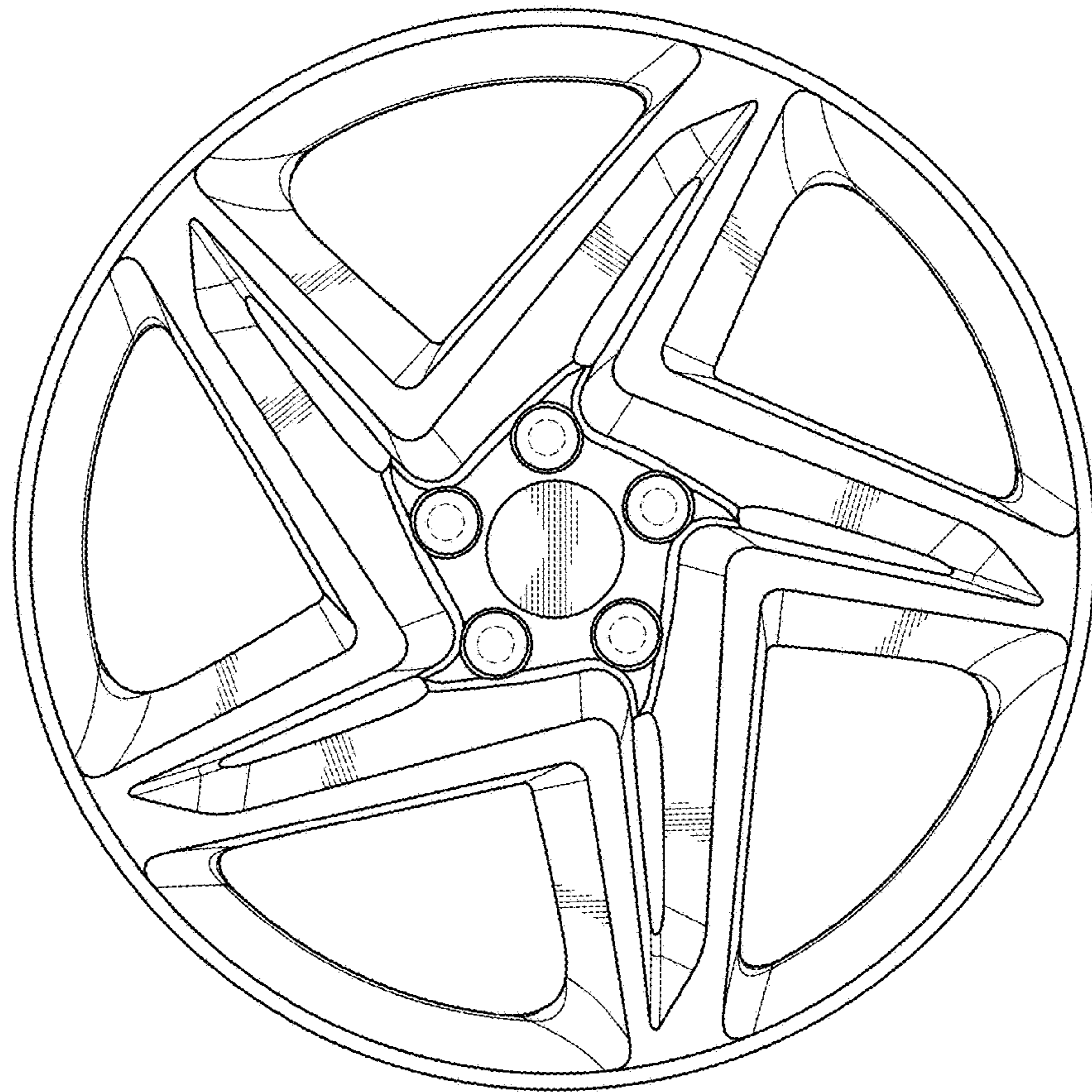


FIG. 2



*FIG. 3*

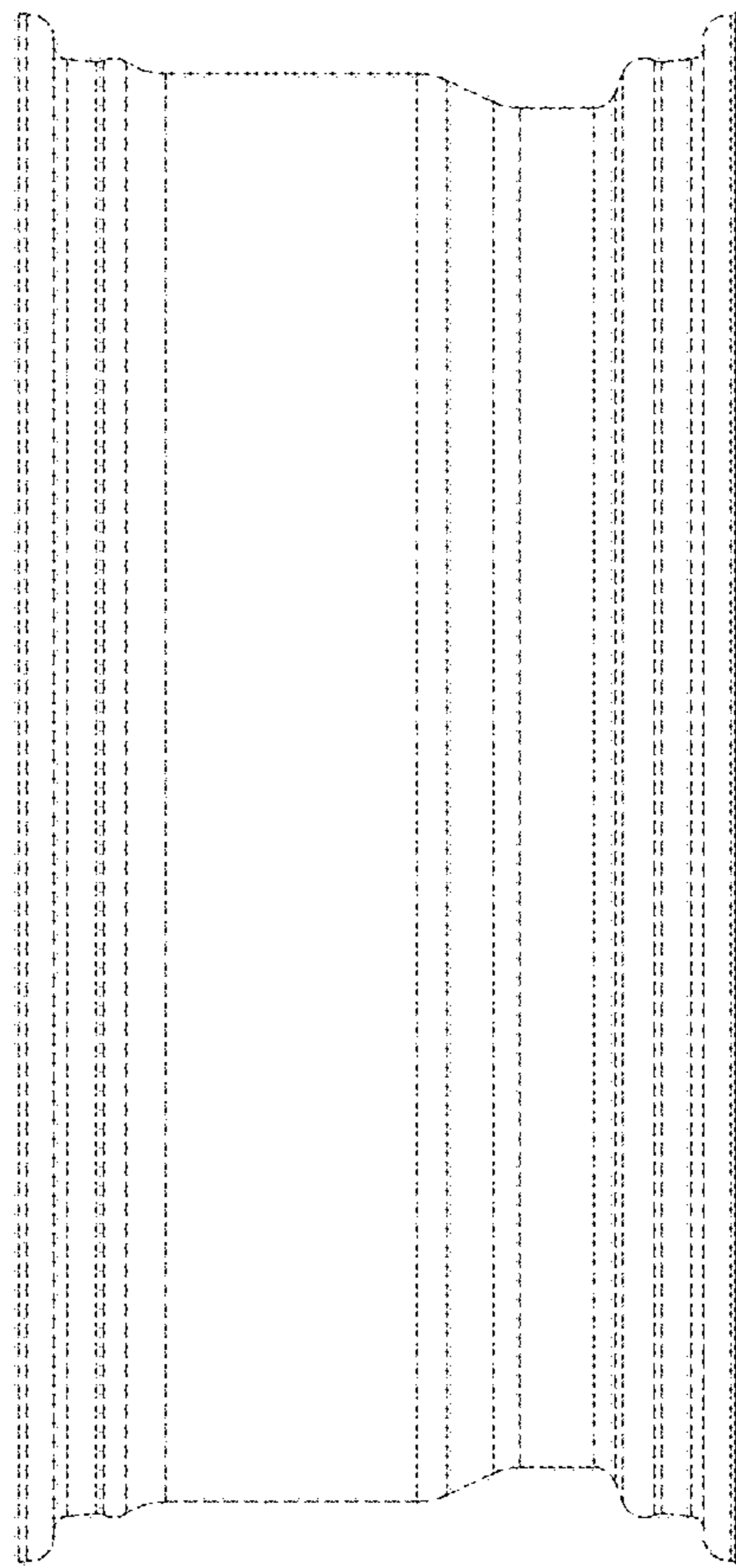


FIG. 4