



US00D844528S

(12) **United States Design Patent**
Wheel

(10) **Patent No.:** **US D844,528 S**

(45) **Date of Patent:** **** Apr. 2, 2019**

(54) **WHEEL**

(71) Applicant: **Jaguar Land Rover Limited**, Whitley,
Coventry (GB)

(72) Inventor: **Andrew Wheel**, Coventry (GB)

(73) Assignee: **Jaguar Land Rover Limited**, Whitley,
Coventry (GB)

(**) Term: **15 Years**

(21) Appl. No.: **29/603,244**

(22) Filed: **May 8, 2017**

(30) **Foreign Application Priority Data**

Nov. 11, 2016 (EM) 003459288-0001

(51) **LOC (11) Cl.** **12-16**

(52) **U.S. Cl.**
USPC **D12/209**

(58) **Field of Classification Search**

USPC D12/204-213; D21/533, 561, 563
CPC B60B 7/00; B60B 7/02; B60B 7/04; B60B
7/06; B60B 3/02; B60B 3/04; B60B 3/06;
B60B 3/10; B60B 1/00; B60B 1/08;
B60B 1/10; B60B 1/12

See application file for complete search history.

(56) **References Cited**

U.S. PATENT DOCUMENTS

D727,822 S * 4/2015 Wheel D12/209
D734,233 S * 7/2015 Wheel D12/209

D745,842 S * 12/2015 Wheel D12/209
D752,499 S * 3/2016 Sze D12/211
D759,565 S * 6/2016 Cybulski D12/209
D764,373 S * 8/2016 Valencia Pollex D12/211
D774,440 S * 12/2016 Johnson D12/211
D798,216 S * 9/2017 Snyder D12/211
D806,633 S * 1/2018 Setter D12/211

* cited by examiner

Primary Examiner — Sheryl Lane

Assistant Examiner — Calvin E Vansant

(74) *Attorney, Agent, or Firm* — Wood Herron & Evans
LLP

(57) **CLAIM**

The ornamental design for a wheel, as shown and described.

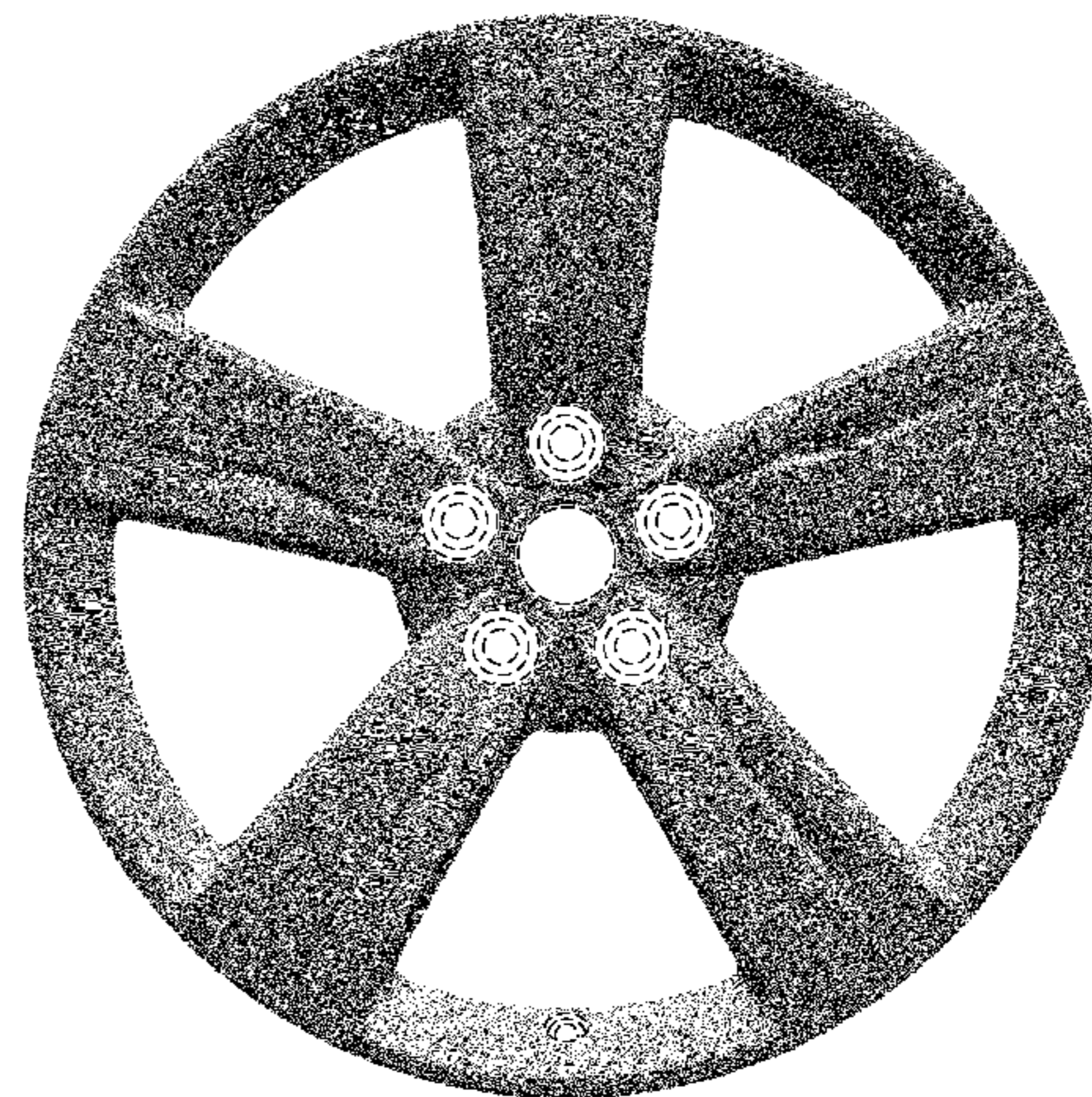
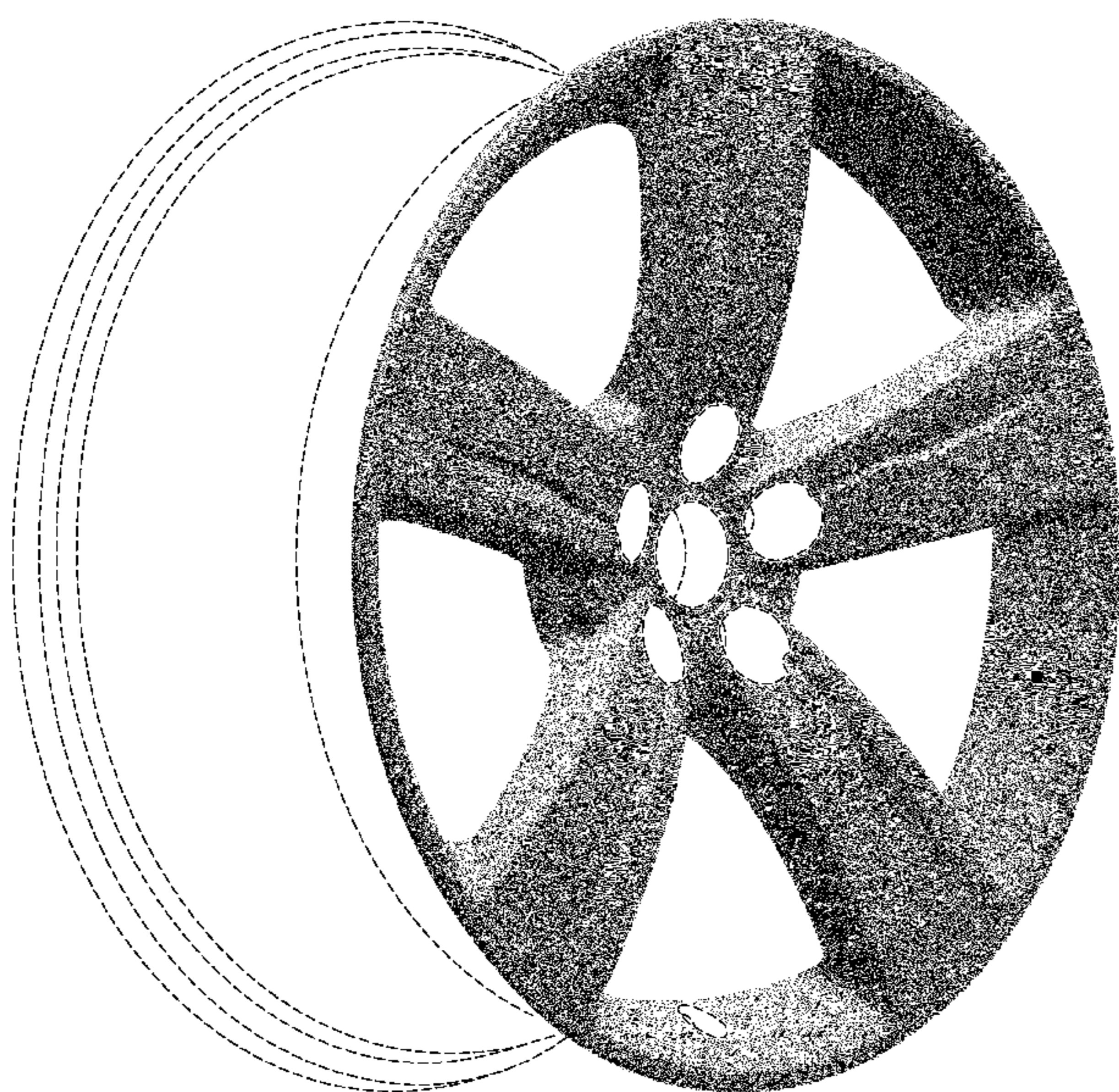
DESCRIPTION

FIG. 1 is a front left perspective view of a wheel for a vehicle according to the present invention.

FIG. 2 is a front view of the wheel shown in FIG. 1; and, FIG. 3 is a left side view thereof, the right side being a mirror image thereof.

In FIGS. 1-3, the broken lines show environmental structure and form no part of the claimed invention. More specifically, in FIGS. 1 and 2, the centrally located broken lines show wheel hub structure, including bolt holes.

1 Claim, 2 Drawing Sheets



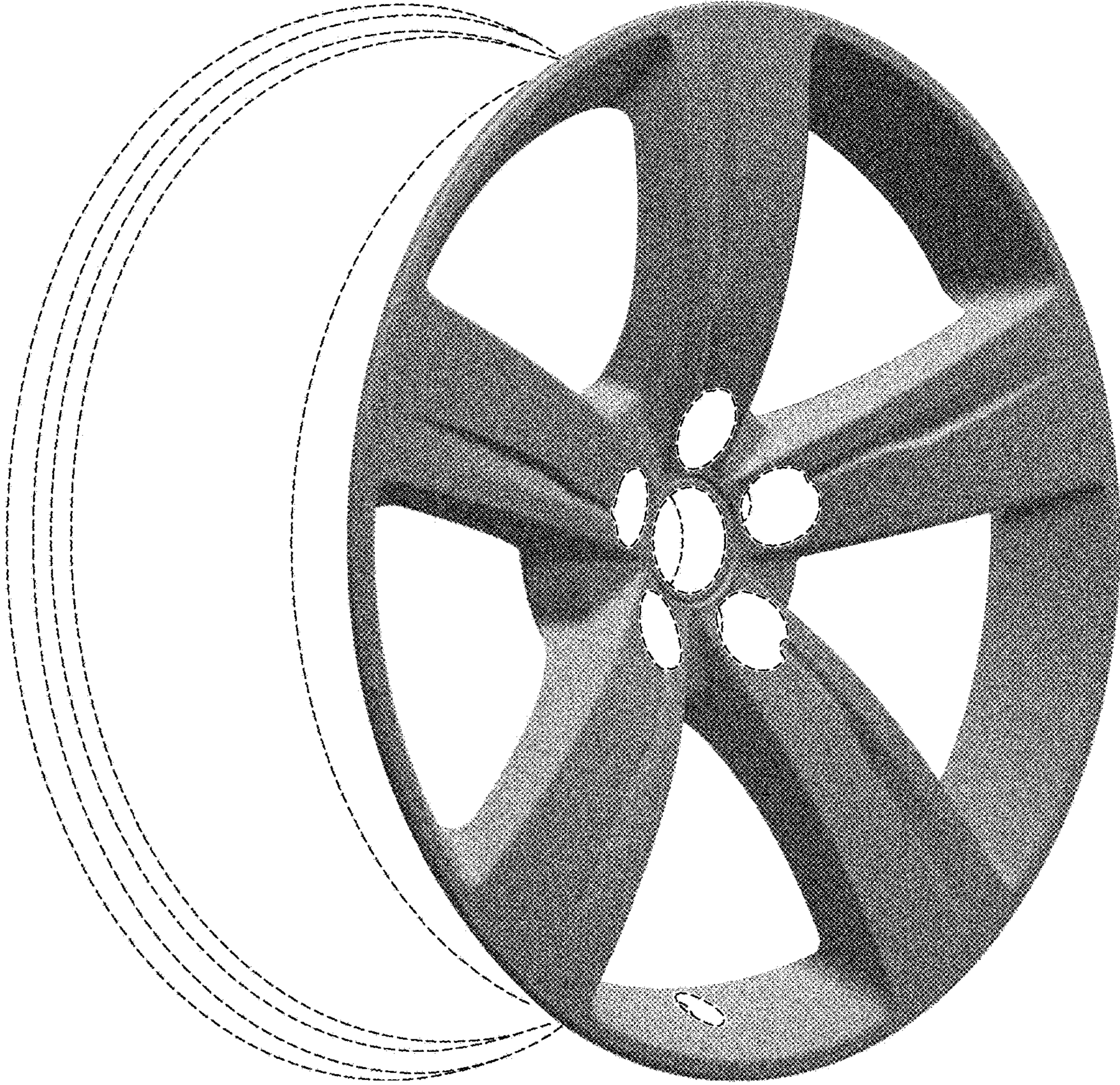


FIG. 1

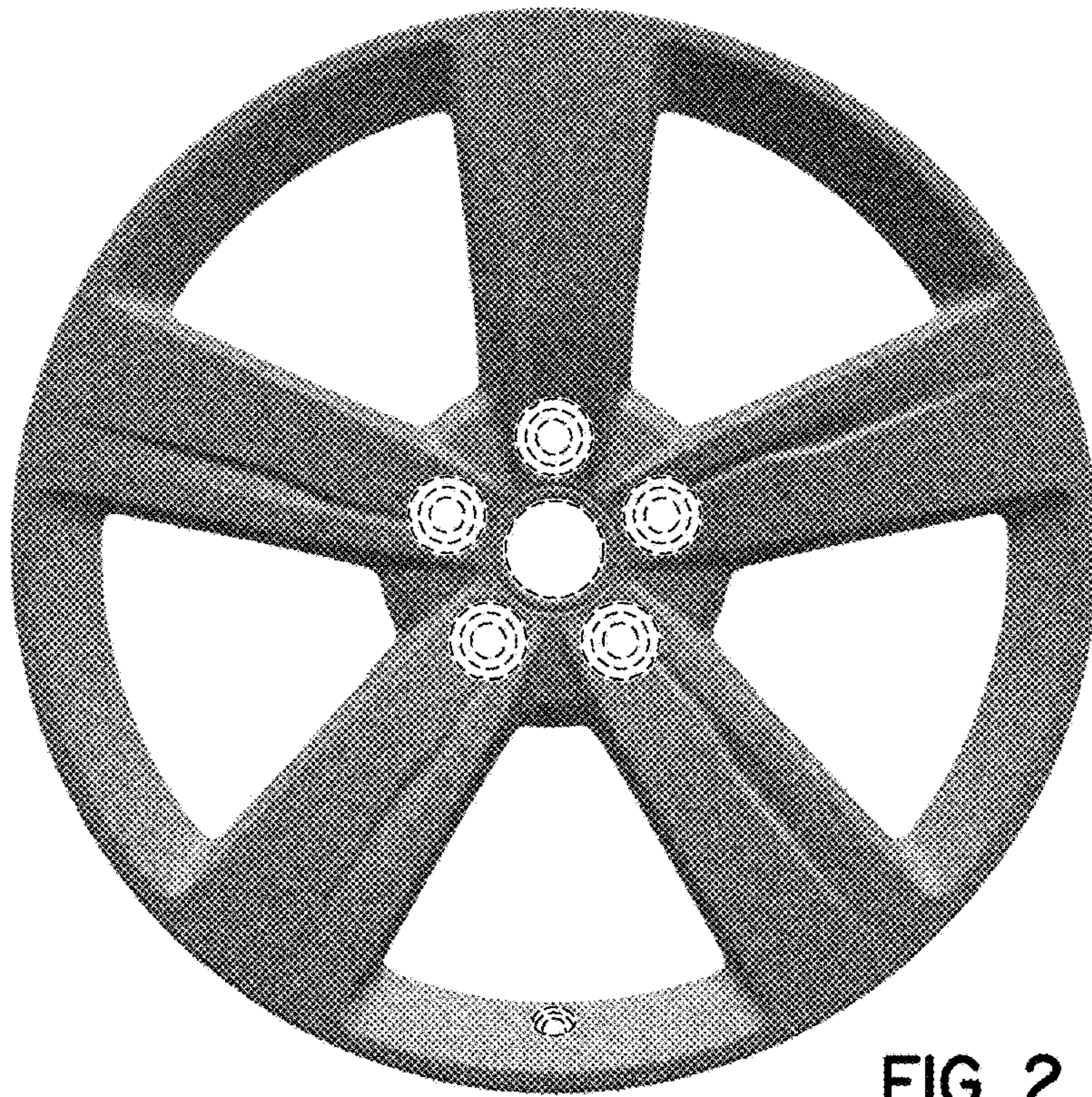


FIG. 2

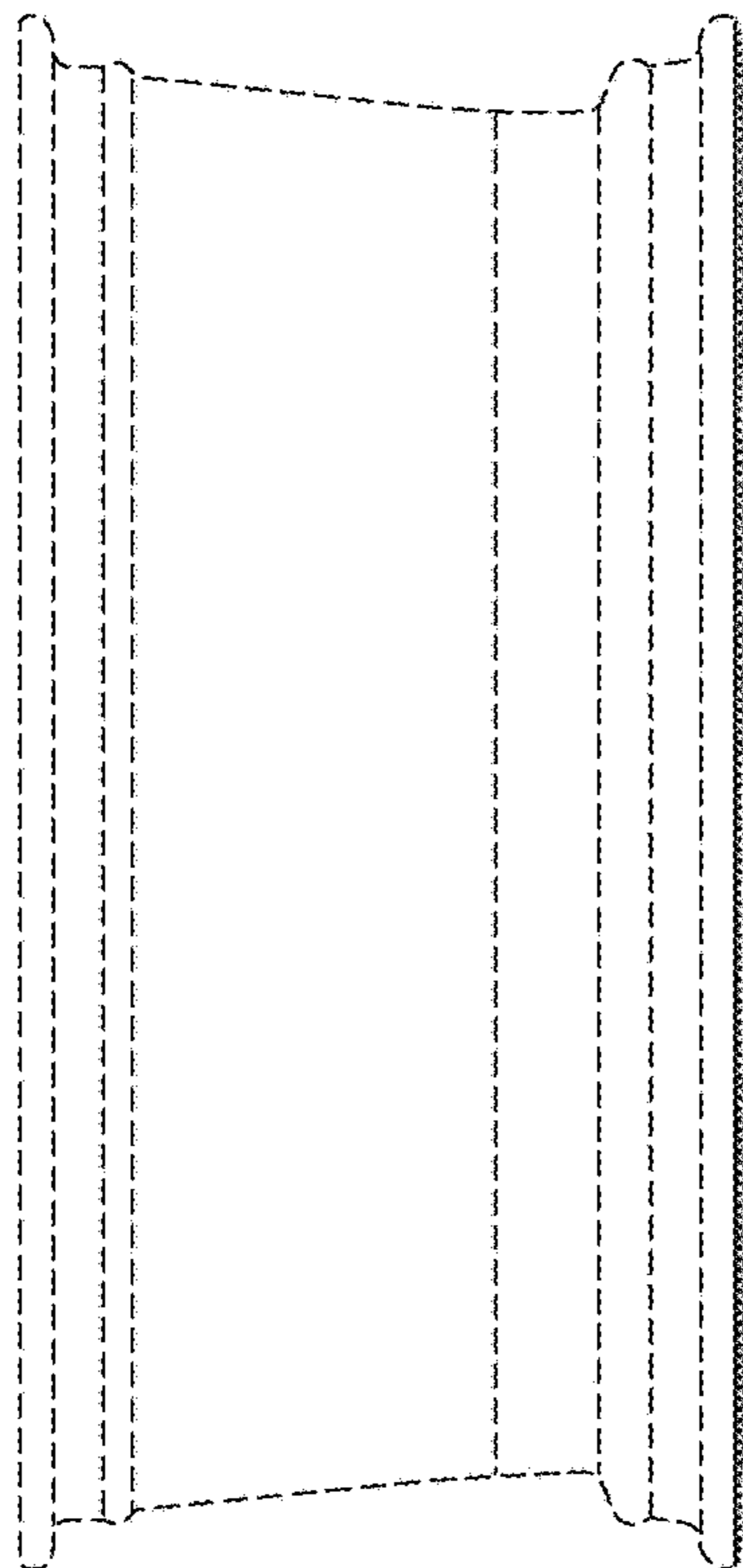


FIG. 3