



US00D844527S

(12) **United States Design Patent**
Lickliter

(10) **Patent No.:** **US D844,527 S**

(45) **Date of Patent:** **** Apr. 2, 2019**

(54) **WHEEL**

(71) Applicant: **Wheel Pros, LLC**, Greenwood Village,
CO (US)

(72) Inventor: **Hans Lickliter**, Canyon County, CA
(US)

(**) Term: **15 Years**

(21) Appl. No.: **29/582,729**

(22) Filed: **Oct. 30, 2016**

(51) **LOC (11) Cl.** **12-16**

(52) **U.S. Cl.**
USPC **D12/209**

(58) **Field of Classification Search**
USPC D12/204–213
CPC B60B 7/00; B60B 7/02; B60B 7/04; B60B
7/01; B60B 7/06; B60B 3/02; B60B 3/04;
B60B 3/06; B60B 3/10; B60B 1/00;
B60B 11/08; B60B 1/10; B60B 1/12
See application file for complete search history.

(56) **References Cited**

U.S. PATENT DOCUMENTS

D417,646 S	*	12/1999	Baumgartner	D12/211
D427,558 S	*	7/2000	Neeper	D12/211
D606,921 S	*	12/2009	Thorsten	D12/211
D620,862 S	*	8/2010	Pollmann	D12/209
D649,103 S	*	11/2011	Gallert	D12/211
D675,143 S	*	1/2013	Gebert	D12/209

D715,720 S	*	10/2014	Ender	D12/211
D747,254 S	*	1/2016	Liu	D12/211
D748,558 S	*	2/2016	Hans	D12/211
D764,367 S	*	8/2016	Gallert	D12/209
D780,657 S	*	3/2017	Welte	D12/211
D780,658 S	*	3/2017	Welte	D12/211
D786,164 S	*	5/2017	Henderson	D12/211
D786,166 S	*	5/2017	Henderson	D12/213
D792,827 S	*	7/2017	Chung	D12/209
D793,939 S	*	8/2017	Hans	D12/211
D805,992 S	*	12/2017	Heizmann	D12/211
D810,646 S	*	2/2018	Heizmann	D12/209
D826,128 S	*	8/2018	Groth	D12/209
D828,799 S	*	9/2018	Zschocke	D12/209
D829,629 S	*	10/2018	Chung	D12/209

* cited by examiner

Primary Examiner — Stacia A Cadmus

(74) *Attorney, Agent, or Firm* — Eric Hanscom

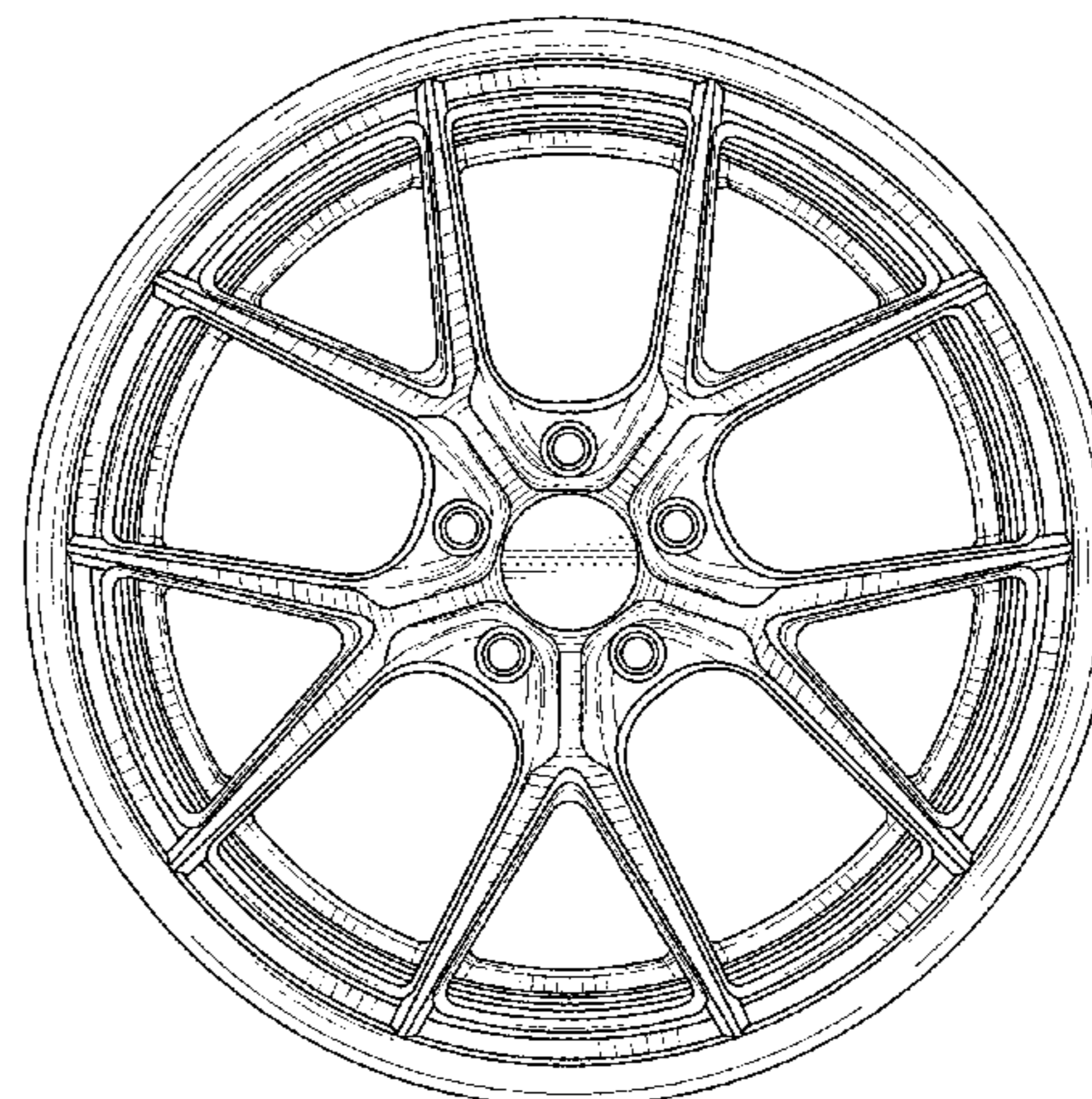
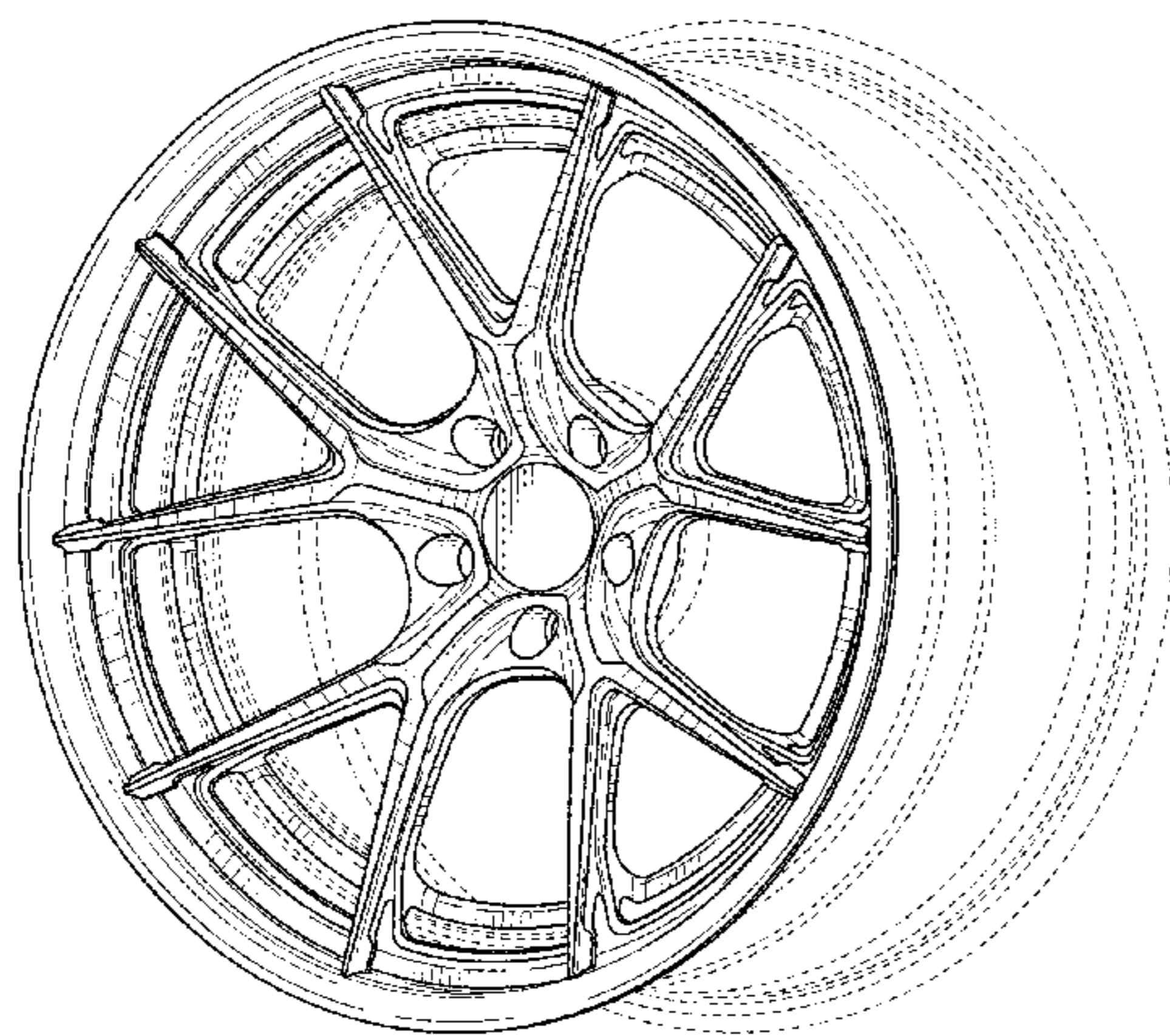
(57) **CLAIM**

The ornamental design for a wheel, as shown and described.

DESCRIPTION

FIG. 1 is a perspective view of a wheel showing my new design; and,
FIG. 2 is a front view thereof.
Portions shown in dashed lines are for illustrative purposes only and form no part of the claimed design.

1 Claim, 2 Drawing Sheets



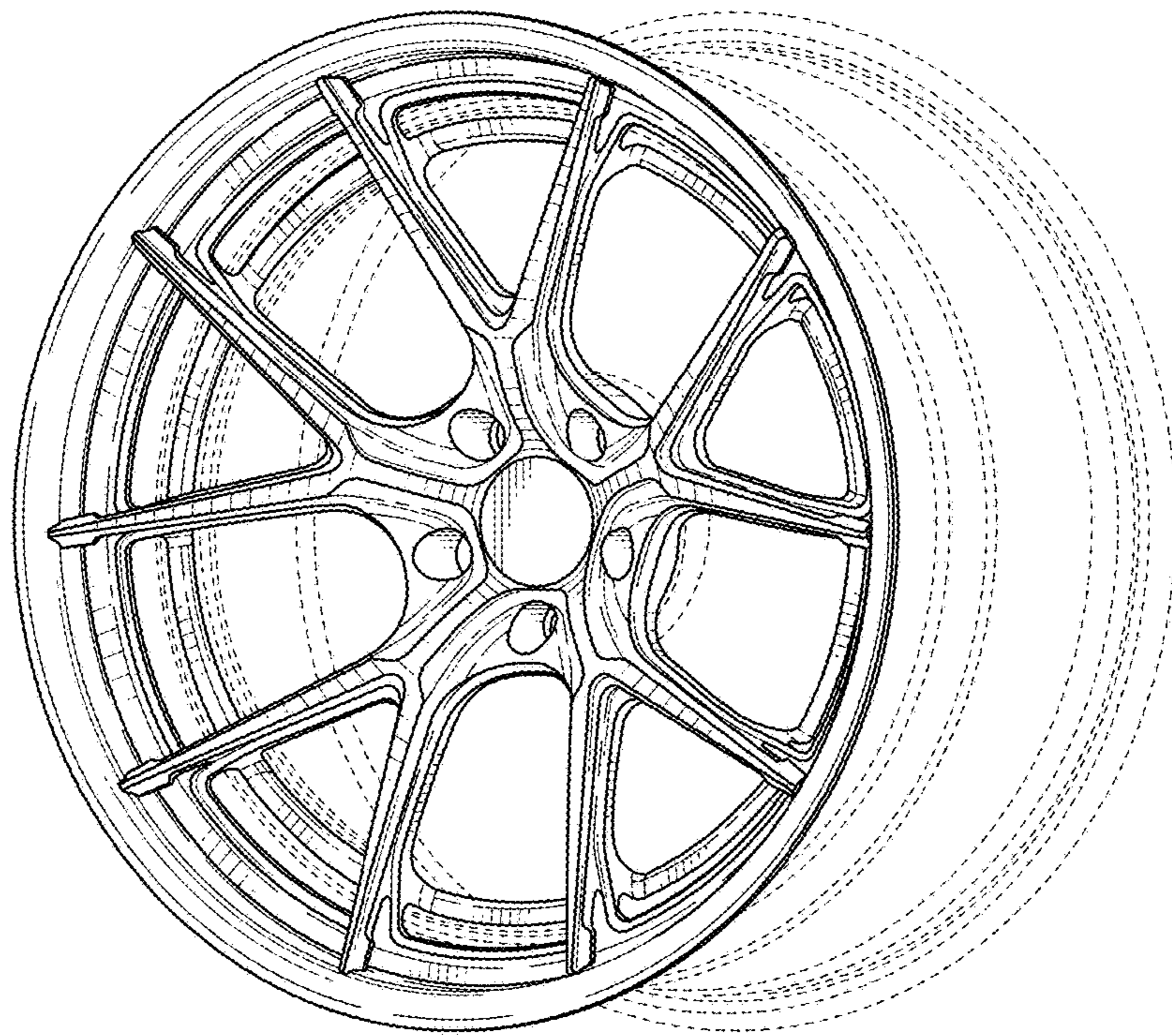


FIG. 1

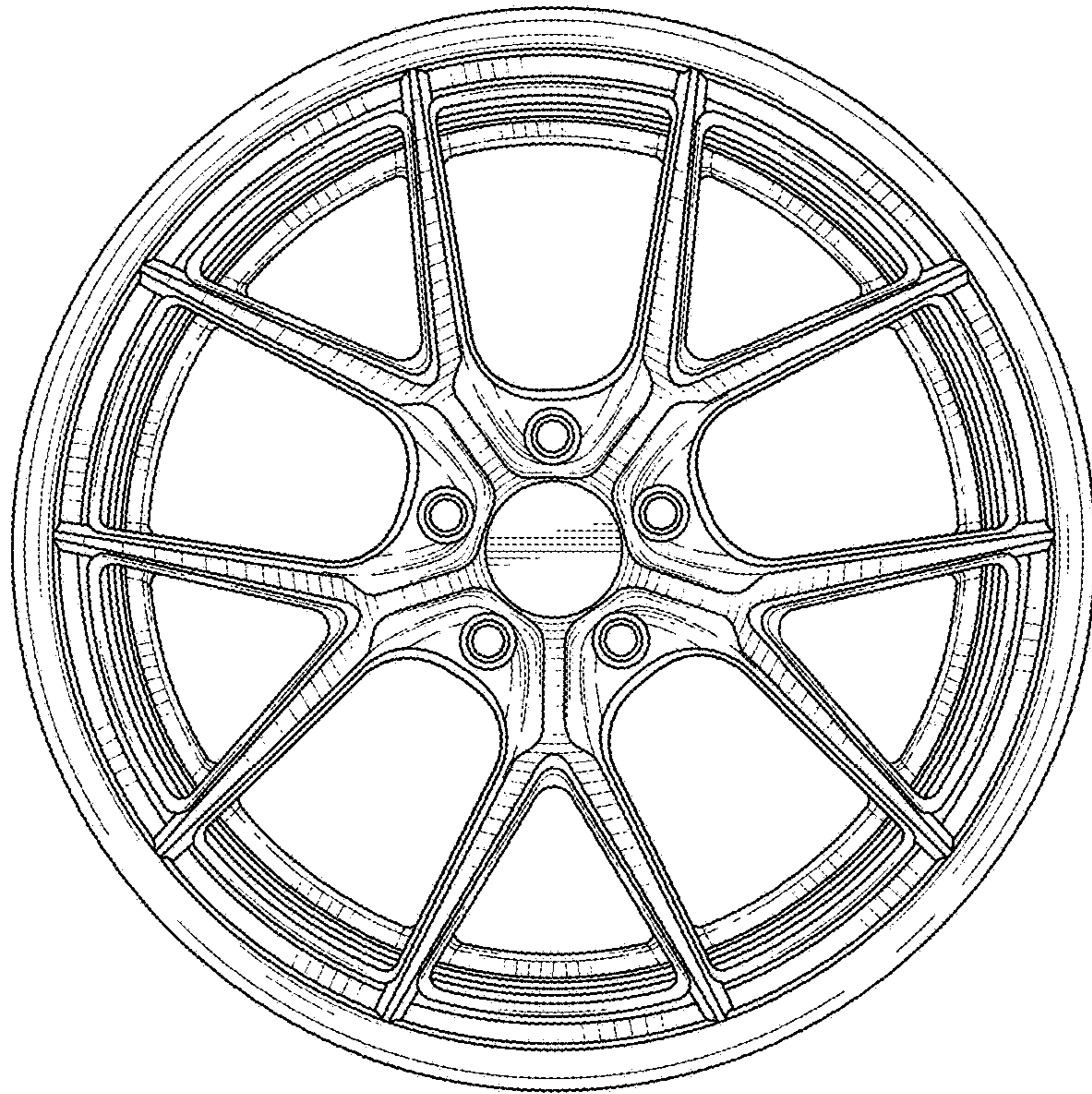


FIG. 2