

US00D844526S

(12) **United States Design Patent**  
**Villamizar et al.**

(10) **Patent No.:** **US D844,526 S**

(45) **Date of Patent:** **\*\* Apr. 2, 2019**

(54) **HUB**

(71) Applicants: **Diego Jaime Villamizar**, Medley, FL  
(US); **Jairo A. Villamizar**, Medley, FL  
(US); **Jose Antonio Villamizar**,  
Medley, FL (US)

(72) Inventors: **Diego Jaime Villamizar**, Medley, FL  
(US); **Jairo A. Villamizar**, Medley, FL  
(US); **Jose Antonio Villamizar**,  
Medley, FL (US)

(\*\*) Term: **15 Years**

(21) Appl. No.: **29/598,250**

(22) Filed: **Mar. 23, 2017**

(51) **LOC (11) Cl.** ..... **12-16**

(52) **U.S. Cl.**  
USPC ..... **D12/207**

(58) **Field of Classification Search**  
USPC ..... D12/400, 204–213; D23/411, 249, 250,  
D23/252, 253; D21/495, 561, 563, 763,  
D21/771, 779

CPC .... B60B 7/00; B60B 7/02; B60B 7/04; B60B  
7/01; B60B 7/06; B60B 3/02; B60B 3/04;  
B60B 3/06; B60B 3/10; B60B 1/00;  
B60B 1/08; B60B 1/10; B60B 1/12;  
B60B 27/00; B60B 27/0047; B60B  
27/0057; B60B 27/02; B60B 27/06; B60B  
27/065; B60B 17/02; B60B 17/0027;  
B60B 2340/34; B60B 7/0013

See application file for complete search history.

(56) **References Cited**

**U.S. PATENT DOCUMENTS**

D16,296 S \* 9/1885 Maris ..... D12/207  
D16,626 S \* 4/1886 Simpson ..... D12/207  
D16,627 S \* 4/1886 Simpson ..... D12/207  
D28,400 S \* 3/1898 Pencost ..... D12/207

D35,036 S \* 9/1901 Call ..... D12/207  
D45,829 S \* 5/1914 Ash ..... D12/207  
D45,830 S \* 5/1914 Ash ..... D12/207  
D207,053 S \* 2/1967 Cecil ..... D12/207  
D267,639 S \* 1/1983 Moore ..... D12/207  
D276,061 S \* 10/1984 Mednick ..... D21/561  
4,616,535 A \* 10/1986 Chiavon ..... B25B 13/485  
411/405  
5,024,488 A \* 6/1991 Lindhuber ..... B60B 7/0013  
301/108.2  
5,192,117 A \* 3/1993 Kuck ..... B60B 7/00  
301/108.1  
5,277,478 A \* 1/1994 Wright ..... B60B 7/04  
301/108.4  
5,302,069 A \* 4/1994 Toth ..... B60B 7/00  
411/373  
5,303,800 A \* 4/1994 Persson ..... B60B 27/001  
184/45.1

(Continued)

*Primary Examiner* — Marie D. Fast Horse

(74) *Attorney, Agent, or Firm* — Ruben Alcoba, Esq.

(57) **CLAIM**

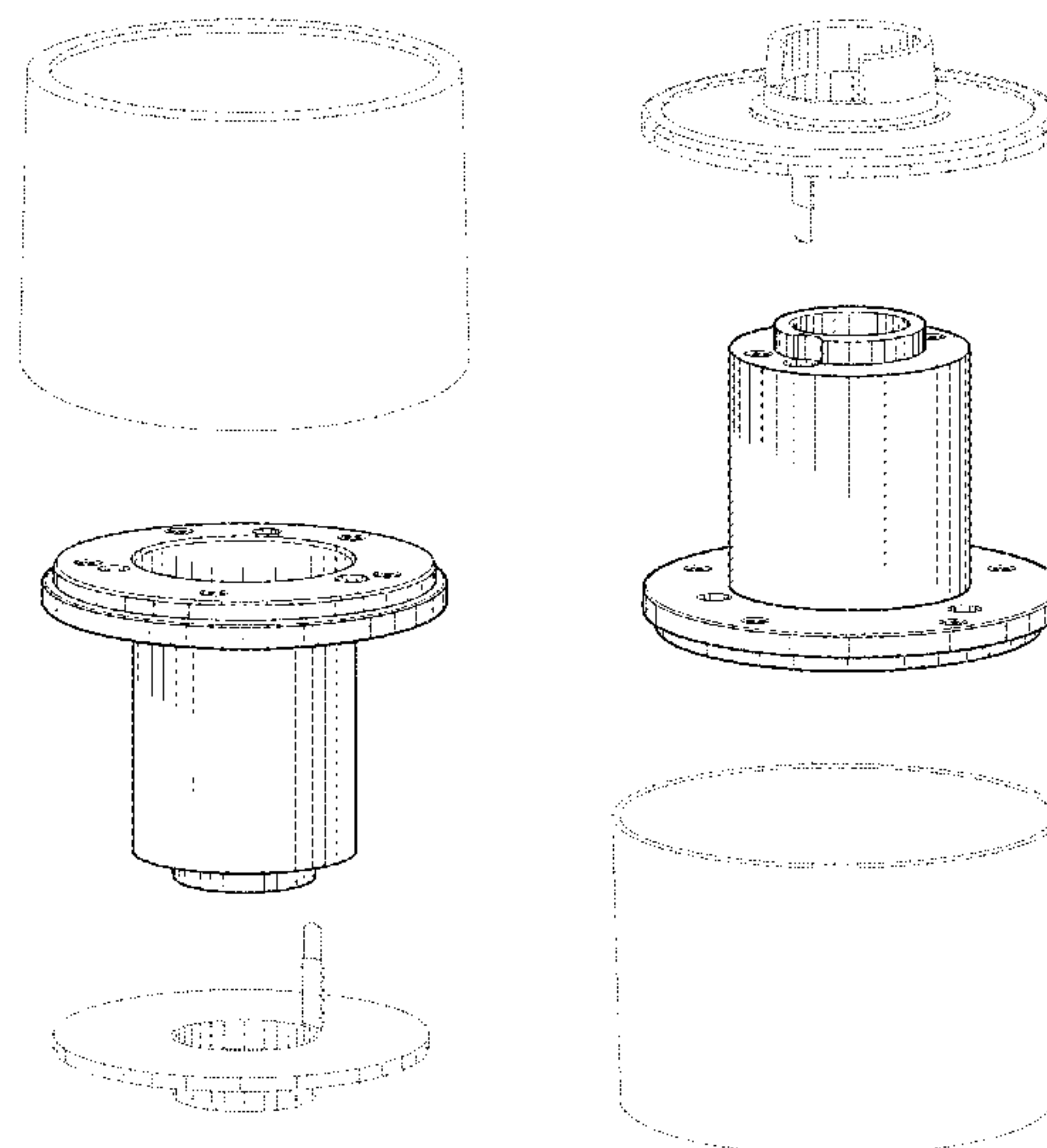
The ornamental design for a hub, as shown and described.

**DESCRIPTION**

FIG. 1 is an exploded Top perspective view of a hub;  
FIG. 2 is an exploded Bottom perspective view of the hub;  
FIG. 3 is a Top perspective view of the hub;  
FIG. 4 is a Bottom perspective view of the hub;  
FIG. 5 is a Front elevated view of the hub;  
FIG. 6 is a Back rear elevated view of the hub;  
FIG. 7 is a Left elevated view of the hub;  
FIG. 8 is a Right elevated view of the hub;  
FIG. 9 is a Top plan view of the hub; and,  
FIG. 10 is a Bottom plan view of the hub.

The large dash broken lines and the small dash broken lines shown in the drawings depict environmental structure only and form no part of the claimed design.

**1 Claim, 6 Drawing Sheets**



(56)

References Cited

U.S. PATENT DOCUMENTS

5,358,313 A \* 10/1994 Polka ..... B60B 7/04  
 301/108.4  
 D365,310 S \* 12/1995 Chen ..... D12/207  
 5,482,358 A \* 1/1996 Kuck ..... B60B 7/00  
 301/108.1  
 5,664,846 A \* 9/1997 Kuck ..... B60B 7/00  
 301/108.1  
 5,785,390 A \* 7/1998 Gold ..... B60B 7/00  
 301/108.1  
 D398,690 S \* 9/1998 Lutz ..... D12/207  
 D398,691 S \* 9/1998 Bromley ..... D12/207  
 D421,951 S \* 3/2000 Yahata ..... D12/207  
 D431,513 S \* 10/2000 Lovitt, Jr. .... D12/207  
 6,273,519 B1 \* 8/2001 Tsou ..... B60B 7/002  
 301/108.2  
 6,543,858 B1 \* 4/2003 Melton ..... B60B 27/00  
 188/72.2  
 D609,621 S \* 2/2010 Chiang ..... D12/207  
 D623,049 S \* 9/2010 Zeyfang ..... D8/397  
 D647,838 S \* 11/2011 Lohr ..... D12/207  
 D652,782 S \* 1/2012 Sato ..... D12/400  
 D659,624 S \* 5/2012 Farradas ..... D12/207  
 D690,336 S \* 9/2013 Gjertsen ..... D15/144

D709,995 S \* 7/2014 Crabbe ..... D23/262  
 D711,445 S \* 8/2014 Creager ..... D15/148  
 D749,482 S \* 2/2016 Schroeder ..... D12/207  
 9,290,044 B2 \* 3/2016 Leung ..... B60B 7/002  
 D763,661 S \* 8/2016 Ezell ..... D8/349  
 D767,658 S \* 9/2016 Creager ..... D15/148  
 9,707,801 B2 \* 7/2017 Fujita ..... B60B 27/0026  
 9,714,685 B2 \* 7/2017 Root ..... B60B 27/0052  
 9,731,550 B2 \* 8/2017 Koshiyama ..... B60B 27/04  
 D807,727 S \* 1/2018 Krombein ..... D8/354  
 9,944,349 B2 \* 4/2018 Biderman ..... B60B 1/003  
 D818,360 S \* 5/2018 Oates, II ..... D9/435  
 2011/0133542 A1 \* 6/2011 Ratti ..... B60B 1/003  
 301/6.5  
 2011/0175433 A1 \* 7/2011 Chiang ..... B60B 27/023  
 301/110.5  
 2013/0207447 A1 \* 8/2013 De Lima ..... B60B 3/145  
 301/9.1  
 2014/0152081 A1 \* 6/2014 Leung ..... B60B 7/0013  
 301/108.2  
 2016/0159142 A1 \* 6/2016 Whitten ..... B60B 7/066  
 301/108.1  
 2017/0282641 A1 \* 10/2017 Castro-Villanueva .... B60B 7/20  
 2018/0022149 A1 \* 1/2018 Bai ..... B60B 7/00  
 301/37.25

\* cited by examiner

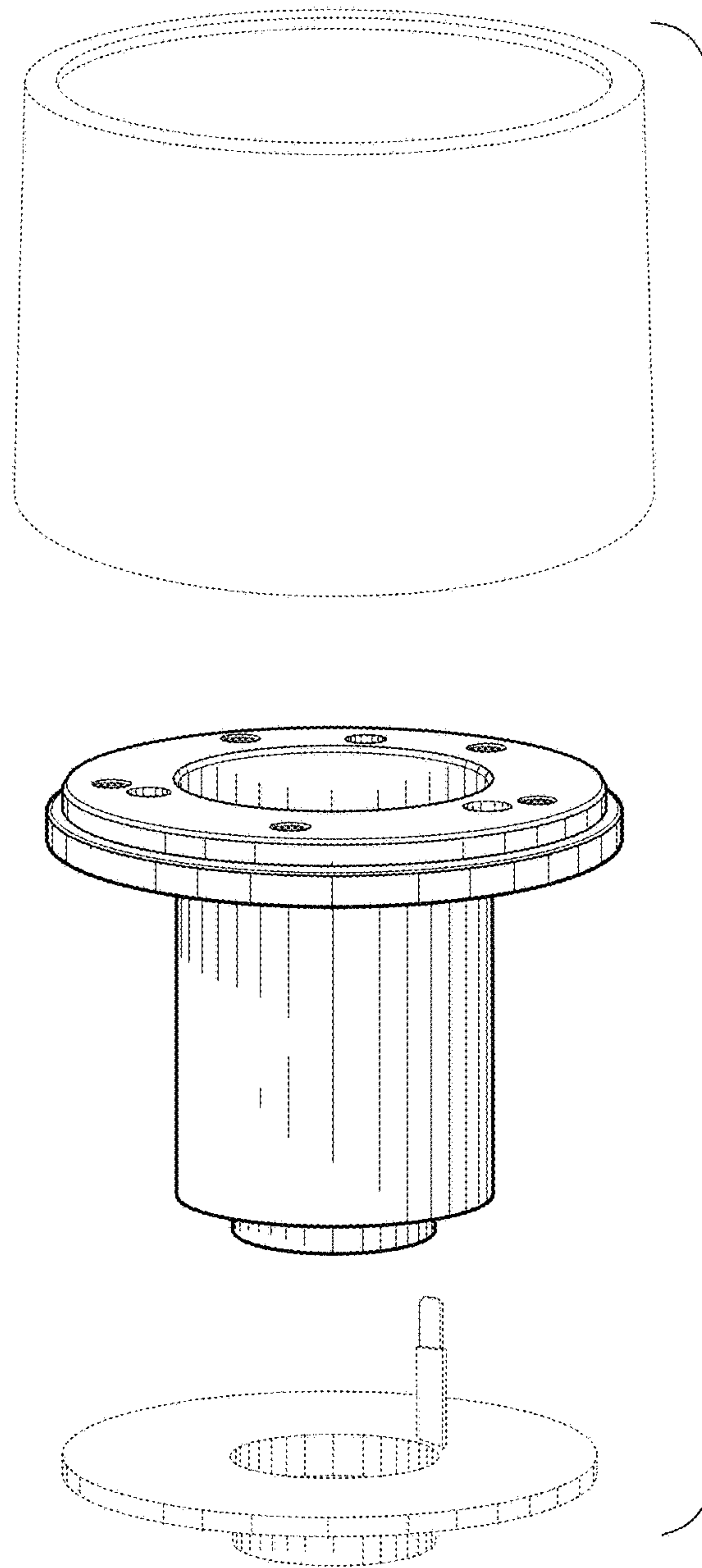
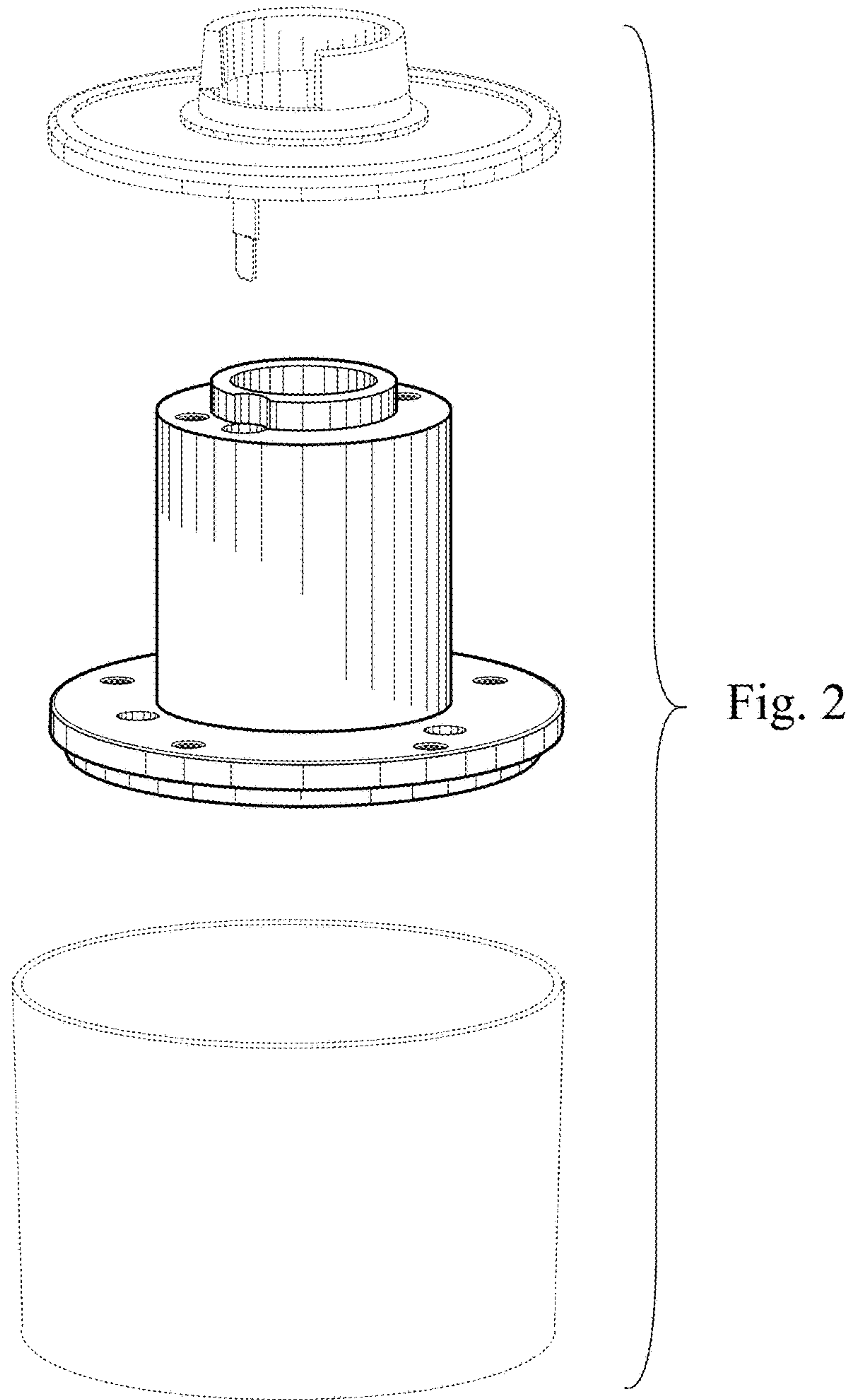


Fig. 1





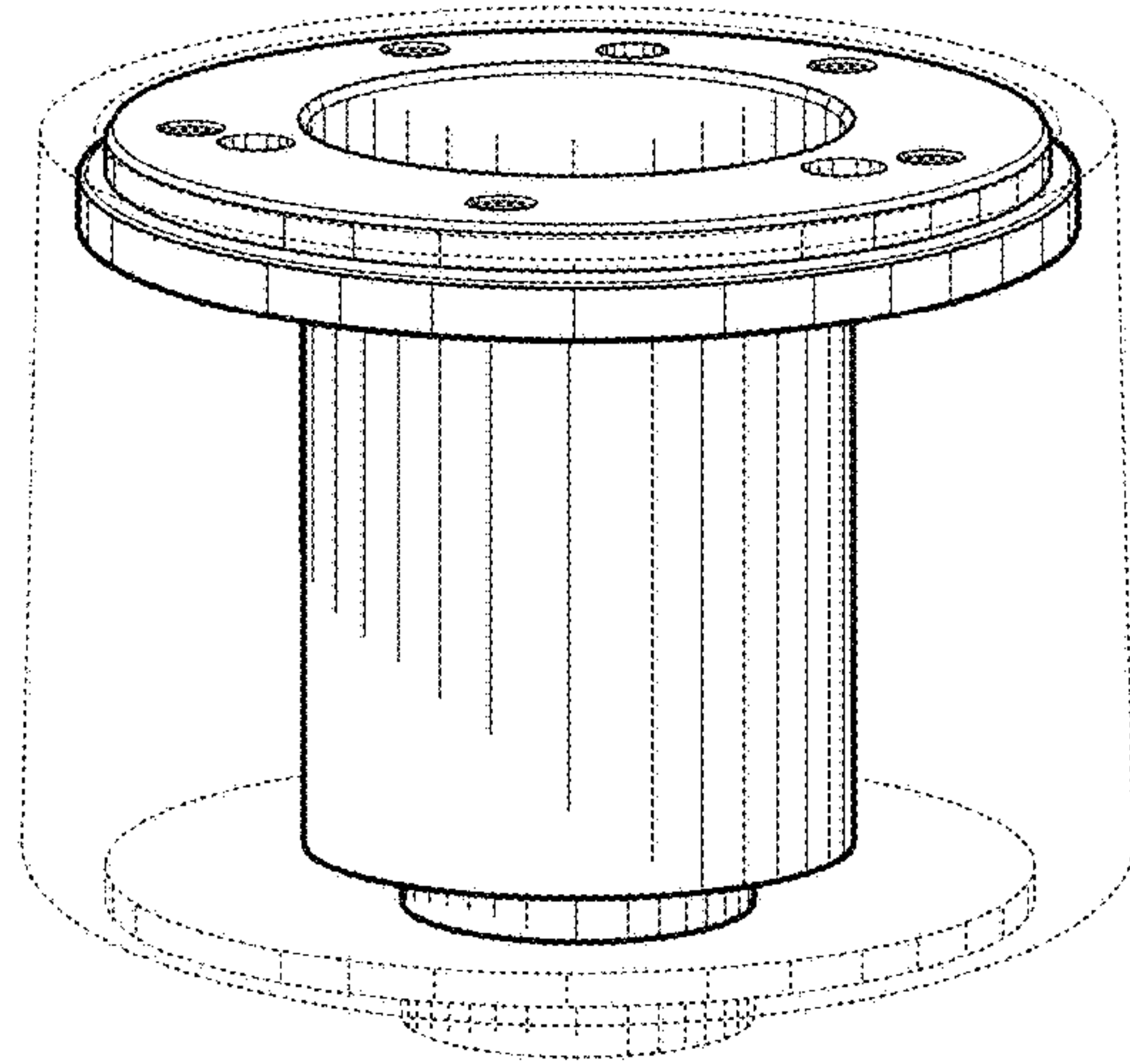


Fig. 3

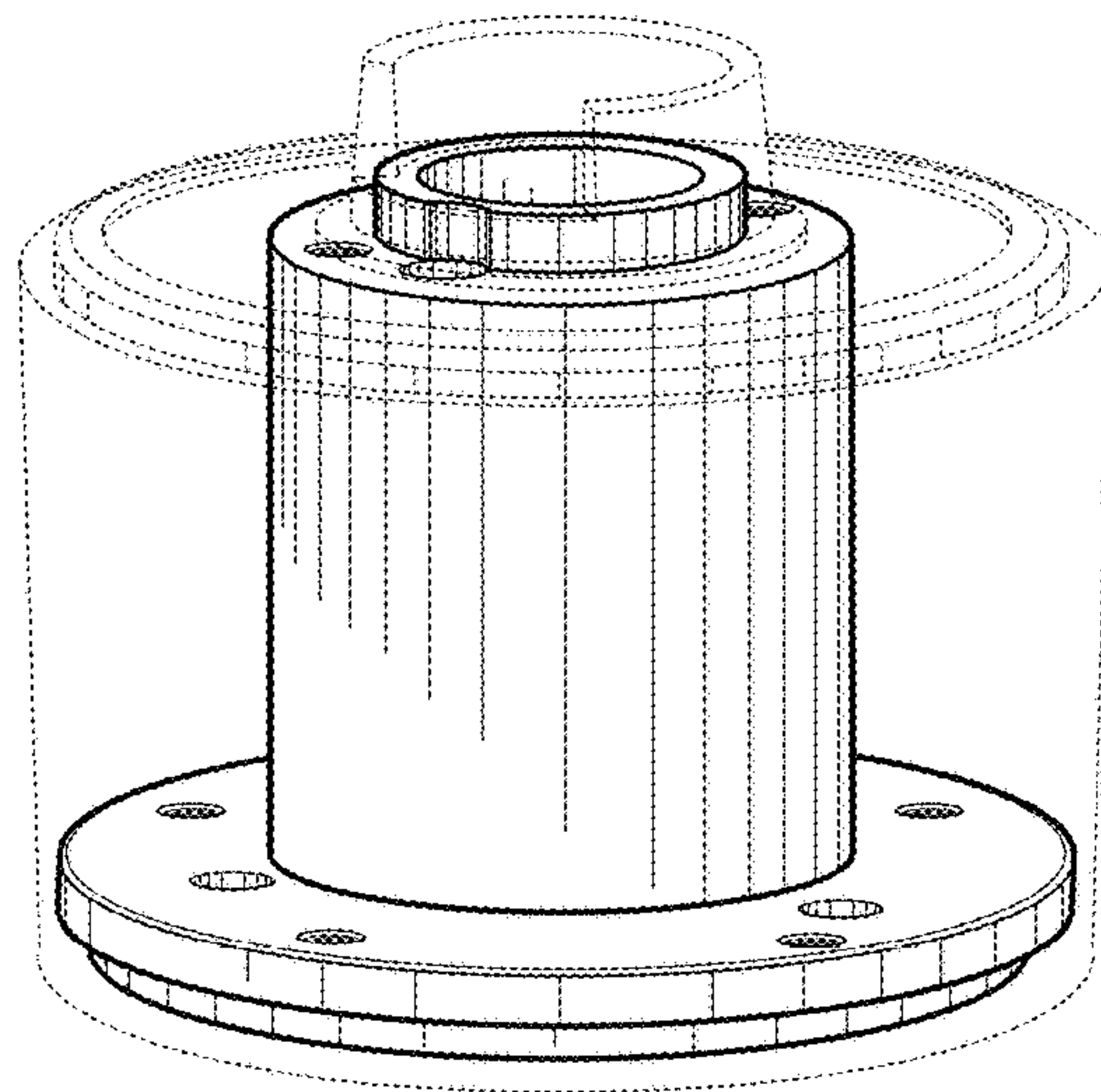


Fig. 4

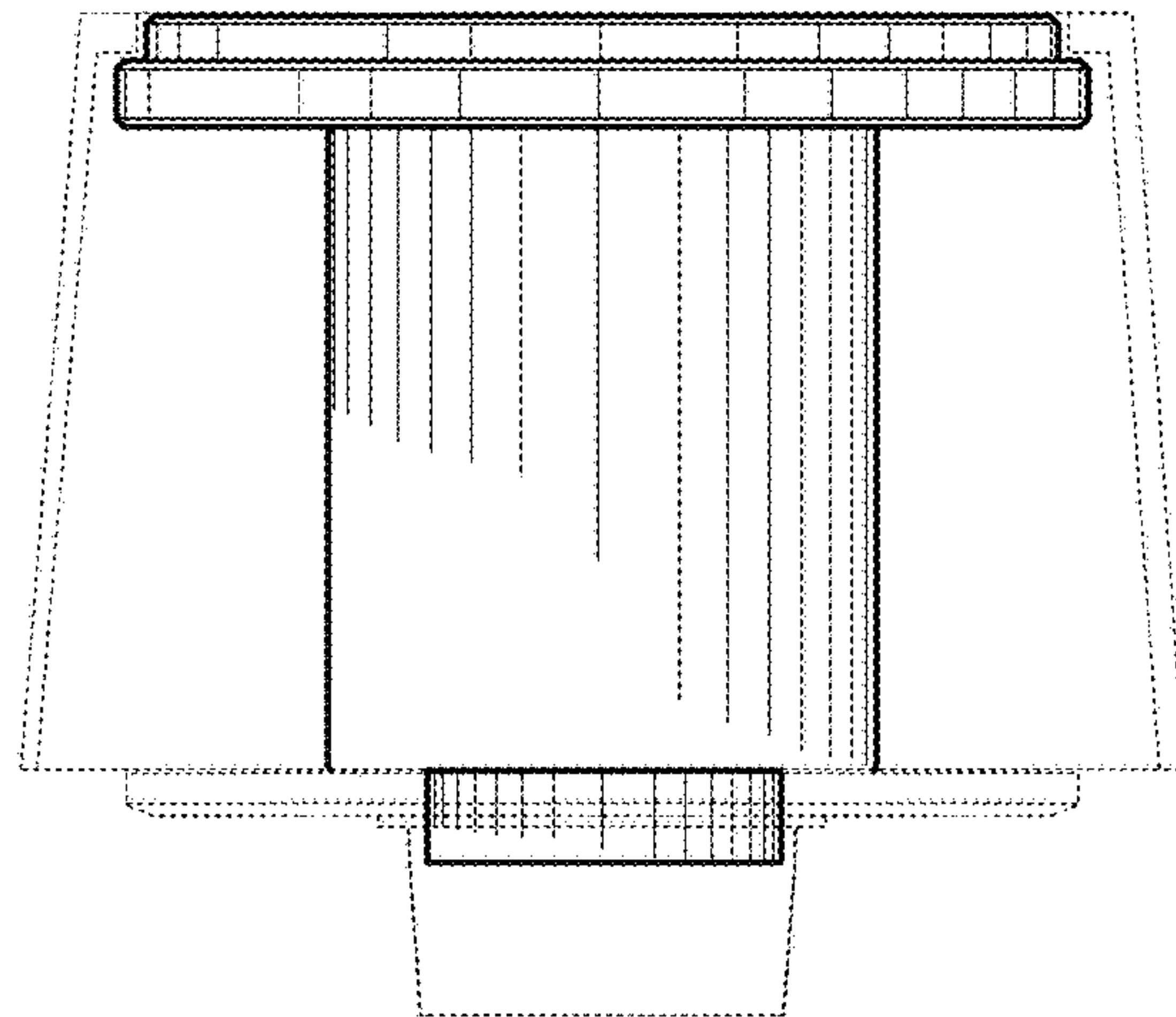


Fig. 5

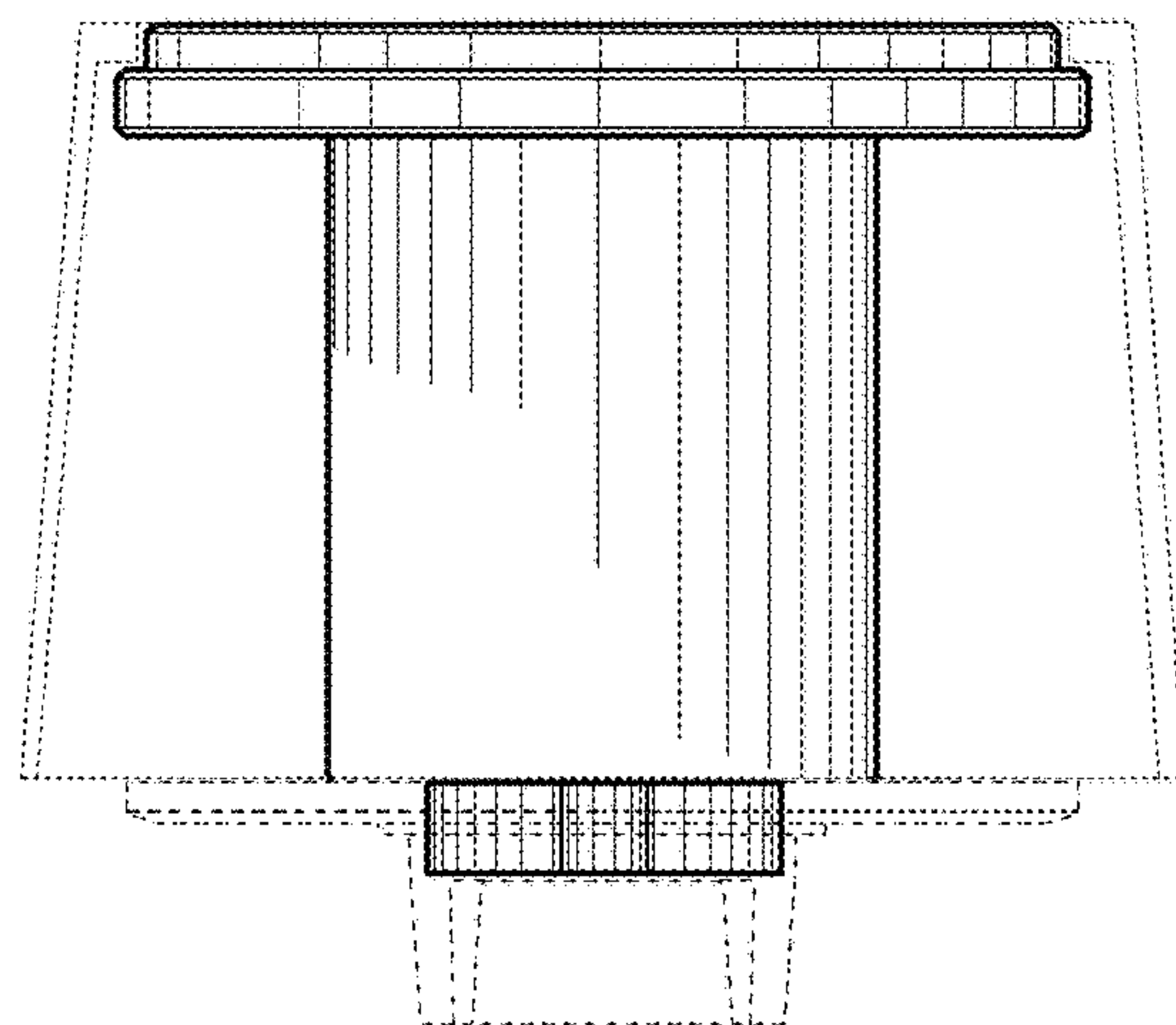


Fig. 6

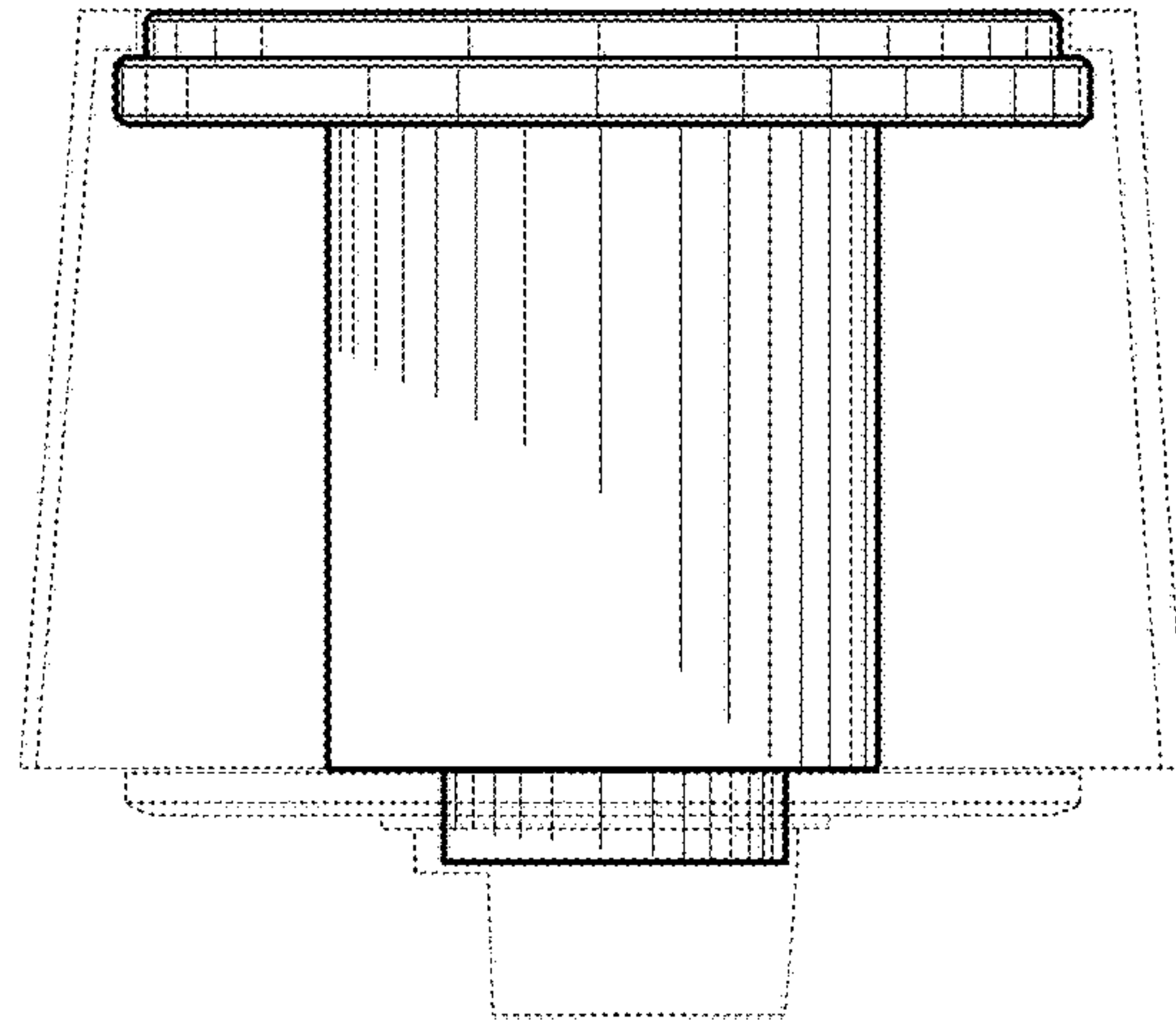


Fig. 7

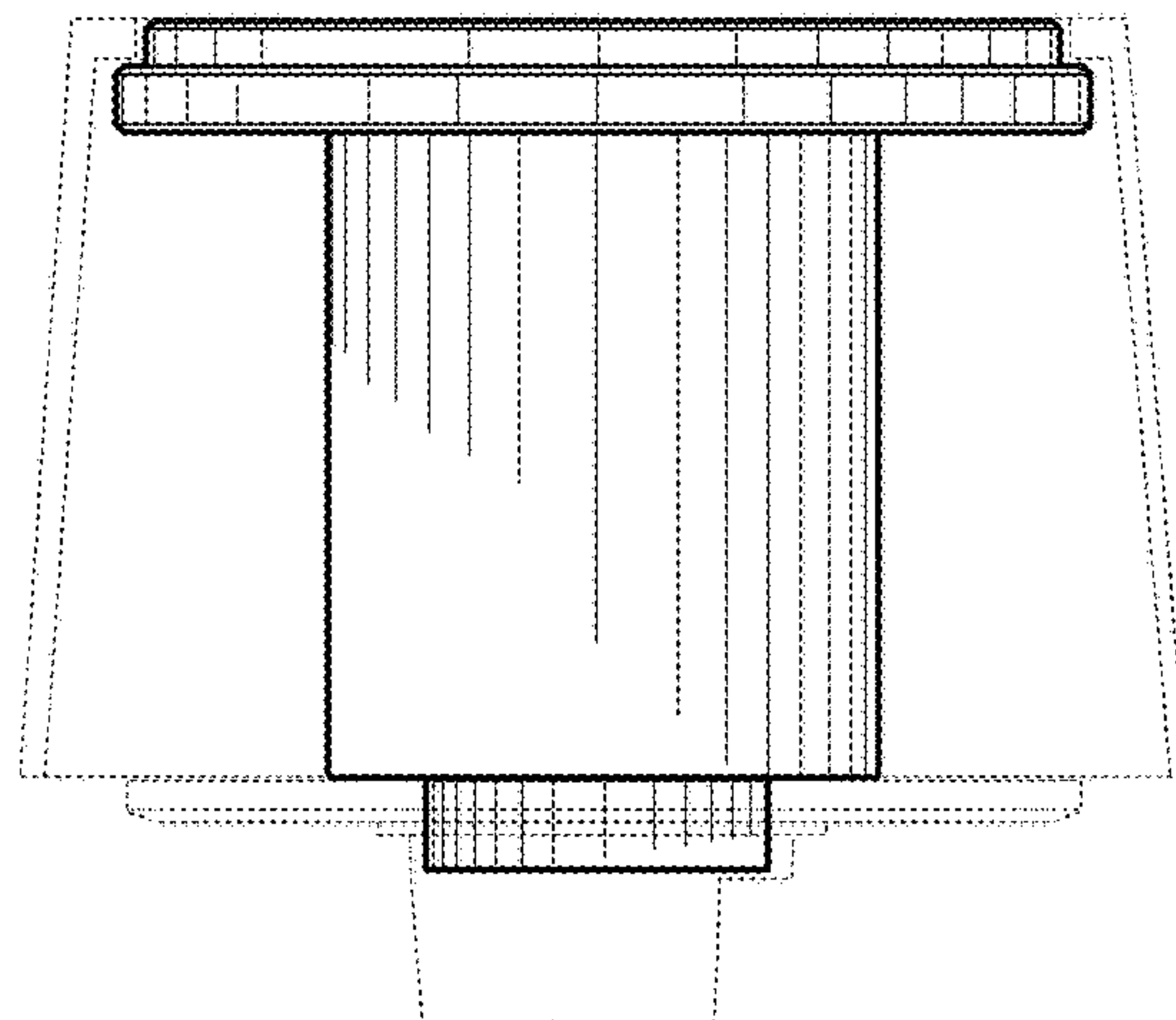


Fig. 8

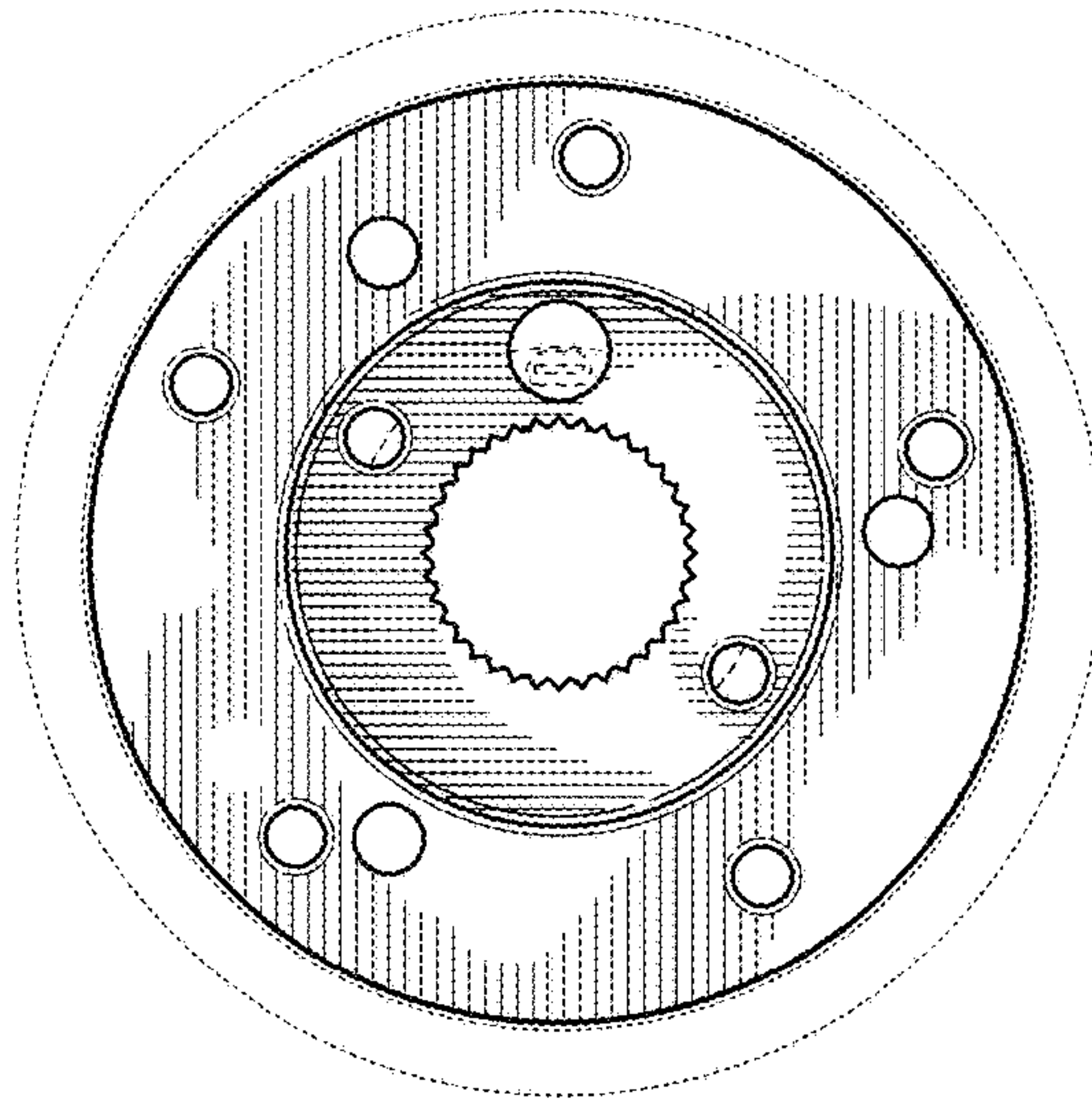


Fig. 9

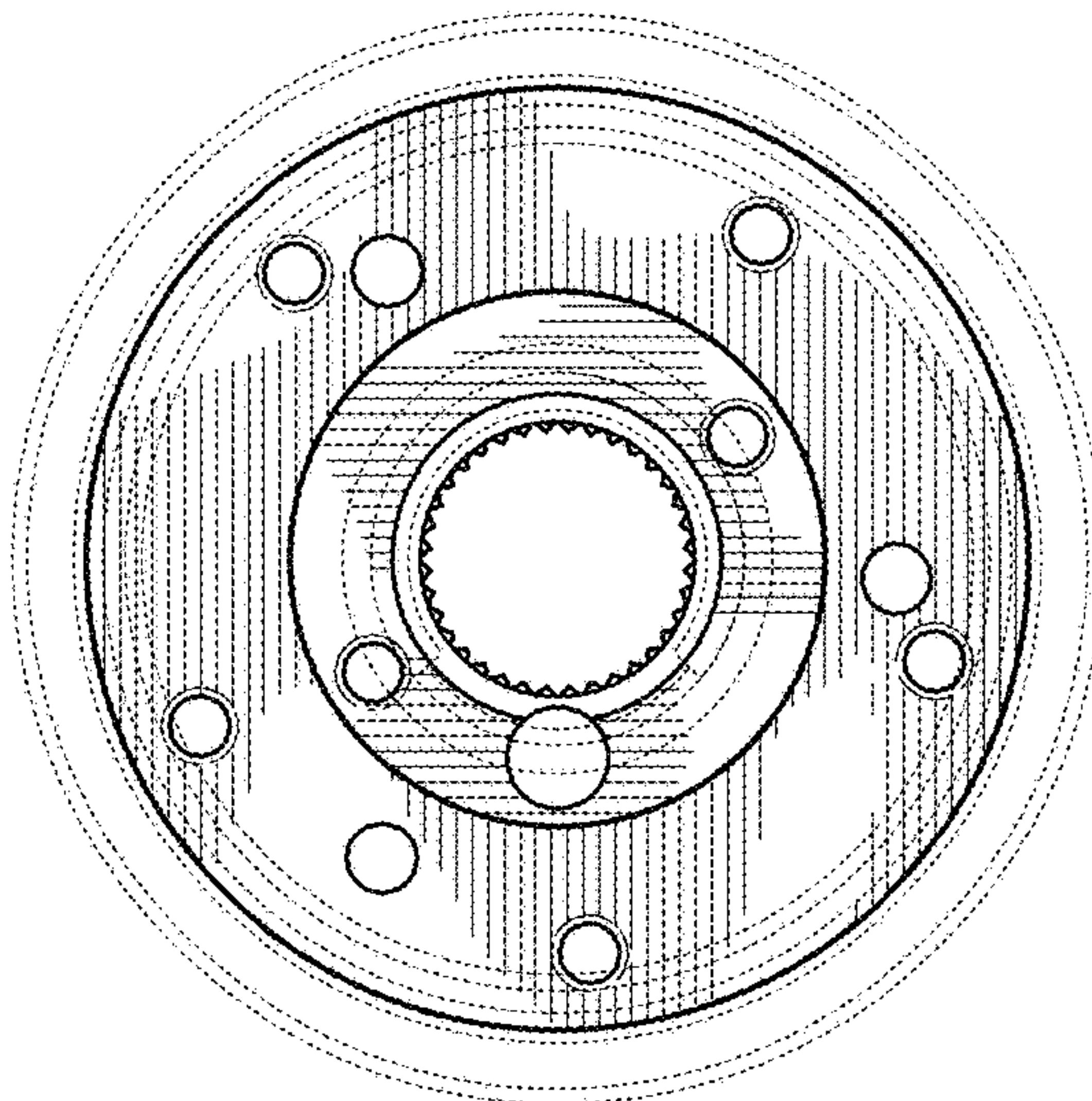


Fig. 10