

US00D844525S

(12) **United States Design Patent**
Villamizar et al.

(10) **Patent No.:** **US D844,525 S**

(45) **Date of Patent:** **** Apr. 2, 2019**

(54) **HUB**

(71) Applicants: **Diego Jaime Villamizar**, Medley, FL
(US); **Jairo A. Villamizar**, Medley, FL
(US); **Jose Antonio Villamizar**,
Medley, FL (US)

(72) Inventors: **Diego Jaime Villamizar**, Medley, FL
(US); **Jairo A. Villamizar**, Medley, FL
(US); **Jose Antonio Villamizar**,
Medley, FL (US)

(**) Term: **15 Years**

(21) Appl. No.: **29/598,248**

(22) Filed: **Mar. 23, 2017**

(51) **LOC (11) Cl.** **12-16**

(52) **U.S. Cl.**
USPC **D12/207**

(58) **Field of Classification Search**
USPC D12/400, 204–213; D23/411, 249, 250,
D23/252, 253; D21/495, 561, 563, 763,
D21/771, 779

CPC B60B 7/00; B60B 7/02; B60B 7/04; B60B
7/01; B60B 7/06; B60B 3/02; B60B 3/04;
B60B 3/06; B60B 3/10; B60B 1/00;
B60B 1/08; B60B 1/10; B60B 1/12;
B60B 27/00; B60B 27/0047; B60B
27/0057; B60B 27/02; B60B 27/06; B60B
27/065; B60B 17/02; B60B 17/0027;
B60B 2340/34; B60B 7/0013
See application file for complete search history.

(56) **References Cited**

U.S. PATENT DOCUMENTS

D16,296 S * 9/1885 Maris D12/207
D16,626 S * 4/1886 Simpson D12/207
D16,627 S * 4/1886 Simpson D12/207

D28,400 S * 3/1898 Pencost D12/207
D35,036 S * 9/1901 Call D12/207
D45,829 S * 5/1914 Ash D12/207
D45,830 S * 5/1914 Ash D12/207
D207,053 S * 2/1967 Cecil D12/207
D267,639 S * 1/1983 Moore D12/207
D276,061 S * 10/1984 Mednick D21/561
4,616,535 A * 10/1986 Chiavon B25B 13/485
411/405
5,024,488 A * 6/1991 Lindhuber B60B 7/0013
301/108.2
5,192,117 A * 3/1993 Kuck B60B 7/00
301/108.1
5,277,478 A * 1/1994 Wright B60B 7/04
301/108.4
5,302,069 A * 4/1994 Toth B60B 7/00
411/373
5,303,800 A * 4/1994 Persson B60B 27/001
184/45.1

(Continued)

Primary Examiner — Marie D. Fast Horse

(74) *Attorney, Agent, or Firm* — Ruben Alcoba, Esq.

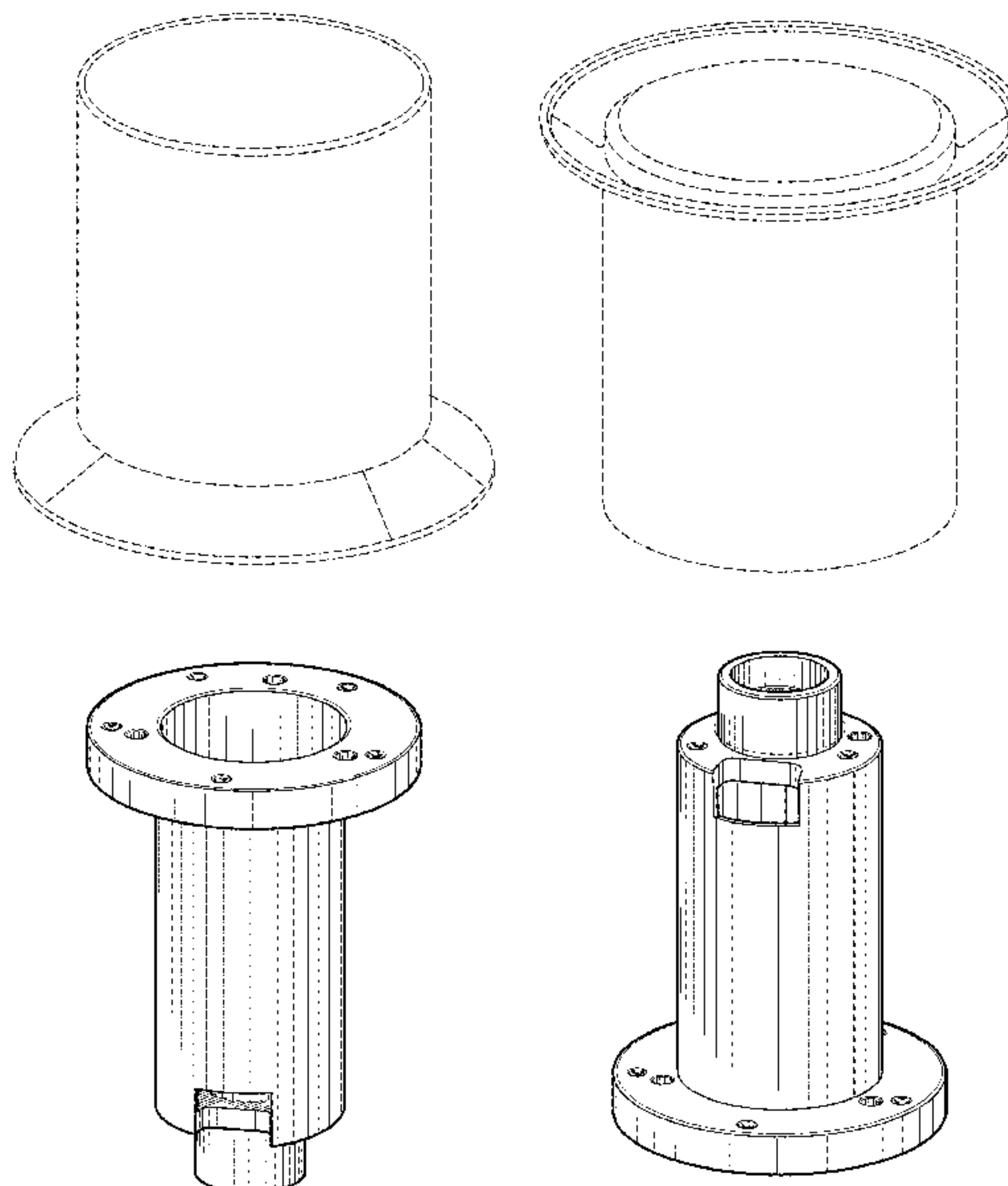
(57) **CLAIM**

The ornamental design for a hub, as shown and described.

DESCRIPTION

FIG. 1 is an exploded Top perspective view of a hub;
FIG. 2 is an exploded Bottom perspective view of the hub;
FIG. 3 is a Top perspective view of the hub;
FIG. 4 is a Bottom perspective view of the hub;
FIG. 5 is a Front elevated view of the hub;
FIG. 6 is a Back rear elevated view of the hub;
FIG. 7 is a Left elevated view of the hub;
FIG. 8 is a Right elevated view of the hub;
FIG. 9 is a Top plan view of the hub; and,
FIG. 10 is a Bottom plan view of the hub.
The broken lines shown in the drawings depict environmen-
tal structure only and form no part of the claimed design

1 Claim, 6 Drawing Sheets



(56)

References Cited

U.S. PATENT DOCUMENTS

5,358,313 A * 10/1994 Polka B60B 7/04
 301/108.4
 D365,310 S * 12/1995 Chen D12/207
 5,482,358 A * 1/1996 Kuck B60B 7/00
 301/108.1
 5,664,846 A * 9/1997 Kuck B60B 7/00
 301/108.1
 5,785,390 A * 7/1998 Gold B60B 7/00
 301/108.1
 D398,690 S * 9/1998 Lutz D12/207
 D398,691 S * 9/1998 Bromley D12/207
 D421,951 S * 3/2000 Yahata D12/207
 D431,513 S * 10/2000 Lovitt, Jr. D12/207
 6,273,519 B1 * 8/2001 Tsou B60B 7/002
 301/108.2
 6,543,858 B1 * 4/2003 Melton B60B 27/00
 188/72.2
 D609,621 S * 2/2010 Chiang D12/207
 D623,049 S * 9/2010 Zeyfang D8/397
 D647,838 S * 11/2011 Lohr D12/207
 D652,782 S * 1/2012 Sato D12/400
 D659,624 S * 5/2012 Farradas D12/207
 D690,336 S * 9/2013 Gjertsen D15/144

D709,995 S * 7/2014 Crabbe D23/262
 D711,445 S * 8/2014 Creager D15/148
 D749,482 S * 2/2016 Schroeder D12/207
 9,290,044 B2 * 3/2016 Leung B60B 7/002
 D763,661 S * 8/2016 Ezell D8/349
 D767,658 S * 9/2016 Creager D15/148
 9,707,801 B2 * 7/2017 Fujita B60B 27/0026
 9,714,685 B2 * 7/2017 Root B60B 27/0052
 9,731,550 B2 * 8/2017 Koshiyama B60B 27/04
 D807,727 S * 1/2018 Krombein D8/354
 9,944,349 B2 * 4/2018 Biderman B60B 1/003
 D818,360 S * 5/2018 Oates, II D9/435
 2011/0133542 A1 * 6/2011 Ratti B60B 1/003
 301/6.5
 2011/0175433 A1 * 7/2011 Chiang B60B 27/023
 301/110.5
 2013/0207447 A1 * 8/2013 De Lima B60B 3/145
 301/9.1
 2014/0152081 A1 * 6/2014 Leung B60B 7/0013
 301/108.2
 2016/0159142 A1 * 6/2016 Whitten B60B 7/066
 301/108.1
 2017/0282641 A1 * 10/2017 Castro-Villanueva B60B 7/20
 2018/0022149 A1 * 1/2018 Bai B60B 7/00
 301/37.25

* cited by examiner

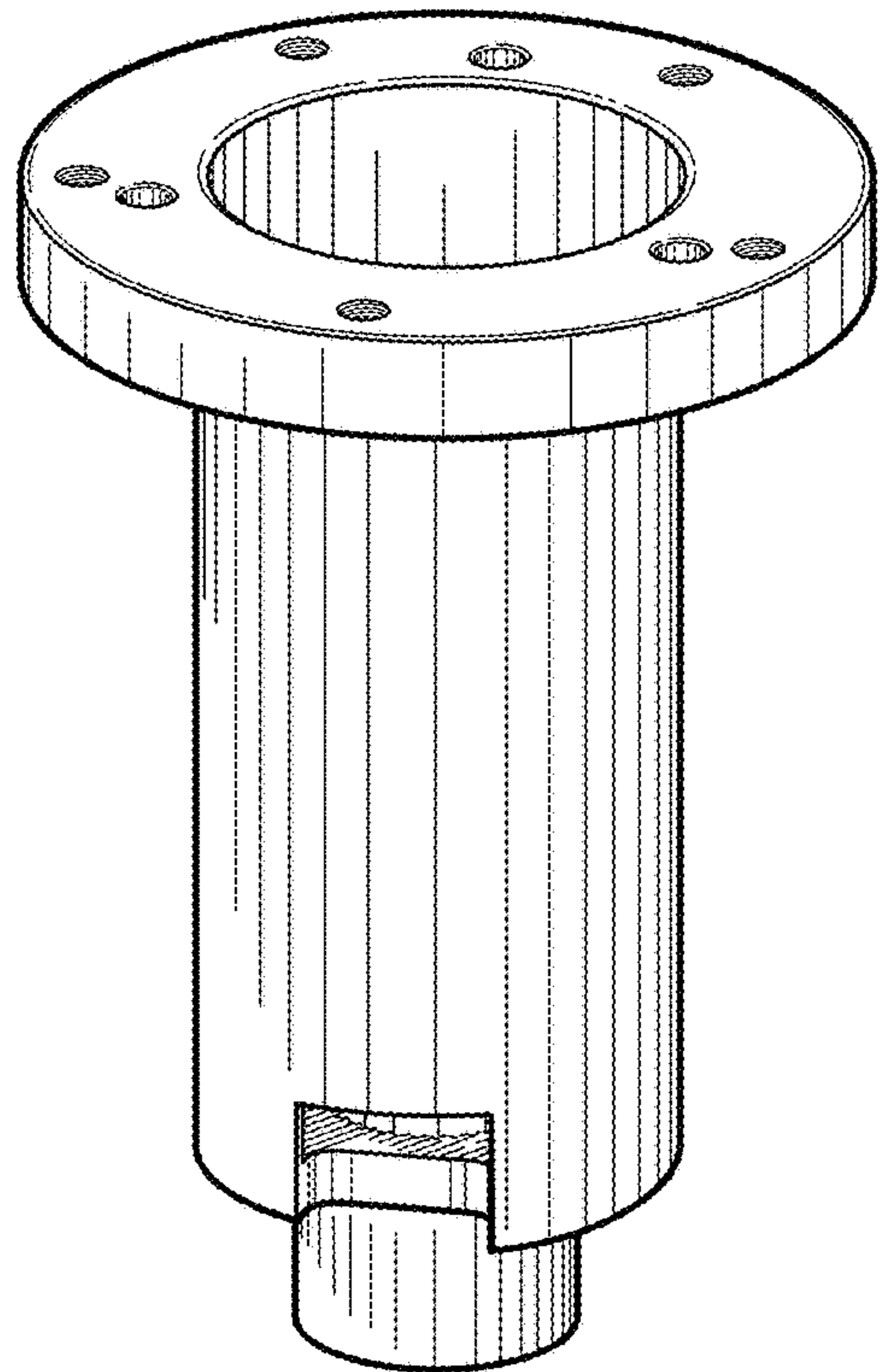
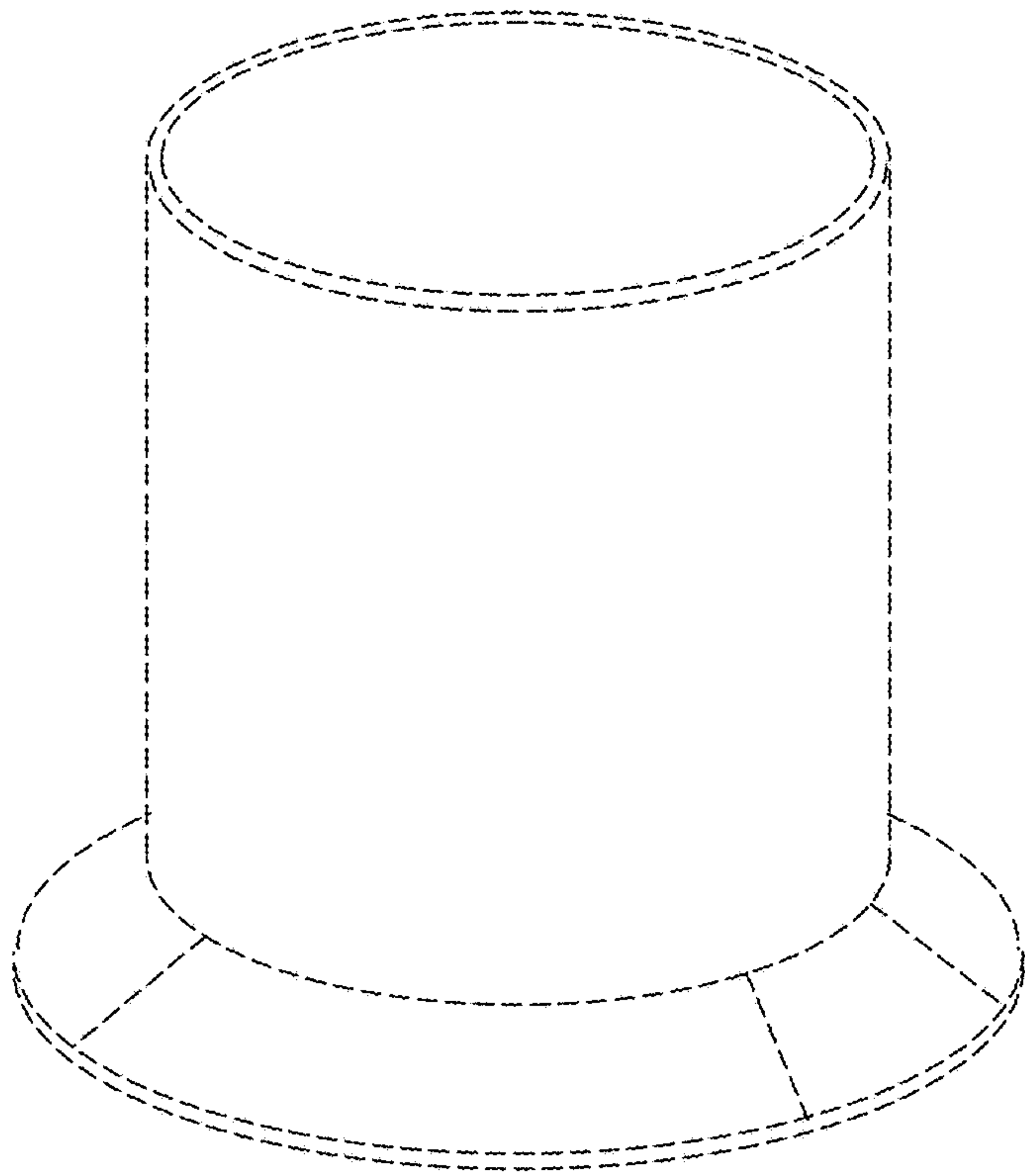


Fig. 1

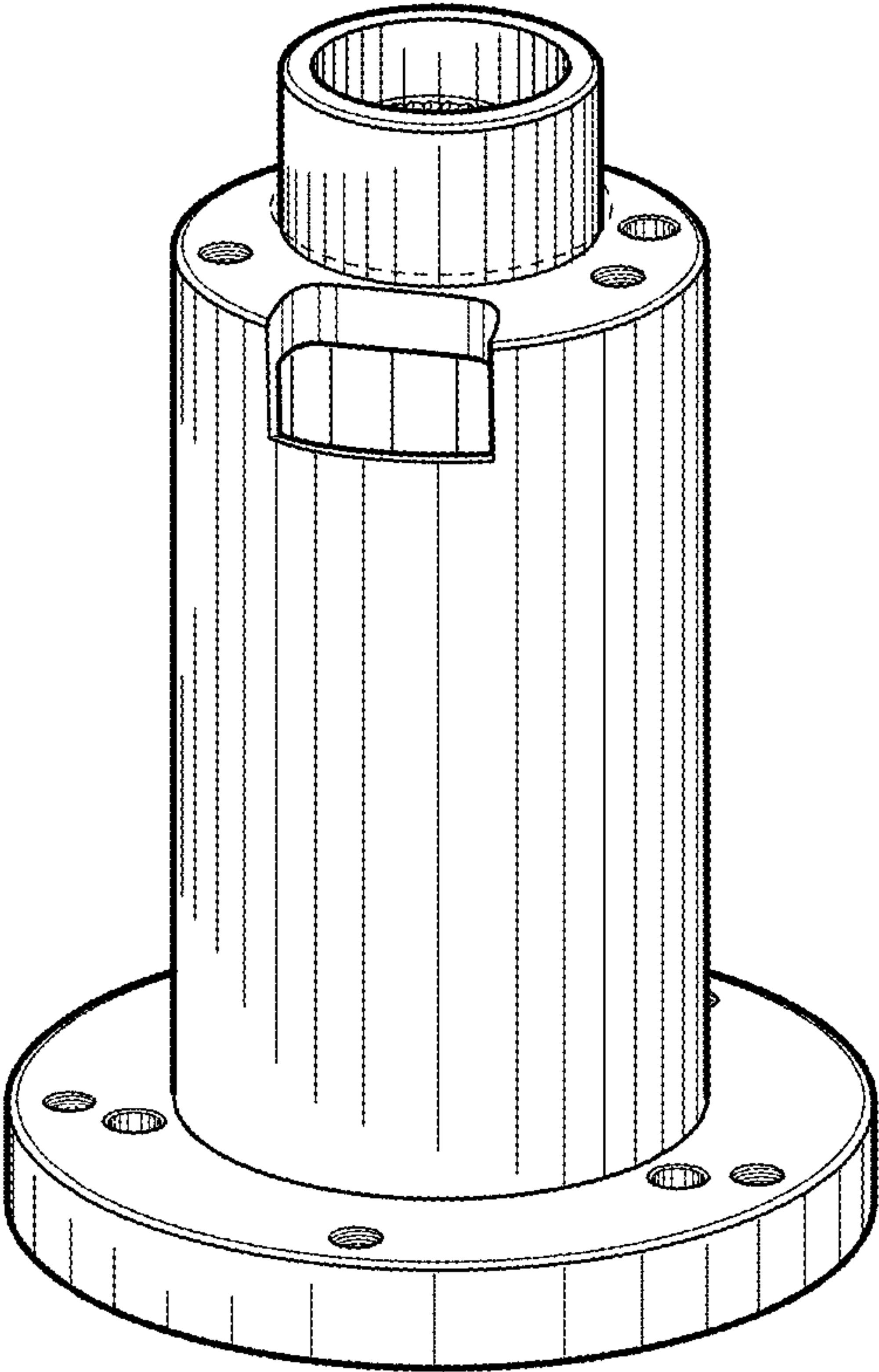
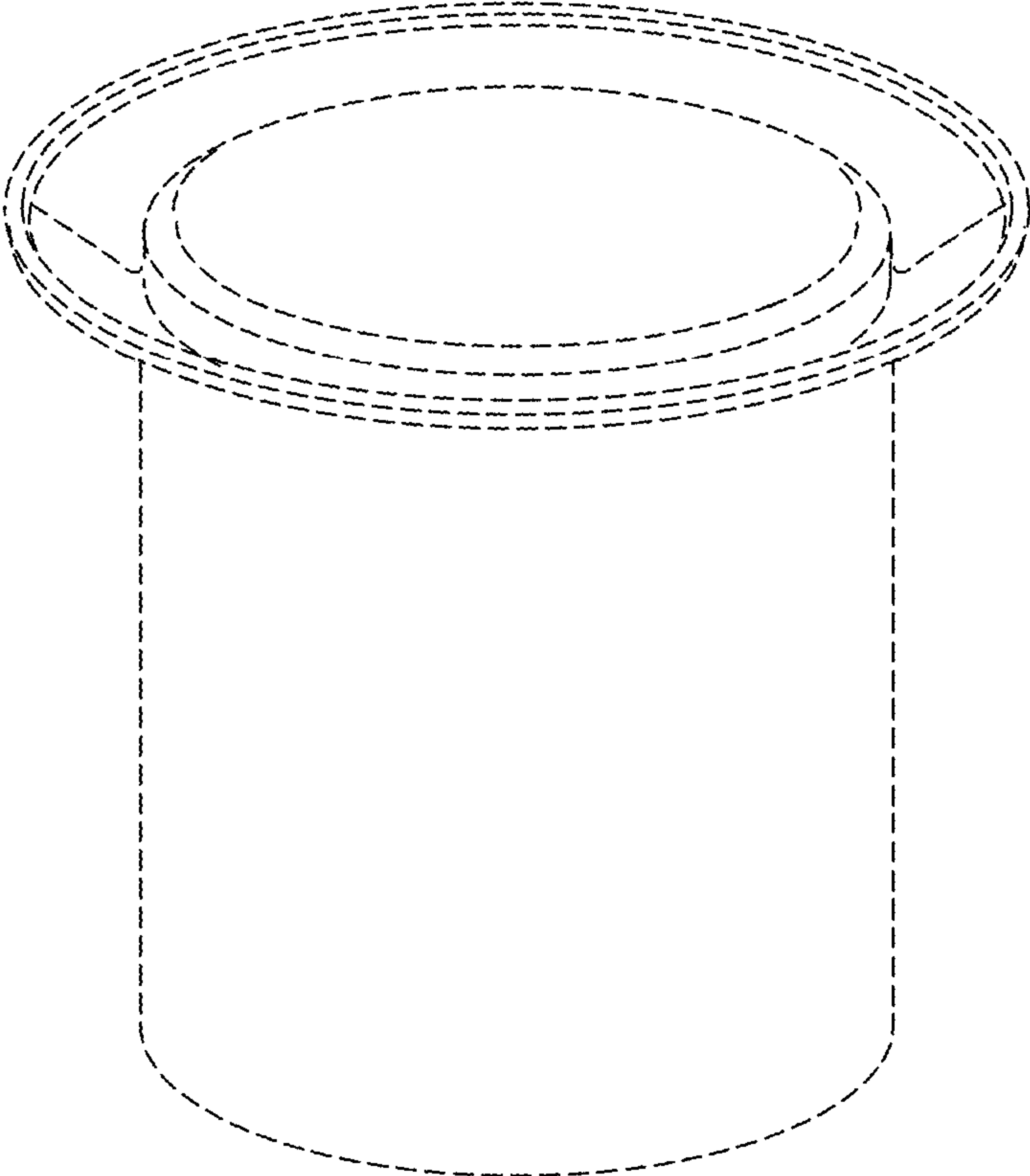


Fig. 2

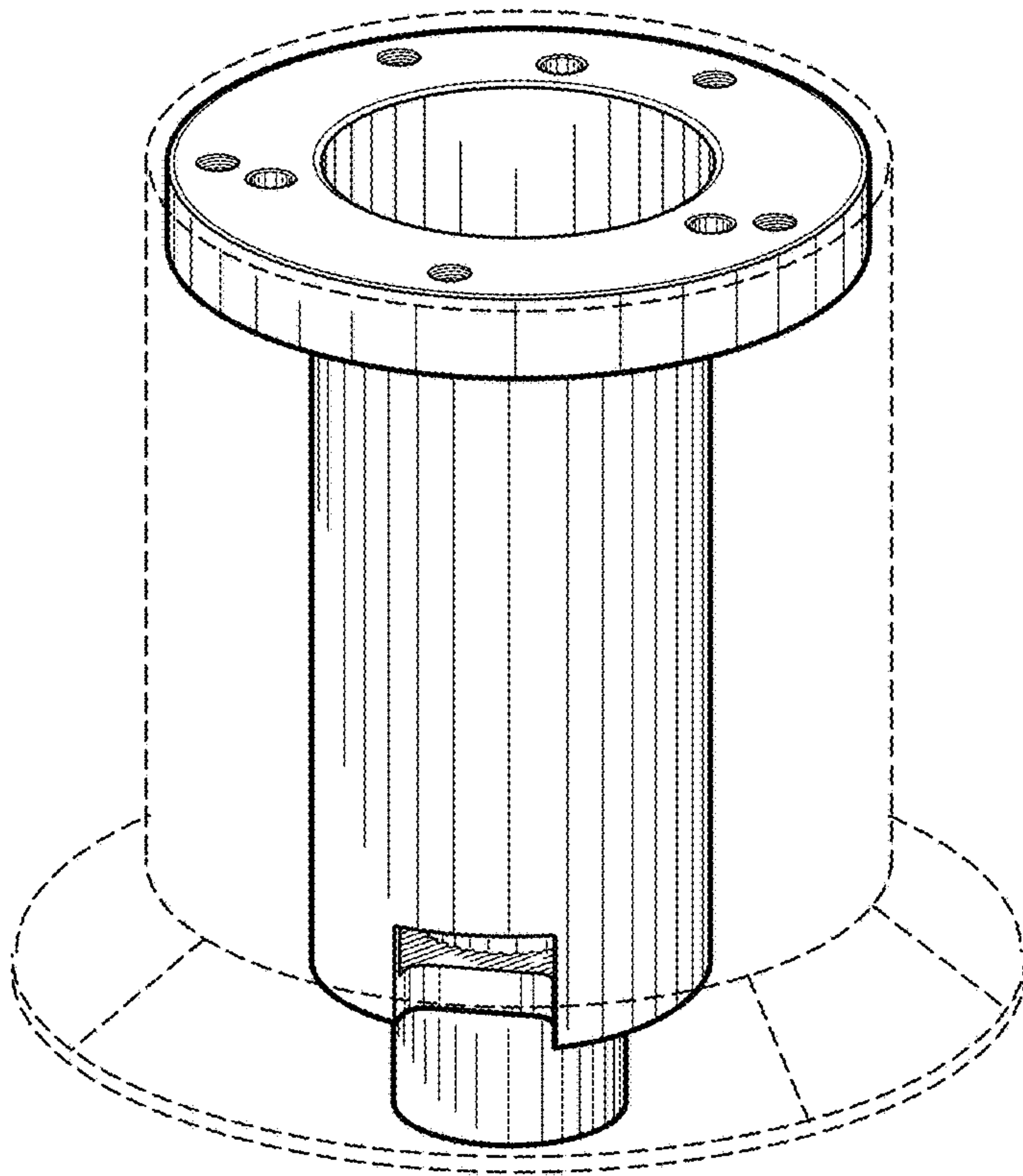


Fig. 3

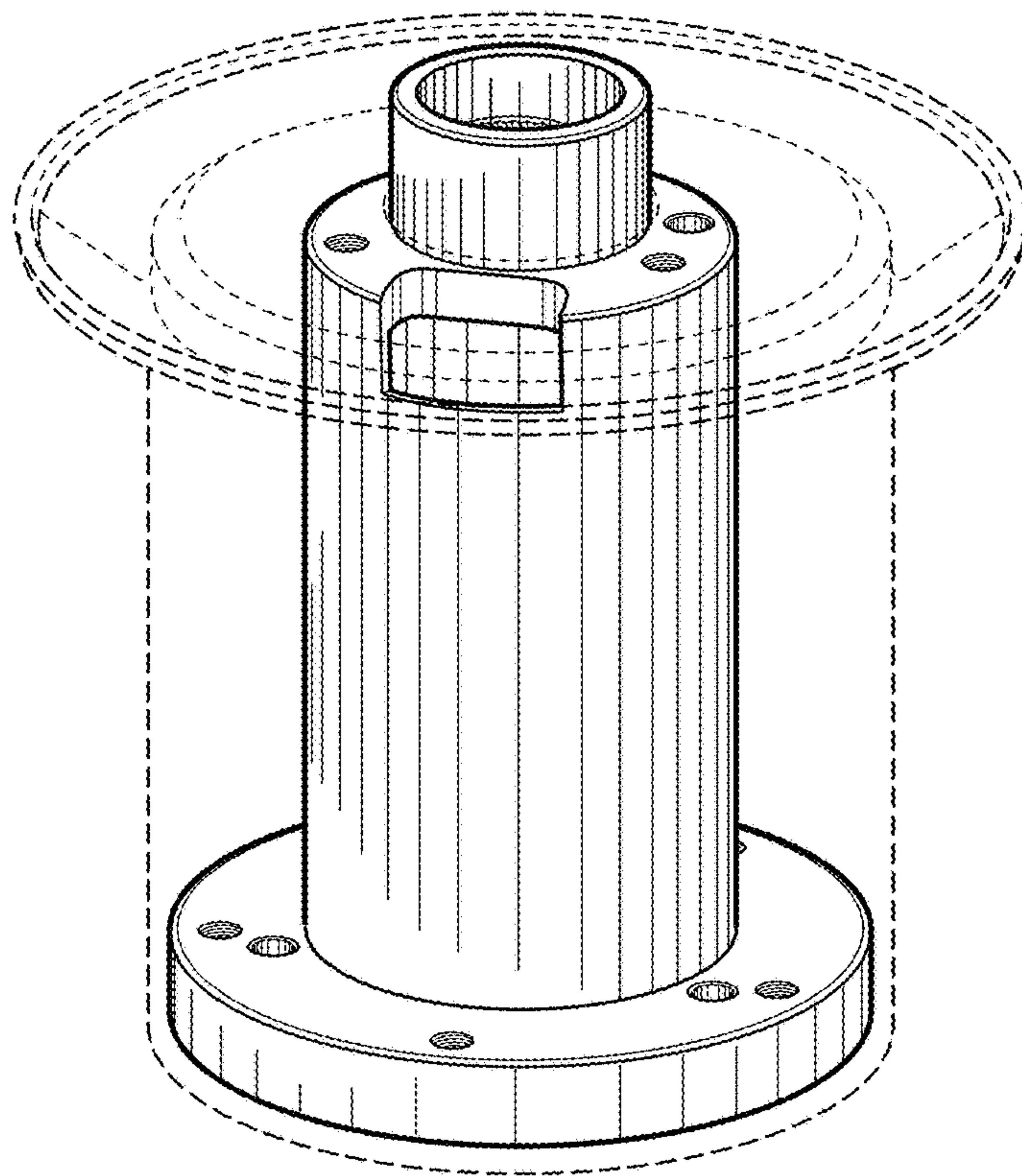


Fig. 4

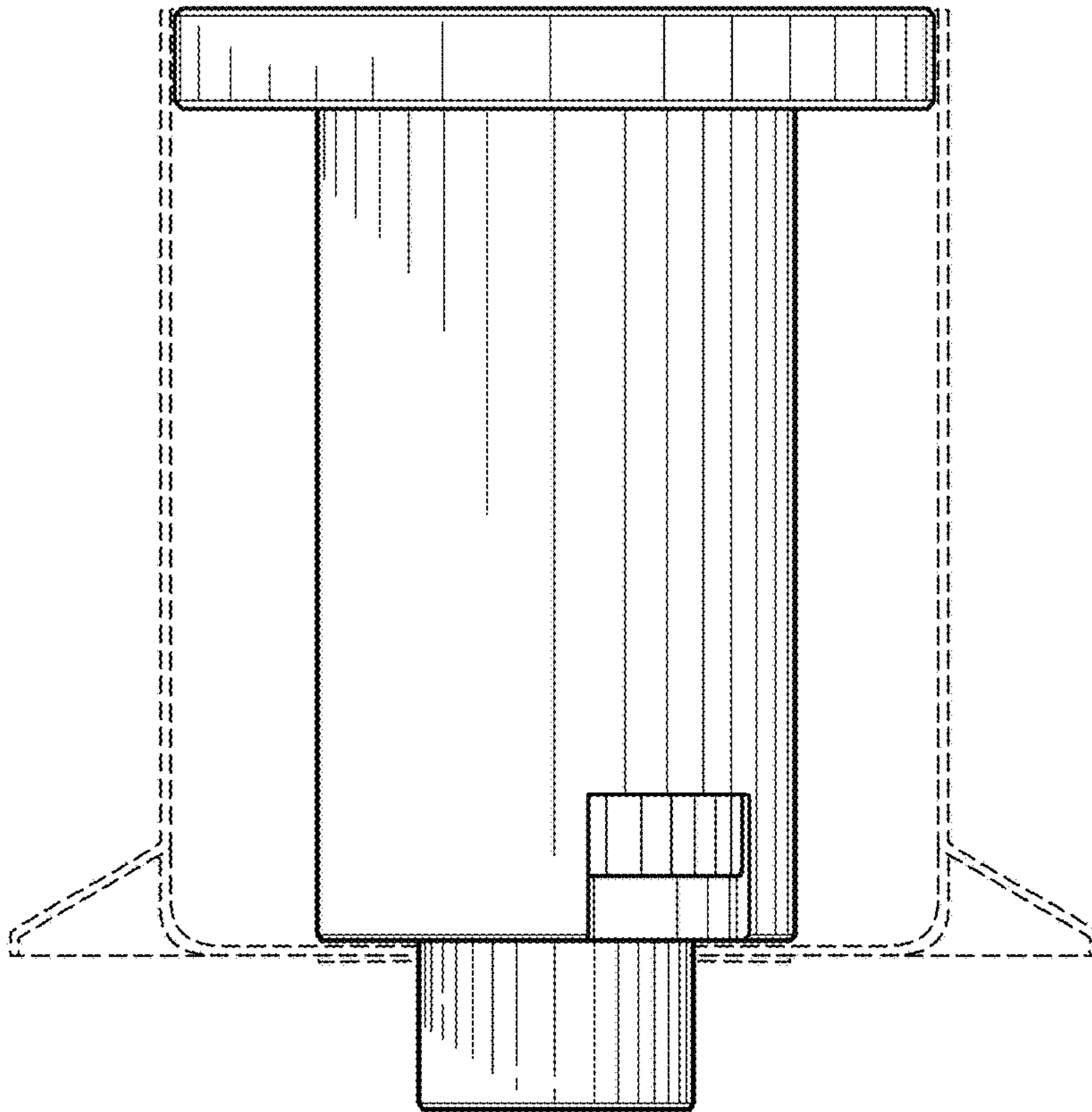


Fig. 5

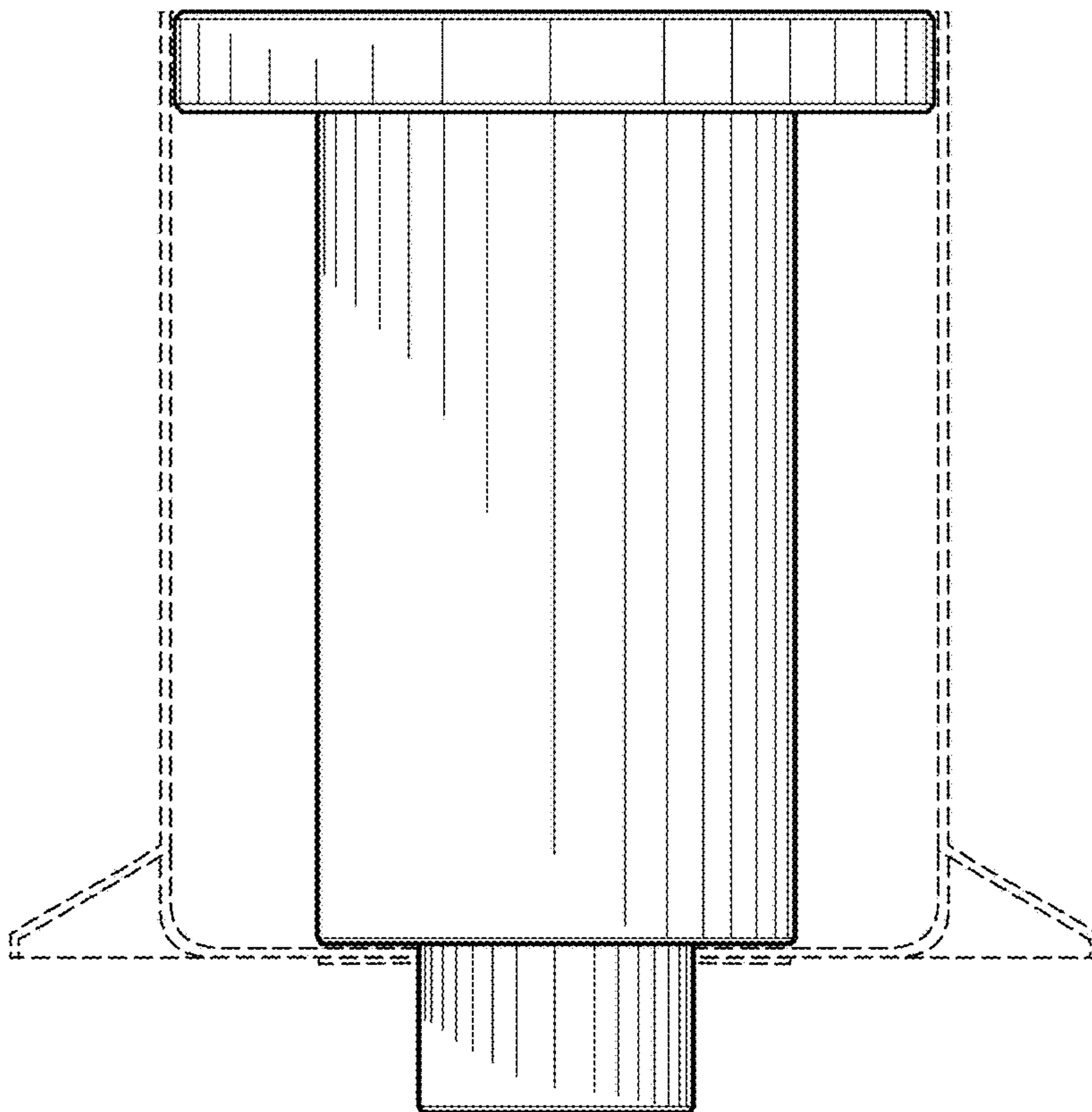


Fig. 6

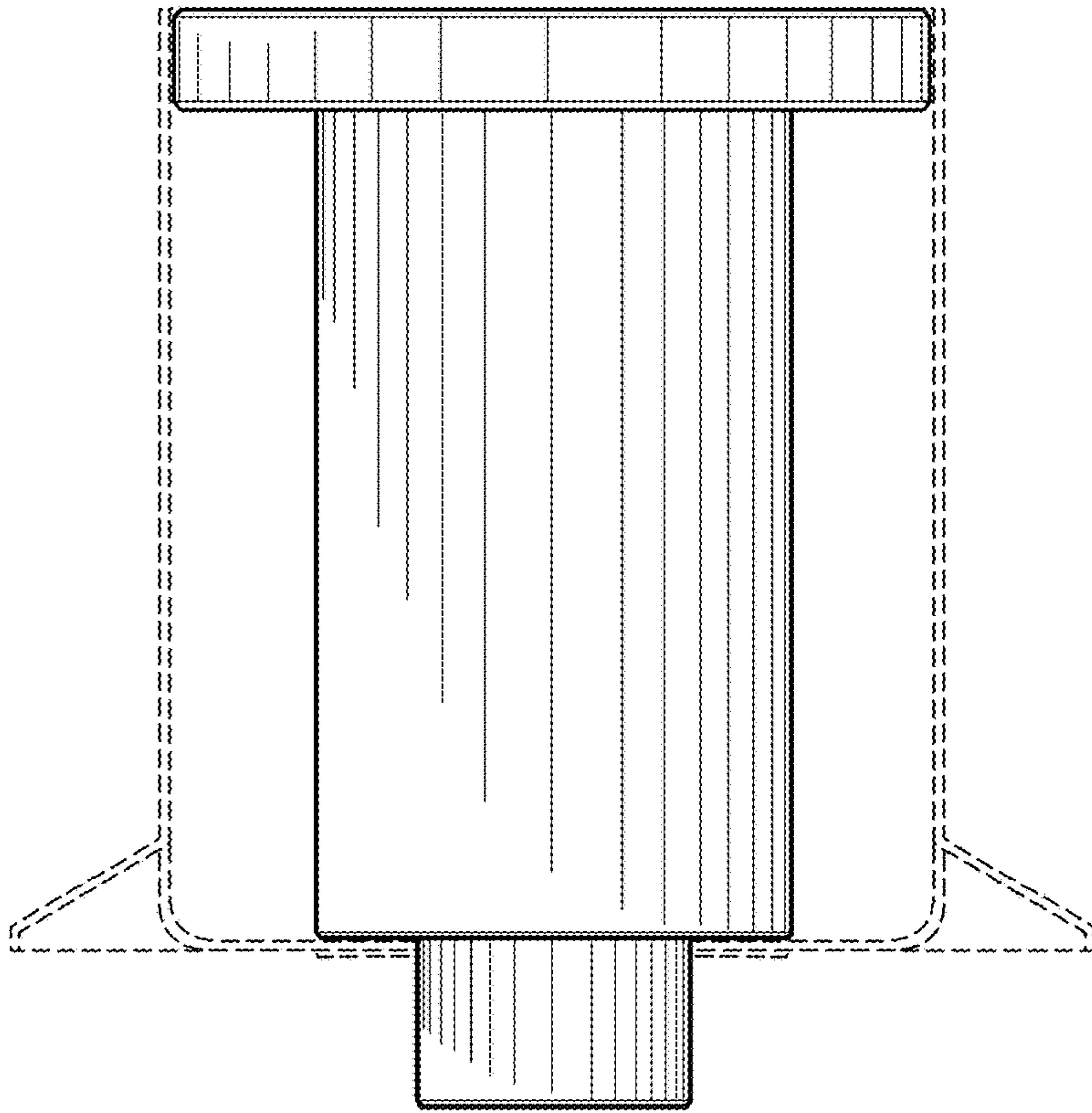


Fig. 7

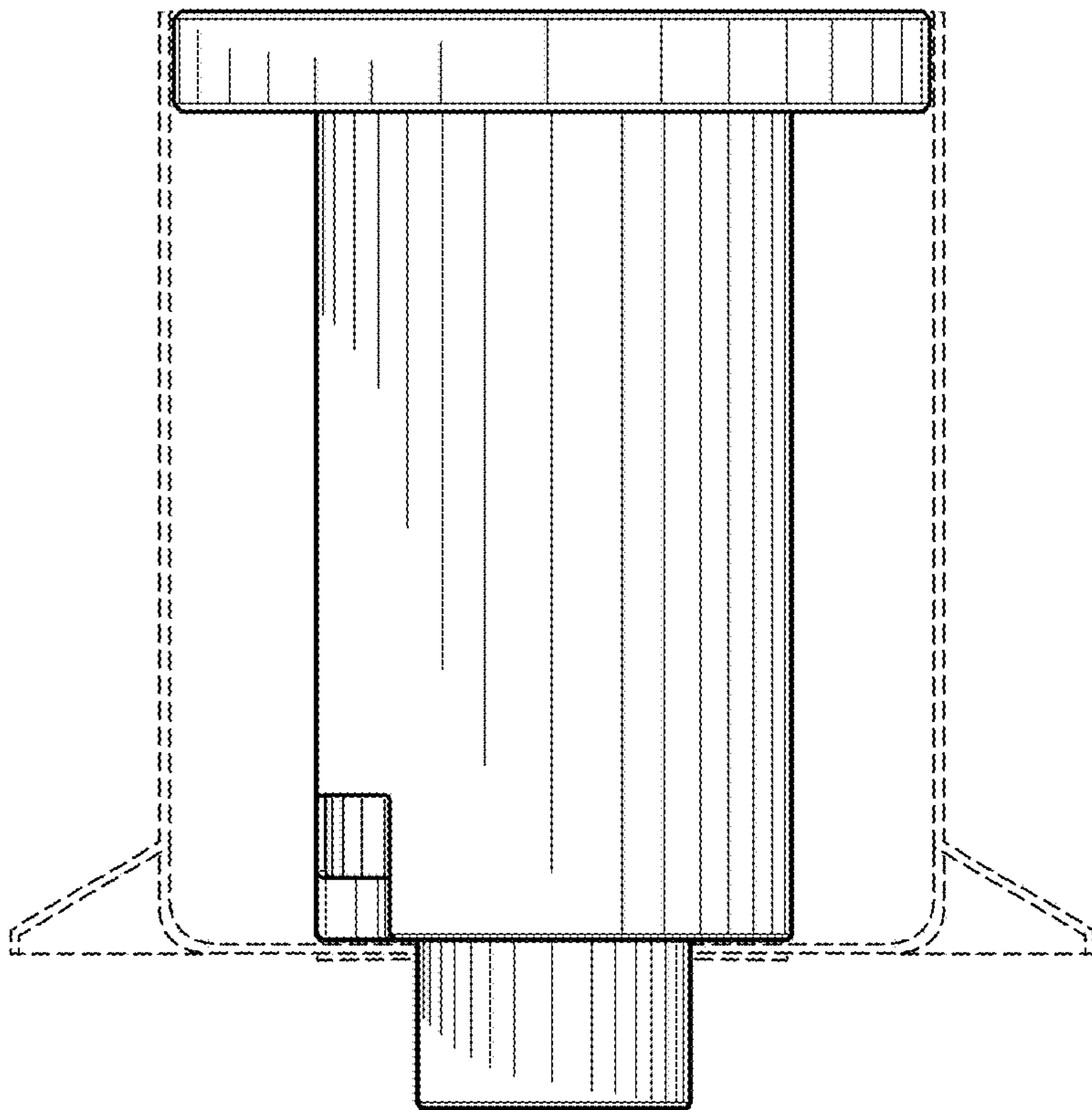


Fig. 8

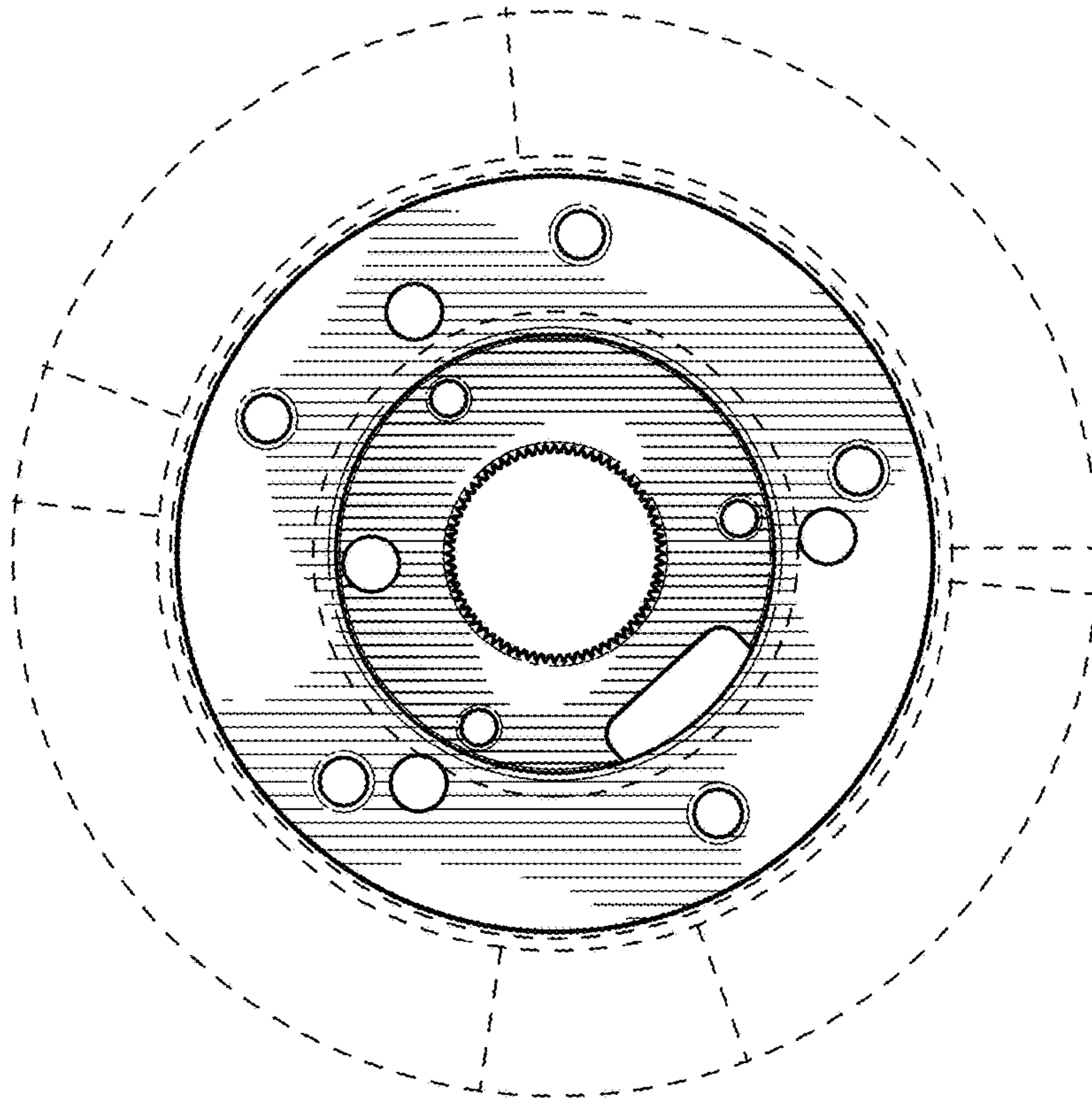


Fig. 9

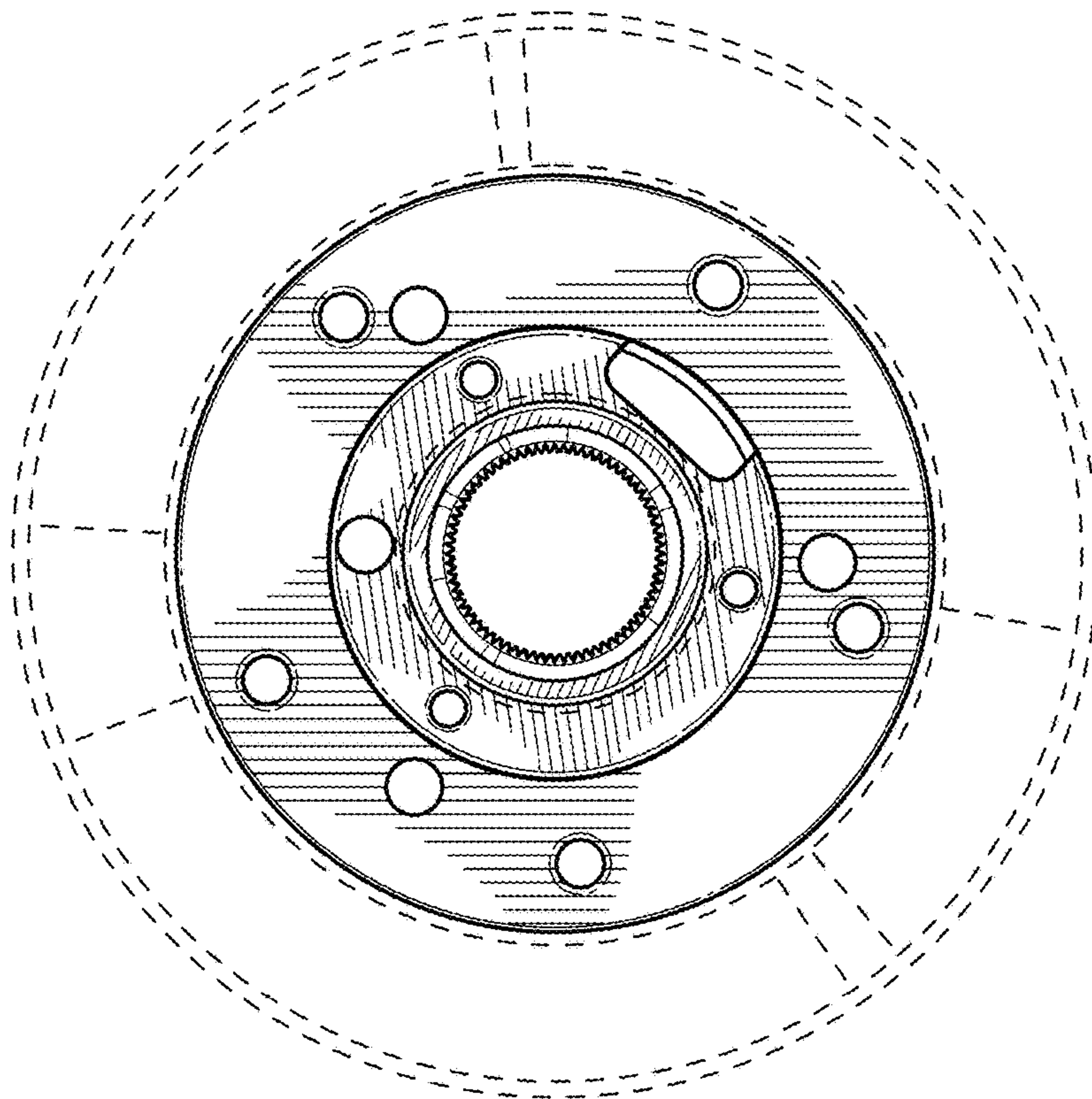


Fig. 10