



US00D844521S

(12) **United States Design Patent** (10) **Patent No.:** **US D844,521 S**
Von Holzhausen et al. (45) **Date of Patent:** **** Apr. 2, 2019**

(54) **REAR PANEL FOR A TRUCK CAB**
(71) Applicant: **Tesla, Inc.**, Palo Alto, CA (US)
(72) Inventors: **Franz Von Holzhausen**, Malibu, CA (US); **David Tadashi Imai**, Los Angeles, CA (US); **Randy Rodriguez**, Torrance, CA (US)
(73) Assignee: **Tesla, Inc.**, Palo Alto, CA (US)
(**) Term: **15 Years**

D703,595 S * 4/2014 Campbell D12/181
D748,026 S * 1/2016 Curic D12/190
D775,018 S * 12/2016 Frykholm D12/169
D787,398 S * 5/2017 Song D12/169
D788,852 S * 6/2017 Harrell D12/400
9,802,554 B1 * 10/2017 Schulze zur Wiesche B60R 13/04
9,809,177 B1 * 11/2017 Wicks B60R 13/04
D805,974 S * 12/2017 Buck D12/181
D807,247 S * 1/2018 Malina D12/167
D811,287 S * 2/2018 Bucher D12/169
D812,530 S * 3/2018 Bucher D12/169
D813,133 S * 3/2018 Henstridge D12/196
D813,135 S * 3/2018 Baeza D12/203

(Continued)

(21) Appl. No.: **29/619,033**
(22) Filed: **Sep. 26, 2017**
(51) **LOC (11) Cl.** **12-16**
(52) **U.S. Cl.**
USPC **D12/196**
(58) **Field of Classification Search**
USPC D12/86, 163, 169, 173, 193, 196, 203
CPC B60R 13/02; B60R 13/04; B60R 7/04;
B60R 21/16; B62D 35/02; B32B 27/40
See application file for complete search history.

Primary Examiner — Susan Bennett Hattan
Assistant Examiner — Suzanne E Tisdell
(74) *Attorney, Agent, or Firm* — Haynes and Boone, LLP

(57) **CLAIM**

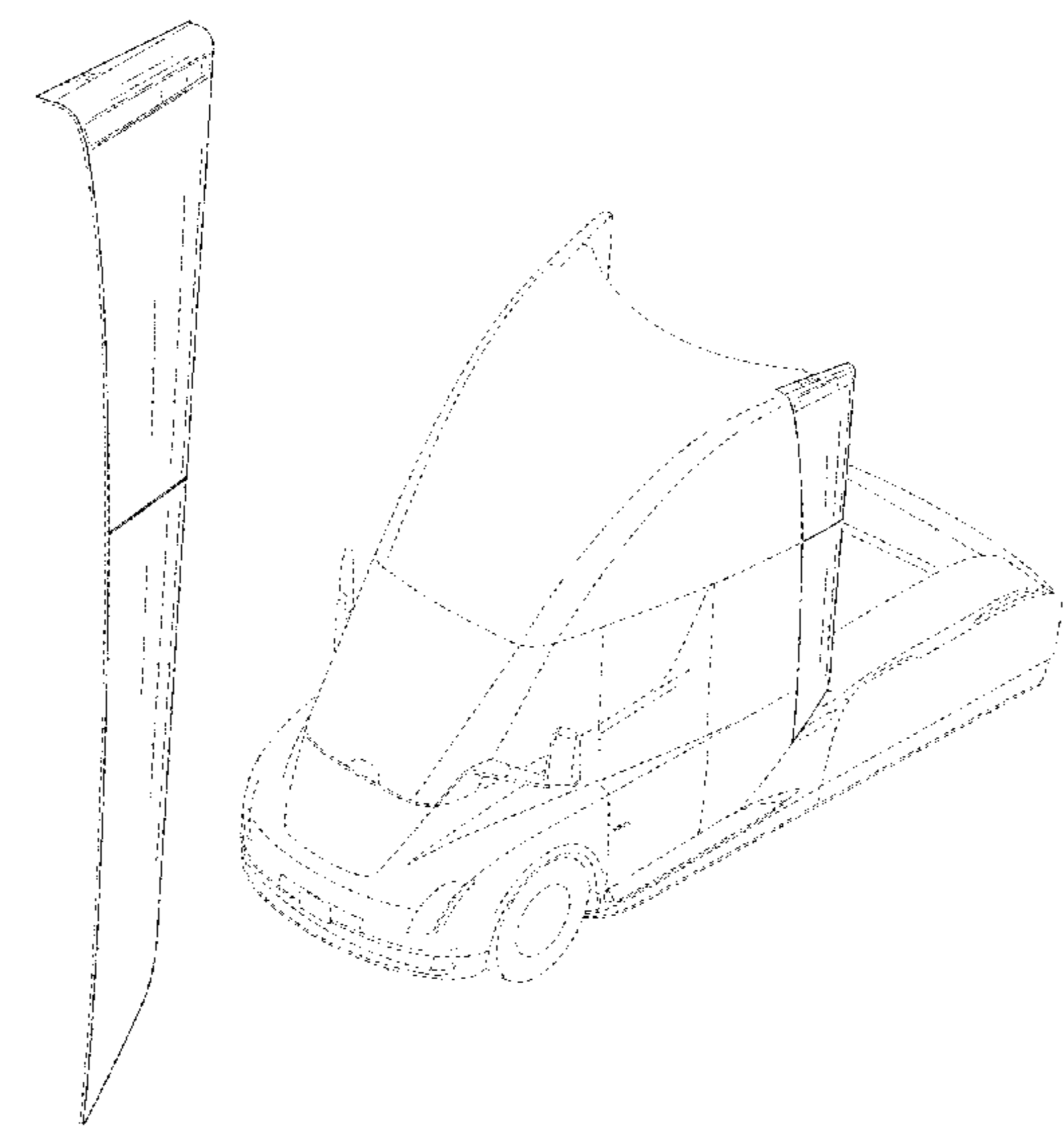
The ornamental design for a rear panel for a truck cab, as shown and described.

DESCRIPTION

FIG. 1 is a perspective view of a rear panel for a truck cab. FIG. 2 is a front elevational view of the rear panel of FIG. 1. FIG. 3 is a back elevational view of the rear panel of FIG. 1. FIG. 4 is a side elevational view of the rear panel of FIG. 1. FIG. 5 is a side elevational view of the rear panel of FIG. 1 from the opposite side from FIG. 4. FIG. 6 is a top plan view of the rear panel of FIG. 1. FIG. 7 is a bottom plan view of the rear panel of FIG. 1; and, FIG. 8 is a perspective view of the rear panel of FIG. 1 sitting within a semi-truck cab. The items shown with broken lines form no part of the claimed design.

1 Claim, 6 Drawing Sheets

(56) **References Cited**
U.S. PATENT DOCUMENTS
1,485,283 A * 2/1924 Maxwell B60S 1/62
280/159
3,447,727 A * 6/1969 Lowe B60R 9/02
224/547
D344,959 S * 3/1994 Patterson D15/17
D398,895 S * 9/1998 Thomas, Jr. D12/209
D472,505 S * 4/2003 Hurayt D12/190
D613,220 S * 4/2010 Ikeda D12/190
7,690,676 B2 * 4/2010 Jaramillo B60R 13/025
280/728.2
8,083,285 B2 * 12/2011 Yanagida B62D 29/048
296/1.08
D666,132 S * 8/2012 Armbruster D12/196
D669,831 S * 10/2012 Saracoglu D12/196



(56)

References Cited

U.S. PATENT DOCUMENTS

D817,242 S *	5/2018	Anderson	D12/196
D817,243 S *	5/2018	Anderson	D12/196
D820,173 S *	6/2018	McMahan	D12/169
D820,750 S *	6/2018	Hallgren	D12/184
D822,565 S *	7/2018	Hallgren	D12/184
D826,801 S *	8/2018	Platto	D12/169
D826,803 S *	8/2018	Smith	D12/169

* cited by examiner

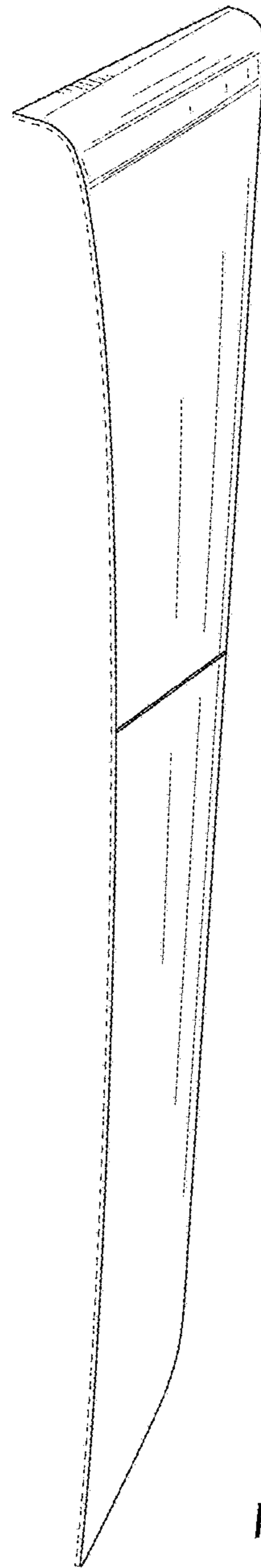


FIG. 1

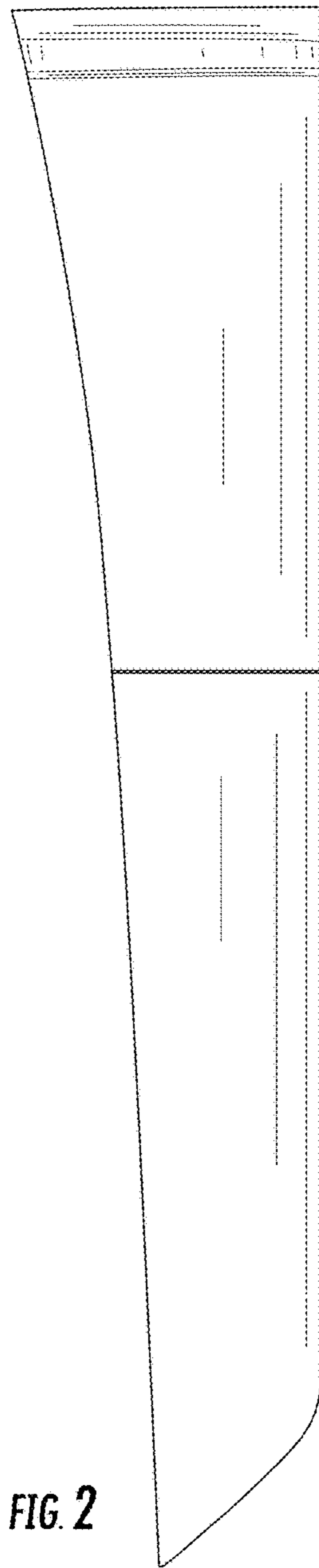


FIG. 2

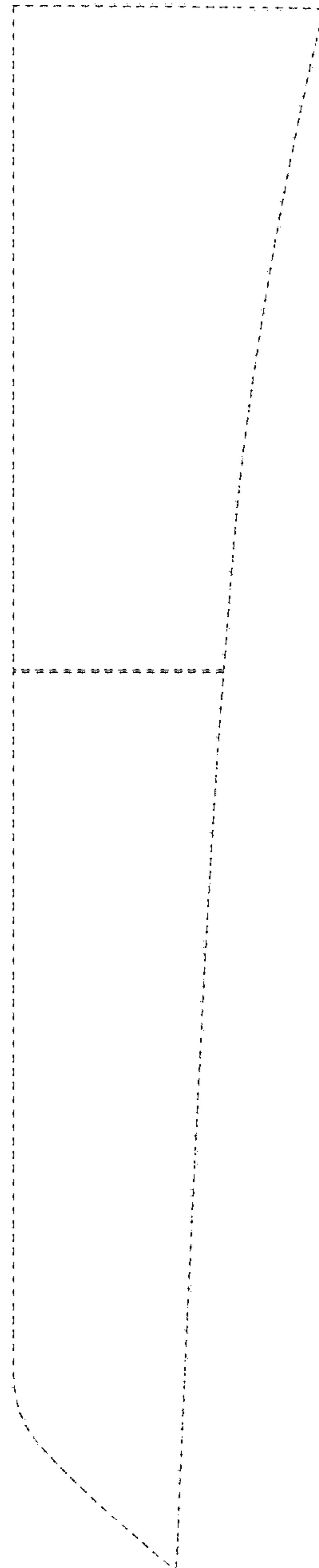


FIG. 3



FIG. 4

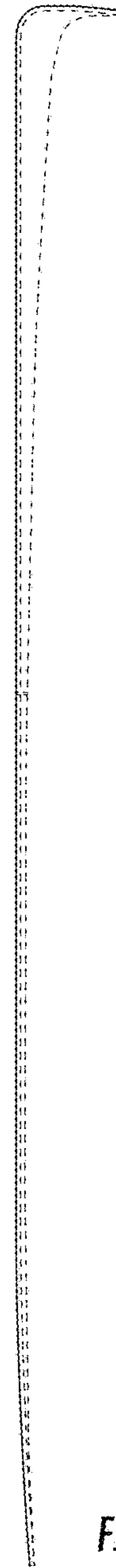


FIG. 5

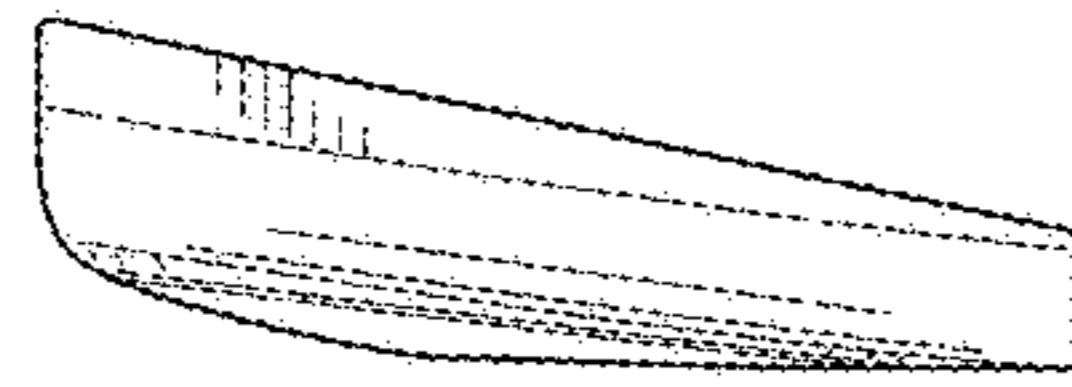


FIG. 6

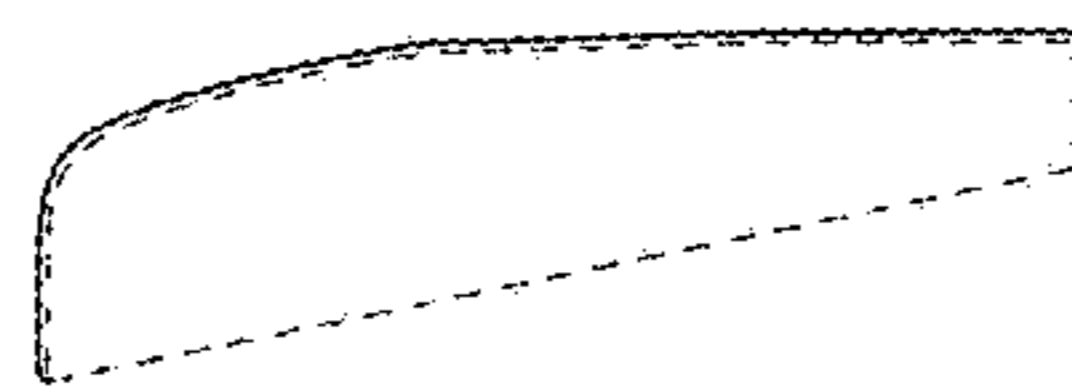


FIG. 7

