



US00D844519S

(12) **United States Design Patent**
Razaghi

(10) **Patent No.:** **US D844,519 S**

(45) **Date of Patent:** **** Apr. 2, 2019**

- (54) **TRUNK LID FOR A VEHICLE**
- (71) Applicant: **Ningbo Geely Automobile Research & Development Co., Ltd, Ningbo (CN)**
- (72) Inventor: **Hirash Razaghi, Landvetter (SE)**
- (73) Assignee: **Ningbo Geely Automobile Research & Development Co., Ltd., Ningbo (CN)**
- (**) Term: **15 Years**
- (21) Appl. No.: **29/618,421**
- (22) Filed: **Sep. 21, 2017**
- (30) **Foreign Application Priority Data**
 - Mar. 22, 2017 (EM) 003816255
- (51) **LOC (11) Cl.** **12-16**
- (52) **U.S. Cl.**
USPC **D12/196**
- (58) **Field of Classification Search**
 - USPC D12/86, 90, 91, 92, 163, 169, 171, 183, D12/196, 216
 - CPC . B60J 11/00; B60J 11/06; B60R 13/00; B60R 13/10; B62D 25/10; B62D 35/00; B62D 35/007; E05D 5/062

See application file for complete search history.

- 8,083,260 B2 * 12/2011 Haynes B60J 11/06 280/770
- D663,666 S * 7/2012 Matsumoto D12/196
- 8,251,431 B2 * 8/2012 Nakazato E05D 5/062 296/146.11
- D676,793 S * 2/2013 Yamada D12/196
- D682,757 S * 5/2013 Song D12/196
- D695,177 S * 12/2013 Matsueda D12/196
- 9,011,056 B2 * 4/2015 Malmstrom B60P 7/0892 410/121
- D731,942 S * 6/2015 Hammoud D12/196
- D743,864 S * 11/2015 Loeb D12/196
- D780,076 S * 2/2017 Peat D12/164
- D784,885 S * 4/2017 Curic D12/196
- D785,532 S * 5/2017 Park D12/196
- D791,030 S * 7/2017 Faghihzadeh D12/196
- D797,631 S * 9/2017 Pevovar D12/196
- D800,021 S * 10/2017 Hagino D12/92
- D804,384 S * 12/2017 Park D12/196
- D813,773 S * 3/2018 Cho D12/196
- D818,922 S * 5/2018 Whitla D12/196
- D823,211 S * 7/2018 Lim D12/196
- D823,762 S * 7/2018 Loeb D12/196

* cited by examiner

Primary Examiner — Susan Bennett Hattan
Assistant Examiner — Suzanne E Tisdell
(74) *Attorney, Agent, or Firm* — Lee & Hayes, P.C.

(57) **CLAIM**

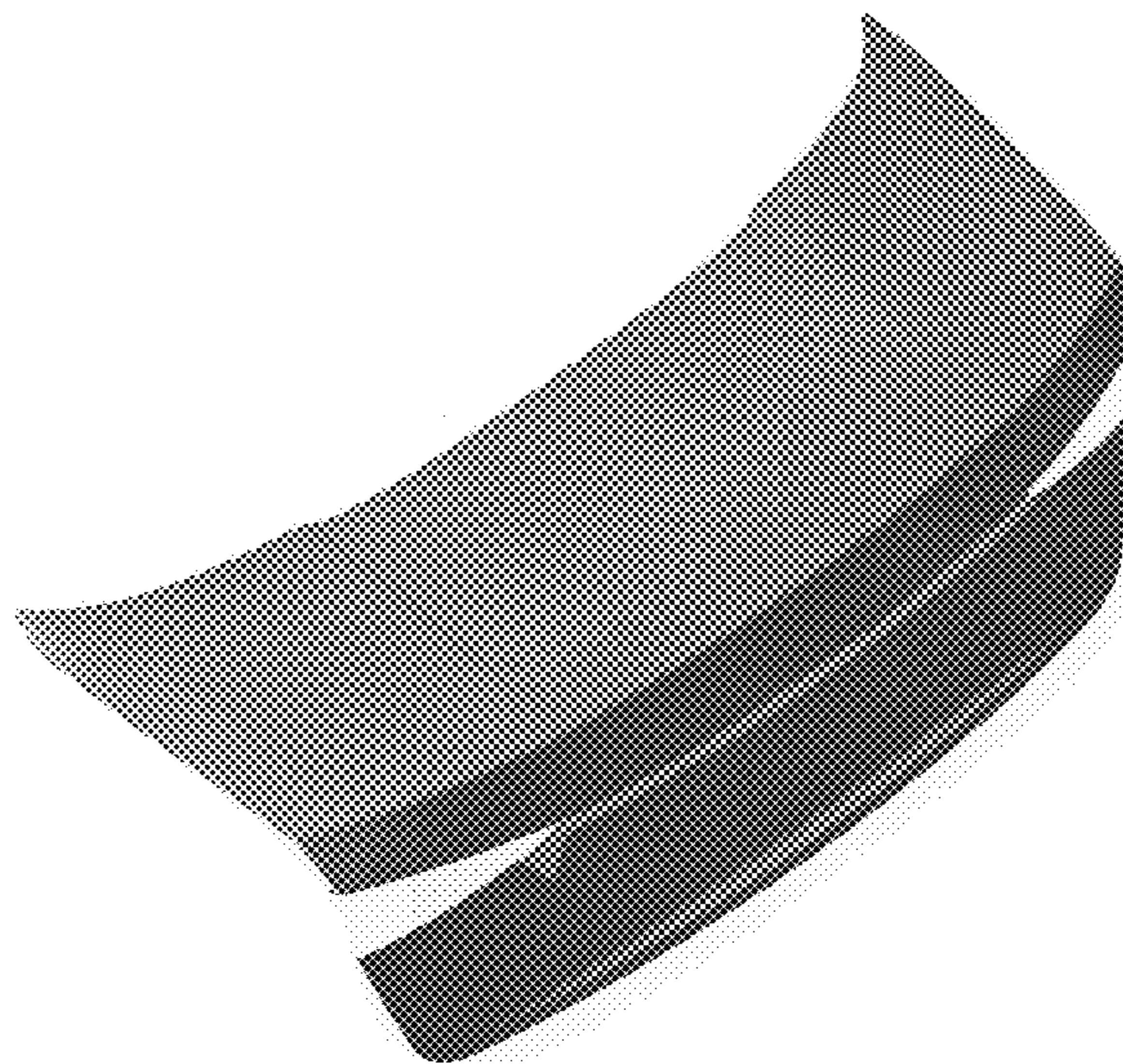
The ornamental design for a trunk lid for a vehicle, as shown and described.

DESCRIPTION

FIG. 1 is a top perspective view of a trunk lid for a vehicle; FIG. 2 is a top view thereof; FIG. 3 is a bottom view thereof; FIG. 4 is a left-side view thereof; FIG. 5 is a right-side view thereof; FIG. 6 is a front view thereof; and, FIG. 7 is a back view thereof.

1 Claim, 7 Drawing Sheets

- (56) **References Cited**
 - U.S. PATENT DOCUMENTS
 - D286,527 S * 11/1986 Envall D12/183
 - 5,172,954 A * 12/1992 Yamazaki B62D 35/007 296/180.1
 - D414,734 S * 10/1999 Bangle D12/196
 - 6,582,006 B1 * 6/2003 Burch B60R 13/10 296/100.06
 - 7,478,492 B2 * 1/2009 Madonia B60K 35/00 345/204



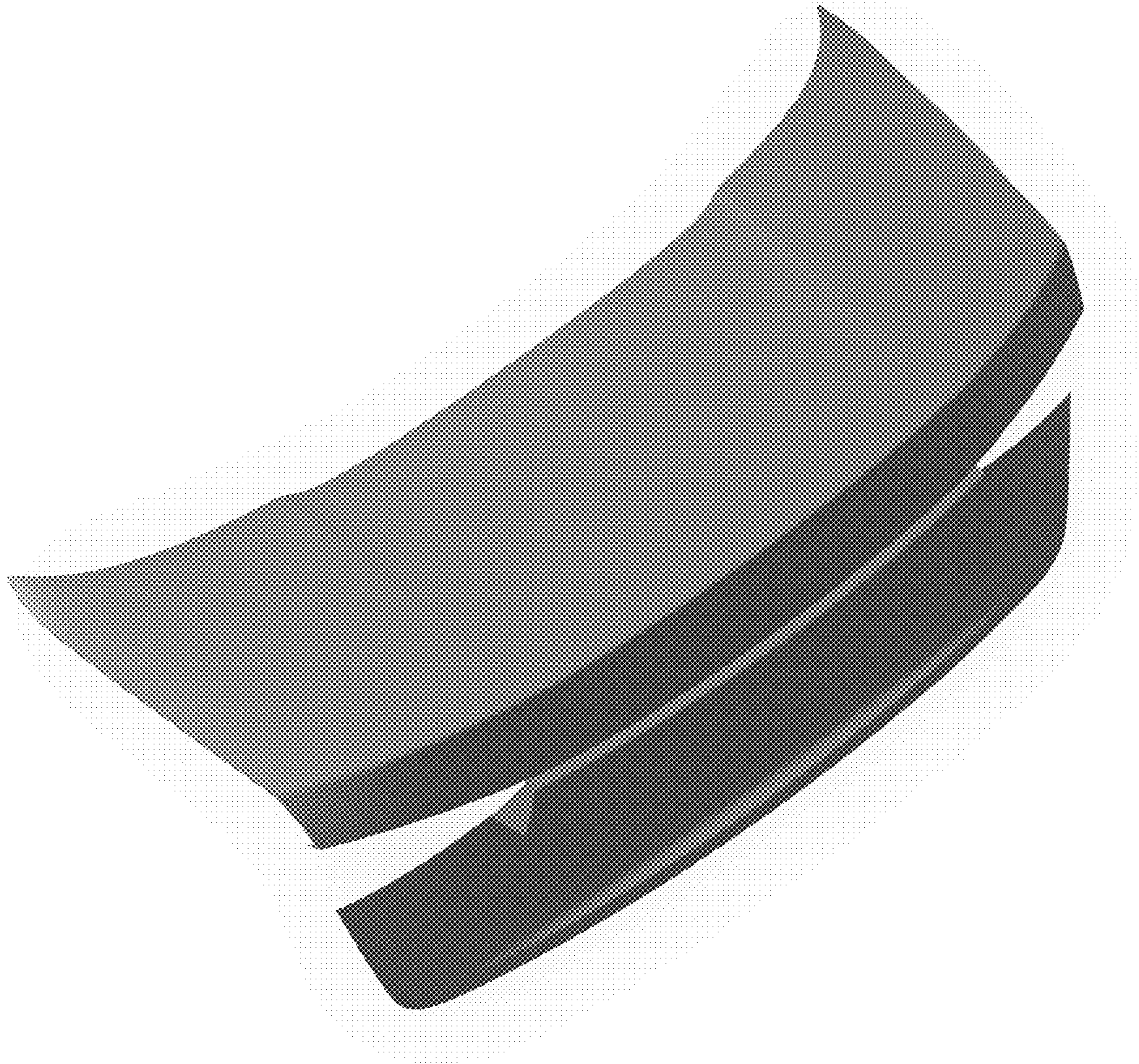


FIG. 1

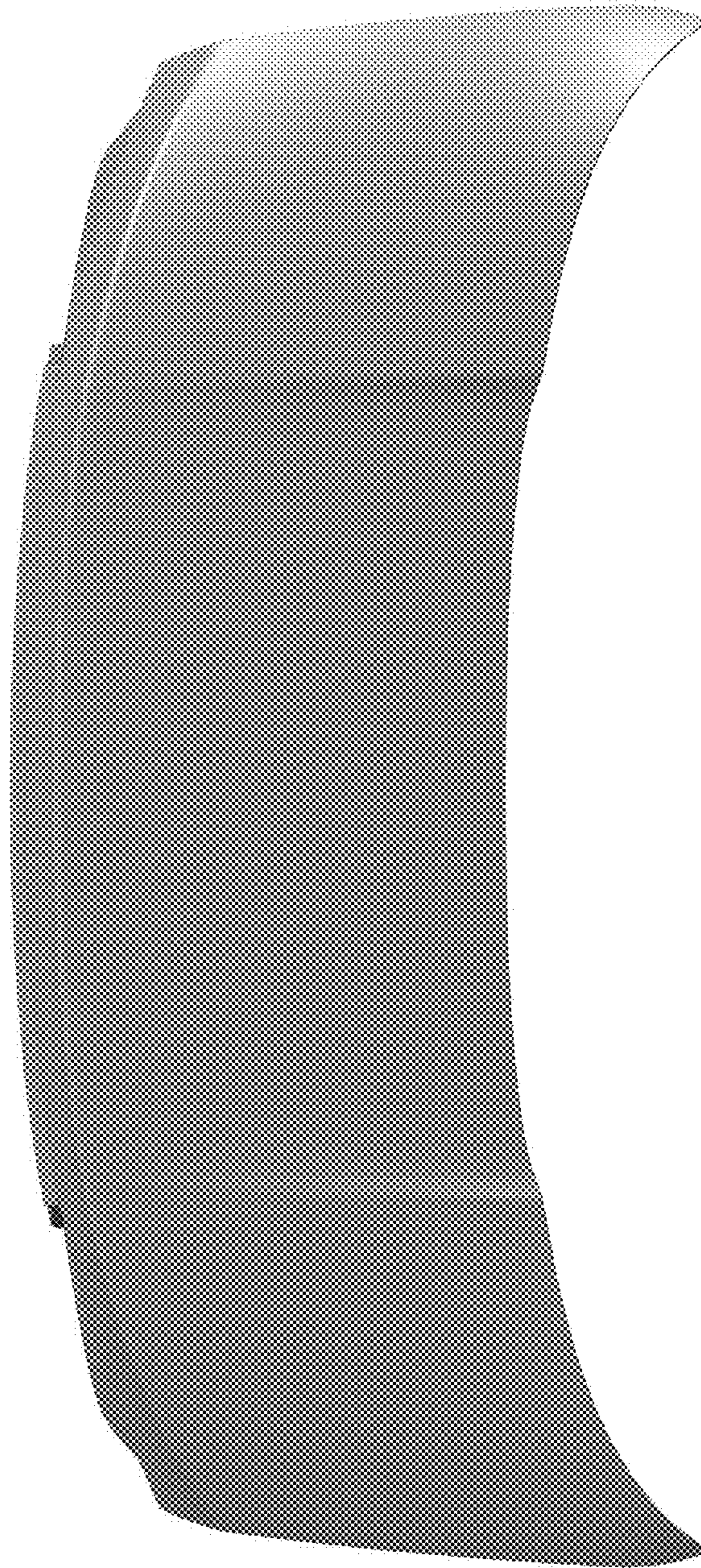


FIG. 2

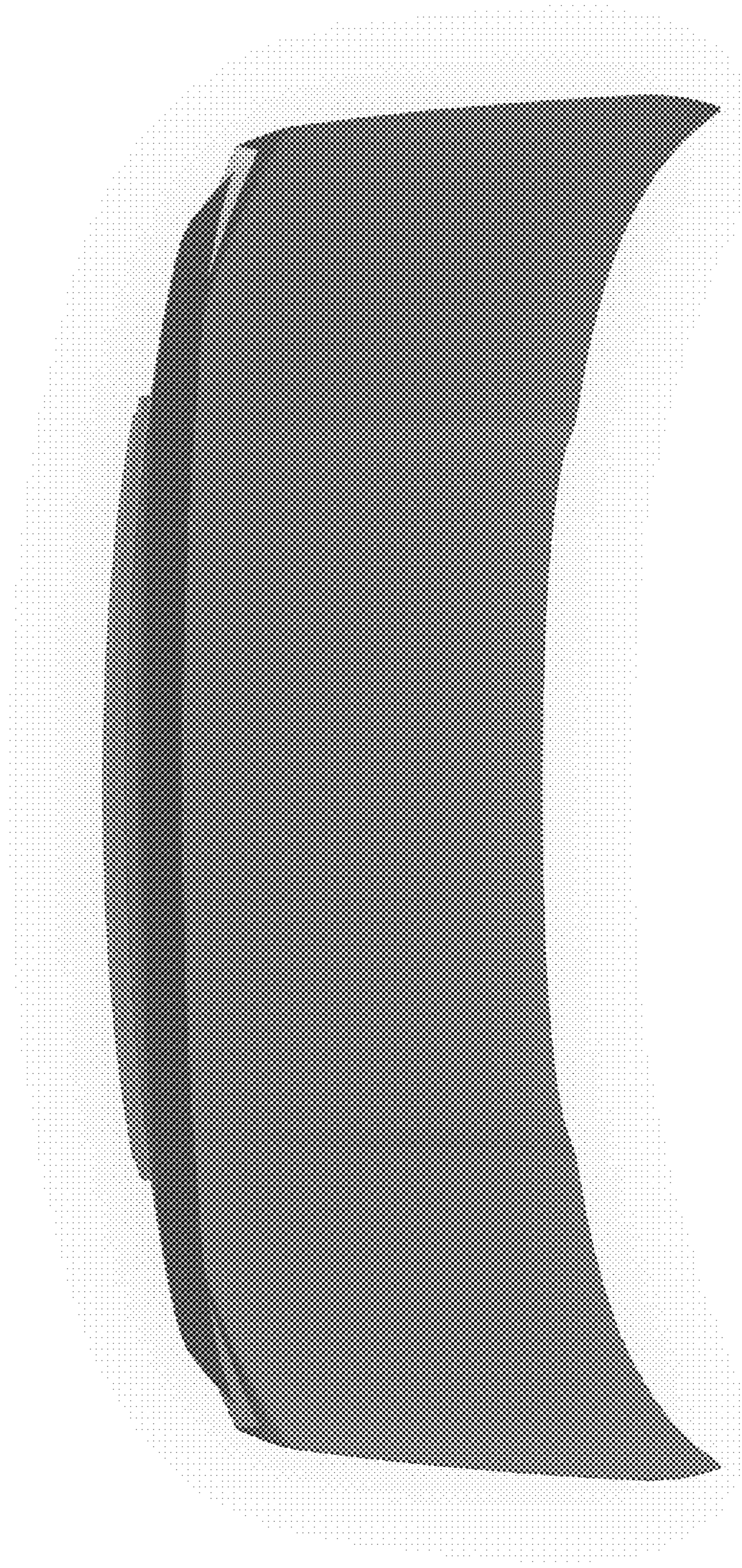


FIG. 3

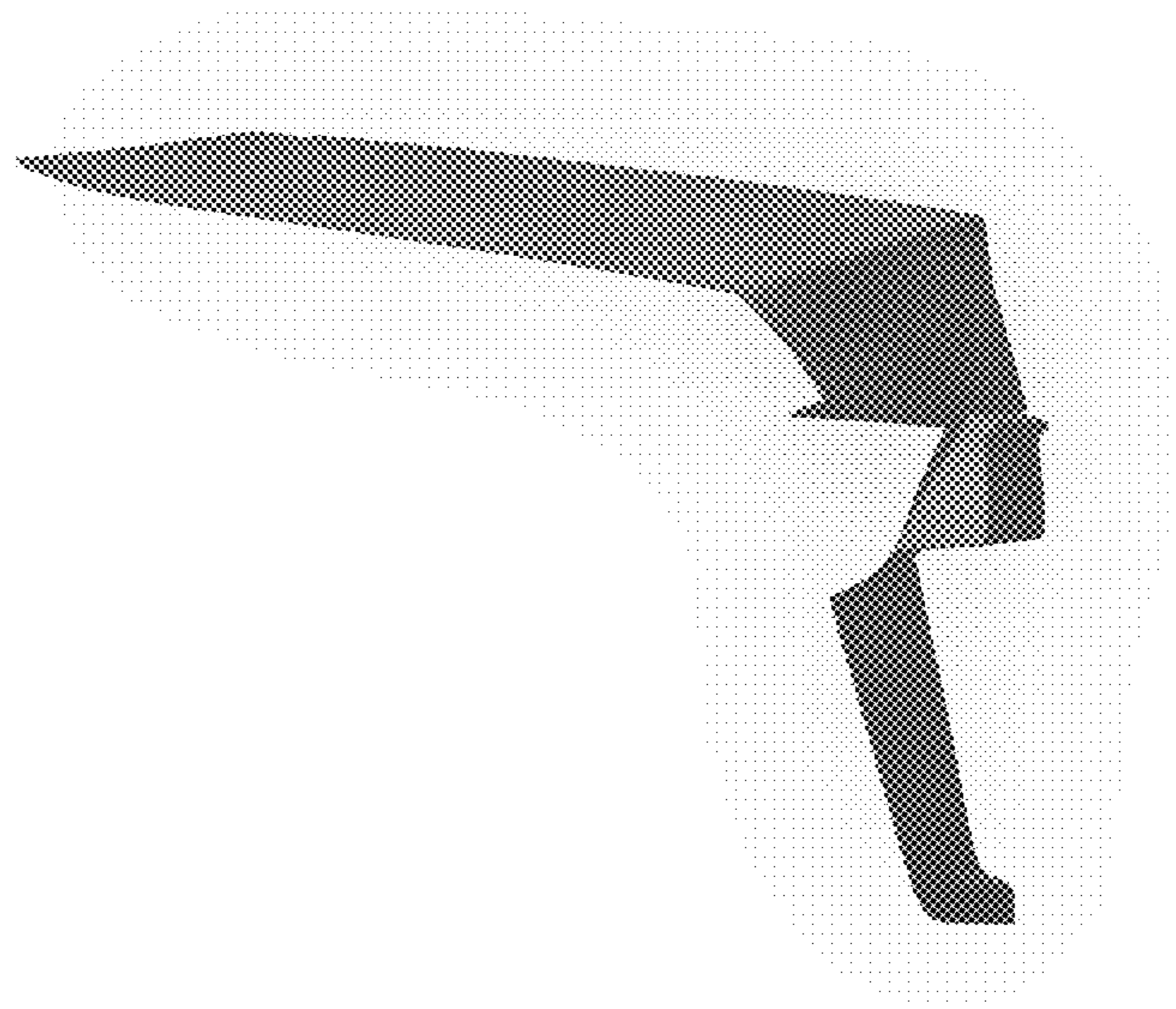


FIG. 4

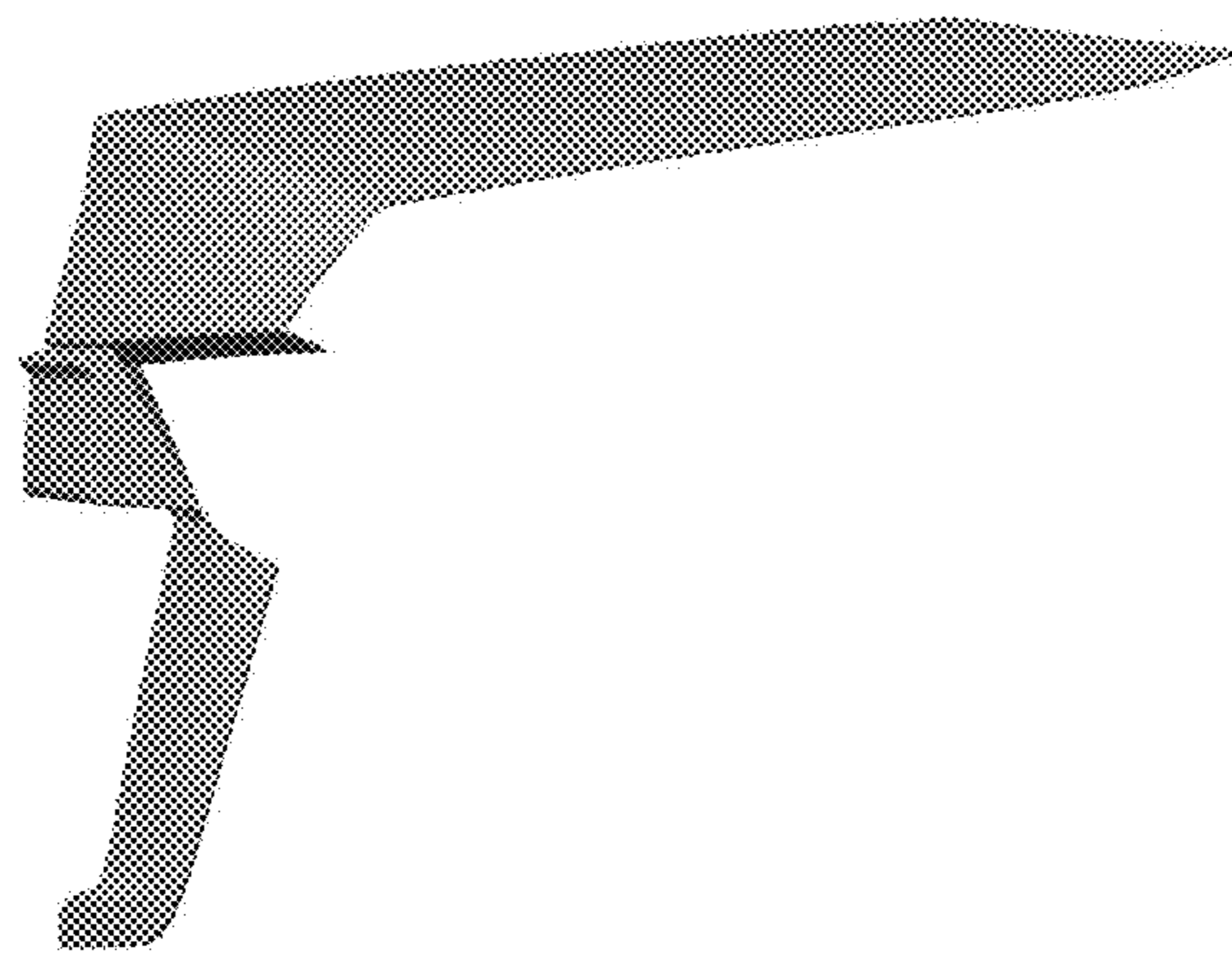


FIG. 5

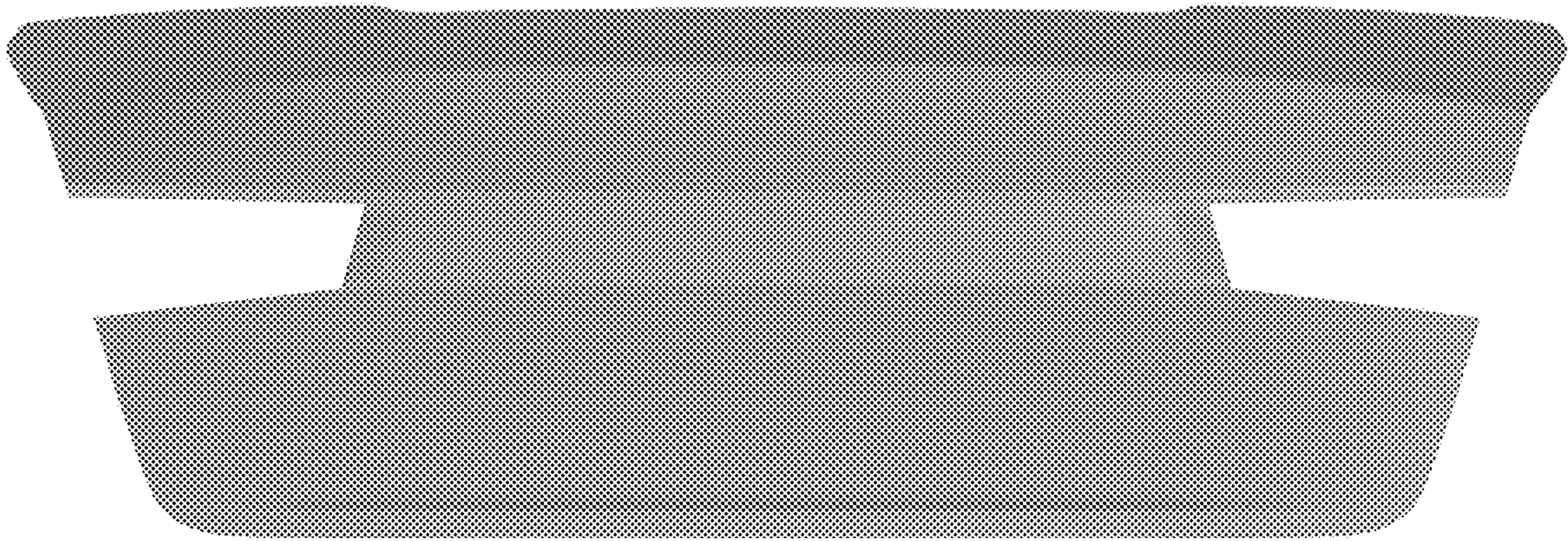


FIG. 6

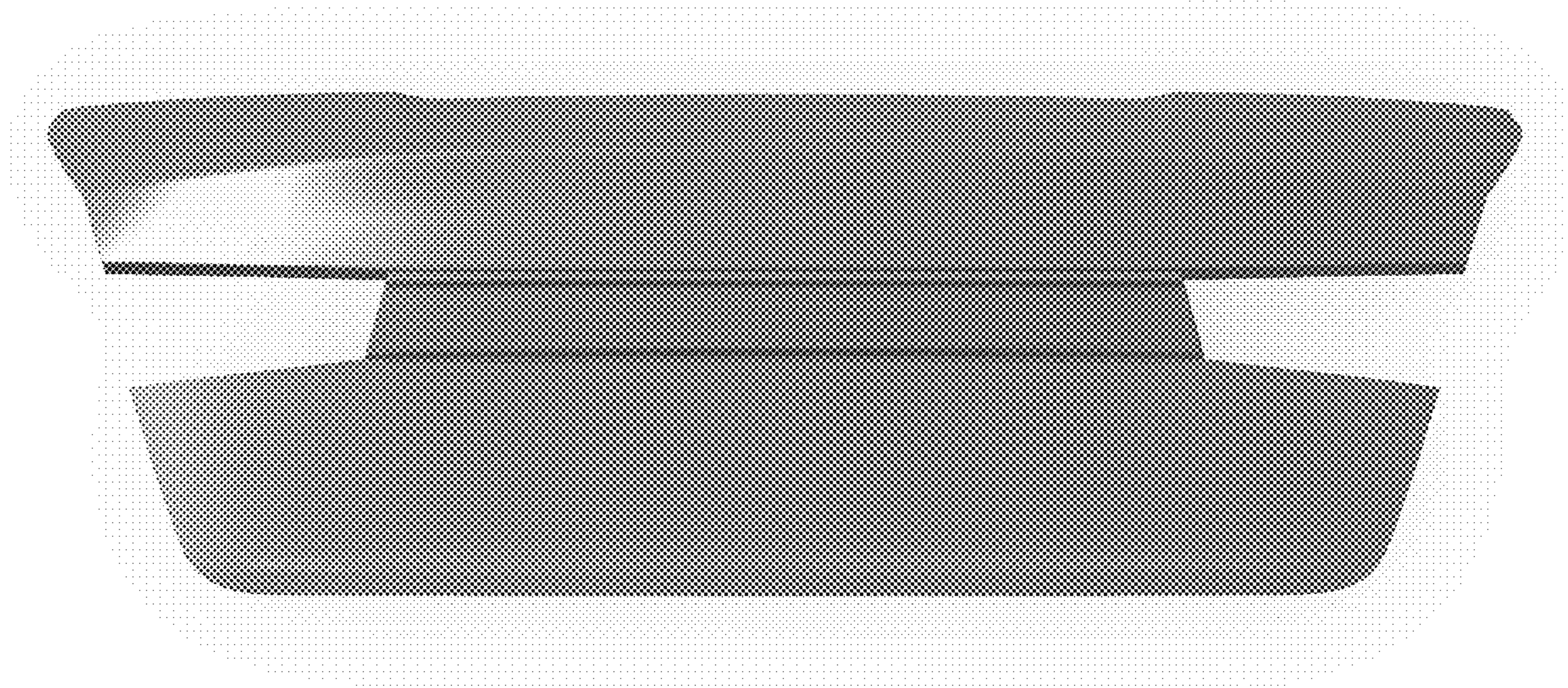


FIG. 7