



US00D844516S

(12) **United States Design Patent** (10) **Patent No.:** **US D844,516 S**  
**Yu** (45) **Date of Patent:** **\*\* Apr. 2, 2019**

(54) **INSTRUMENT PANEL**  
(71) Applicant: **HONDA MOTOR CO., LTD.**,  
Minato-ku, Tokyo (JP)  
(72) Inventor: **Simon Yu**, Los Angeles, CA (US)  
(73) Assignee: **Honda Motor Co., Ltd.**, Tokyo (JP)  
(\*\*) Term: **15 Years**  
(21) Appl. No.: **29/633,319**  
(22) Filed: **Jan. 12, 2018**  
(51) **LOC (11) Cl.** ..... **12-16**  
(52) **U.S. Cl.**  
USPC ..... **D12/192**  
(58) **Field of Classification Search**  
USPC ..... D12/192, 415, 114, 345; D10/17, 28;  
D15/46, 98, 102-103, 122-127; D23/324  
CPC ..... B60H 1/34; B60H 1/3407; B60H 1/3414;  
B60H 1/3421; B60H 1/3428; B60H  
1/3435; B60H 1/3442; B60H 1/345;  
B60H 1/3457; B60H 2001/3464; B60H  
2001/3471; B60H 2001/3478; B60H  
2001/3485  
See application file for complete search history.

(56) **References Cited**  
U.S. PATENT DOCUMENTS  
D813,127 S \* 3/2018 Yamamoto ..... D12/192  
D813,769 S \* 3/2018 Yaguchi ..... D12/192  
D817,832 S \* 5/2018 Maezono ..... D12/192

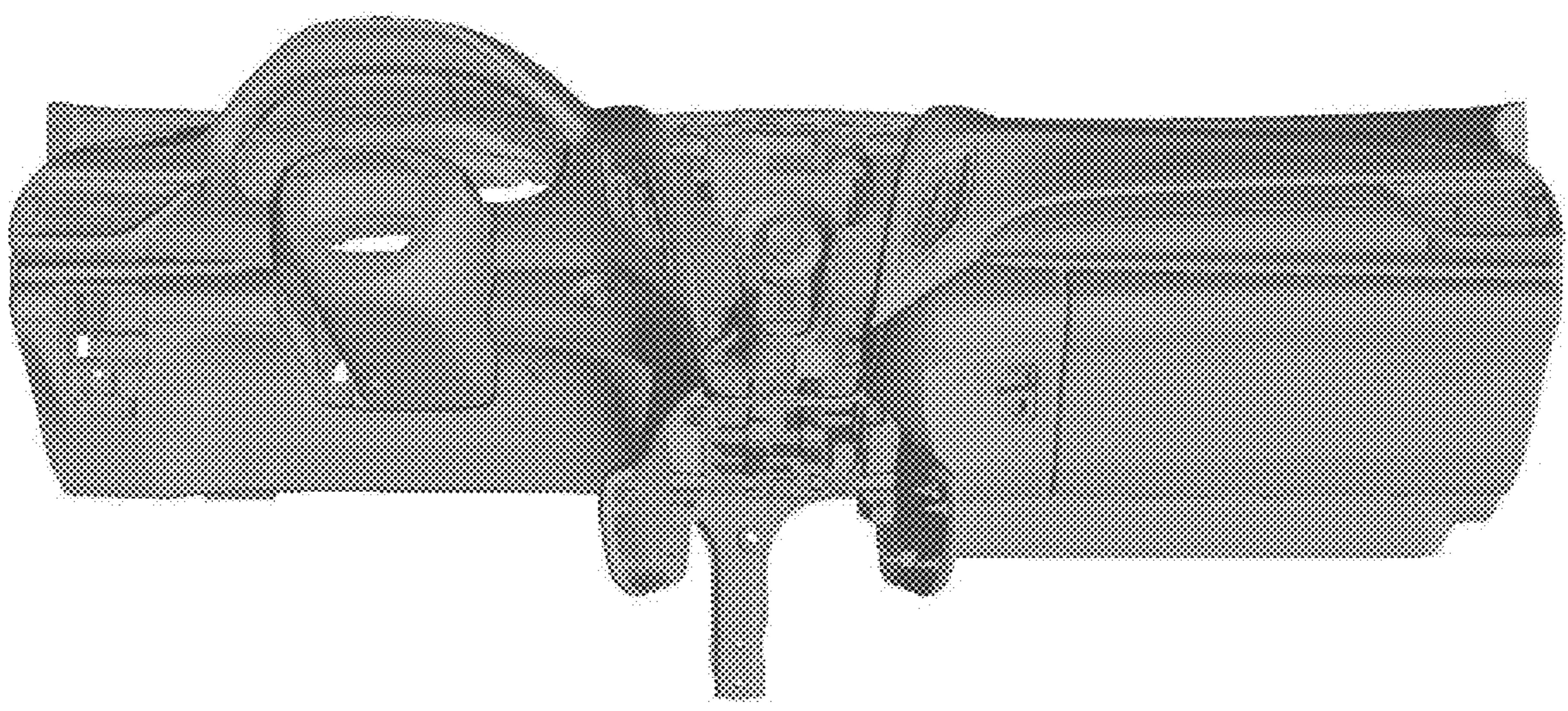
D819,533 S \* 6/2018 Choi ..... D12/192  
D824,306 S \* 7/2018 Joyce ..... D12/192  
D825,420 S \* 8/2018 Boyes ..... D12/192  
D826,122 S \* 8/2018 Yamamoto ..... D12/192  
D826,813 S \* 8/2018 Carr ..... D12/192  
D828,259 S \* 9/2018 Takagi ..... D12/192  
D828,260 S \* 9/2018 Takagi ..... D12/192  
D830,927 S \* 10/2018 Tanaka ..... D12/192

\* cited by examiner  
*Primary Examiner* — Katrina A Betton  
(74) *Attorney, Agent, or Firm* — Arent Fox LLP

(57) **CLAIM**  
The ornamental design for an instrument panel, as shown and described.

**DESCRIPTION**  
FIG. 1 is a front top right perspective view of an instrument panel showing my new design;  
FIG. 2 is a front top left perspective view of the design shown in FIG. 1;  
FIG. 3 is a rear top left perspective view of the design shown in FIG. 1;  
FIG. 4 is a rear top right perspective view of the design shown in FIG. 1;  
FIG. 5 is a front view of the design shown in FIG. 1;  
FIG. 6 is a rear view of the design shown in FIG. 1;  
FIG. 7 is a left side view of the design shown in FIG. 1;  
FIG. 8 is a right side view of the design shown in FIG. 1;  
FIG. 9 is a top view of the design shown in FIG. 1; and  
FIG. 10 is a bottom view of the design shown in FIG. 1.

**1 Claim, 10 Drawing Sheets**





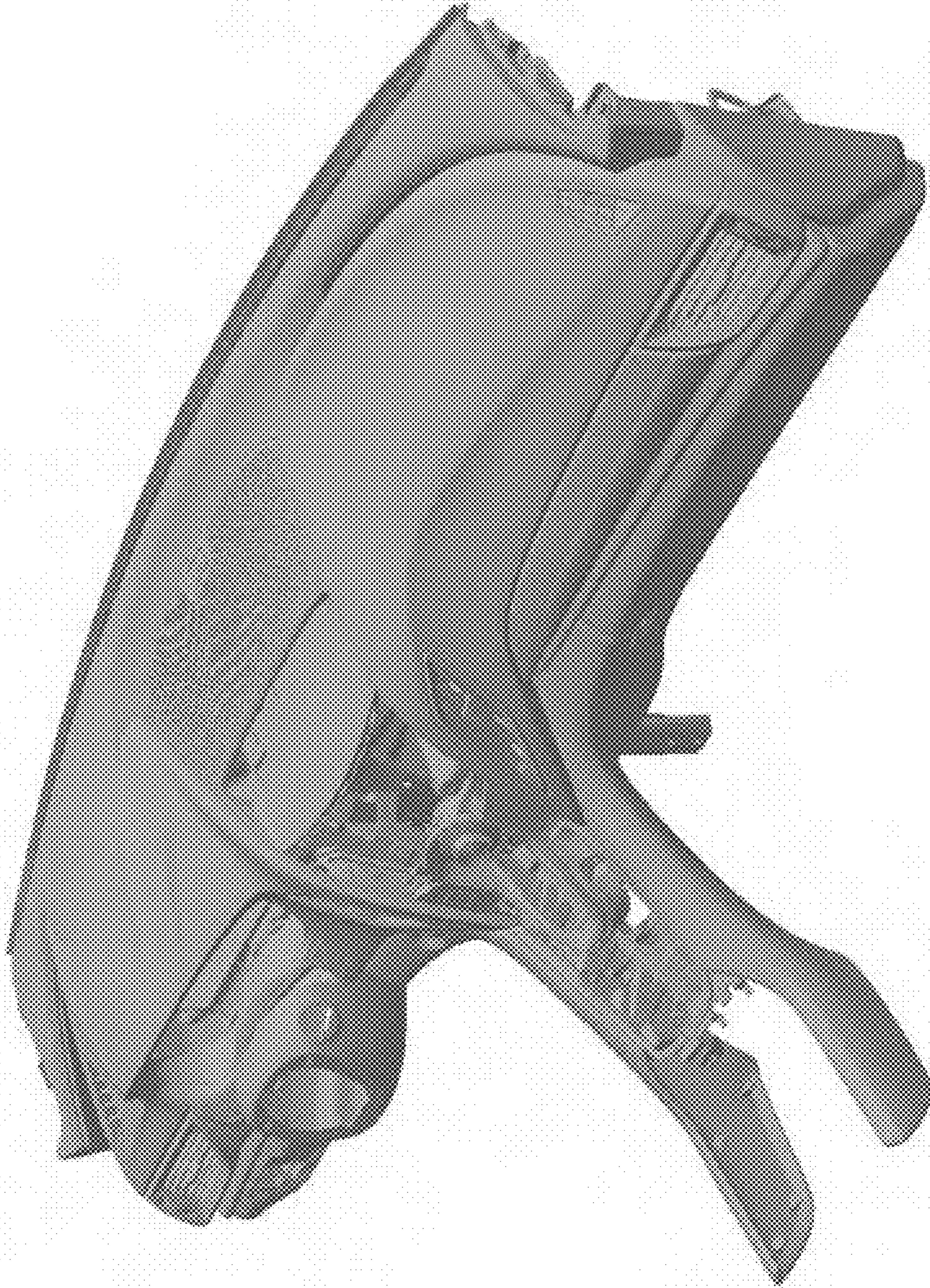


FIG. 1



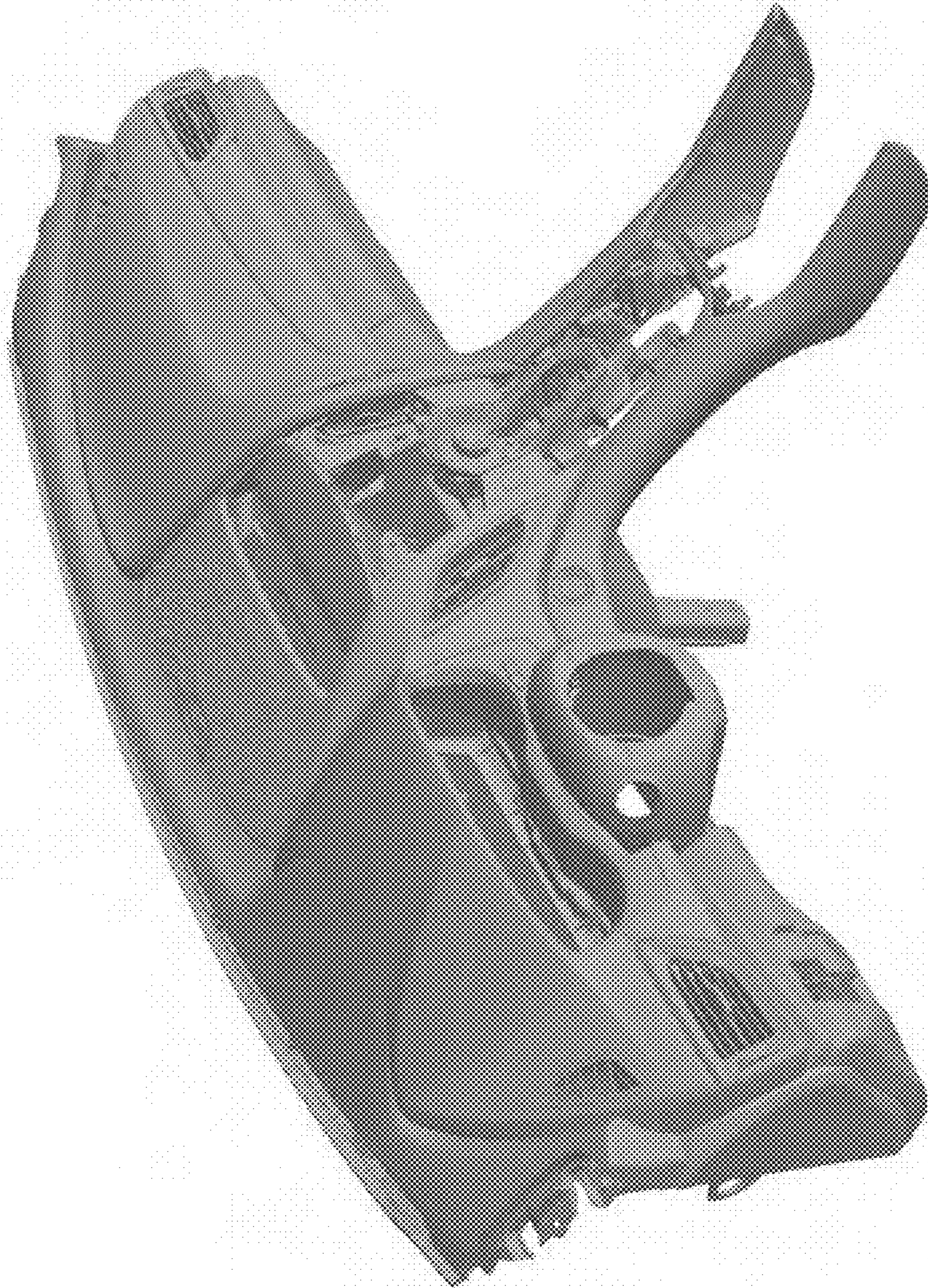


FIG. 2



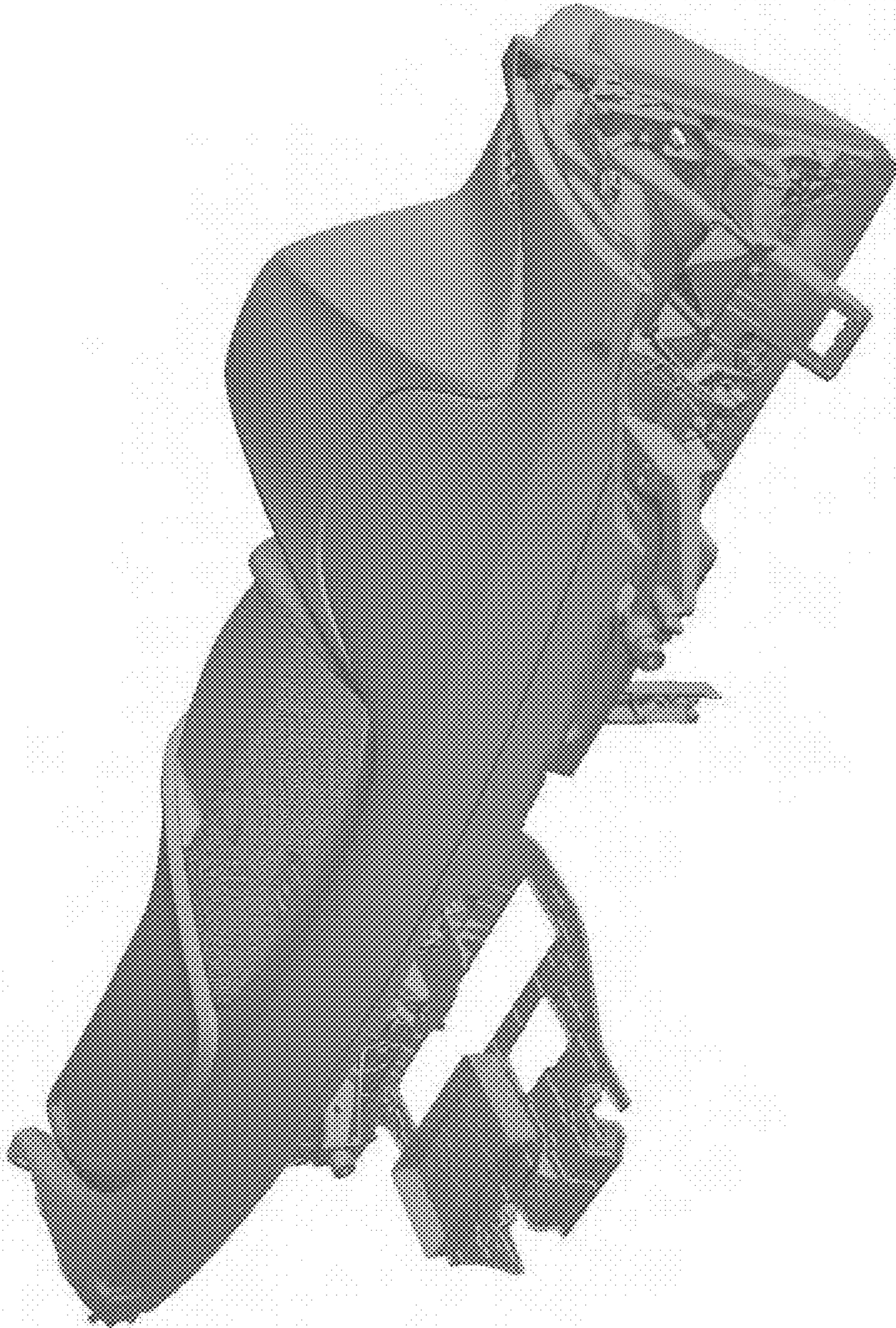


FIG. 3



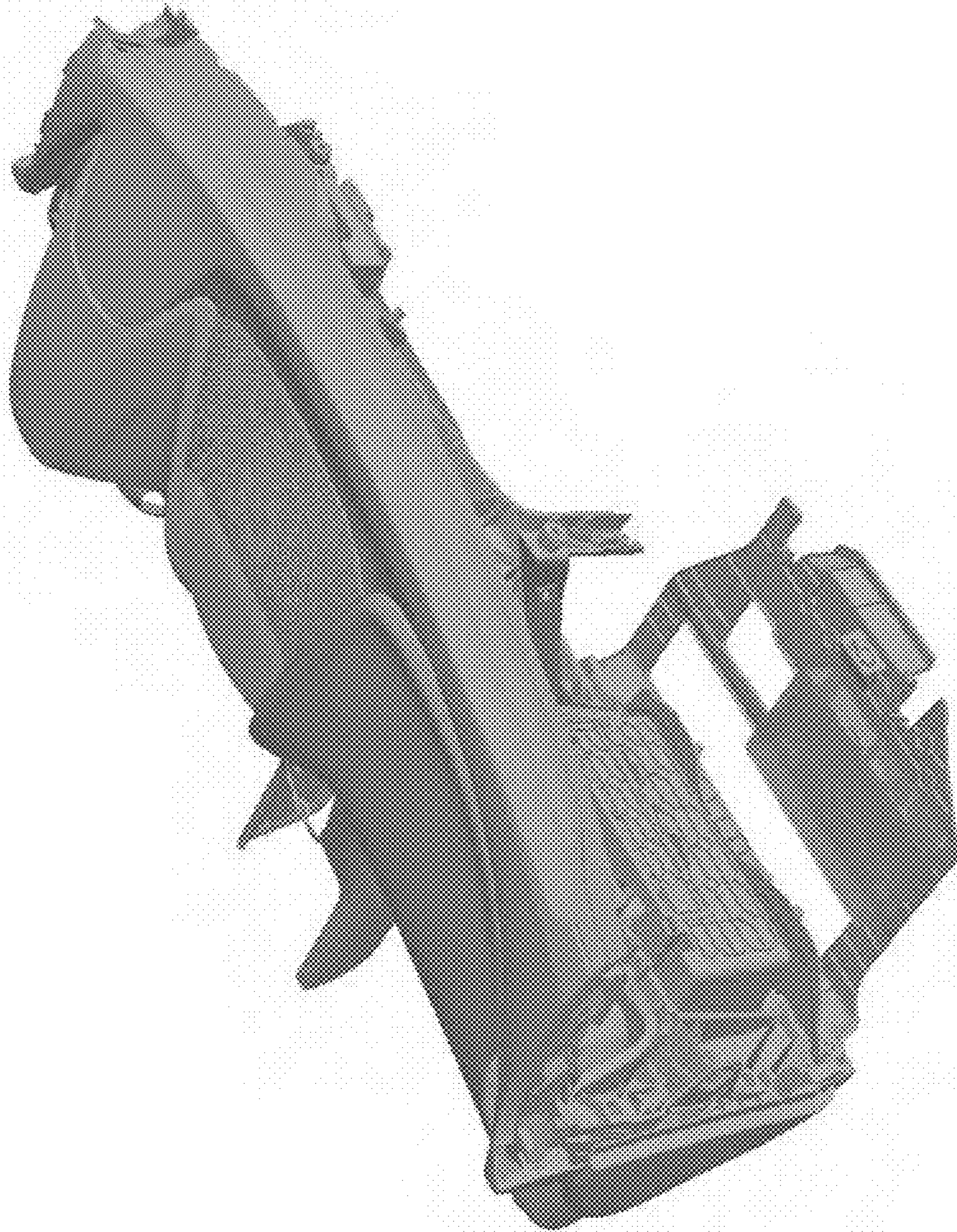


FIG. 4



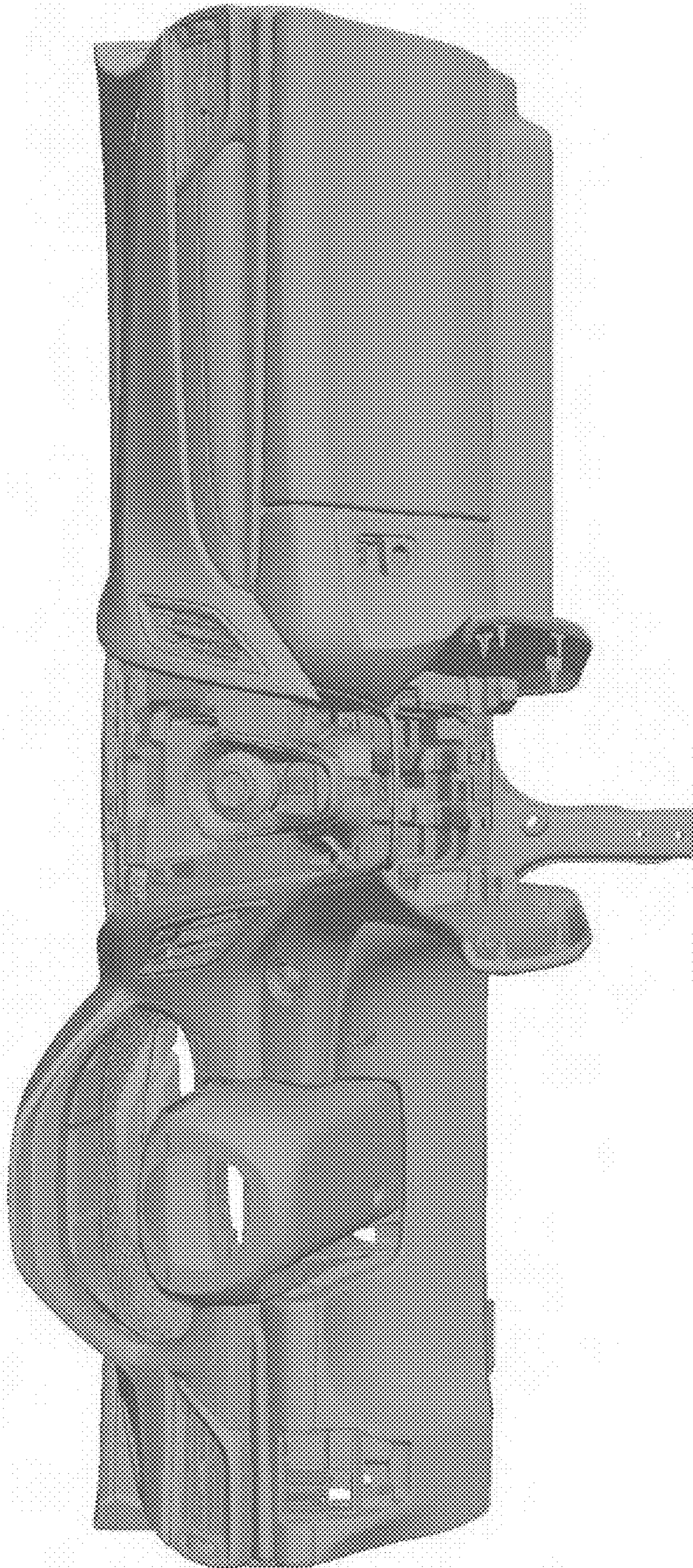


FIG. 5



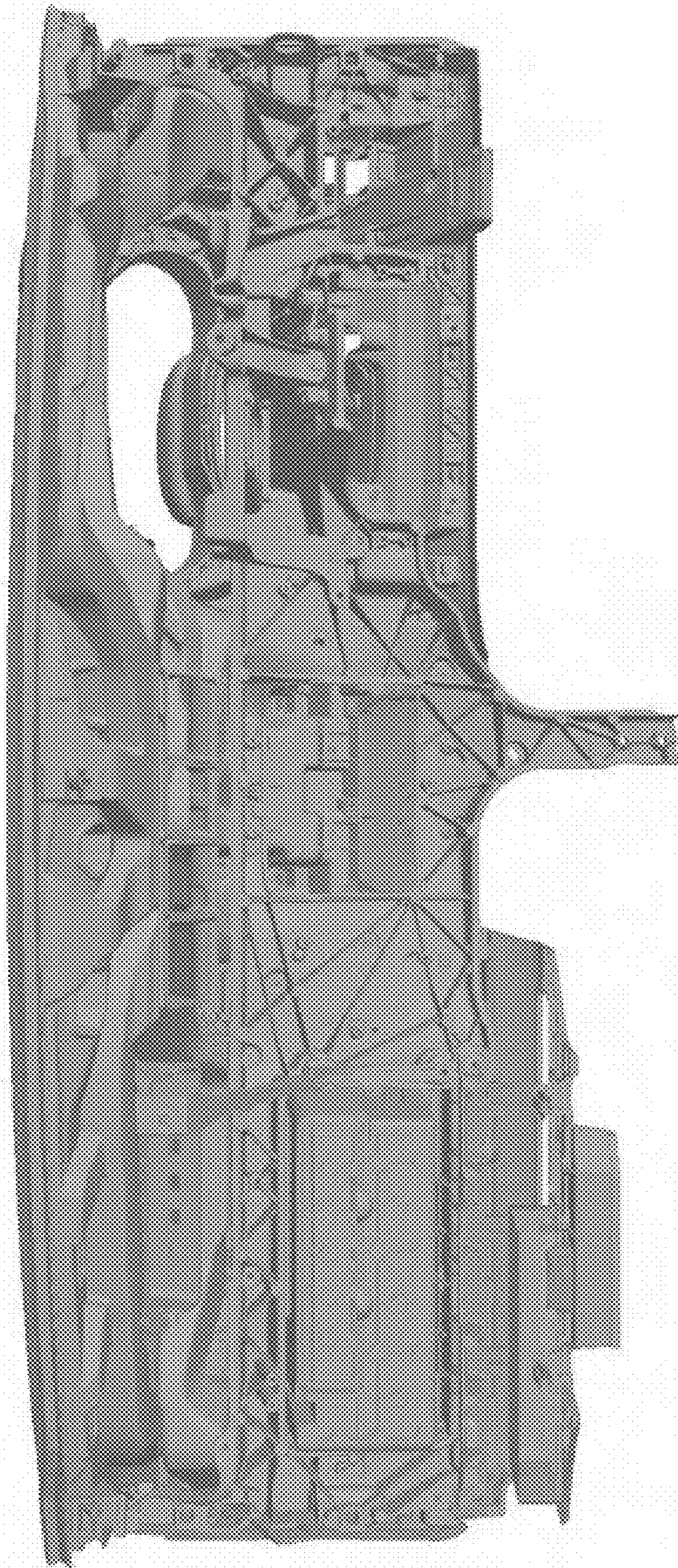


FIG. 6



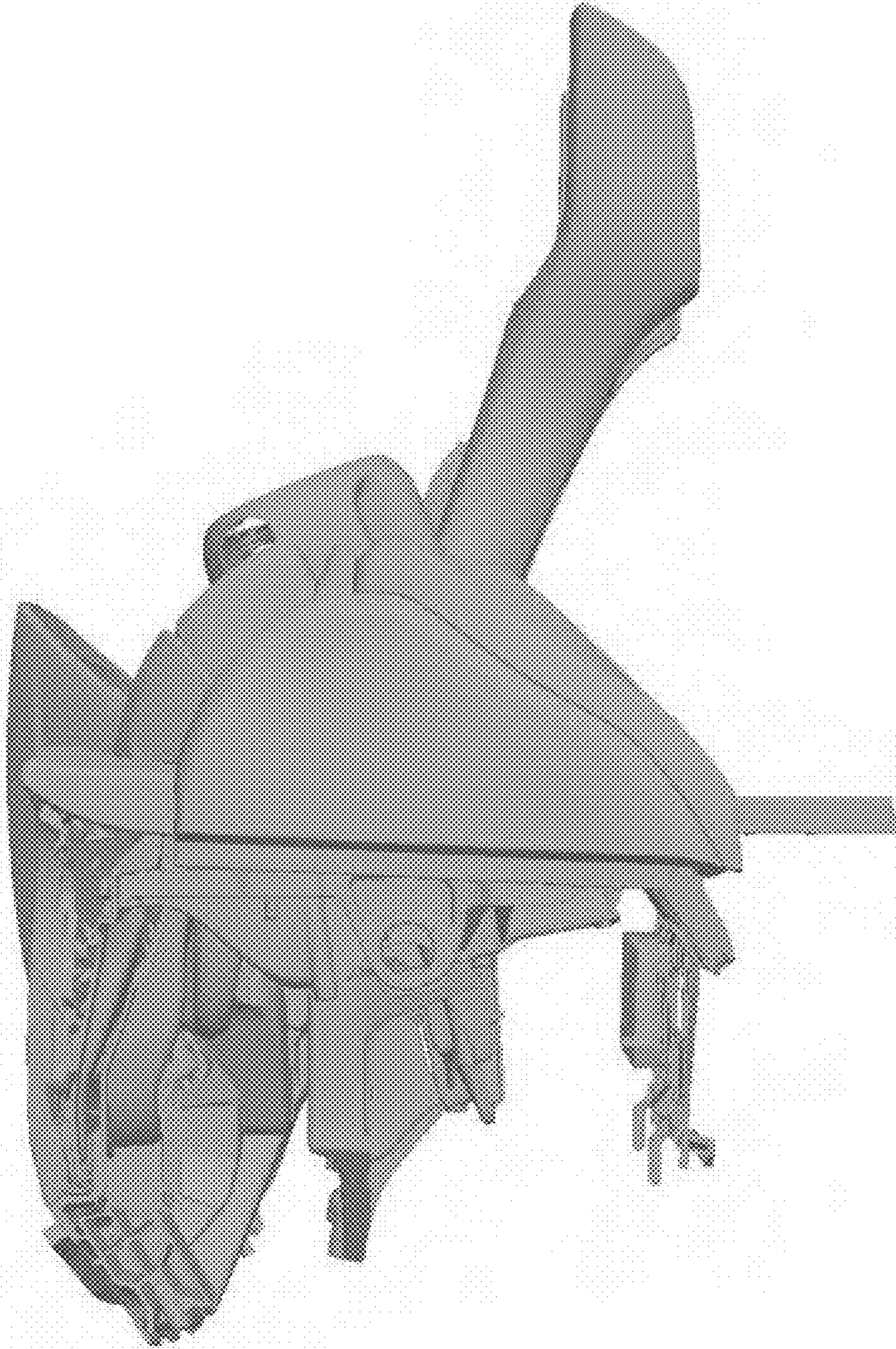


FIG. 7



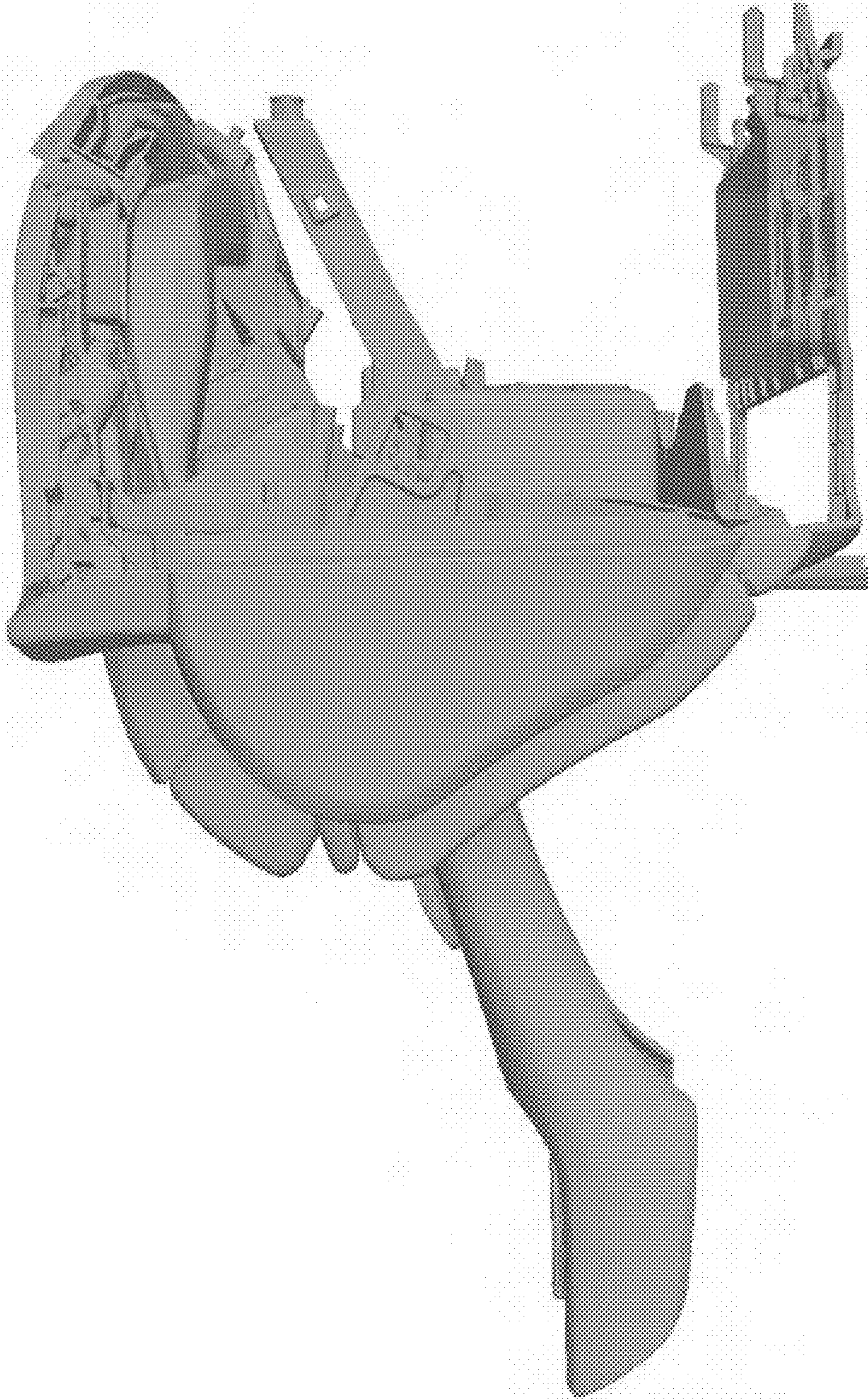


FIG. 8



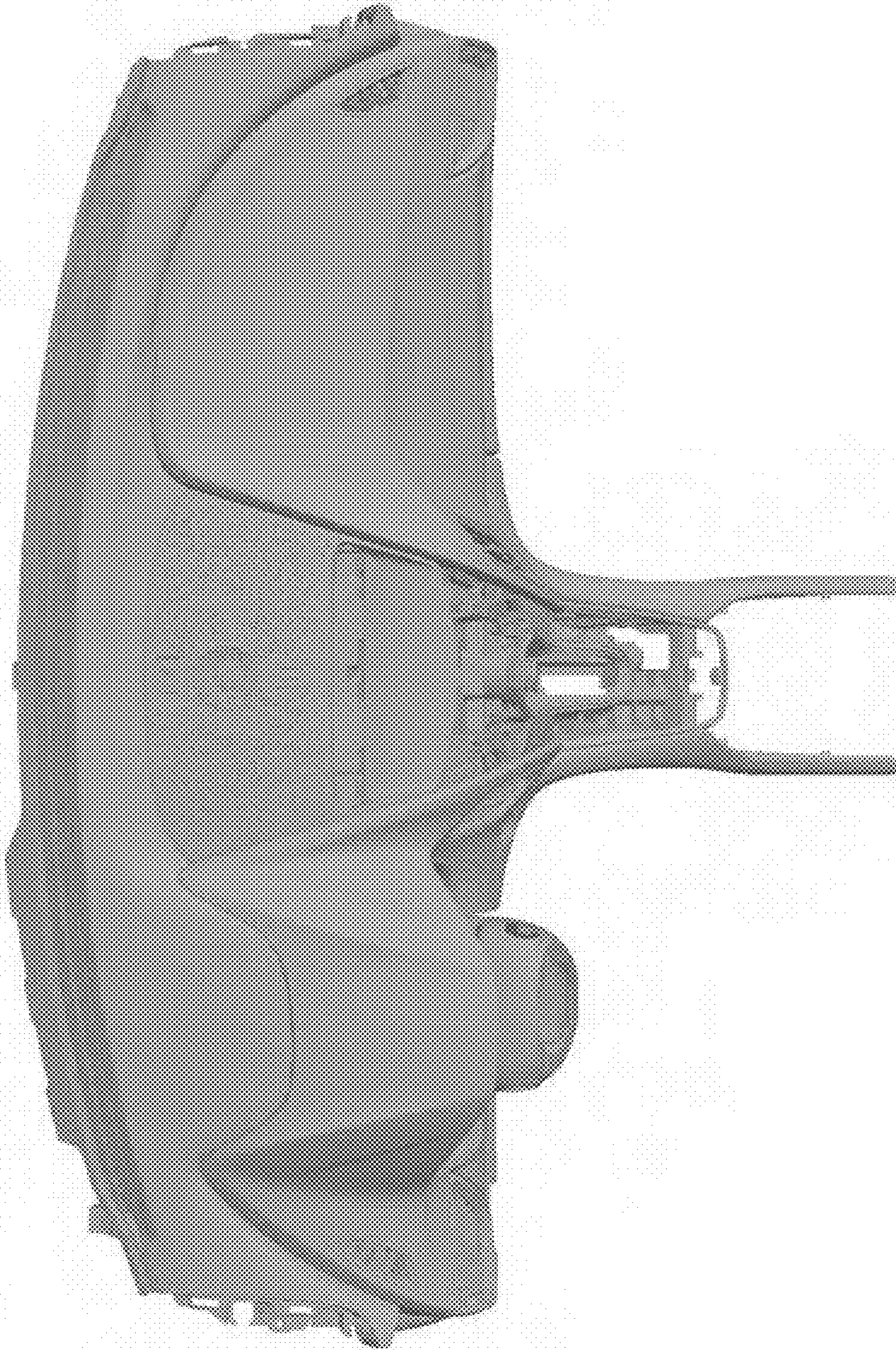


FIG. 9



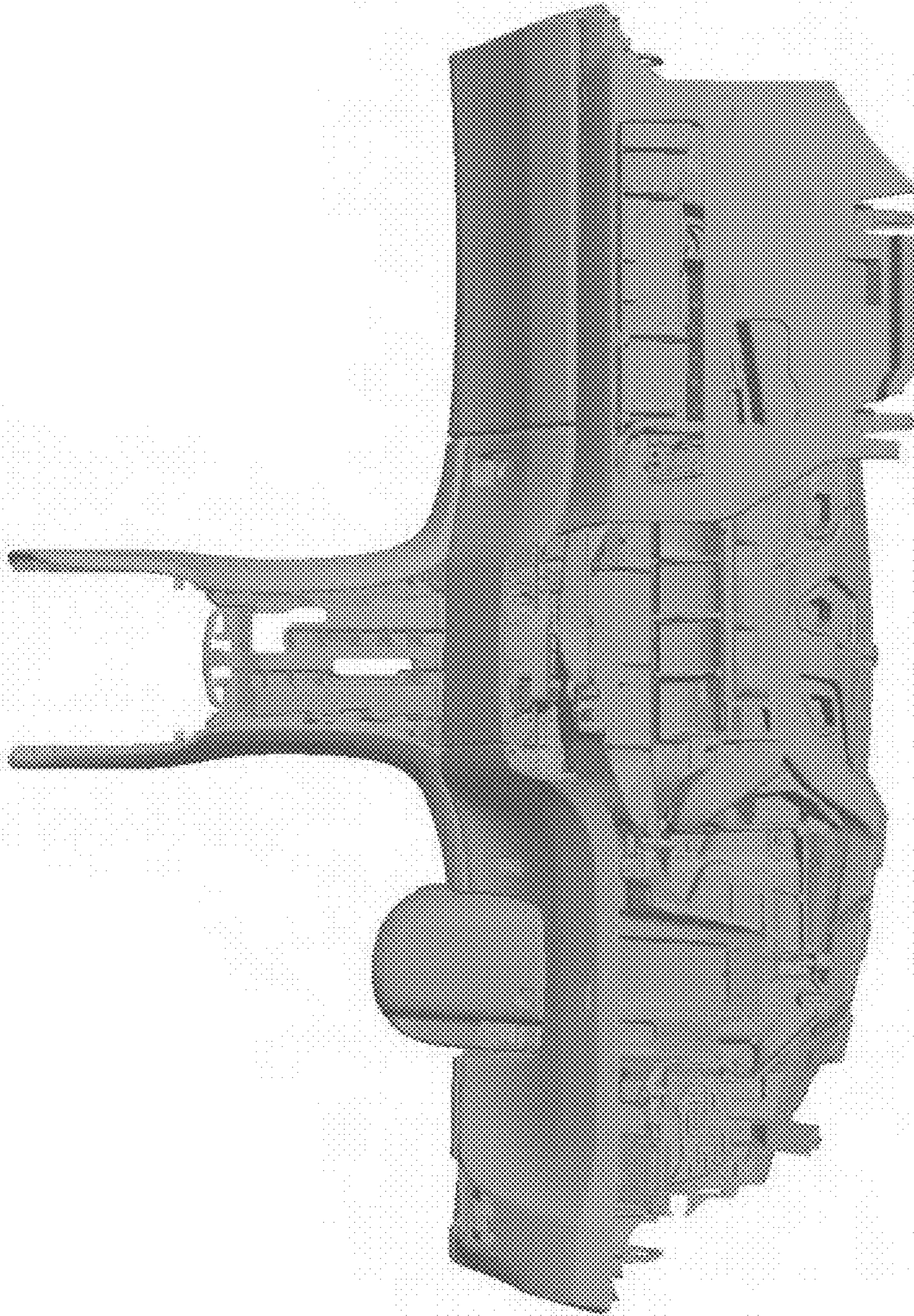


FIG. 10