



US00D844515S

(12) **United States Design Patent**  
**Webber et al.**

(10) **Patent No.:** **US D844,515 S**

(45) **Date of Patent:** **\*\* Apr. 2, 2019**

(54) **INTERIOR PANEL FOR A VEHICLE**

(71) Applicant: **Jaguar Land Rover Limited**, Whitley,  
Coventry (GB)

(72) Inventors: **Andy Webber**, Coventry (GB); **Chloe Nunn**, Coventry (GB)

(73) Assignee: **Jaguar Land Rover Limited**, Whitley,  
Coventry (GB)

(\*\*) Term: **15 Years**

(21) Appl. No.: **29/624,960**

(22) Filed: **Nov. 6, 2017**

(51) **LOC (11) Cl.** ..... **12-16**

(52) **U.S. Cl.**  
USPC ..... **D12/192**

(58) **Field of Classification Search**

USPC ..... D12/192, 415, 114, 345; D10/17, 28;  
D15/46, 98, 102-103, 122-127; D23/324  
CPC ..... B60H 1/34; B60H 1/3407; B60H 1/3414;  
B60H 1/3421; B60H 1/3428; B60H  
1/3435; B60H 1/3442; B60H 1/345;  
B60H 1/3457; B60H 2001/3464; B60H  
2001/3471; B60H 2001/3478; B60H  
2001/3485

See application file for complete search history.

(56) **References Cited**

**U.S. PATENT DOCUMENTS**

D813,127 S \* 3/2018 Yamamoto ..... D12/192  
D813,769 S \* 3/2018 Yaguchi ..... D12/192

D817,832 S \* 5/2018 Maezono ..... D12/192  
D819,533 S \* 6/2018 Choi ..... D12/192  
D824,306 S \* 7/2018 Joyce ..... D12/192  
D825,420 S \* 8/2018 Boyes ..... D12/192  
D826,122 S \* 8/2018 Yamamoto ..... D12/192  
D826,813 S \* 8/2018 Carr ..... D12/192  
D828,259 S \* 9/2018 Takagi ..... D12/192  
D828,260 S \* 9/2018 Takagi ..... D12/192  
D830,927 S \* 10/2018 Tanaka ..... D12/192

\* cited by examiner

*Primary Examiner* — Katrina A Betton

(74) *Attorney, Agent, or Firm* — Wood Herron & Evans  
LLP

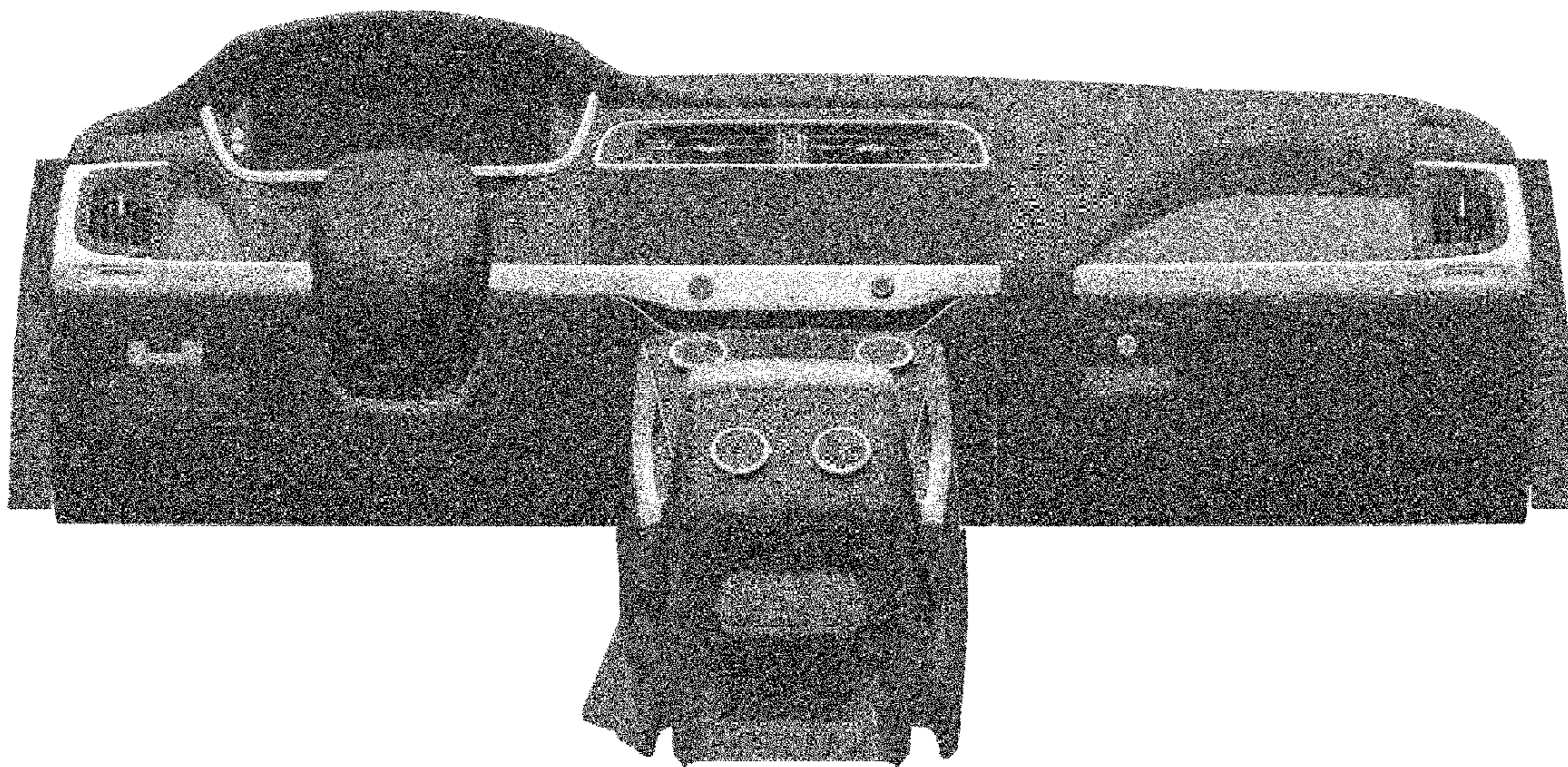
(57) **CLAIM**

The ornamental design for an interior panel for a vehicle, as shown and described.

**DESCRIPTION**

FIG. 1 is a front left perspective view of an interior panel for a vehicle according to the present invention.  
FIG. 2 is a front right perspective view of the interior panel shown in FIG. 1.  
FIG. 3 is a rear right perspective view thereof.  
FIG. 4 is a rear left perspective view thereof.  
FIG. 5 is a front view thereof.  
FIG. 6 is a rear view thereof.  
FIG. 7 is a left side view thereof.  
FIG. 8 is a right side view thereof.  
FIG. 9 is a top view thereof; and,  
FIG. 10 is a bottom view thereof.

**1 Claim, 10 Drawing Sheets**



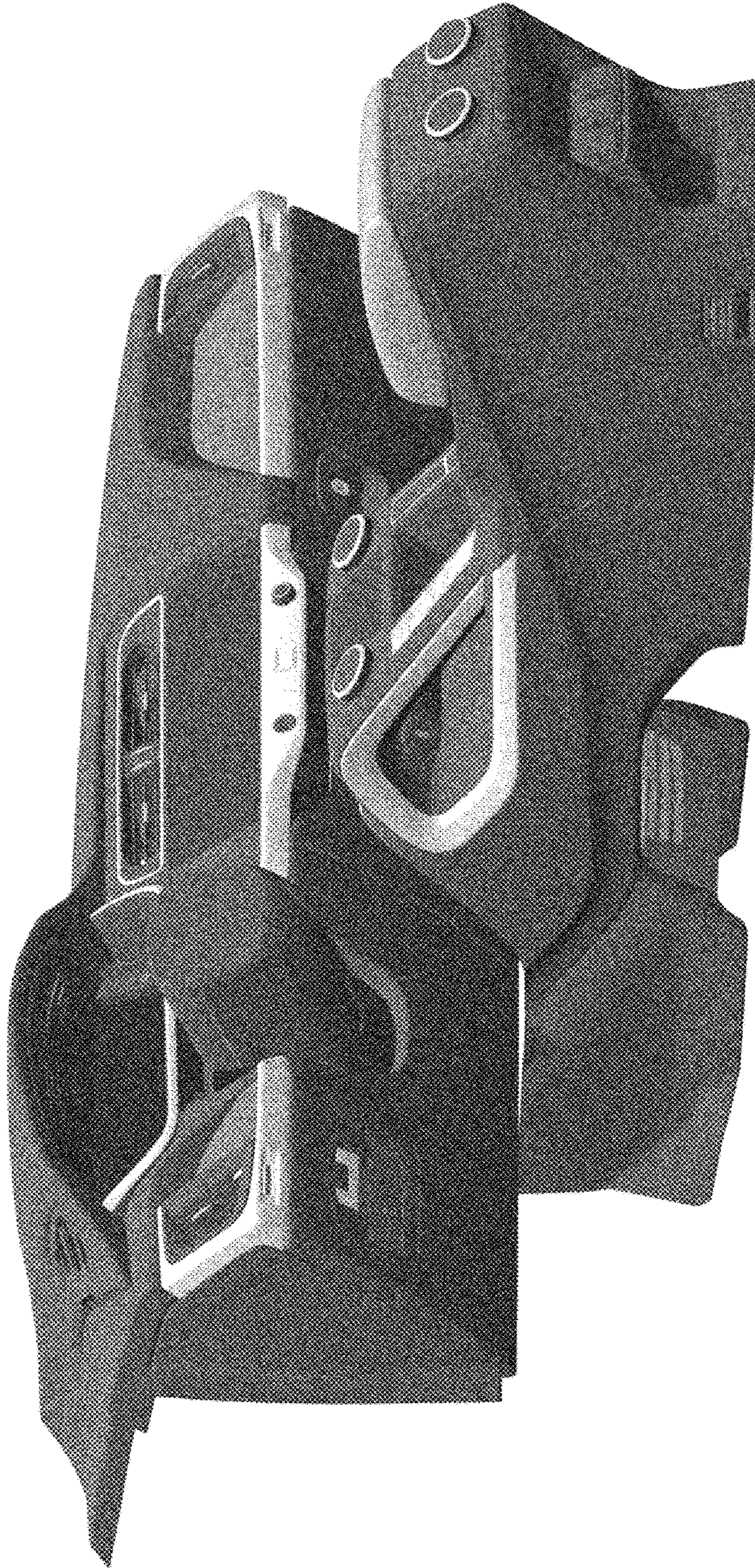


FIG. 1

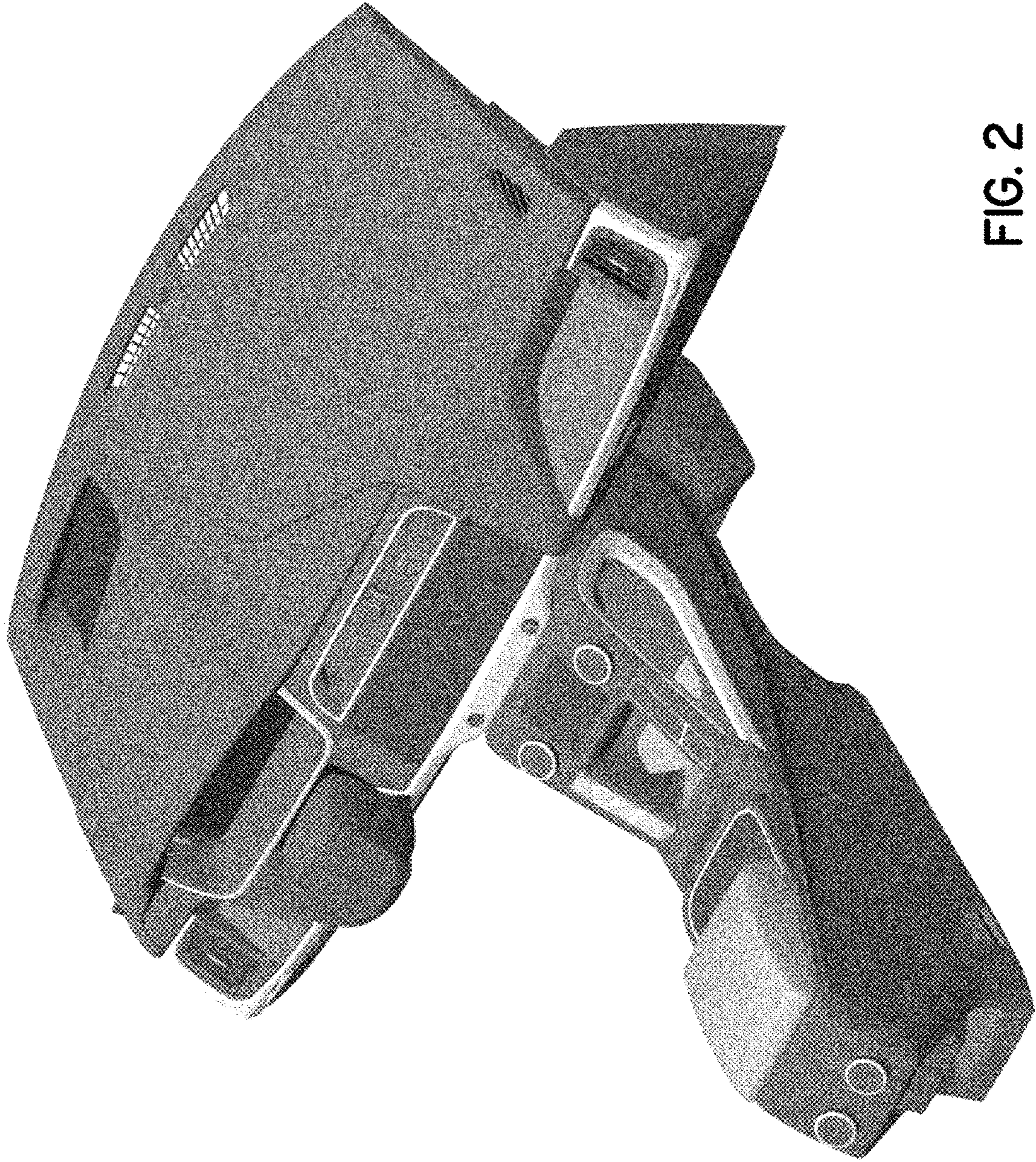


FIG. 2

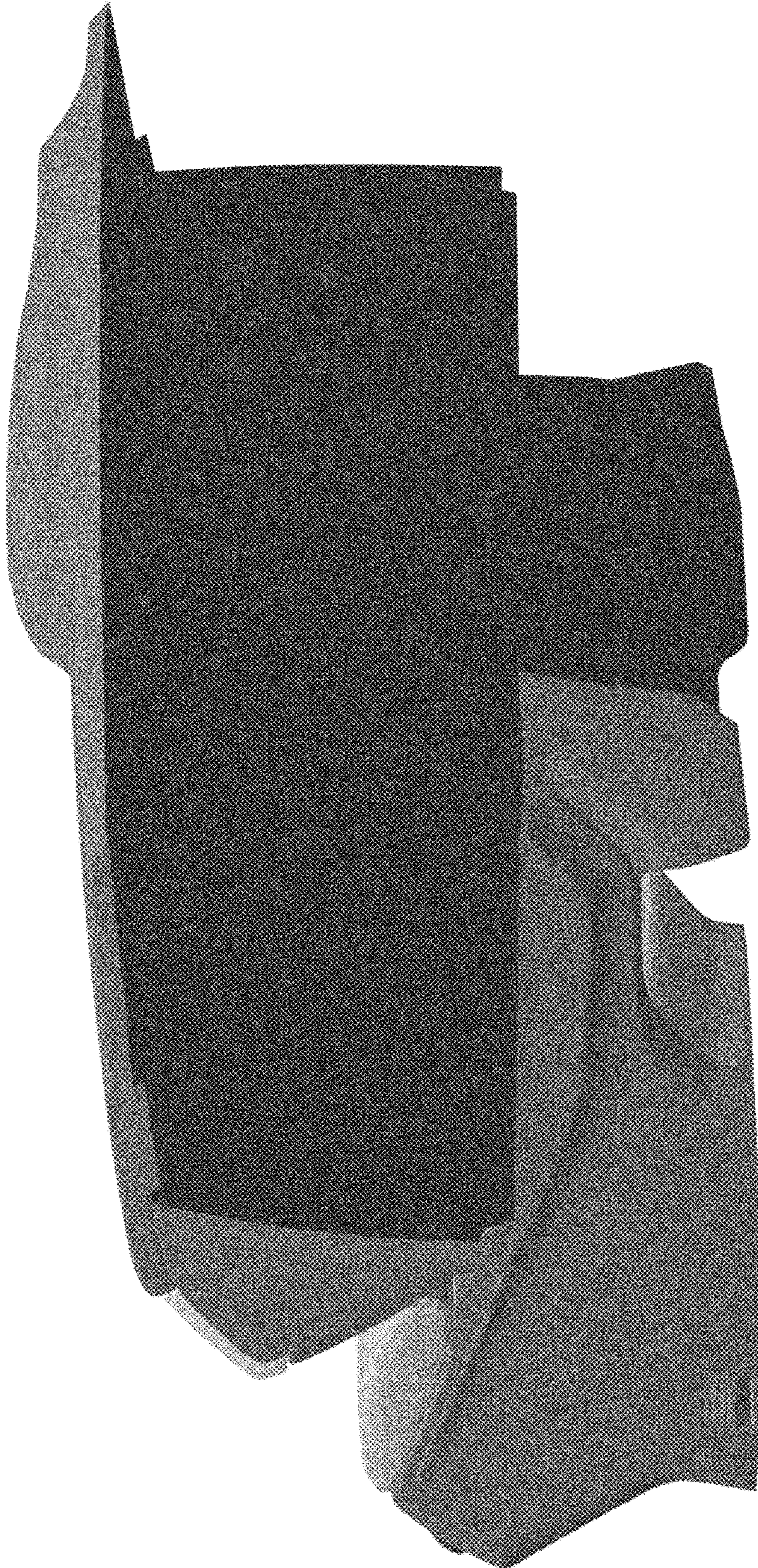


FIG. 3

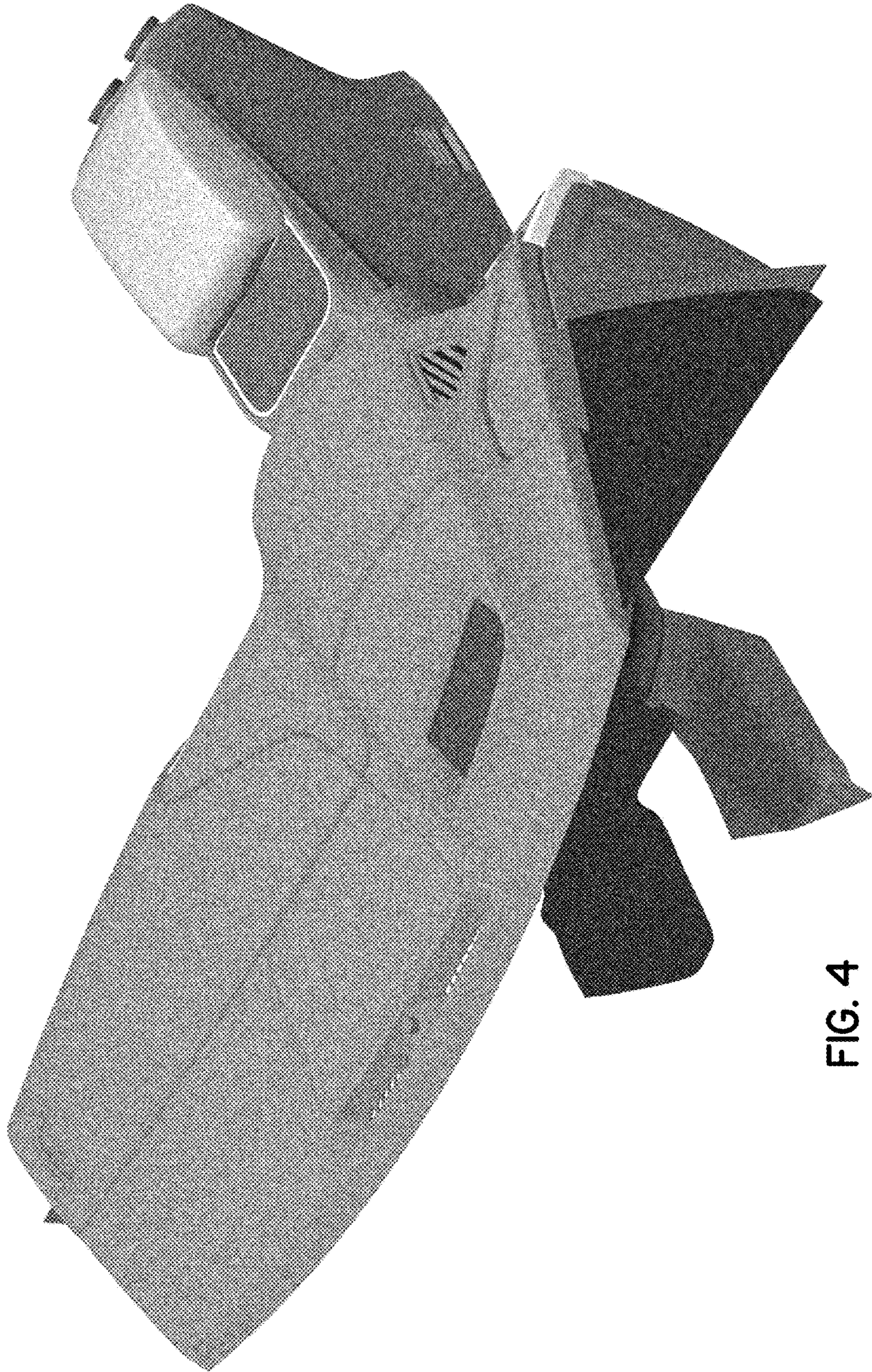


FIG. 4

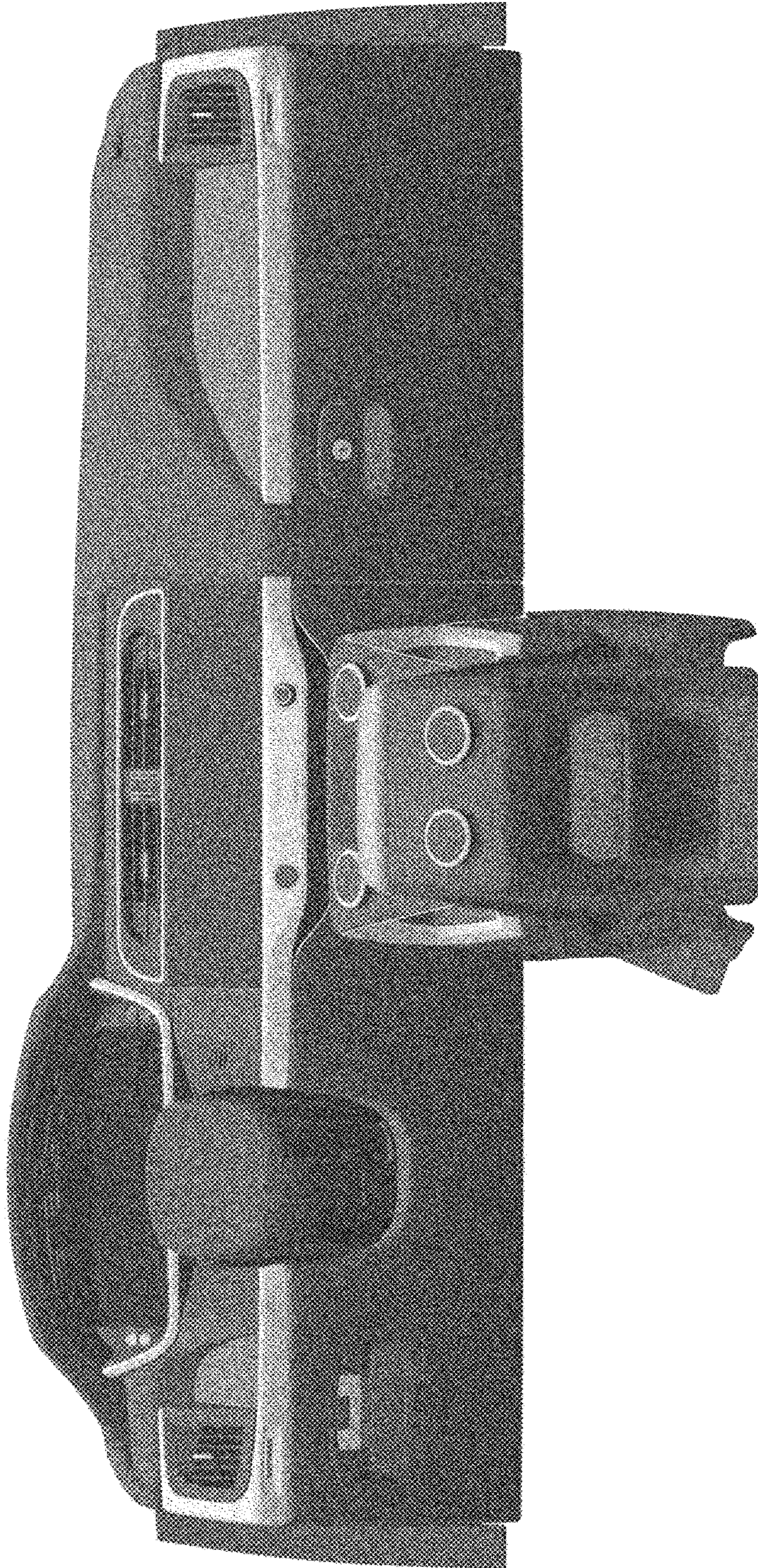


FIG. 5

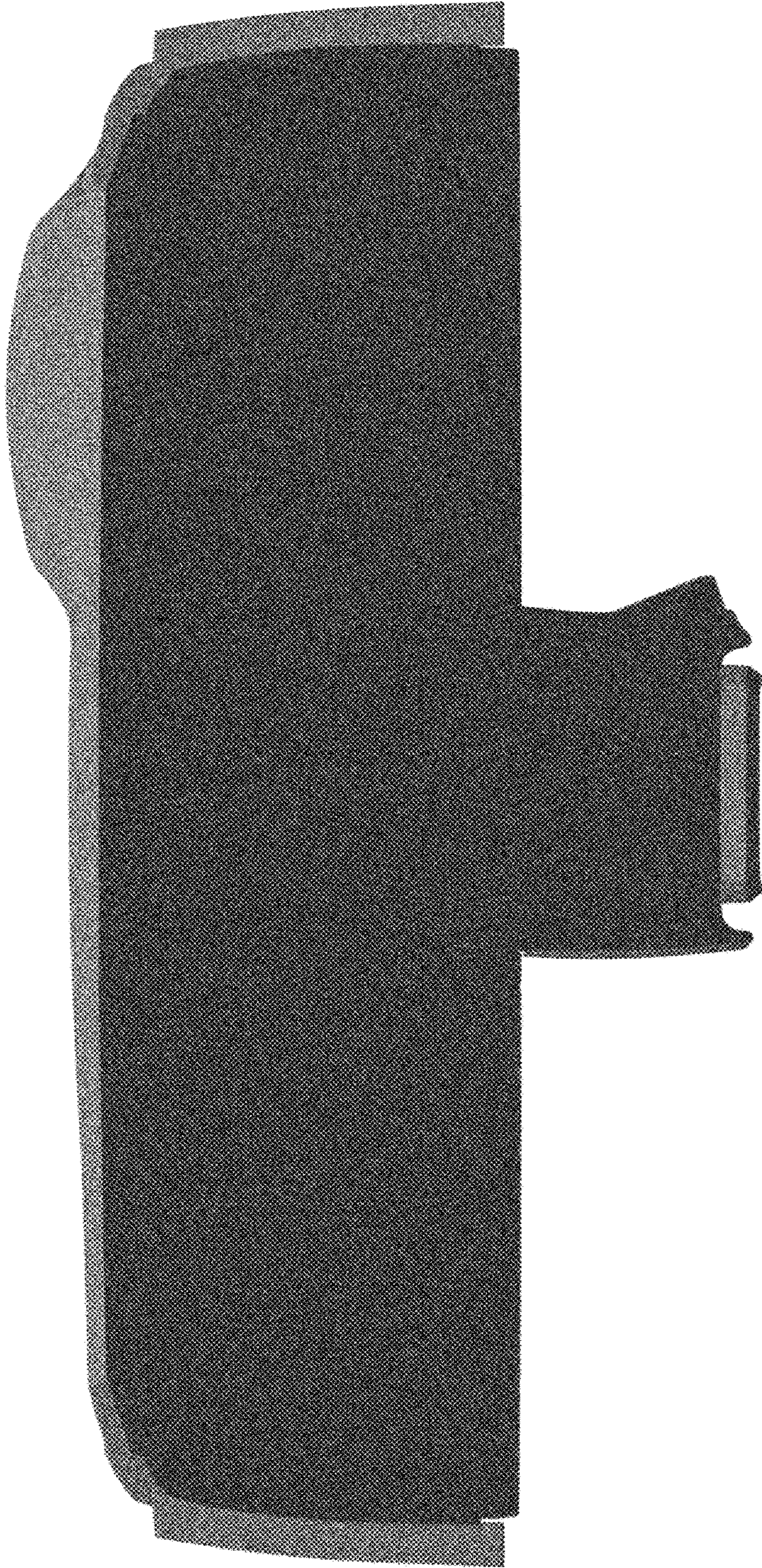


FIG. 6

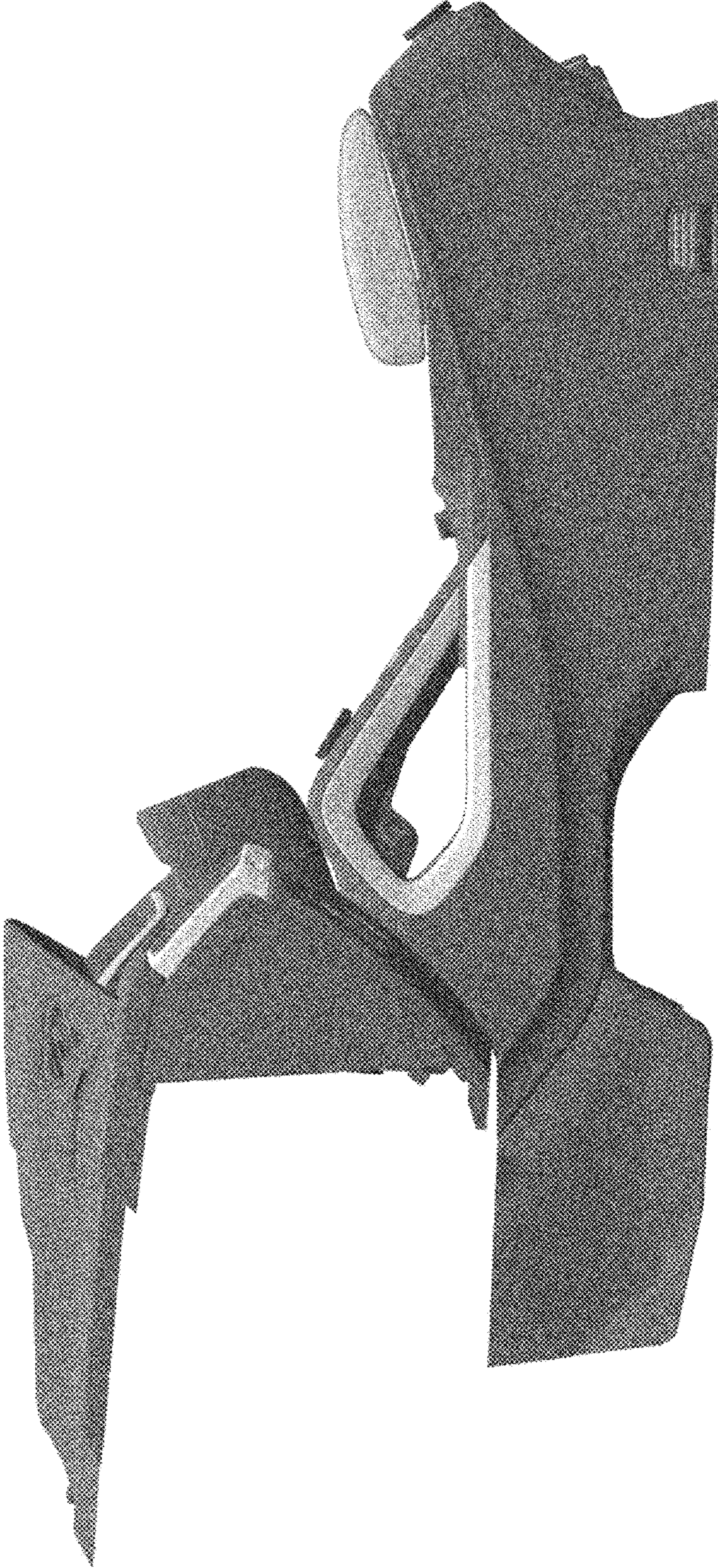


FIG. 7



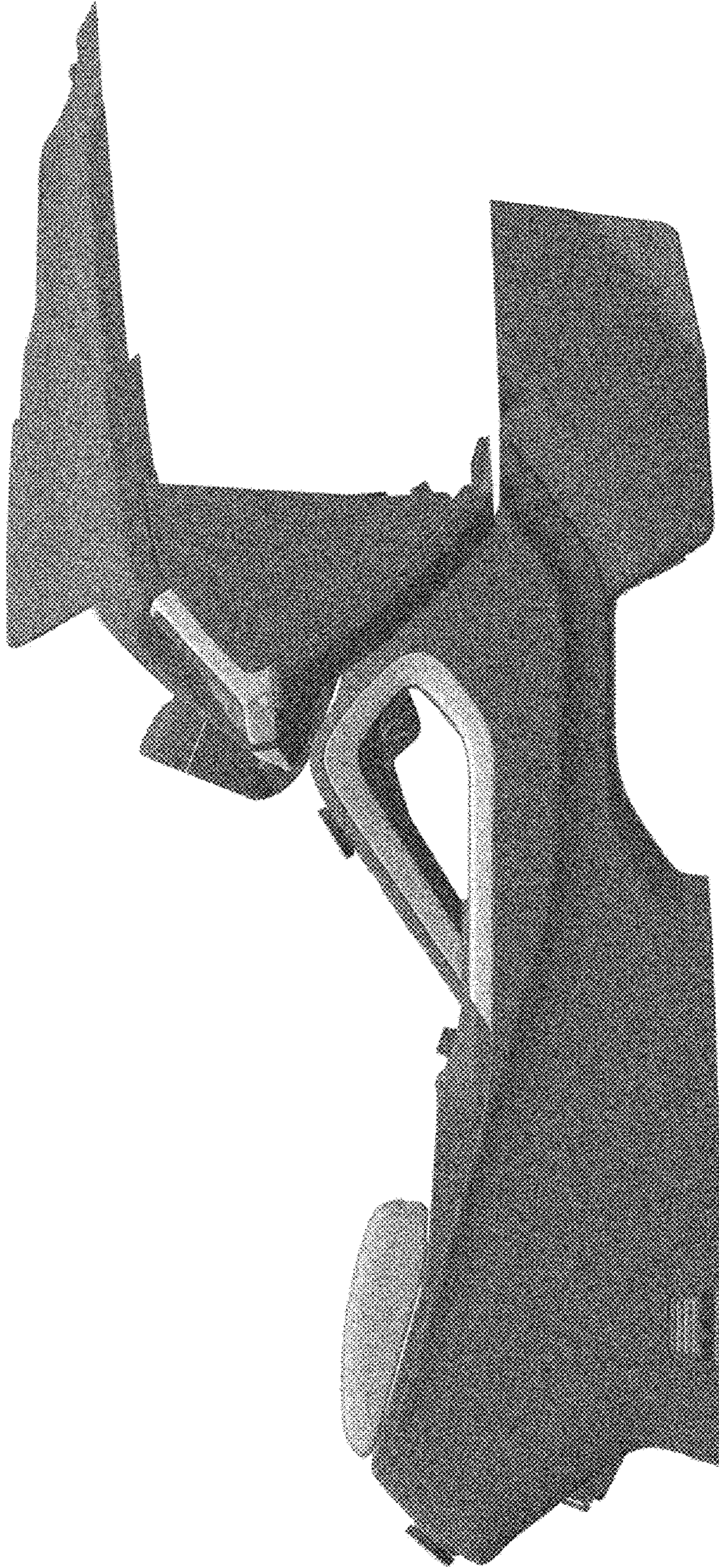


FIG. 8

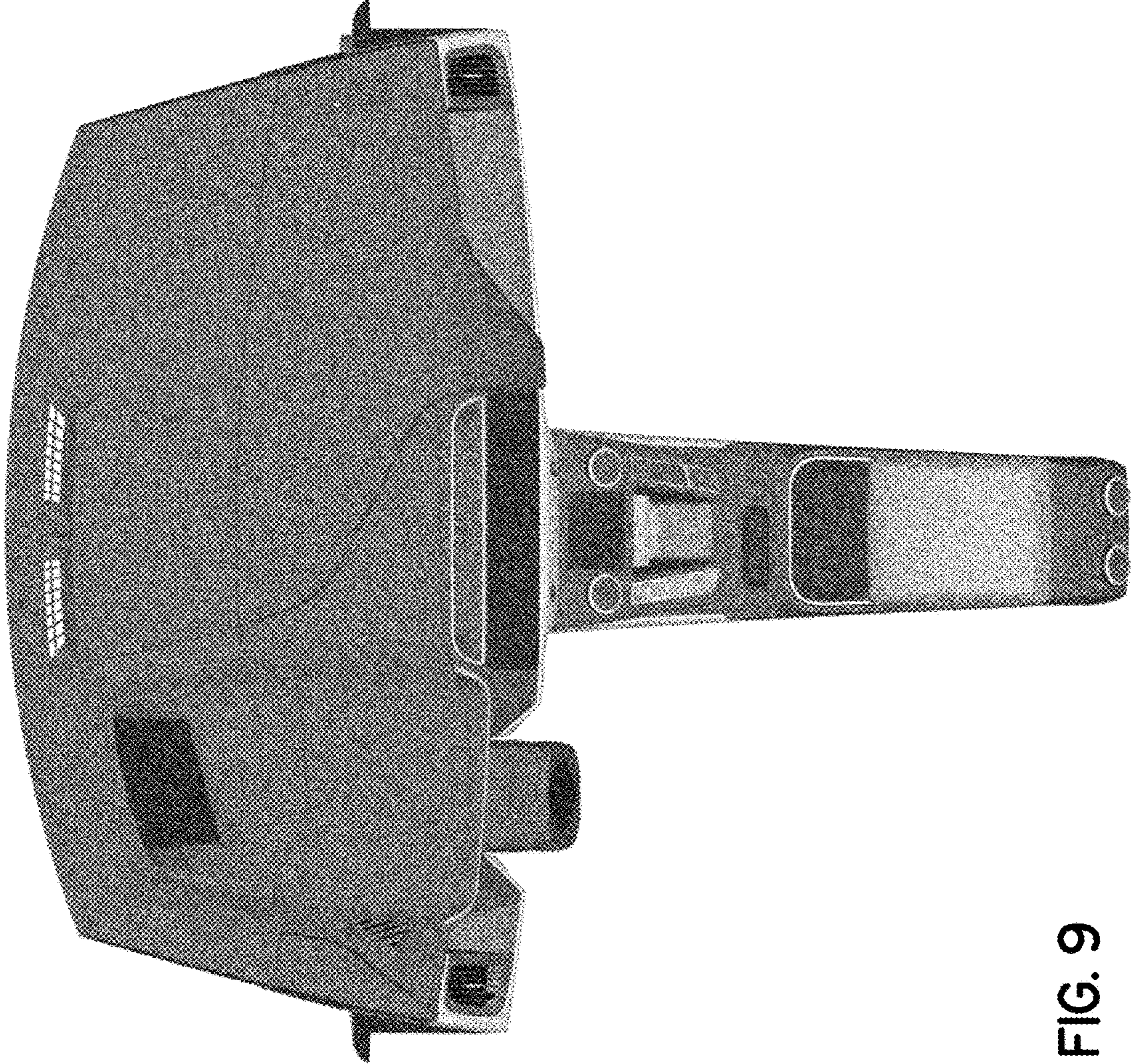


FIG. 9

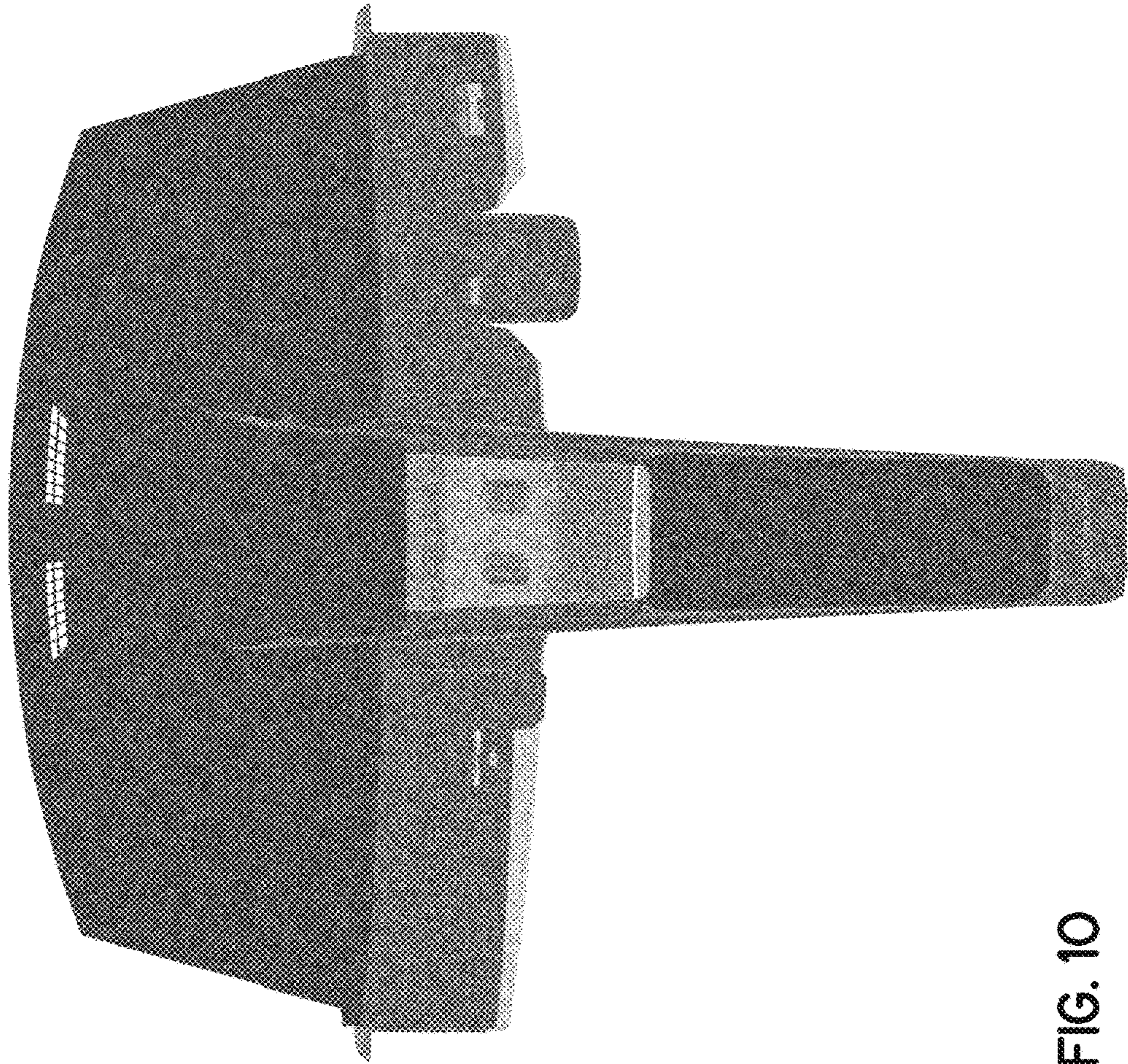


FIG. 10

UNITED STATES PATENT AND TRADEMARK OFFICE  
**CERTIFICATE OF CORRECTION**

PATENT NO. : D844,515 S  
APPLICATION NO. : 29/624960  
DATED : April 2, 2019  
INVENTOR(S) : Andy Webber et al.

Page 1 of 1

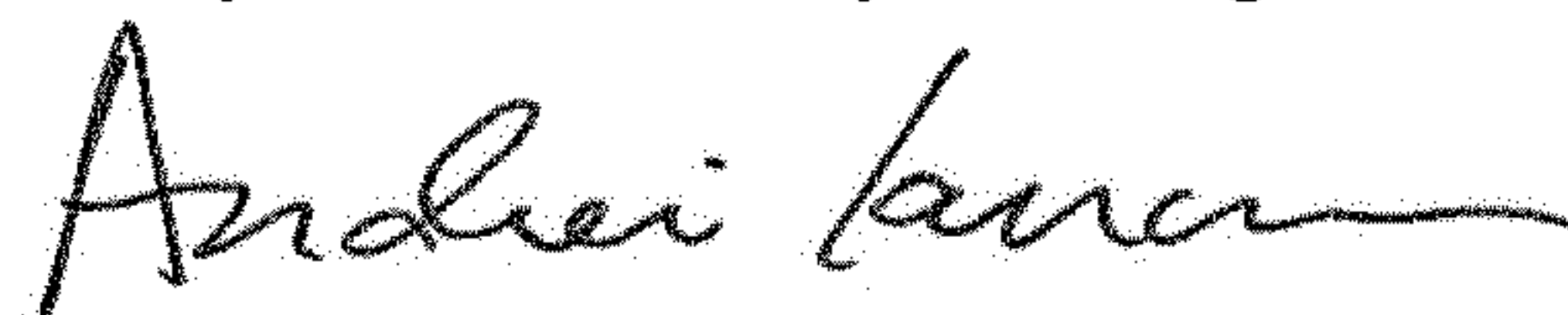
It is certified that error appears in the above-identified patent and that said Letters Patent is hereby corrected as shown below:

On the Title Page

Column 1, the heading "Foreign Application Priority Data" and the information are missing. It should read as follows:

--(30) Foreign Application Priority Data  
May 11, 2017 (EM).....003997071.--

Signed and Sealed this  
Twenty-seventh Day of August, 2019



Andrei Iancu  
*Director of the United States Patent and Trademark Office*