



US00D844510S

(12) **United States Design Patent**  
**Grewer**

(10) **Patent No.:** **US D844,510 S**

(45) **Date of Patent:** **\*\* Apr. 2, 2019**

- (54) **REAR BUMPER FOR A VEHICLE**
- (71) Applicant: **Jaguar Land Rover Limited**, Whitley, Coventry (GB)
- (72) Inventor: **Dale Grewer**, Coventry (GB)
- (73) Assignee: **Jaguar Land Rover Limited**, Whitley, Coventry (GB)

(\*\*) Term: **15 Years**

(21) Appl. No.: **29/637,996**

(22) Filed: **Feb. 23, 2018**

(30) **Foreign Application Priority Data**

Sep. 6, 2017 (EM) ..... 004244275

(51) **LOC (11) Cl.** ..... **12-16**

(52) **U.S. Cl.**  
USPC ..... **D12/169**

(58) **Field of Classification Search**  
USPC ..... D12/169; 293/102, 113, 115, 117, 120;  
296/180.1, 180.2  
CPC ..... B60R 19/02; B60R 19/04; B62D 25/08  
See application file for complete search history.

(56) **References Cited**

**U.S. PATENT DOCUMENTS**

- D743,851 S \* 11/2015 Frascella ..... D12/164
- D776,580 S \* 1/2017 Fukui ..... D12/164
- D779,394 S \* 2/2017 Suga ..... D12/164
- D805,959 S \* 12/2017 Wheel ..... D12/91
- D805,960 S \* 12/2017 Wheel ..... D12/91

- D807,245 S \* 1/2018 Patel ..... D12/164
- D817,817 S \* 5/2018 Frascella ..... D12/91
- D818,399 S \* 5/2018 Frascella ..... D12/91

\* cited by examiner

*Primary Examiner* — Melody N Brown

(74) *Attorney, Agent, or Firm* — Wood Herron & Evans LLP

(57) **CLAIM**

The ornamental design for a rear bumper for a vehicle, as shown and described.

**DESCRIPTION**

FIG. 1 is a right, front perspective view of a rear bumper for a vehicle showing my new design;

FIG. 2 is a left, front perspective view thereof;

FIG. 3 is a left, rear perspective view thereof;

FIG. 4 is a right, rear perspective view thereof;

FIG. 5 is a front elevational view thereof;

FIG. 6 is a rear elevational view thereof;

FIG. 7 is a left side elevational view thereof;

FIG. 8 is a right side elevational view thereof;

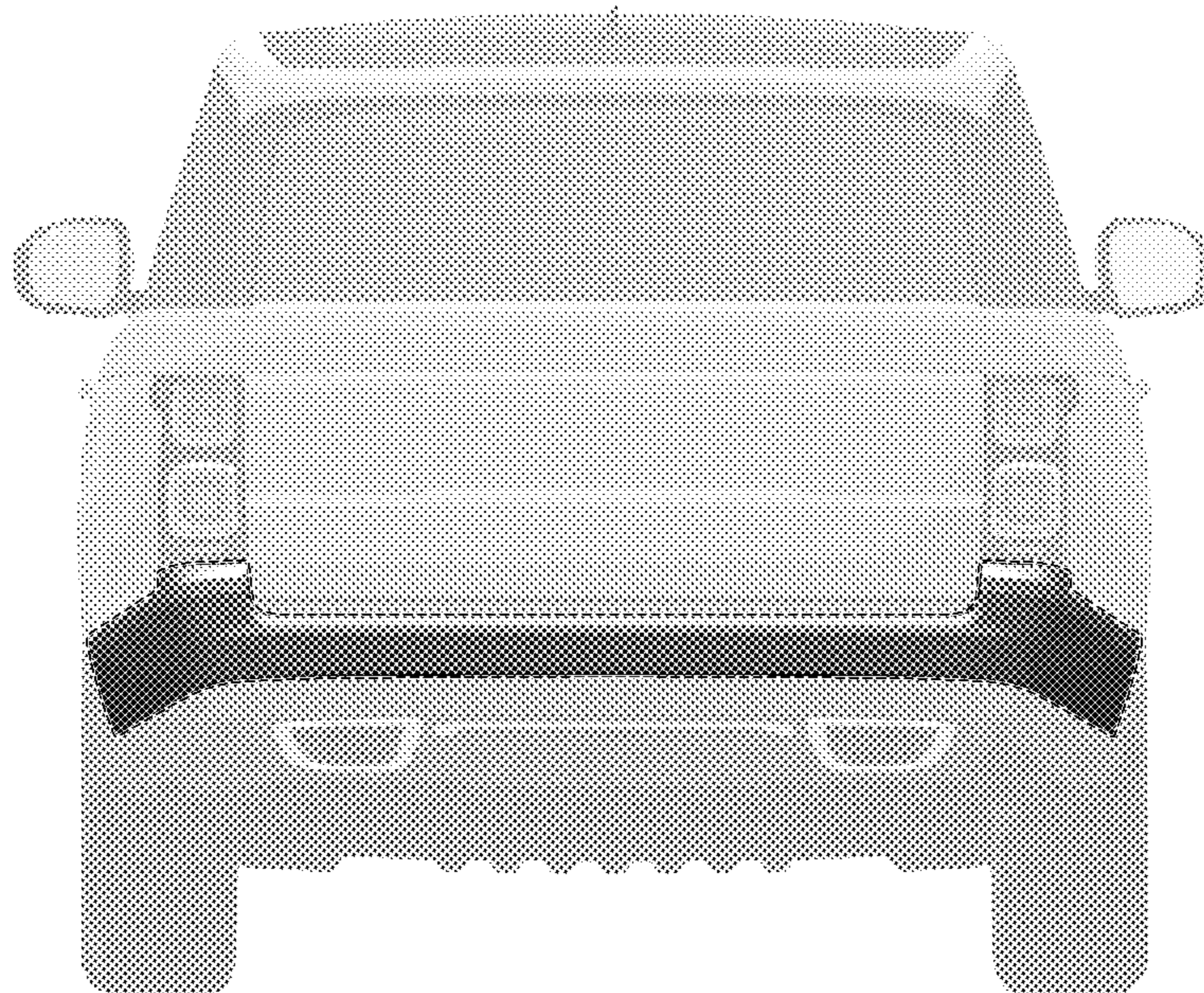
FIG. 9 is a top plan view thereof;

FIG. 10 is a bottom plan view thereof; and,

FIG. 11 is another front elevational view thereof shown on a vehicle.

The portions of the vehicle shown in the FIG. 11 drawing view in a de-emphasized and half-tone form outside the broken lines and the broken lines representing the boundary and configuration of what is claimed as the design are all for environmental and illustrative purposes only and form no part of the claimed design.

**1 Claim, 8 Drawing Sheets**





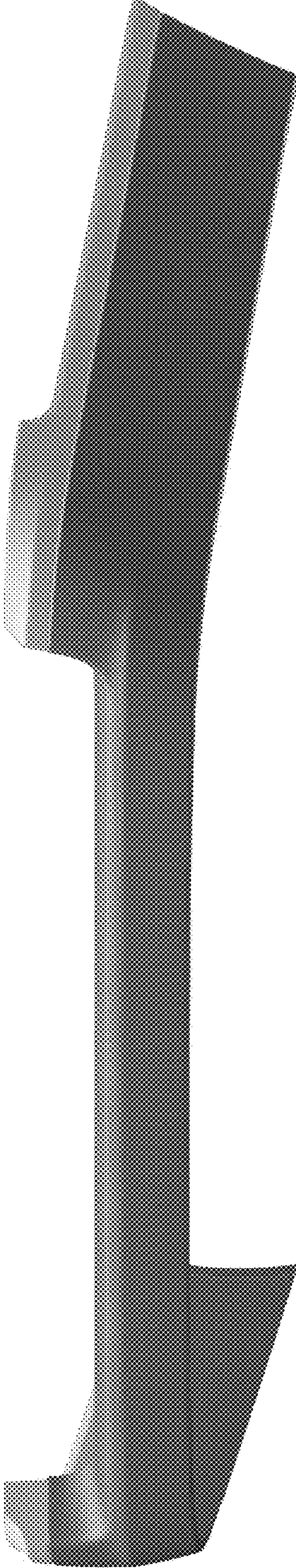


FIG. 1

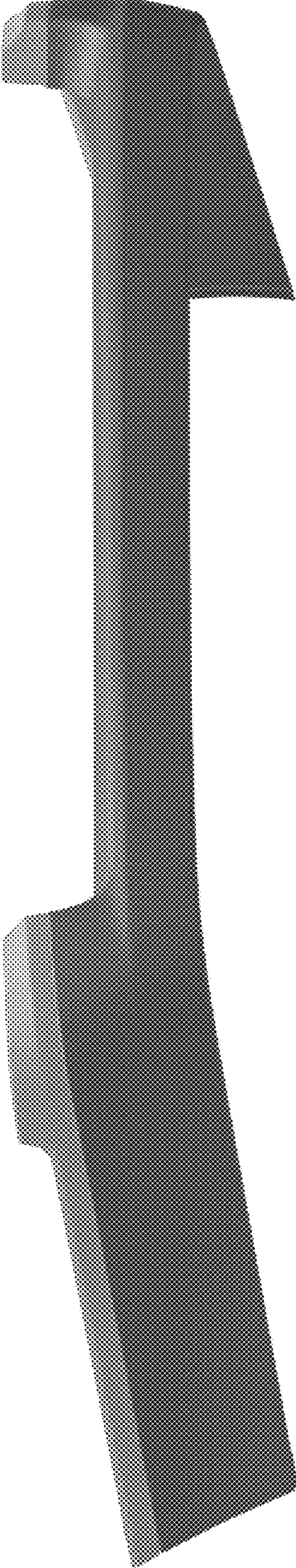


FIG. 2



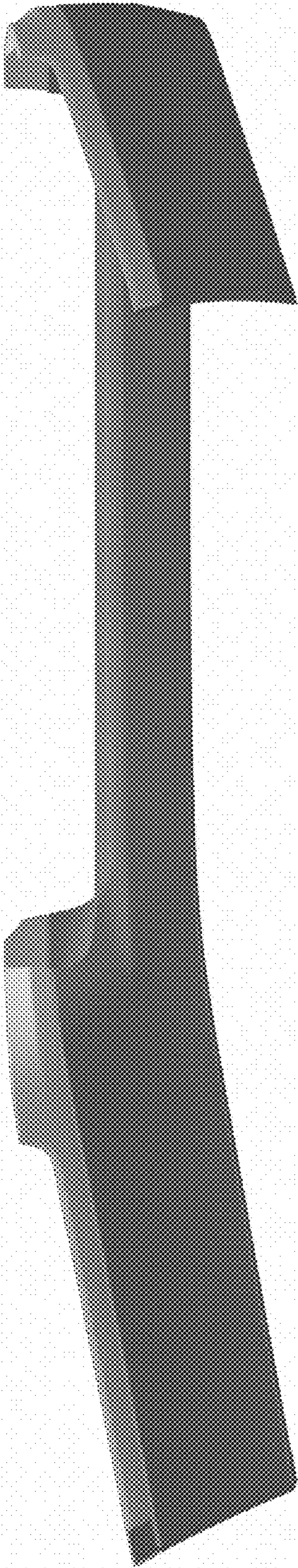


FIG. 3

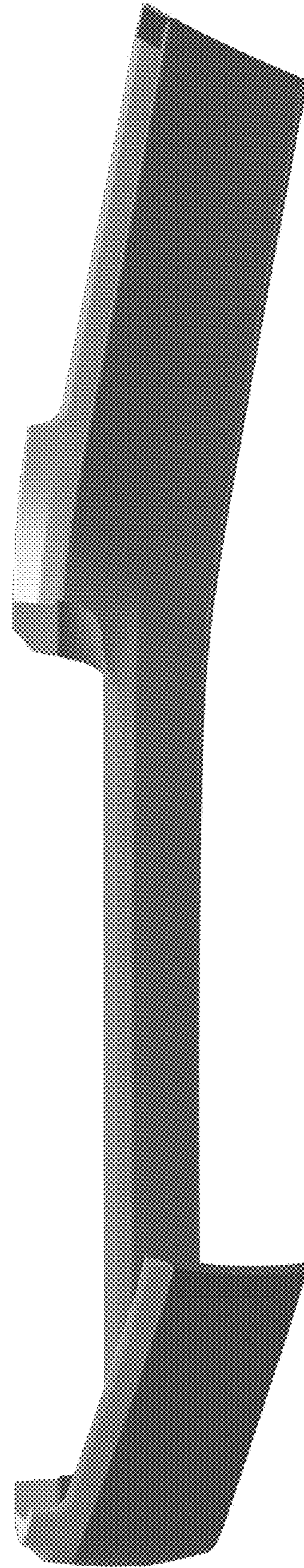


FIG. 4



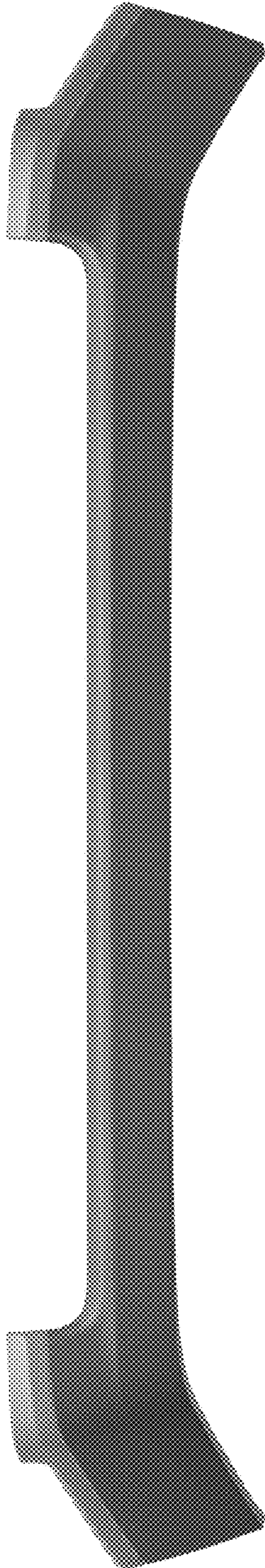


FIG. 5

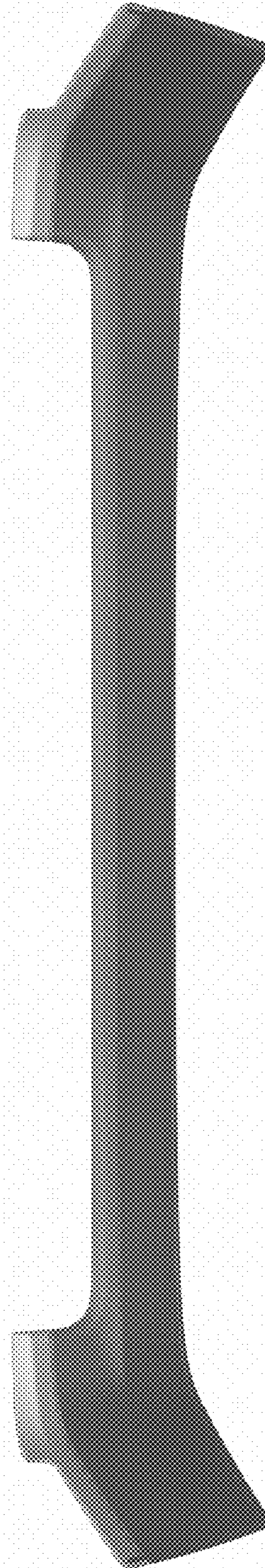


FIG. 6



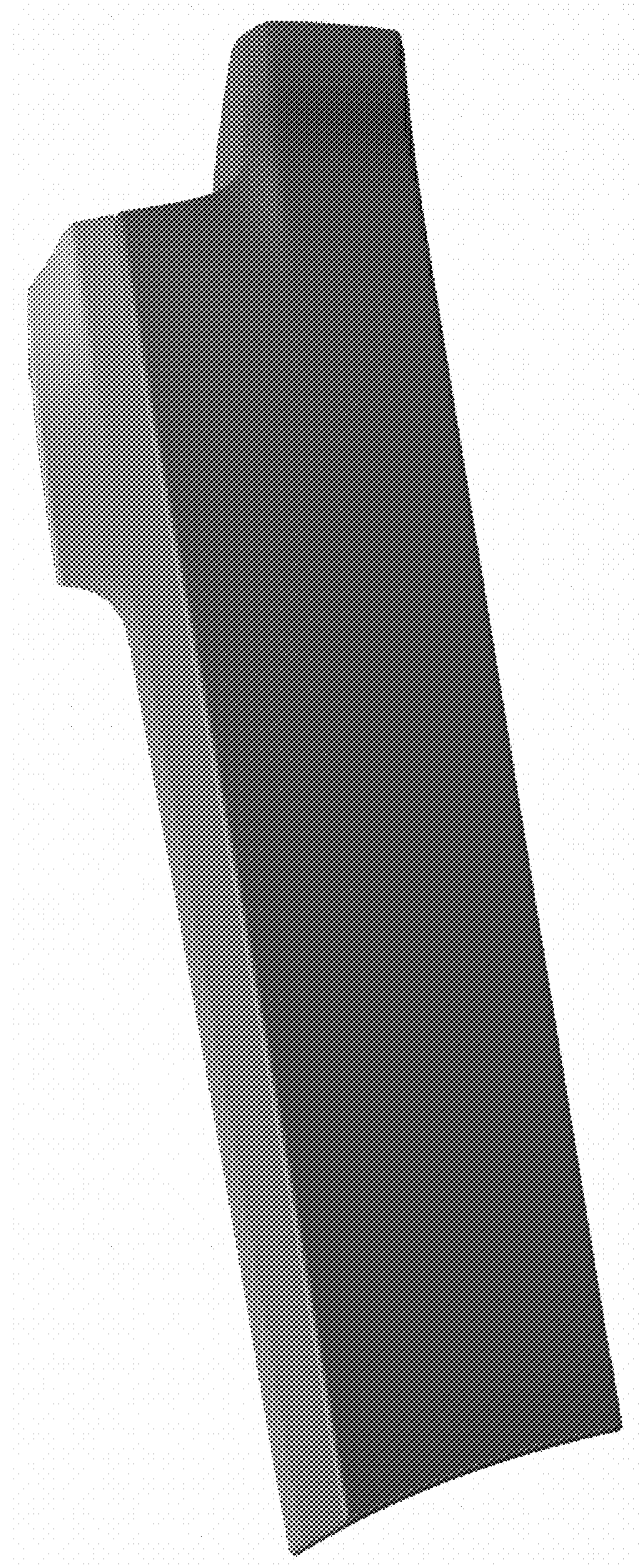


FIG. 7



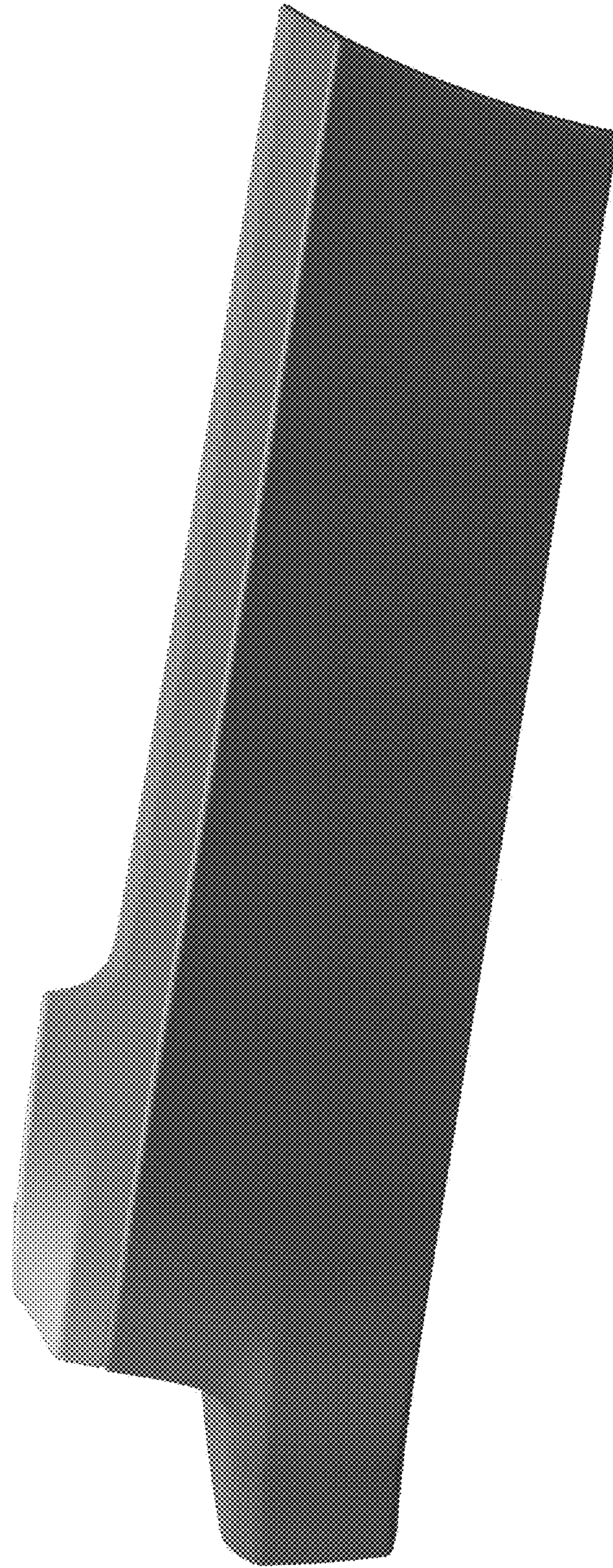


FIG. 8



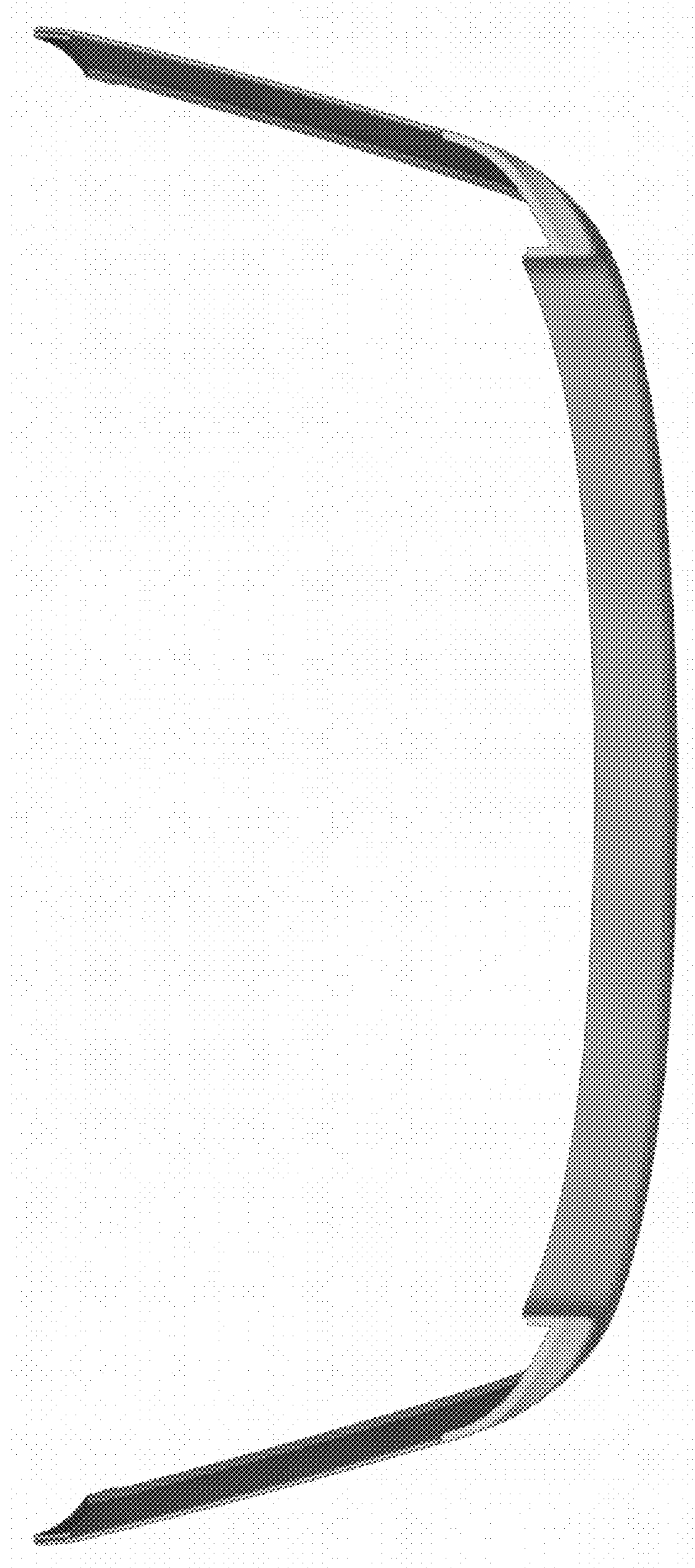


FIG. 9

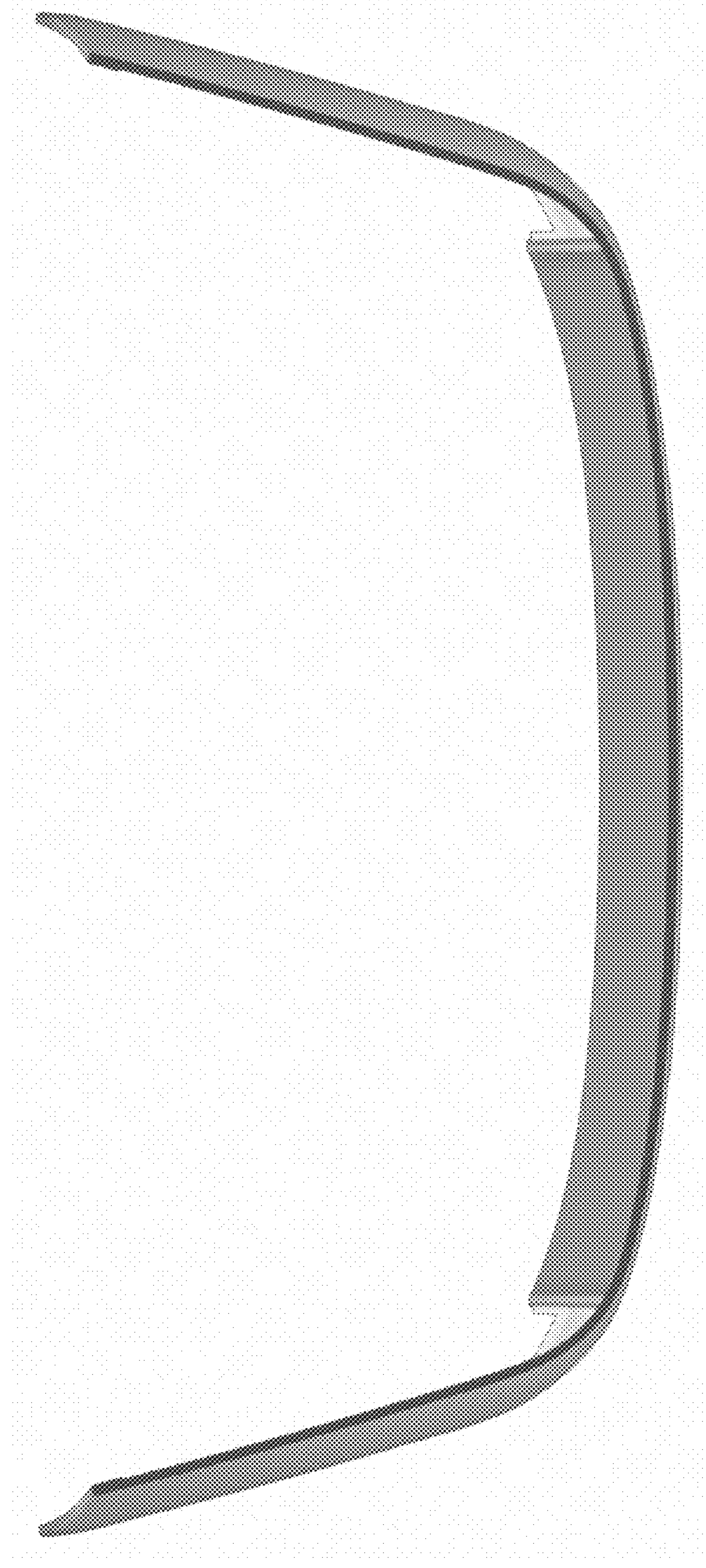


FIG. 10



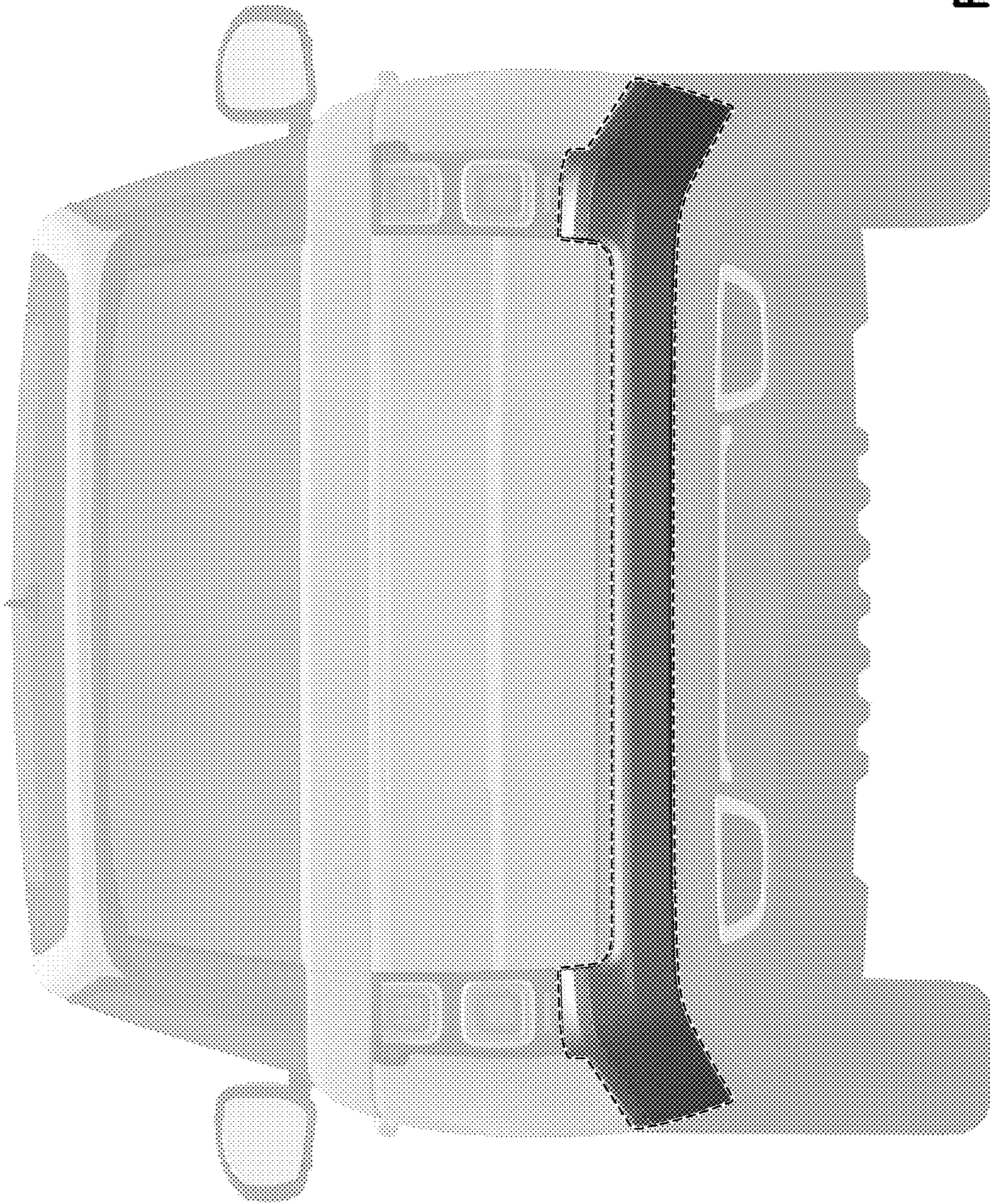


FIG. 11