



US00D844505S

(12) **United States Design Patent** (10) **Patent No.:** **US D844,505 S**
Woodhouse et al. (45) **Date of Patent:** **** *Apr. 2, 2019**

(54) **VEHICLE REAR LOWER BUMPER COVER**

(56) **References Cited**

(71) Applicant: **Ford Global Technologies, LLC**,
Dearborn, MI (US)
(72) Inventors: **David Woodhouse**, Troy, MI (US);
Earl Lucas, Southfield, MI (US);
Jaewoo Chang, Novi, MI (US);
Nonthawat Kongsari, Melbourne (AU)

U.S. PATENT DOCUMENTS

D518,414 S * 4/2006 Lo D12/92
D719,875 S * 12/2014 Jang D12/91
D793,302 S * 8/2017 Kozub D12/169
D797,619 S * 9/2017 Jung D12/169
D800,616 S * 10/2017 Jang D12/169

(73) Assignee: **Ford Global Technologies, LLC**,
Dearborn, MI (US)

OTHER PUBLICATIONS

<http://www.nydailynews.com/autos/latest-reviews/first-drive-2018-lincoln-navigator-review-article-1.3599101> Posted Oct. 30, 2017 (Year: 2017).*
<https://www.lincoln.com/luxury-suvs/navigator/gallery/> Retrieved Jan. 8, 2018 (Year: 2018).*

(*) Notice: This patent is subject to a terminal disclaimer.

* cited by examiner

(**) Term: **15 Years**

Primary Examiner — Leanne Was-Englehart

(21) Appl. No.: **29/597,071**

(74) *Attorney, Agent, or Firm* — James Dottavio

(22) Filed: **Mar. 14, 2017**

(57) **CLAIM**

The ornamental design for a vehicle rear lower bumper cover, as shown.

(51) **LOC (11) Cl.** **12-16**

DESCRIPTION

(52) **U.S. Cl.**

USPC **D12/169**

FIG. 1 is a top, front and left perspective view of a vehicle rear lower bumper cover, showing our new design; FIG. 2 is a bottom, front and left perspective view thereof; FIG. 3 is a top and rear perspective view thereof; FIG. 4 is a front elevational view thereof; FIG. 5 is a left side elevational view thereof; FIG. 6 is a right side elevational view thereof; FIG. 7 is a top plan view thereof; and, FIG. 8 is a bottom plan view thereof.

(58) **Field of Classification Search**

USPC D12/86, 90–92, 163, 169, 171, 196, 216;
293/102, 113, 115, 117, 120; 296/180.1,
296/180.2
CPC B60R 19/02; B60R 19/04; B60R 19/18;
B60R 19/24; B60R 19/44; B60R 19/48;
B60R 19/52; B60R 19/56; B60R 19/023;
B60R 2019/527; B60R 2019/1886

See application file for complete search history.

1 Claim, 8 Drawing Sheets





Figure 1

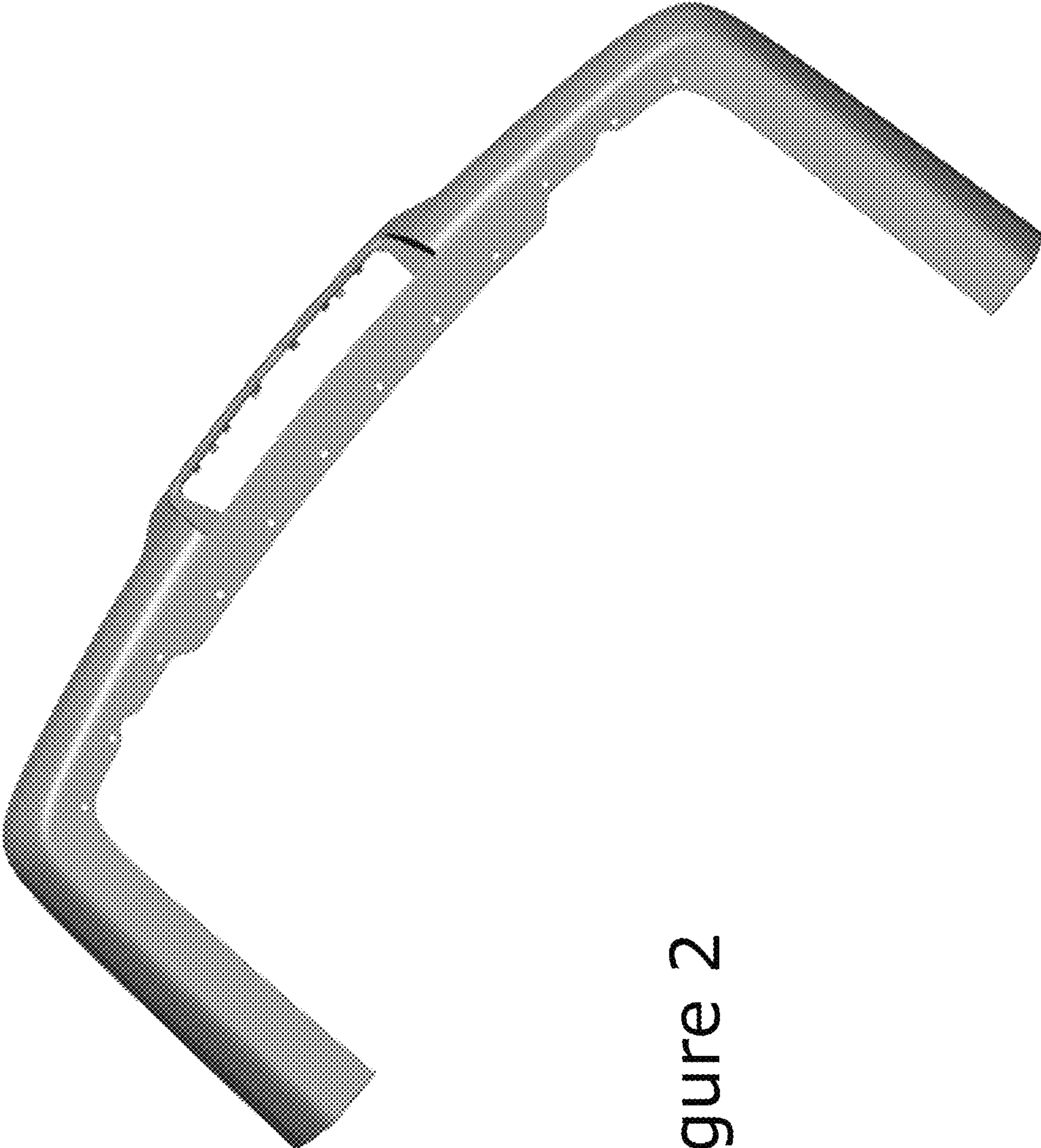


Figure 2

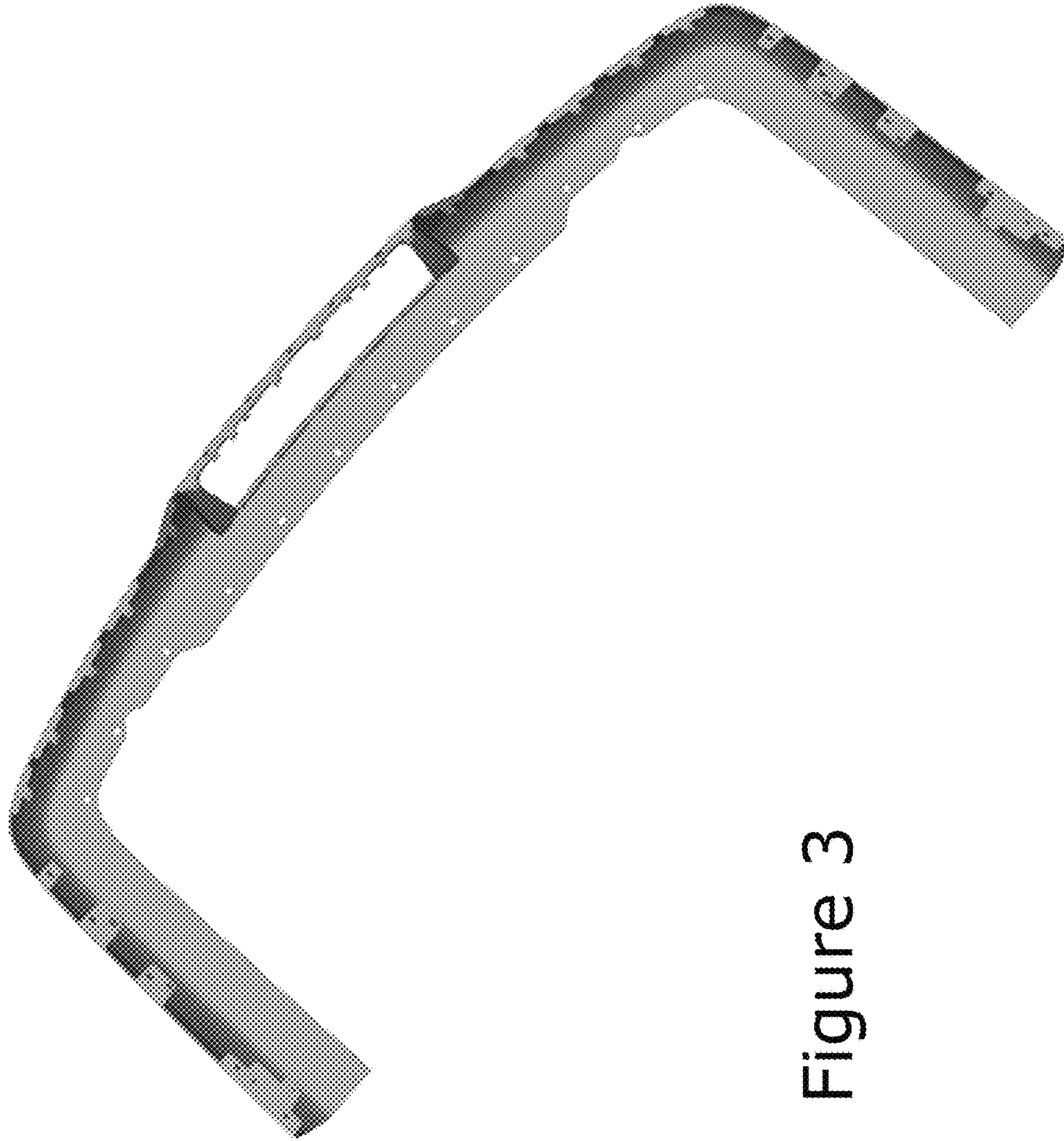


Figure 3

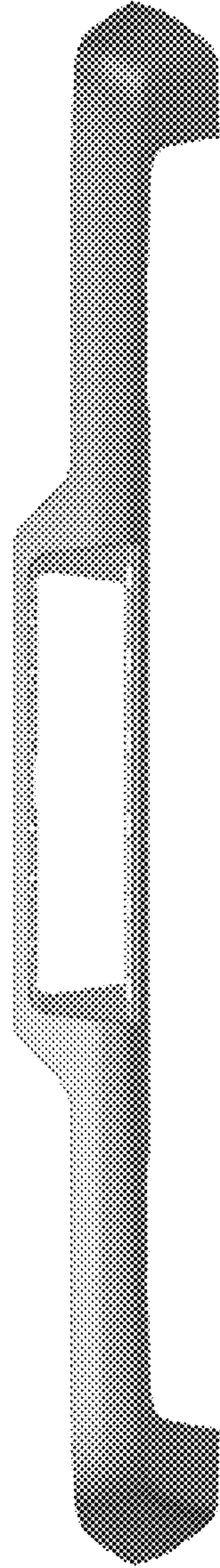


Figure 4

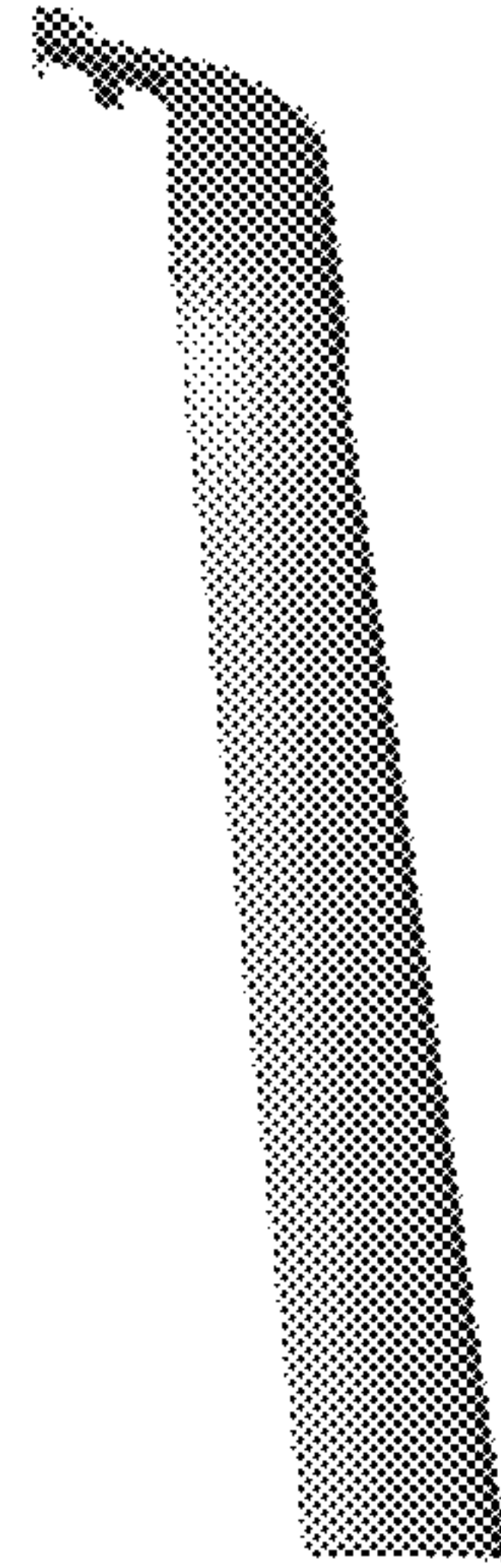


Figure 5

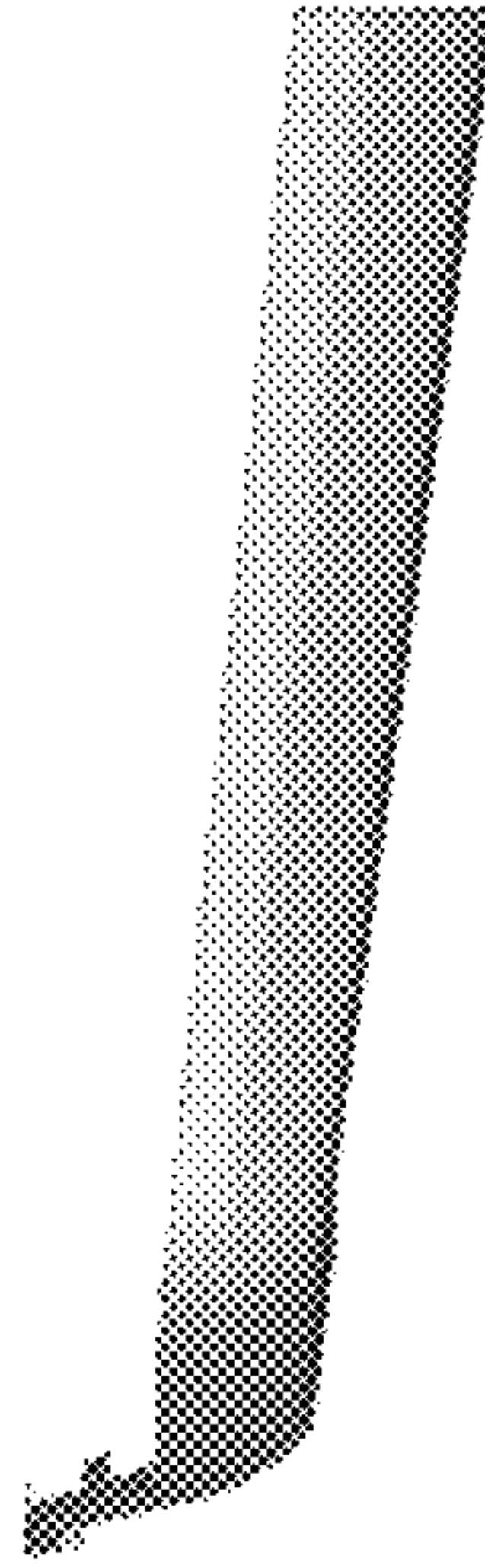


Figure 6

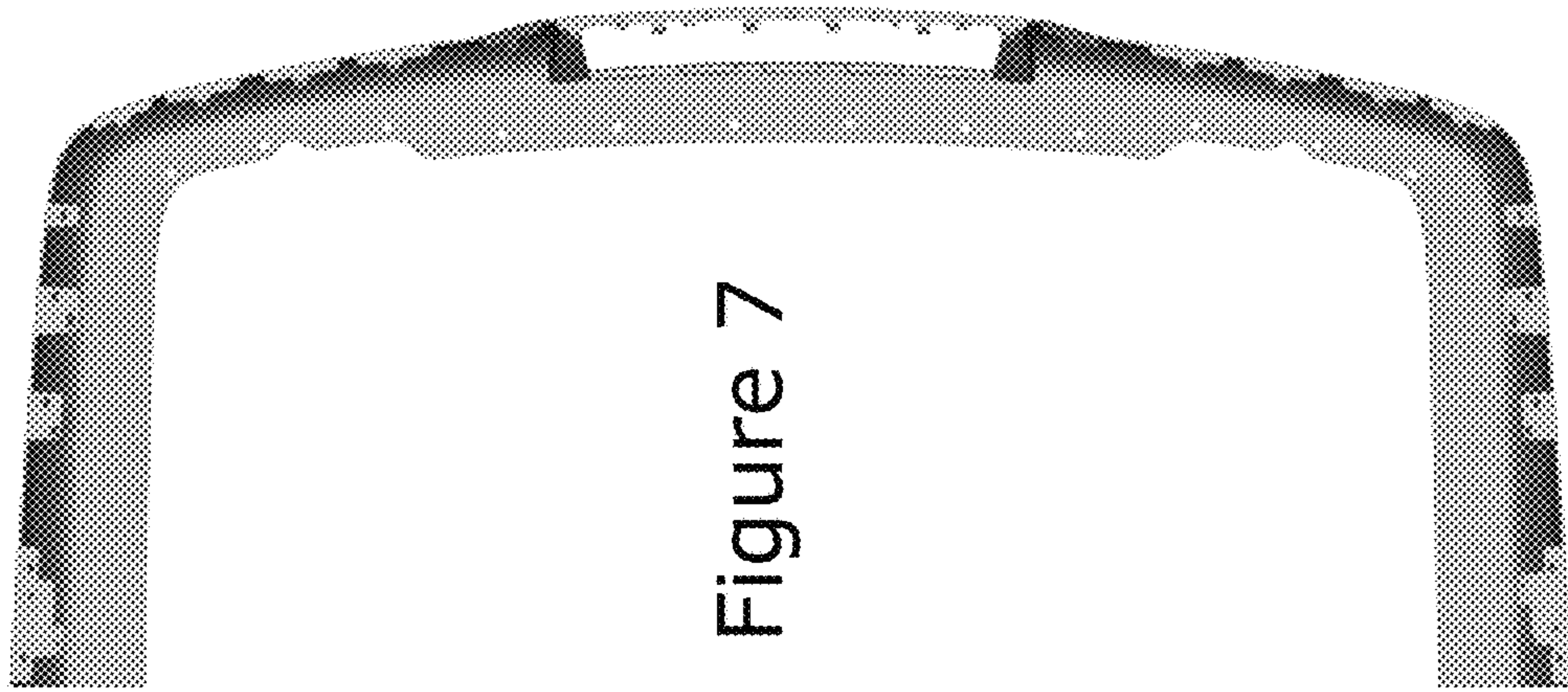


Figure 7

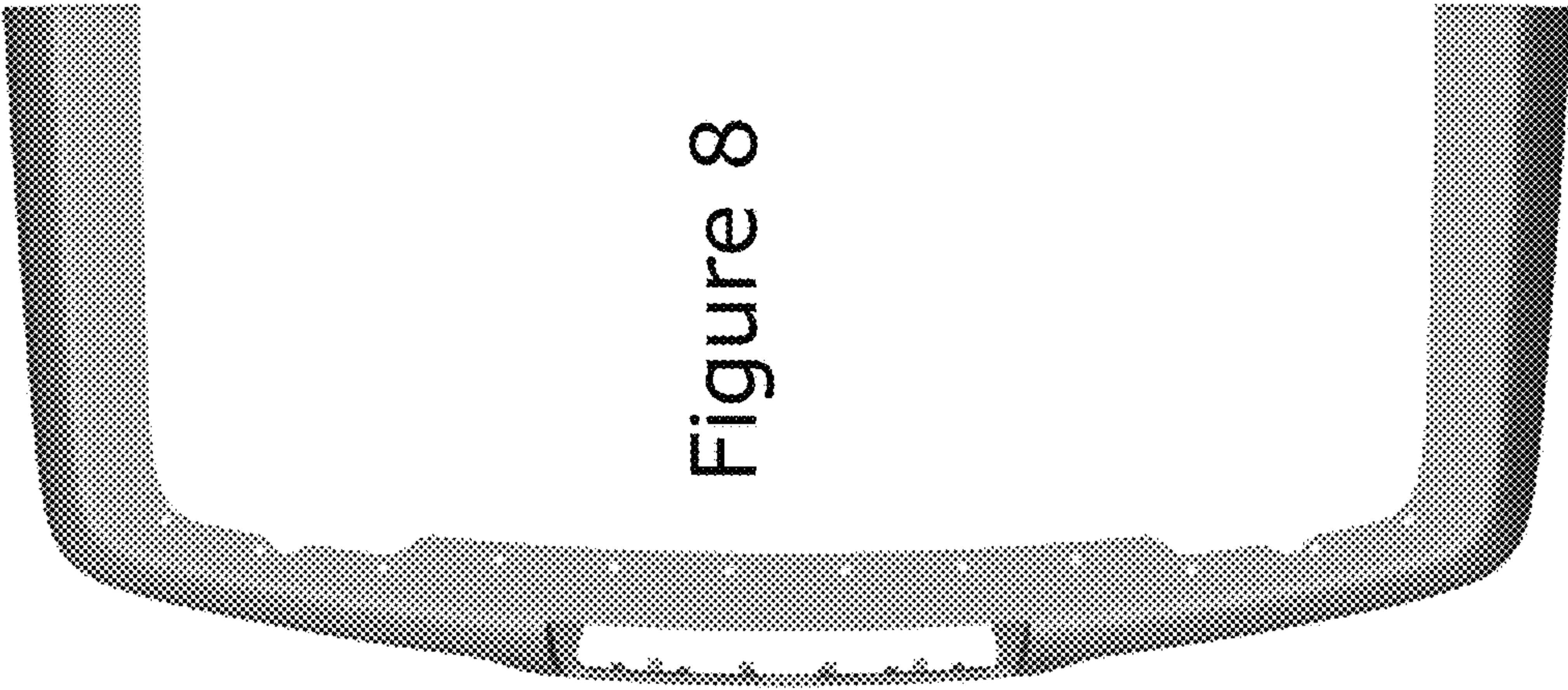


Figure 8