



US00D844503S

(12) **United States Design Patent**
Sato

(10) **Patent No.:** **US D844,503 S**
(45) **Date of Patent:** **** Apr. 2, 2019**

(54) **FRONT GRILL FOR AN AUTOMOBILE**

(71) Applicant: **HONDA MOTOR CO., LTD.**, Tokyo
(JP)

(72) Inventor: **Junnosuke Sato**, Wako (JP)

(73) Assignee: **HONDA MOTOR CO., LTD.**, Tokyo
(JP)

(**) Term: **15 Years**

(21) Appl. No.: **29/631,244**

(22) Filed: **Dec. 28, 2017**

(30) **Foreign Application Priority Data**

Jun. 30, 2017 (JP) 2017-014205

(51) **LOC (11) Cl.** **12-16**

(52) **U.S. Cl.**
USPC **D12/163**

(58) **Field of Classification Search**
USPC D12/86, 90-92, 98, 163, 169, 196, 216
CPC .. B60R 19/52; B60R 2019/525; B60K 11/085
See application file for complete search history.

(56) **References Cited**

U.S. PATENT DOCUMENTS

D702,601 S * 4/2014 Wada D12/163
D775,553 S * 1/2017 Ishii D12/163

D797,013 S * 9/2017 Sahara D12/163
D797,014 S * 9/2017 Park D12/163
D822,545 S * 7/2018 Sahara D12/163
D824,813 S * 8/2018 Miyazawa D12/163
D831,545 S * 10/2018 Smock D12/163

OTHER PUBLICATIONS

<https://automobiles.honda.com/insight> Retrieved Nov. 7, 2018 (Year: 2018).*

* cited by examiner

Primary Examiner — Leanne Was-Englehart
(74) *Attorney, Agent, or Firm* — Westerman, Hattori,
Daniels & Adrian, LLP

(57) **CLAIM**

The ornamental design for a front grill for an automobile, as shown and described.

DESCRIPTION

FIG. 1 is a perspective view of a front grill for an automobile;
FIG. 2 is a front elevation view thereof;
FIG. 3 is a top plan view thereof, and,
FIG. 4 is a right side view thereof.
The broken lines in the drawings illustrate portions of the front grill for an automobile that are environmental structures and form no part of the claimed design.

1 Claim, 4 Drawing Sheets

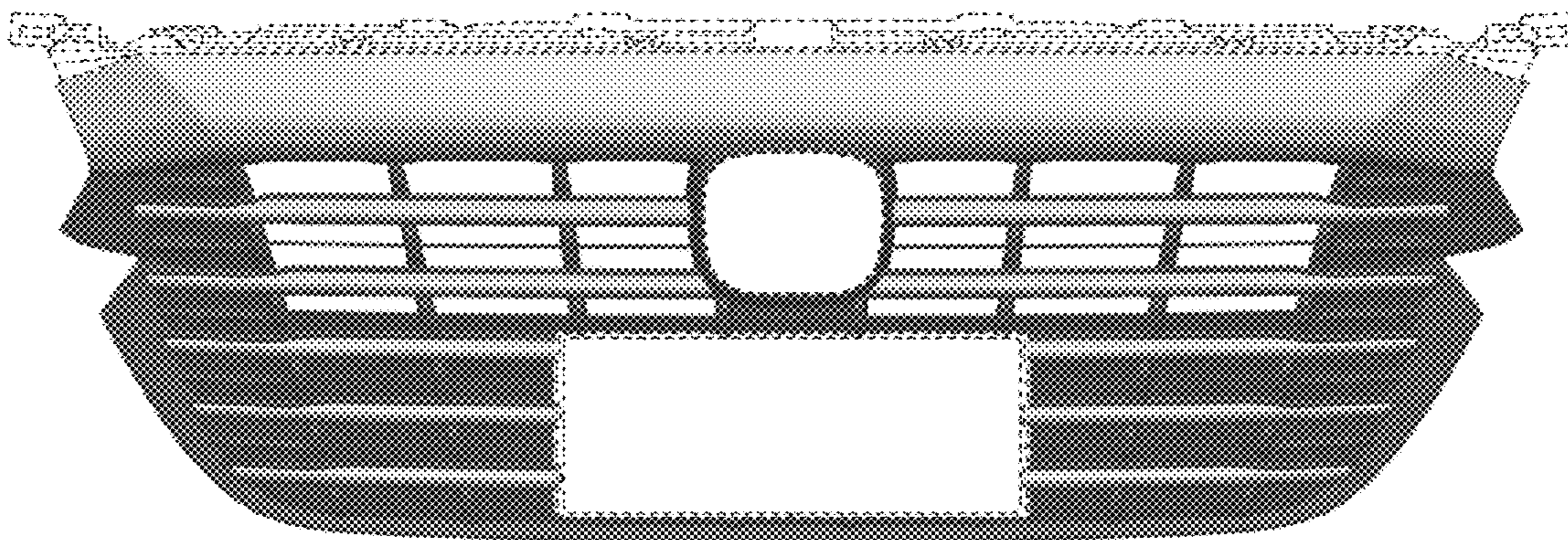


Fig. 1

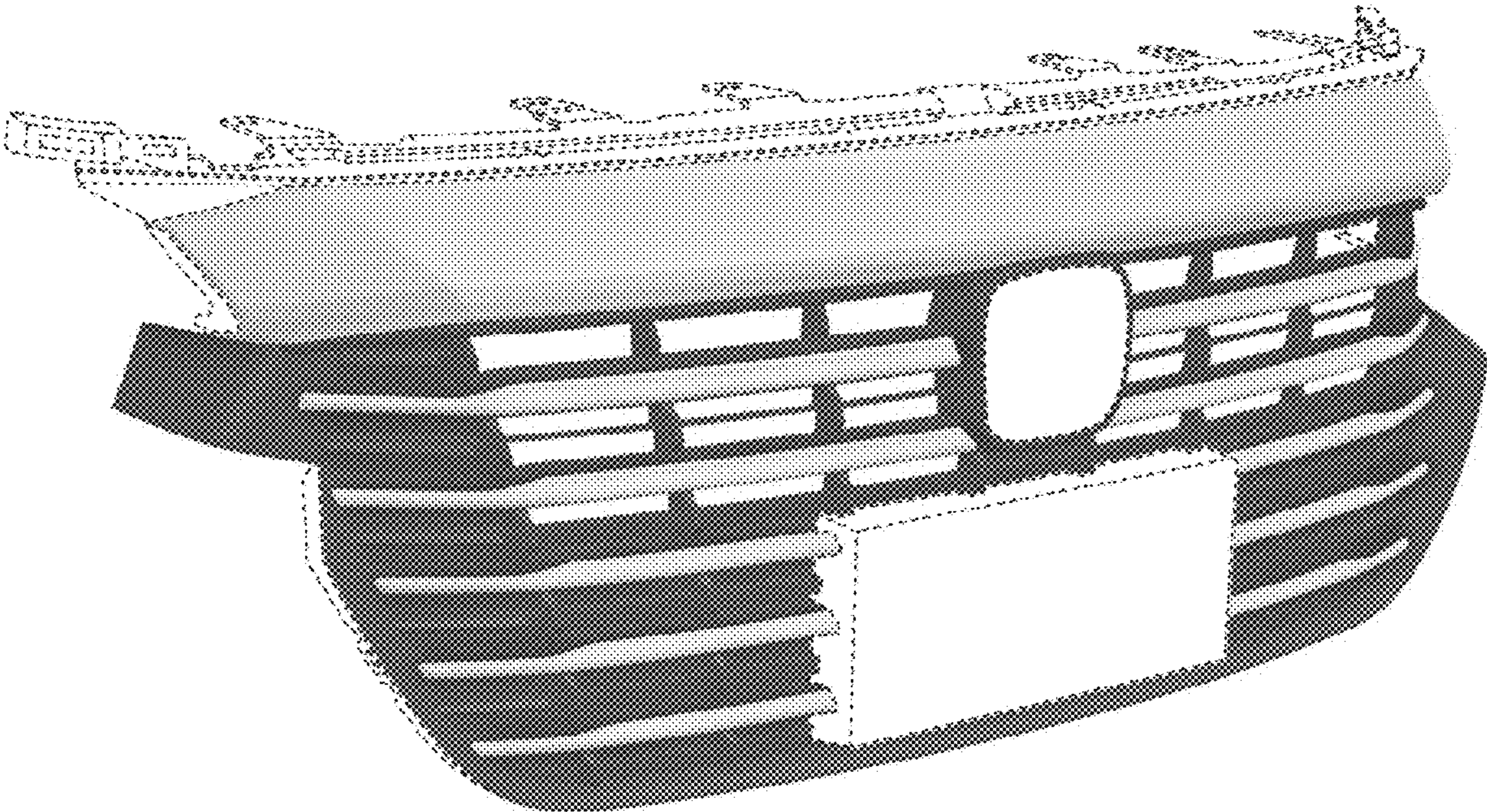


Fig.2

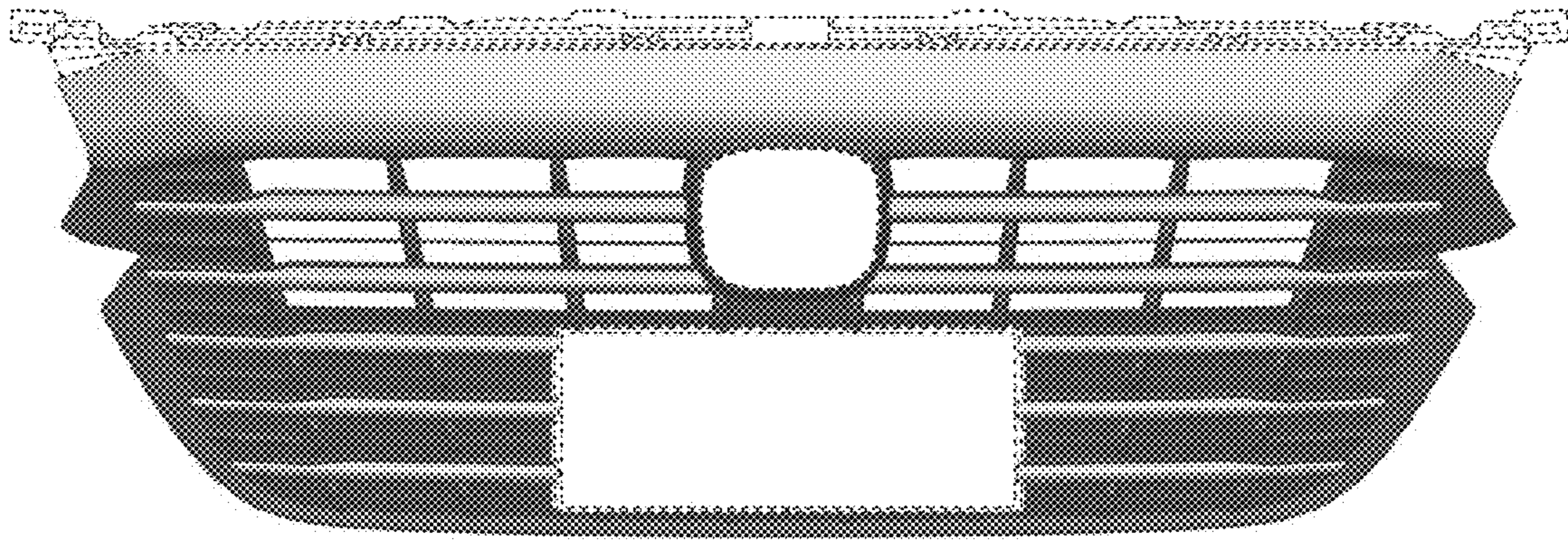


Fig.3

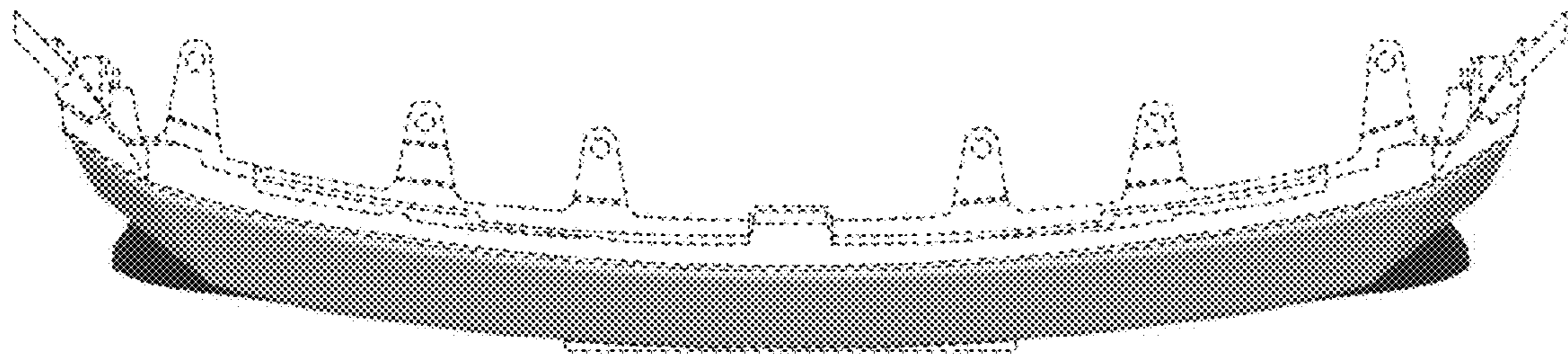


Fig.4

