



US00D844498S

(12) **United States Design Patent** (10) **Patent No.:** **US D844,498 S**  
**Metros et al.** (45) **Date of Patent:** **\*\* Apr. 2, 2019**

(54) **VEHICLE FRONT UPPER GRILLE**  
(71) Applicant: **Ford Global Technologies, LLC**,  
Dearborn, MI (US)  
(72) Inventors: **Craig S. Metros**, Bloomfield, MI (US);  
**George Bucher**, Dearborn, MI (US);  
**Christopher G. Walter**, Walled Lake,  
MI (US); **Andrew Bazinski**,  
Amherstburg (CA)  
(73) Assignee: **Ford Global Technologies, LLC**,  
Dearborn, MI (US)  
(\*\*) Term: **15 Years**  
(21) Appl. No.: **29/621,065**  
(22) Filed: **Oct. 4, 2017**  
(51) **LOC (11) Cl.** ..... **12-16**  
(52) **U.S. Cl.**  
USPC ..... **D12/163**  
(58) **Field of Classification Search**  
USPC ..... D12/86, 90-92, 98, 163, 169, 196, 216  
CPC ..... B62D 25/08; B62B 9/16; B60K 11/08;  
B60R 19/50; B60R 19/52  
See application file for complete search history.

(56) **References Cited**  
U.S. PATENT DOCUMENTS  
D678,140 S \* 3/2013 Hamilton ..... D12/169  
D680,920 S \* 4/2013 Jara ..... D12/163  
D685,689 S \* 7/2013 Svensson ..... D12/163  
D696,607 S \* 12/2013 Campbell ..... D12/91  
D783,466 S \* 4/2017 Svensson ..... D12/163

D809,438 S \* 2/2018 Takamatsu ..... D12/163  
D811,953 S \* 3/2018 Seol ..... D12/163  
D816,552 S \* 5/2018 Bucher ..... D12/91  
D817,233 S \* 5/2018 Bucher ..... D12/163  
D826,800 S \* 8/2018 Gueler ..... D12/163  
D832,146 S \* 10/2018 Metros ..... D12/91

**OTHER PUBLICATIONS**

<https://www.trucks.com/2017/09/19/spy-shots-ford-transit-connect-van/> Sep. 19, 2017 (Year: 2017).\*  
<https://www.ford.com/trucks/transit-connect-passenger-van-wagon/gallery/> Retrieved Nov. 6, 2018 (Year: 2018).\*

\* cited by examiner

*Primary Examiner* — Leanne Was-Englehart  
(74) *Attorney, Agent, or Firm* — James Dottavio

(57) **CLAIM**  
The ornamental design for a vehicle front upper grille, as shown.

**DESCRIPTION**

FIG. 1 is a top, front, and left side perspective view of a vehicle front upper grille, showing our new design;  
FIG. 2 is a bottom, front, and left side perspective view thereof;  
FIG. 3 is a top, rear, and left side perspective view thereof;  
FIG. 4 is a front elevational view thereof;  
FIG. 5 is a rear elevational view thereof;  
FIG. 6 is a left side elevational view thereof;  
FIG. 7 is a right side elevational view thereof;  
FIG. 8 is a top plan view thereof; and,  
FIG. 9 is a bottom plan view thereof.

**1 Claim, 9 Drawing Sheets**

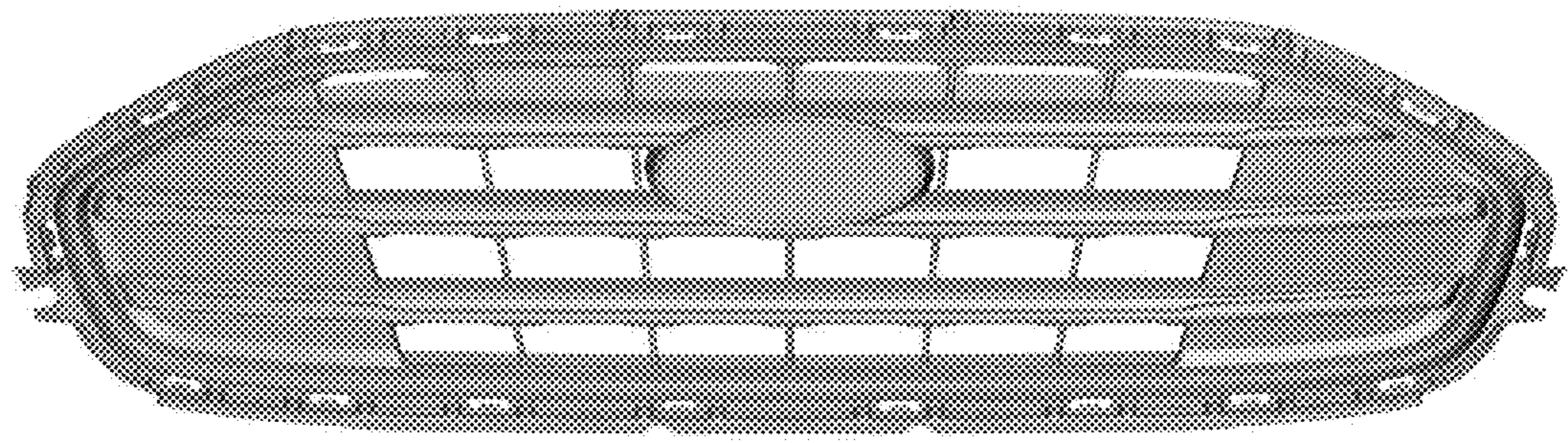
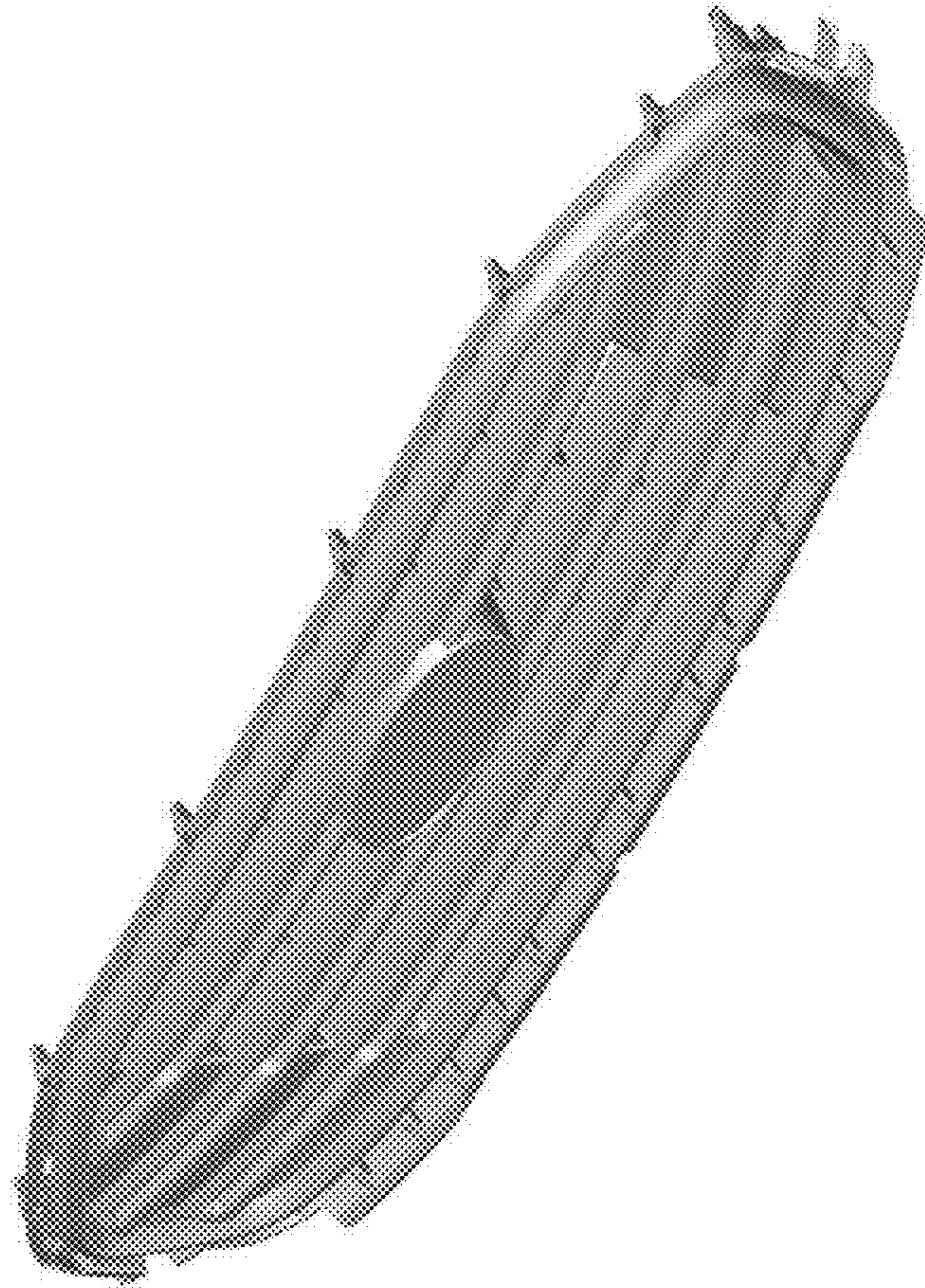


Figure 1





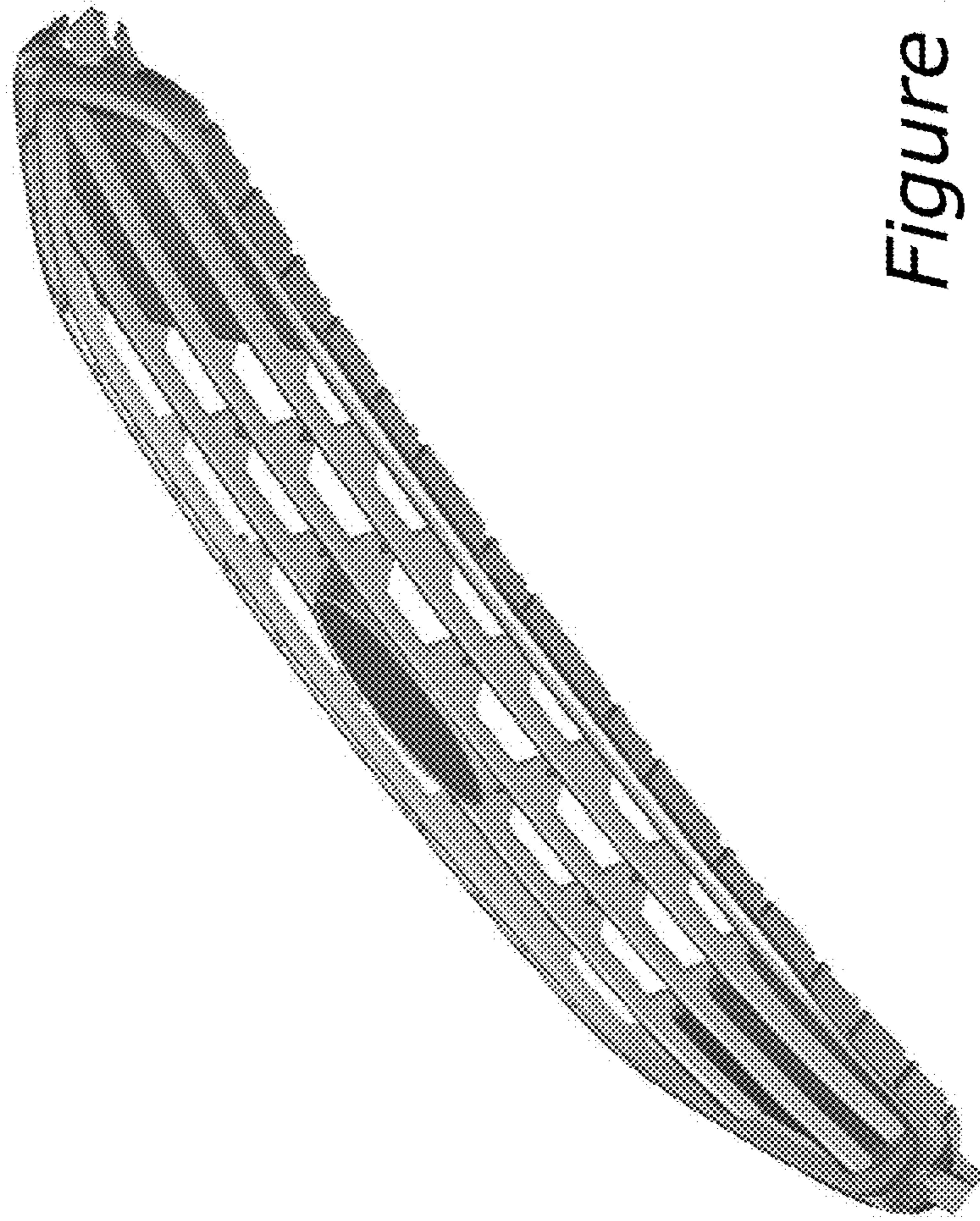


Figure 2

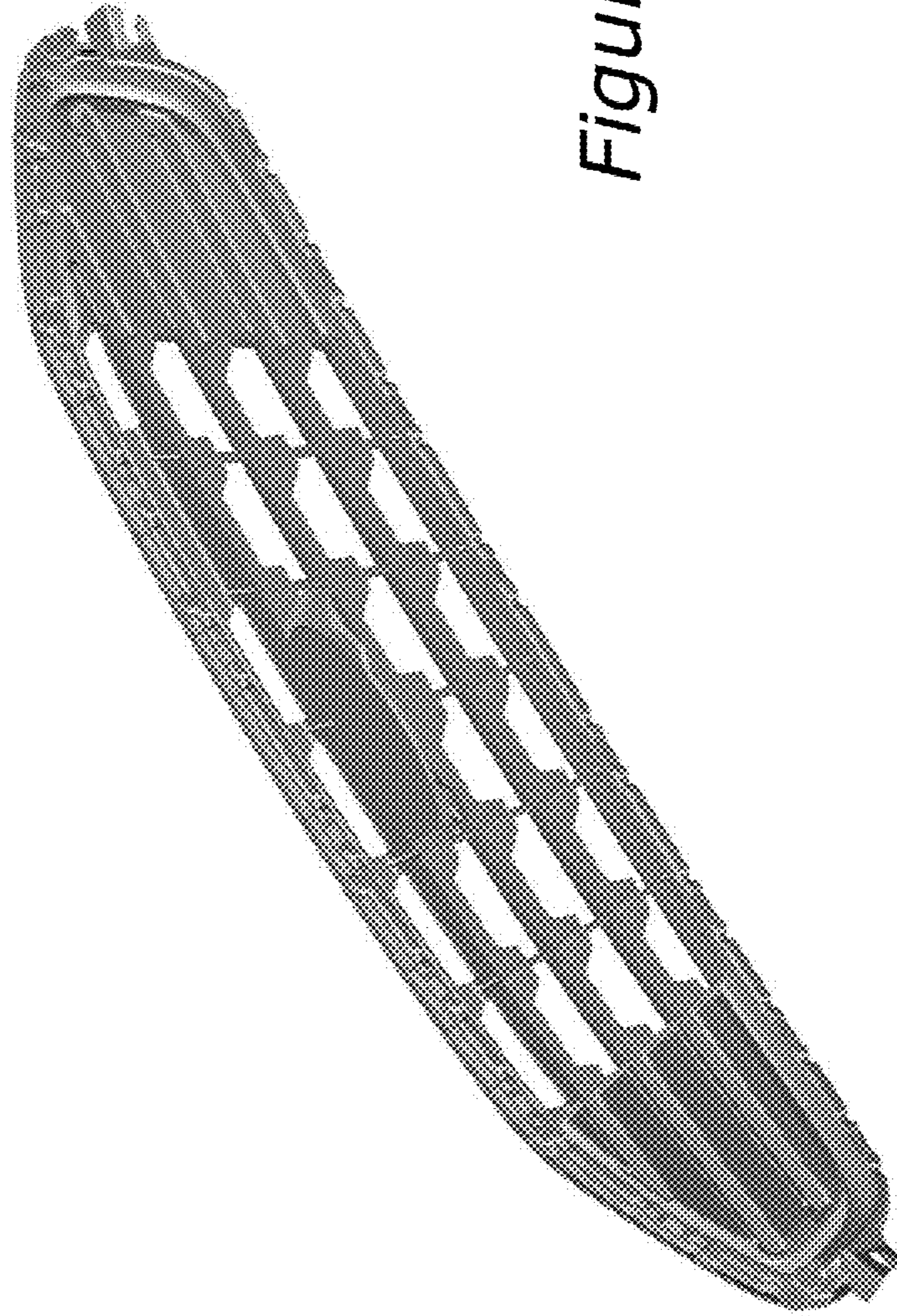


Figure 3



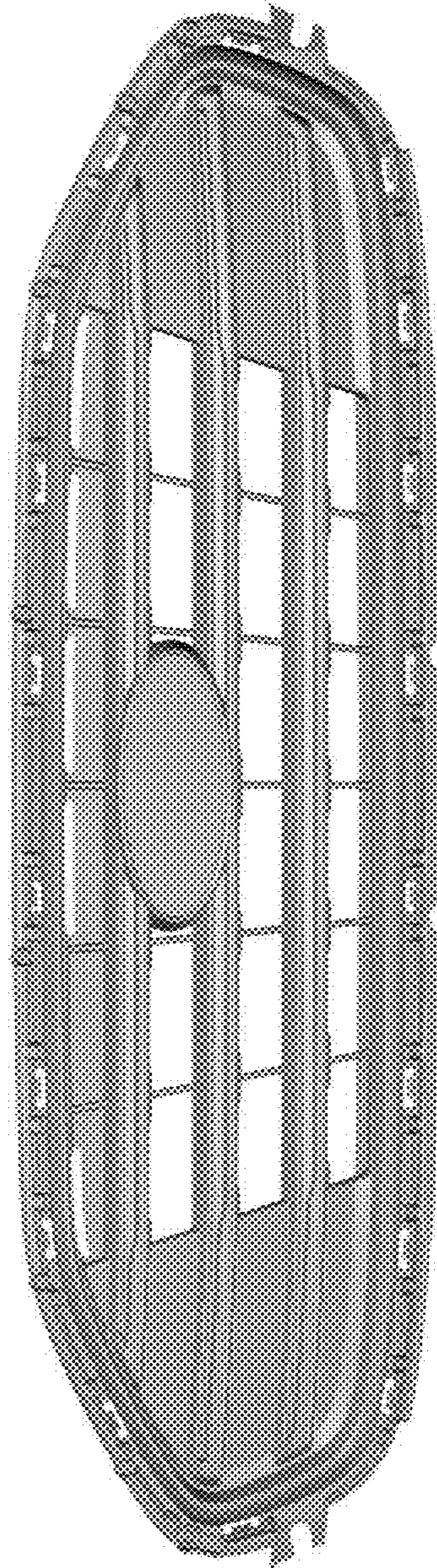


Figure 4

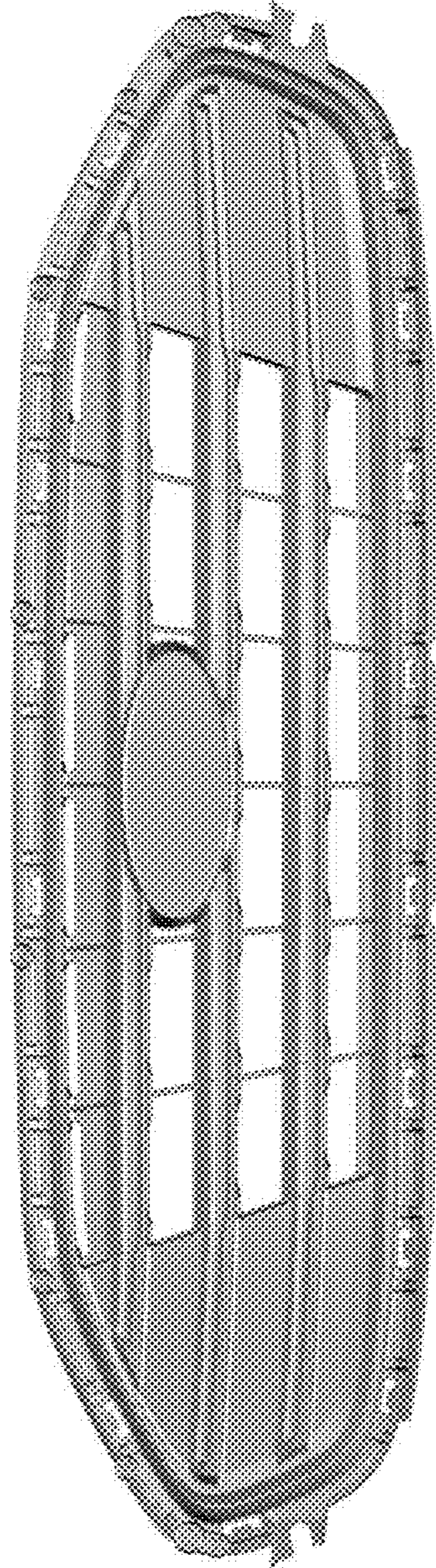


Figure 5

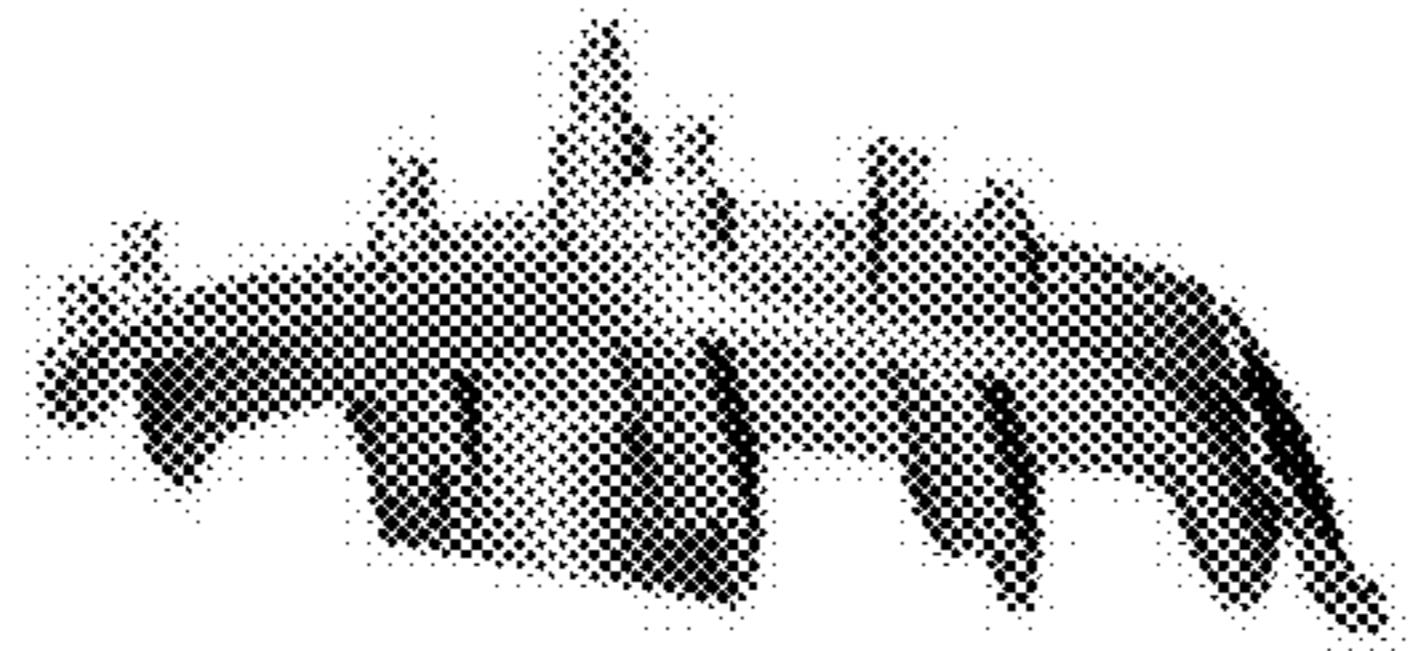


Figure 6



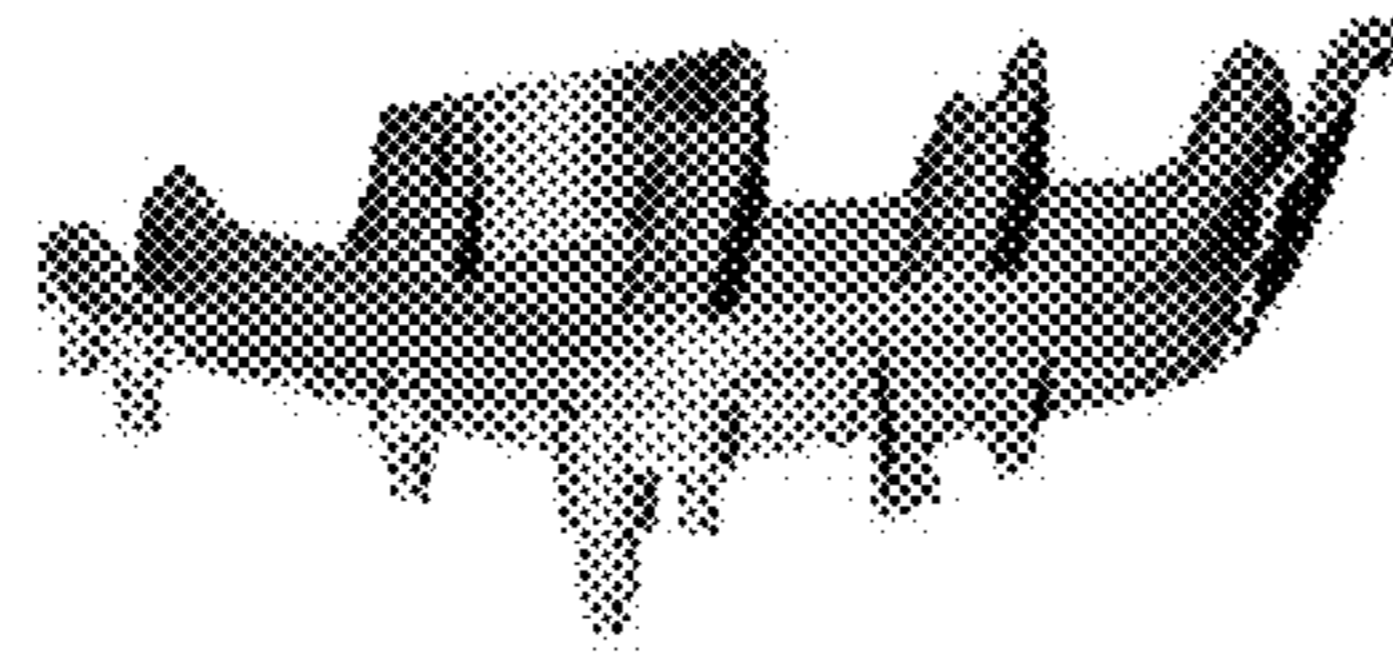


Figure 7



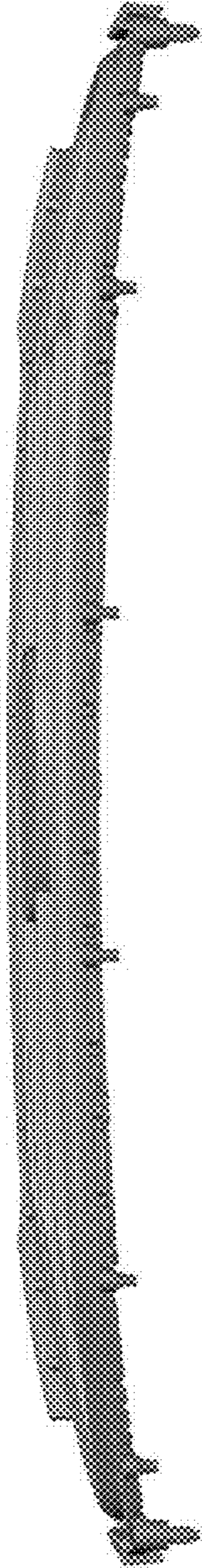


Figure 8

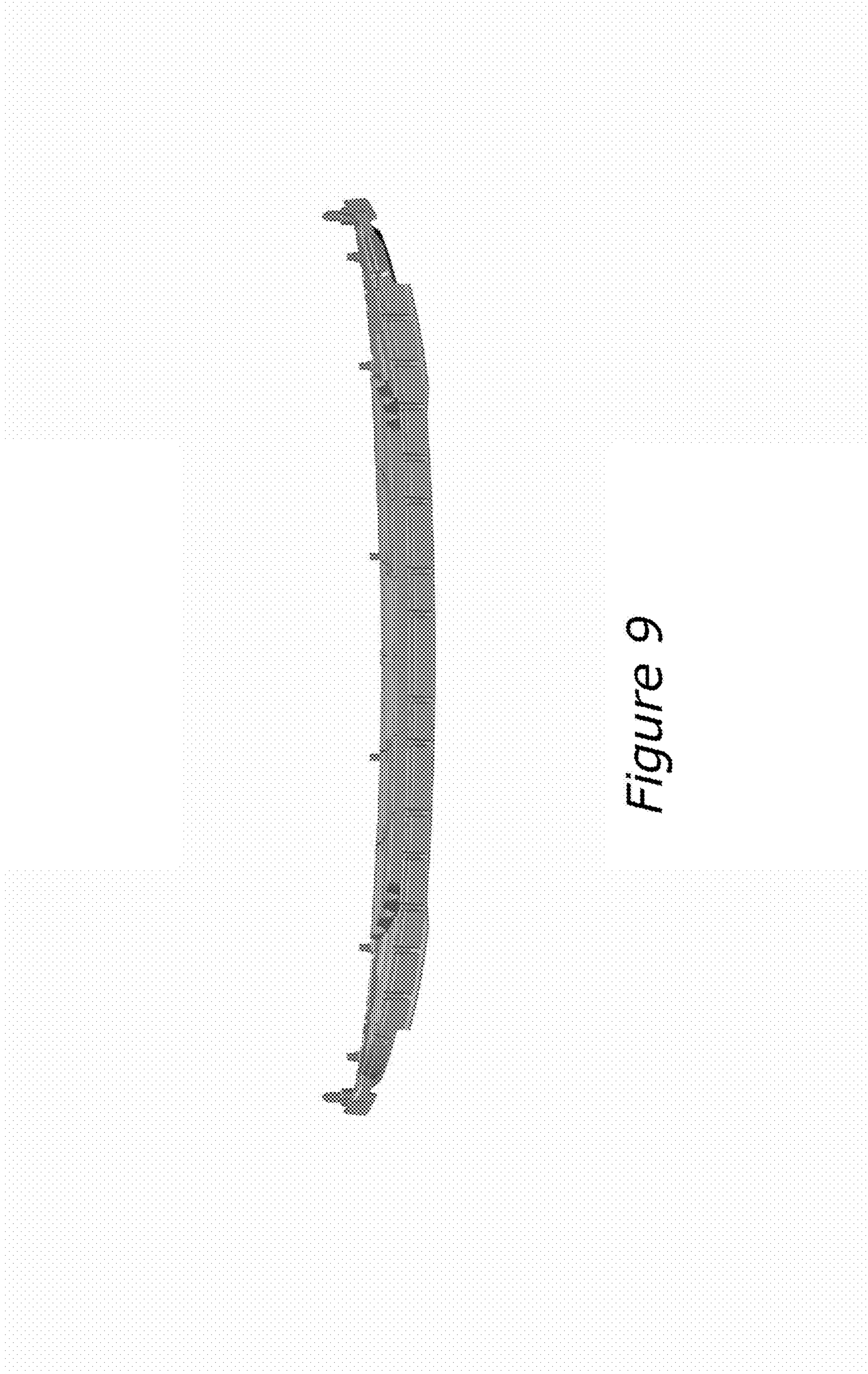


Figure 9