



US00D844496S

(12) **United States Design Patent**
Hodges et al.

(10) **Patent No.:** **US D844,496 S**

(45) **Date of Patent:** **** Apr. 2, 2019**

(54) **VEHICLE GRILLE**
(71) Applicant: **Pilot, Inc.**, City of Industry, CA (US)

D822,549 S * 7/2018 Platto D12/163
D823,180 S * 7/2018 Platto D12/163
D823,181 S * 7/2018 Bucher D12/163

(72) Inventors: **Frank Hodges**, Corona, CA (US); **Judi McLean**, Whitmore Lake, MI (US); **Kelleigh Ash**, City of Industry, CA (US)

OTHER PUBLICATIONS

U.S. Appl. No. 29/602,140, filed Apr. 28, 2017, McLean et al.
U.S. Appl. No. 29/602,143, filed Apr. 28, 2017, Ash et al.

(73) Assignee: **Pilot, Inc.**, City of Industry, CA (US)

* cited by examiner

(**) Term: **15 Years**

Primary Examiner — Robin V Webster
Assistant Examiner — Rachel A Voorhies

(21) Appl. No.: **29/602,148**

(74) *Attorney, Agent, or Firm* — Sheridan Ross P.C.

(22) Filed: **Apr. 28, 2017**

(51) **LOC (11) Cl.** **12-16**
(52) **U.S. Cl.**

(57) **CLAIM**

USPC **D12/163**
(58) **Field of Classification Search**
USPC D12/86, 88, 90–92, 163, 169, 173, 196
CPC B62B 9/16; B60K 11/08; B60R 19/52
See application file for complete search history.

The ornamental design for a vehicle grille, as shown and described.

DESCRIPTION

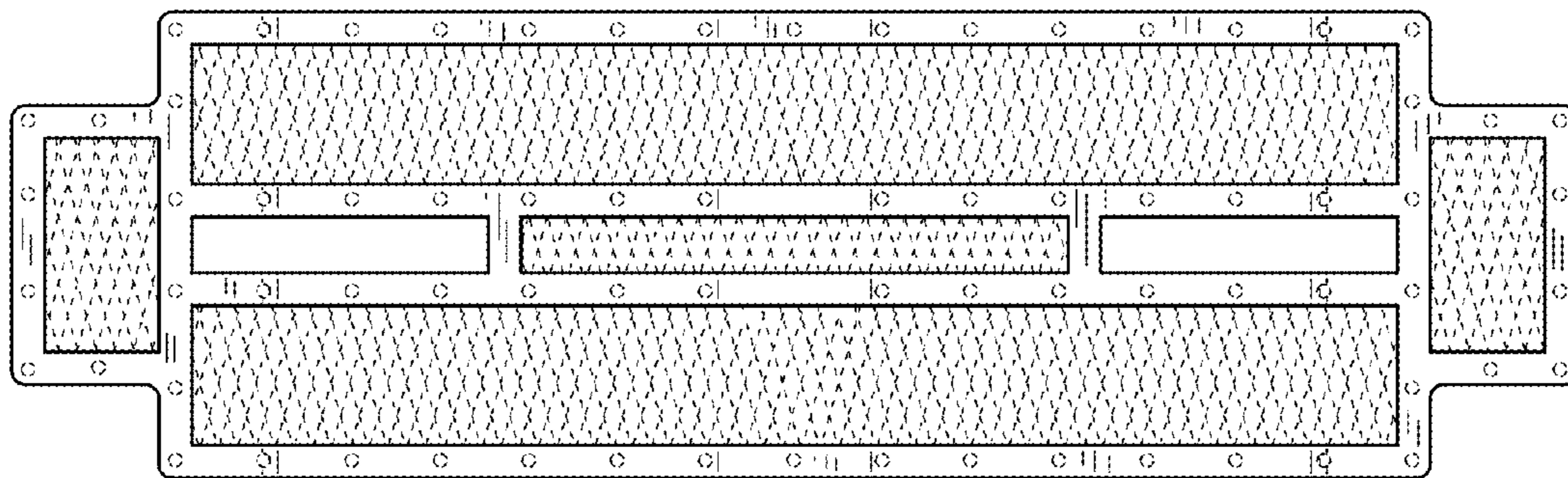
(56) **References Cited**

U.S. PATENT DOCUMENTS

5,636,885 A * 6/1997 Hummel B60D 1/54
280/479.2
D508,445 S * 8/2005 Hall D12/163
7,059,031 B1 * 6/2006 Elwell B60R 13/00
180/68.6
D560,567 S * 1/2008 Tant D12/163
D631,404 S * 1/2011 Hodges D12/163
D640,176 S * 6/2011 Hodges D12/163
D649,918 S * 12/2011 Hodges D12/163
D662,446 S * 6/2012 Hodges D12/163
D682,163 S * 5/2013 Hodges D12/163
D743,861 S * 11/2015 Hodges D12/181
D775,001 S * 12/2016 Platto D12/163
D805,967 S * 12/2017 Platto B60R 13/00
D12/163
D811,282 S * 2/2018 Platto B60D 1/54
D12/163
D811,283 S * 2/2018 Platto D12/163

FIG. 1 is a perspective view of a vehicle grille with an optional ornamental attachment showing our new design; FIG. 2 is a top plan view thereof; FIG. 3 is a front elevational view thereof; FIG. 4 is a right side elevational view thereof, the left side elevational view being mirror symmetrical; FIG. 5 is a perspective view of the vehicle grille without the optional ornamental attachment; FIG. 6 is a top plan view of the vehicle grille of FIG. 5; FIG. 7 is a front elevational view of the vehicle grille of FIG. 5; and, FIG. 8 is a right side elevational view of the vehicle grille of FIG. 5, the left side elevational view being mirror symmetrical. The broken lines show portions of the vehicle grille which form no part of the claimed design.

1 Claim, 4 Drawing Sheets



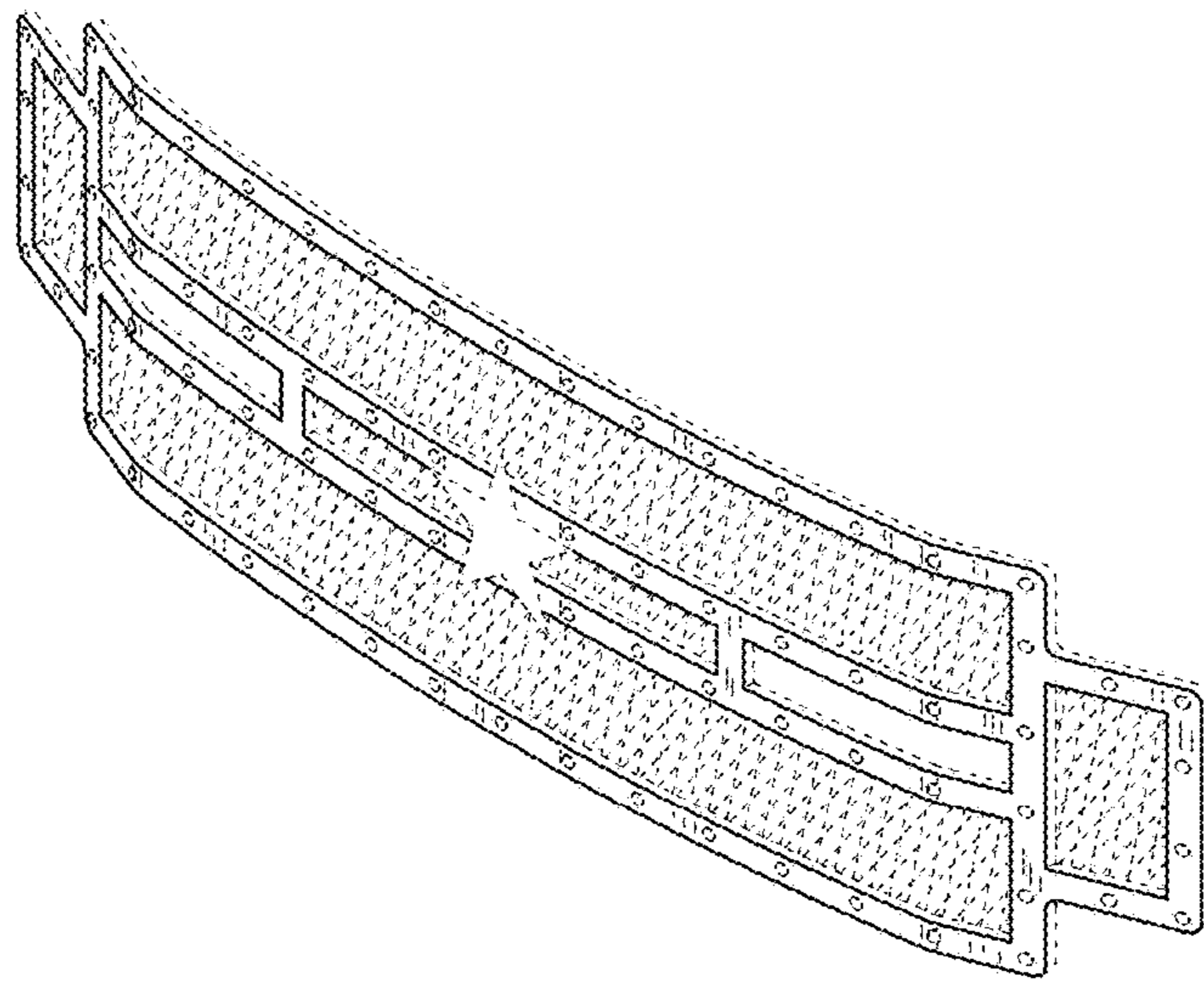


FIG.1



FIG. 2

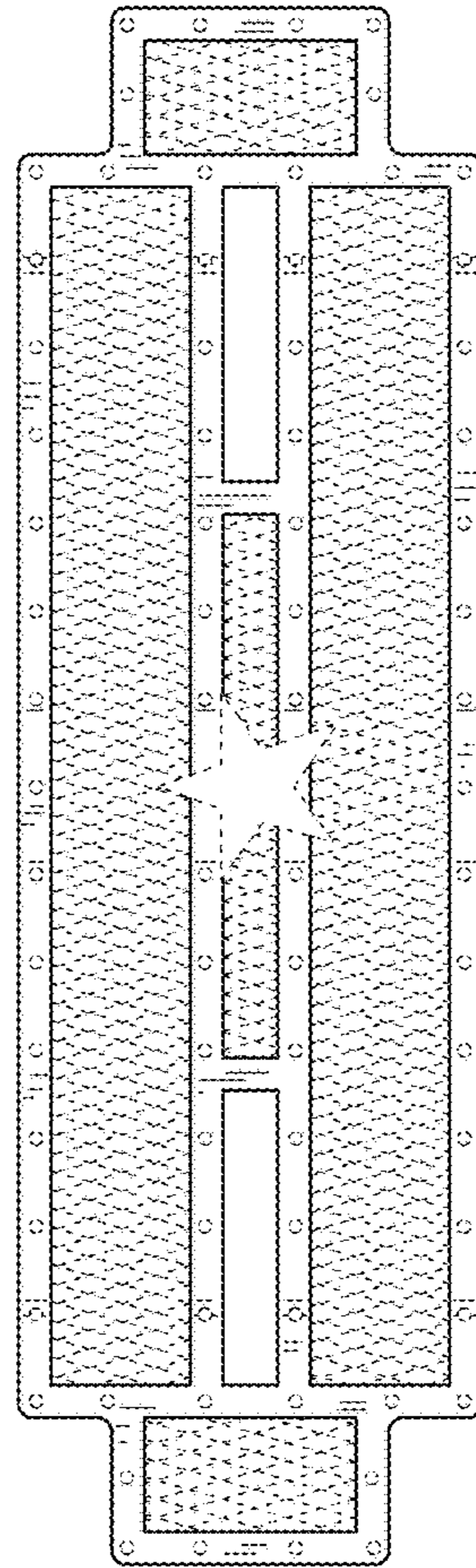


FIG. 3

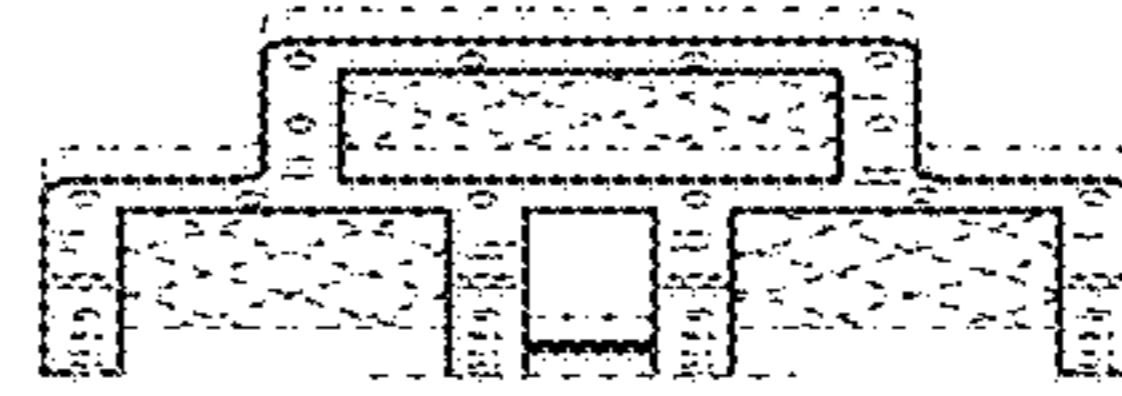


FIG. 4

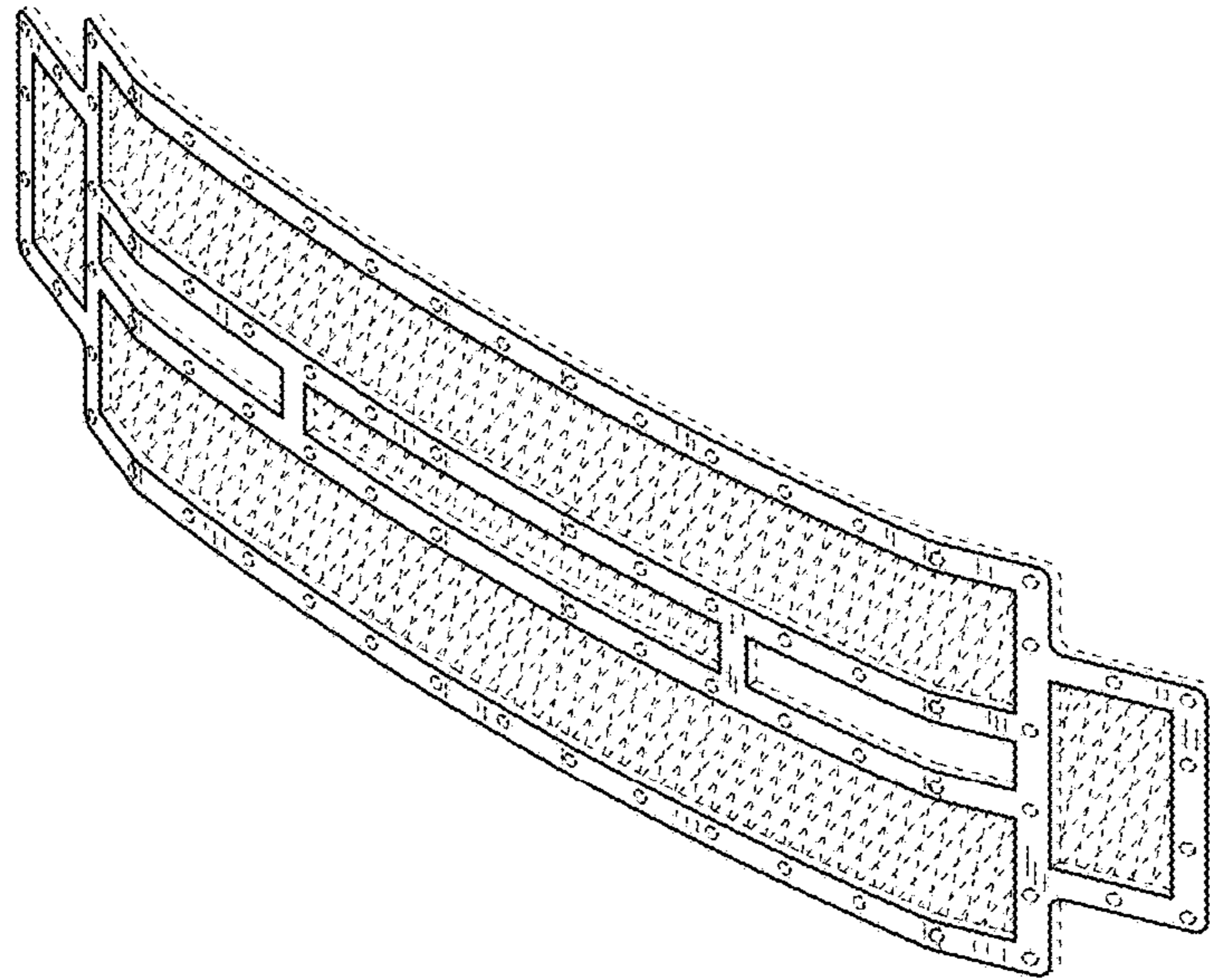


FIG. 5



FIG. 6

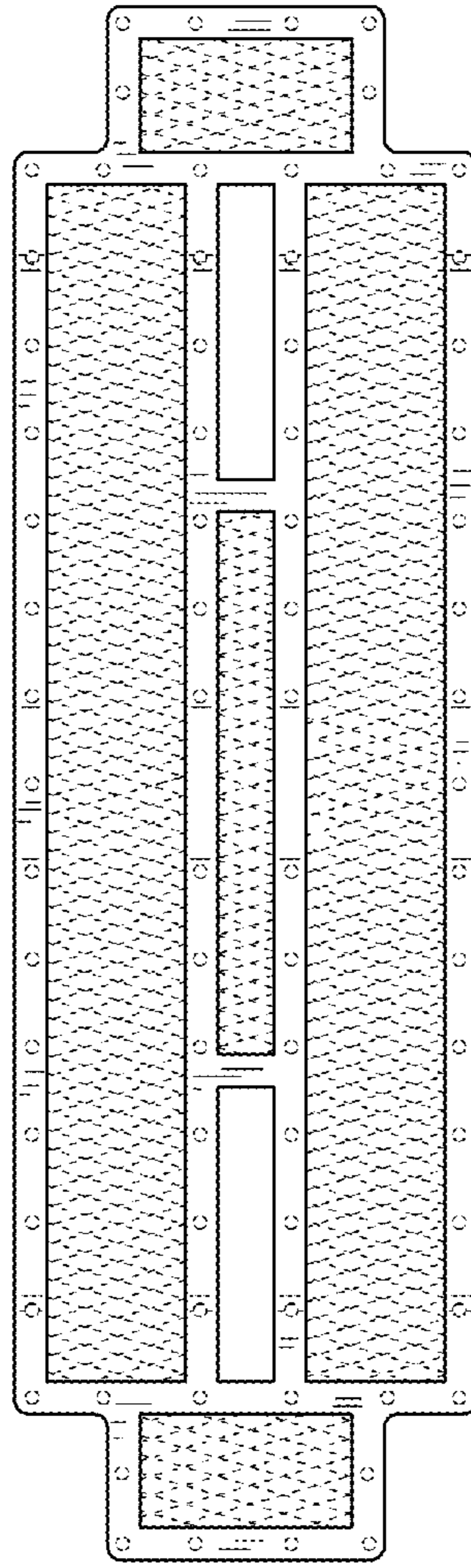


FIG. 7

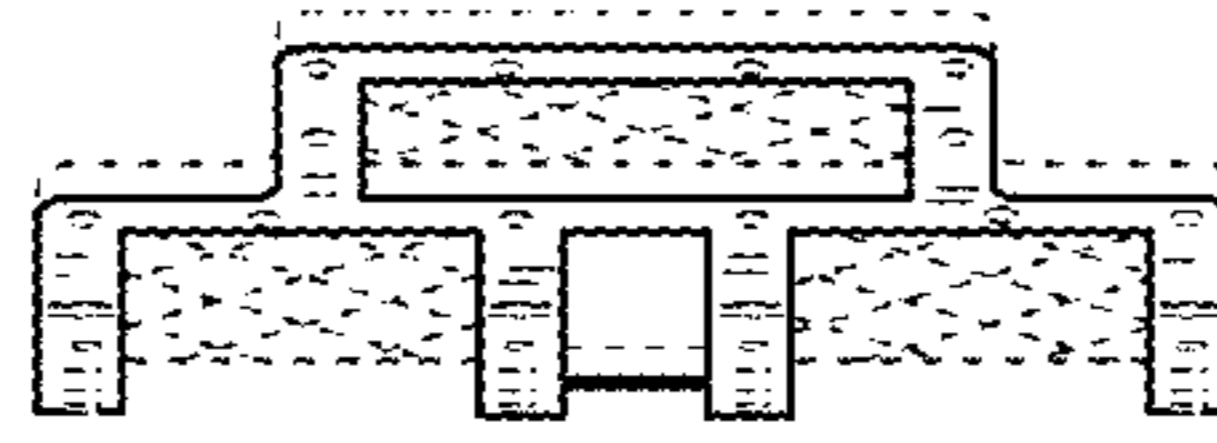


FIG. 8