



US00D844490S

(12) **United States Design Patent** (10) **Patent No.:** **US D844,490 S**
Luk (45) **Date of Patent:** **** Apr. 2, 2019**

(54) **VEHICLE, TOY, AND/OR REPLICAS THEREOF**
(71) Applicant: **Bayerische Motoren Werke Aktiengesellschaft, Munich (DE)**
(72) Inventor: **Calvin Luk, Munich (DE)**
(73) Assignee: **Bayerische Motoren Werke Aktiengesellschaft, Munich (DE)**
(**) Term: **15 Years**

D728,429 S * 5/2015 Nissl D12/92
D738,787 S * 9/2015 Clottu D12/92
D740,175 S * 10/2015 Bischoff D12/88
D742,283 S * 11/2015 Forsgren D12/92
D743,846 S * 11/2015 Guille D12/92
D757,607 S * 5/2016 Nissl D12/91
D759,543 S * 6/2016 Nissl D12/92
D761,693 S * 7/2016 Lian D12/91
D761,695 S * 7/2016 Faghihzadeh D12/92
D762,524 S * 8/2016 Luk D12/91
D764,979 S * 8/2016 Faghihzadeh D12/92
D774,416 S * 12/2016 Perini D12/88
D776,005 S * 1/2017 Forschner D12/91
D787,377 S * 5/2017 Al Attar D12/92

(Continued)

(21) Appl. No.: **29/631,784**
(22) Filed: **Jan. 3, 2018**

FOREIGN PATENT DOCUMENTS

(30) **Foreign Application Priority Data**
Jul. 11, 2017 (DE) 40 2007 100 810
(51) **LOC (11) Cl.** **12-08**
(52) **U.S. Cl.**
USPC **D12/92**
(58) **Field of Classification Search**
USPC D12/86, 90-92; D21/424, 433, 434;
296/181.1-181.5, 183.1
CPC B62D 25/00; B62D 25/06; B62D 33/00;
B62D 35/00
See application file for complete search history.

EM 000510698-0001 6/2006
EM 001035976-0001 5/2009

Primary Examiner — Melody N Brown
(74) *Attorney, Agent, or Firm* — Crowell & Moring LLP

(56) **References Cited**

(57) **CLAIM**

U.S. PATENT DOCUMENTS

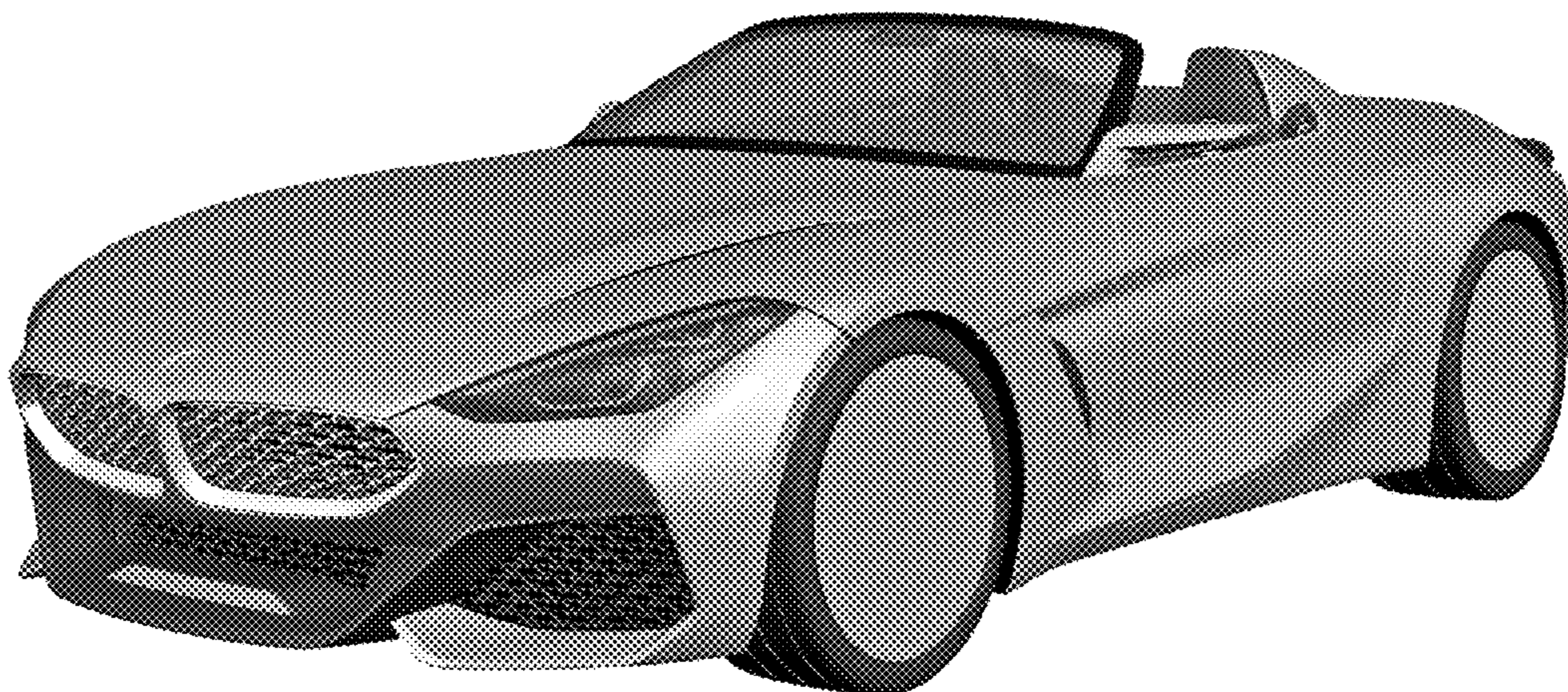
The ornamental design for a vehicle, toy, and/or replicas thereof, as shown and described.

D553,052 S 10/2007 Hettler
D599,249 S 9/2009 Blasi
D605,085 S * 12/2009 Weil D12/92
D620,843 S * 8/2010 Froehlich D12/92
D686,534 S * 7/2013 Weil D12/92
D710,760 S * 8/2014 Johnson D12/91
D716,187 S * 10/2014 Beermann D12/92
D716,189 S * 10/2014 Nordmann D12/92
D727,796 S * 4/2015 Weil D12/92
D727,797 S * 4/2015 Weil D12/92

DESCRIPTION

This application contains subject matter related to the following co-pending U.S. design patent application: Application Ser. No. 29/631,774, filed herewith and entitled "Vehicle, Toy, and/or Replicas Thereof".
FIG. 1 is a left, front perspective view of a vehicle, toy, and/or replicas thereof according to the design;
FIG. 2 is a left side view thereof;
FIG. 3 is a right side view thereof;
FIG. 4 is a left, rear perspective view thereof;
FIG. 5 is a front view thereof;
FIG. 6 is a rear view thereof; and,
FIG. 7 is a top view thereof.

1 Claim, 7 Drawing Sheets



(56)

References Cited

U.S. PATENT DOCUMENTS

D787,986 S	*	5/2017	Kang	D12/88
D803,100 S	*	11/2017	Forschner	D12/92
D813,726 S	*	3/2018	Tanghe	D12/91
D813,727 S	*	3/2018	Beermann	D12/92
D831,540 S	*	10/2018	Buckingham	D12/92
D831,541 S	*	10/2018	Buckingham	D12/92

* cited by examiner



Fig. 1

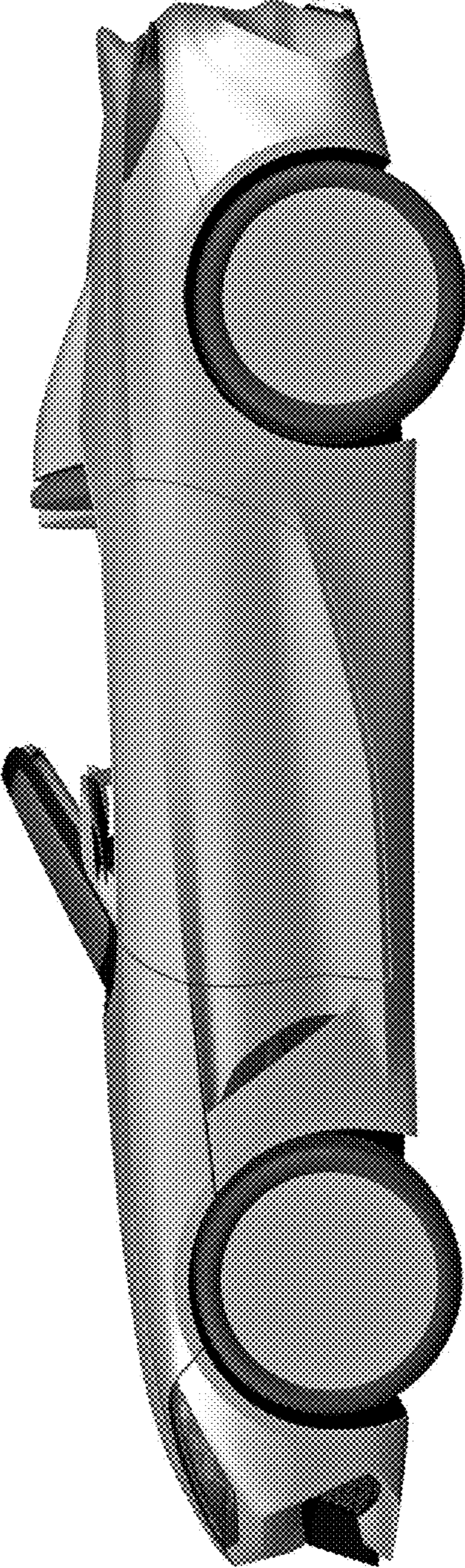


Fig. 2

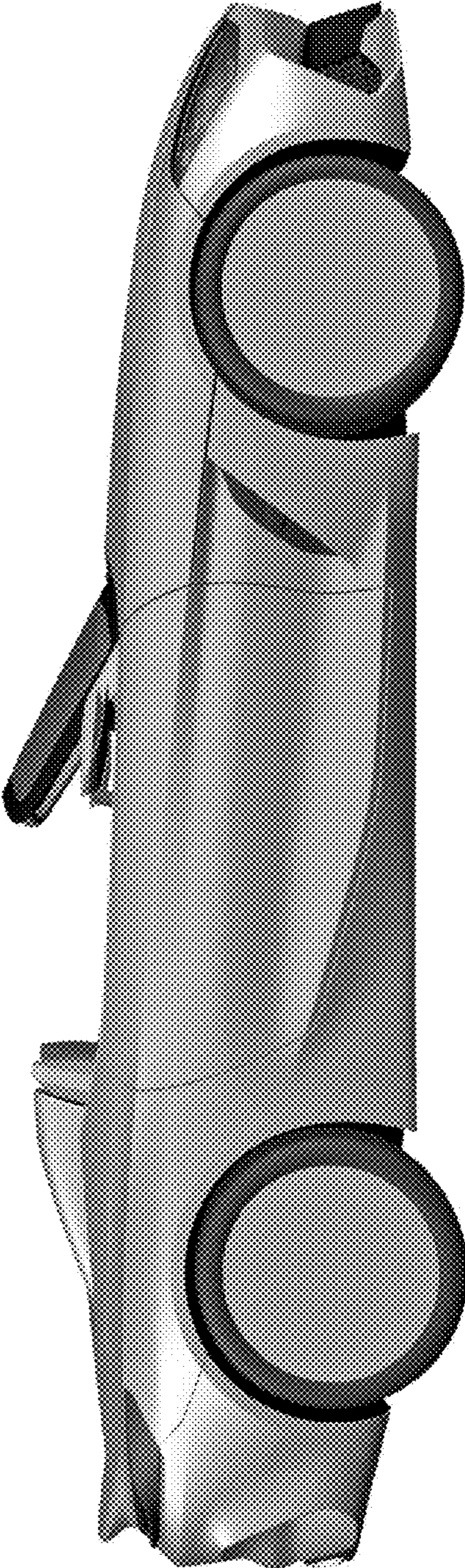


Fig. 3

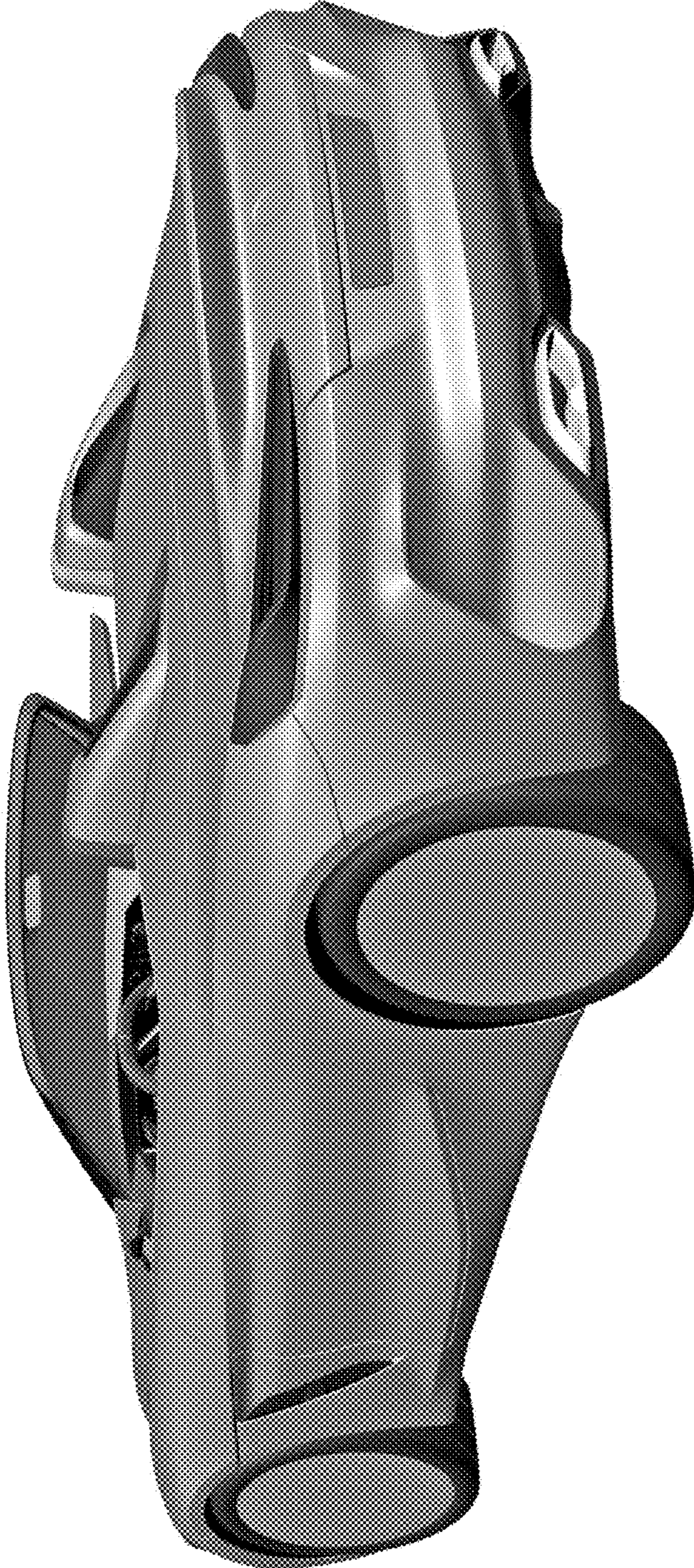


Fig. 4

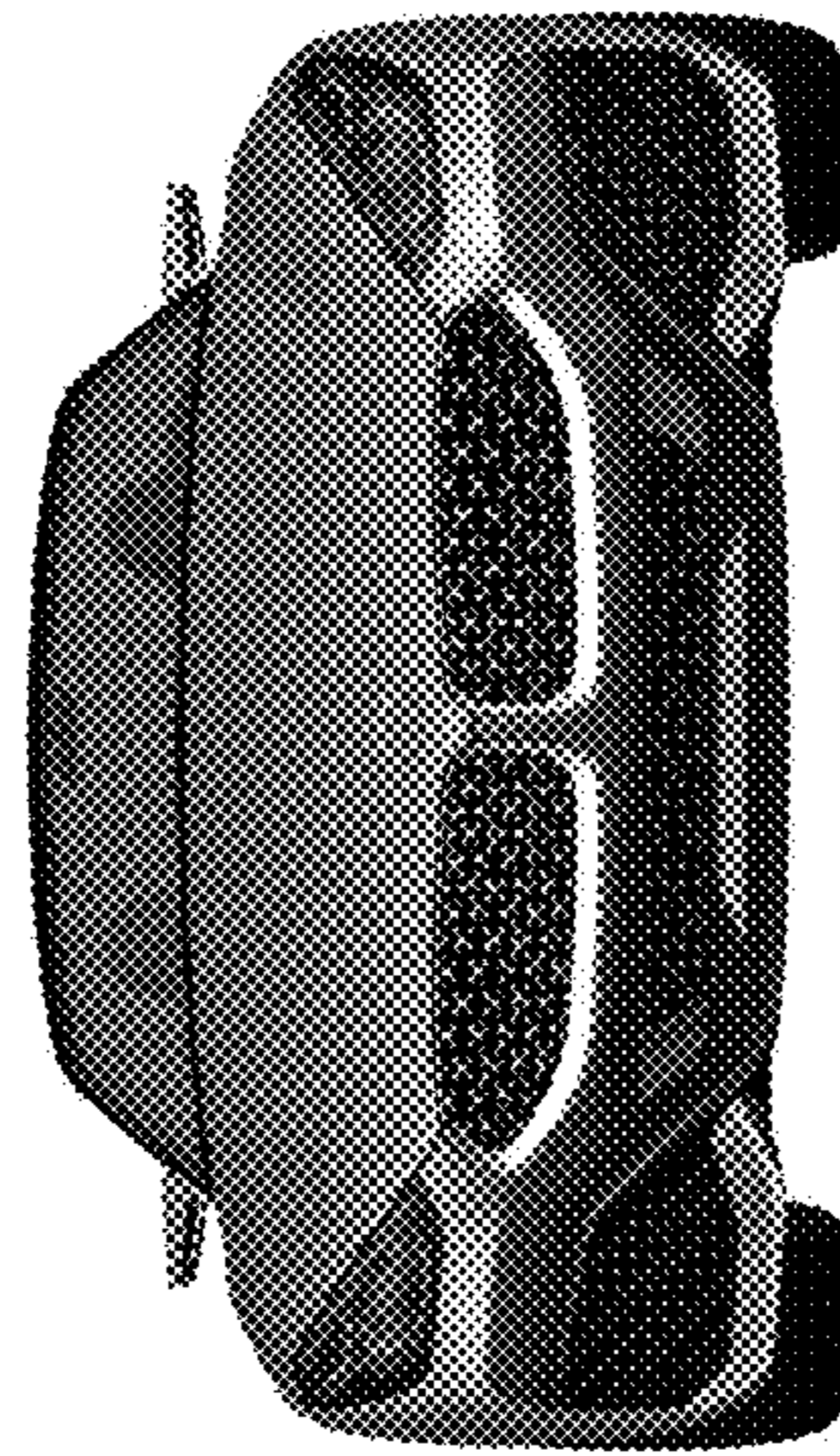


Fig. 5

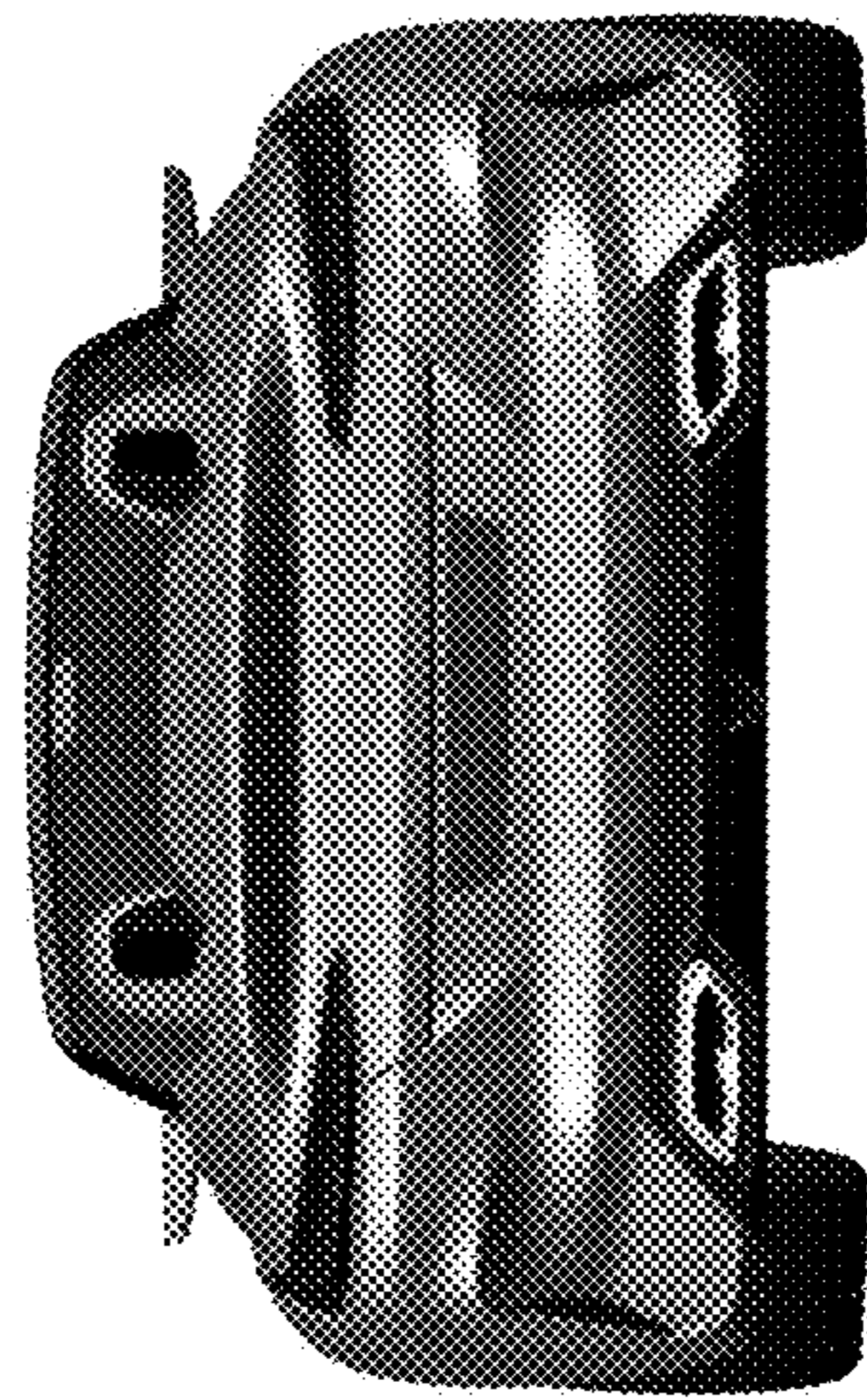


Fig. 6



Fig. 7