



US00D844489S

(12) **United States Design Patent**
Alexiev

(10) **Patent No.:** **US D844,489 S**

(45) **Date of Patent:** **** Apr. 2, 2019**

- (54) **CAR**
- (71) Applicant: **McLaren Automotive Limited**,
Woking, Surrey (GB)
- (72) Inventor: **Alexandar Bojidarov Alexiev**, Woking
(GB)
- (73) Assignee: **McLaren Automotive Limited**,
Woking, Surrey (GB)

D781,747 S	3/2017	Stephenson	
D785,503 S *	5/2017	Qu	D12/88
D800,018 S *	10/2017	Jheow	D12/88
D801,227 S	10/2017	Stephenson	
D804,355 S	12/2017	Stephenson	
D813,095 S *	3/2018	Manzoni	D12/88
D821,918 S *	7/2018	Seidl	D12/88
D823,724 S	7/2018	Melville et al.	
D826,089 S *	8/2018	Lesnik	D12/88
D829,606 S *	10/2018	Jin	D12/88

(**) Term: **15 Years**

(21) Appl. No.: **29/641,159**

(22) Filed: **Mar. 20, 2018**

(51) **LOC (11) Cl.** **12-08**

(52) **U.S. Cl.**
USPC **D12/88**

(58) **Field of Classification Search**
USPC D12/86, 90-92, 88; D21/424, 433, 434;
296/181.1-181.5, 183.1
CPC B62D 25/00; B62D 25/06; B62D 33/00;
B62D 35/00
See application file for complete search history.

(56) **References Cited**

U.S. PATENT DOCUMENTS

D628,124 S	11/2010	Stephenson	
D717,211 S	11/2014	Stephenson	
D734,212 S	7/2015	Stephenson	
D734,213 S	7/2015	Stephenson	
D767,446 S	9/2016	Stephenson	
D774,947 S *	12/2016	Anscheidt	D12/88
D780,063 S	2/2017	Stephenson	

FOREIGN PATENT DOCUMENTS

EM	002105403-0001	9/2012
EM	002105403-0002	9/2012

* cited by examiner

Primary Examiner — Melody N Brown

(74) *Attorney, Agent, or Firm* — Wolf, Greenfield & Sacks, P.C.

(57) **CLAIM**

The ornamental design for a car, as shown and described.

DESCRIPTION

FIG. 1 is a top, front, right side perspective view of a car showing my new design;

FIG. 2 is a top, rear, right side perspective view thereof;

FIG. 3 is a right side elevation view thereof;

FIG. 4 is a left side elevation view thereof;

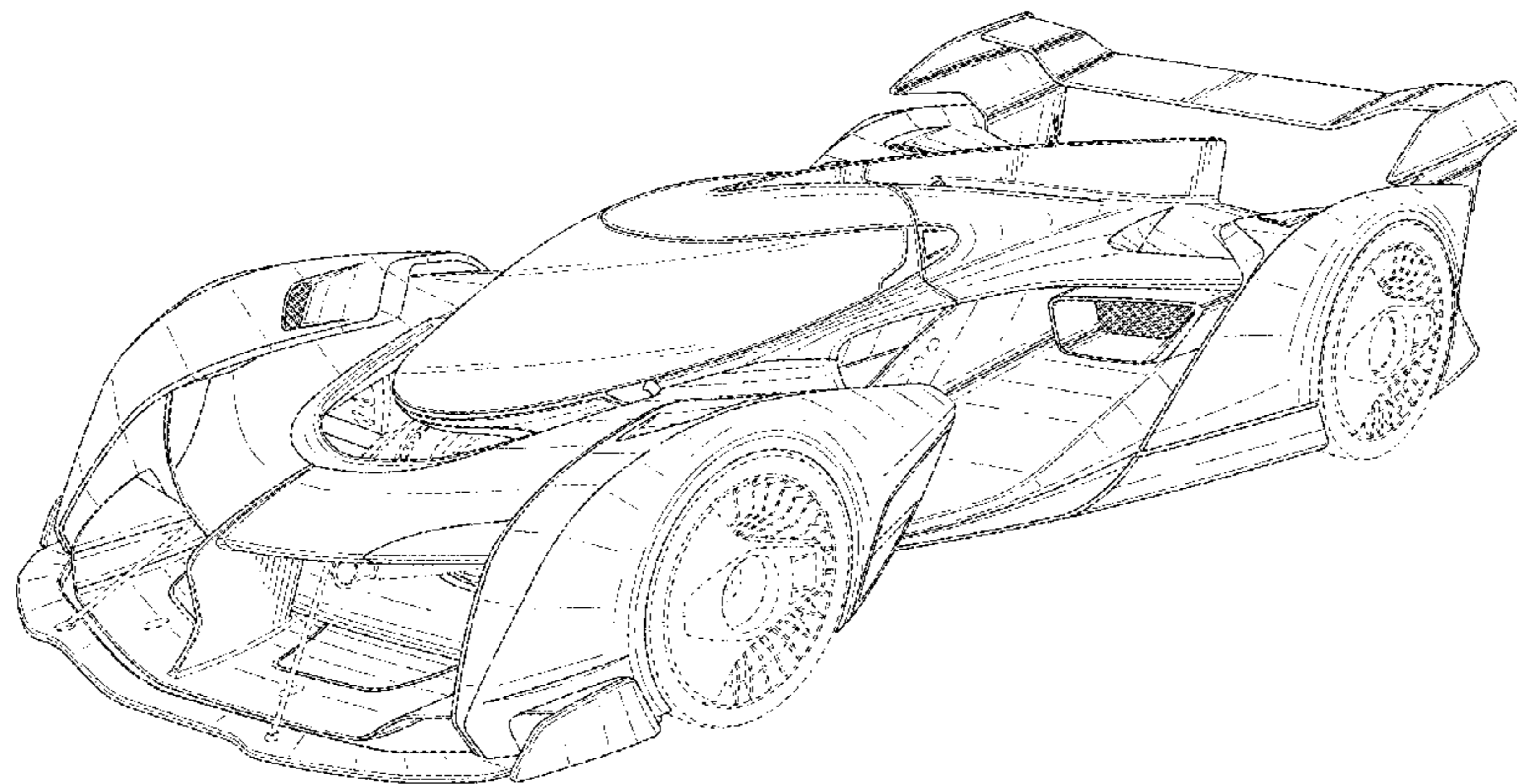
FIG. 5 is a front elevation view thereof;

FIG. 6 is a rear elevation view thereof; and,

FIG. 7 is a top plan view thereof.

The broken lines illustrate portions of the car that form no part of the claimed design.

1 Claim, 6 Drawing Sheets



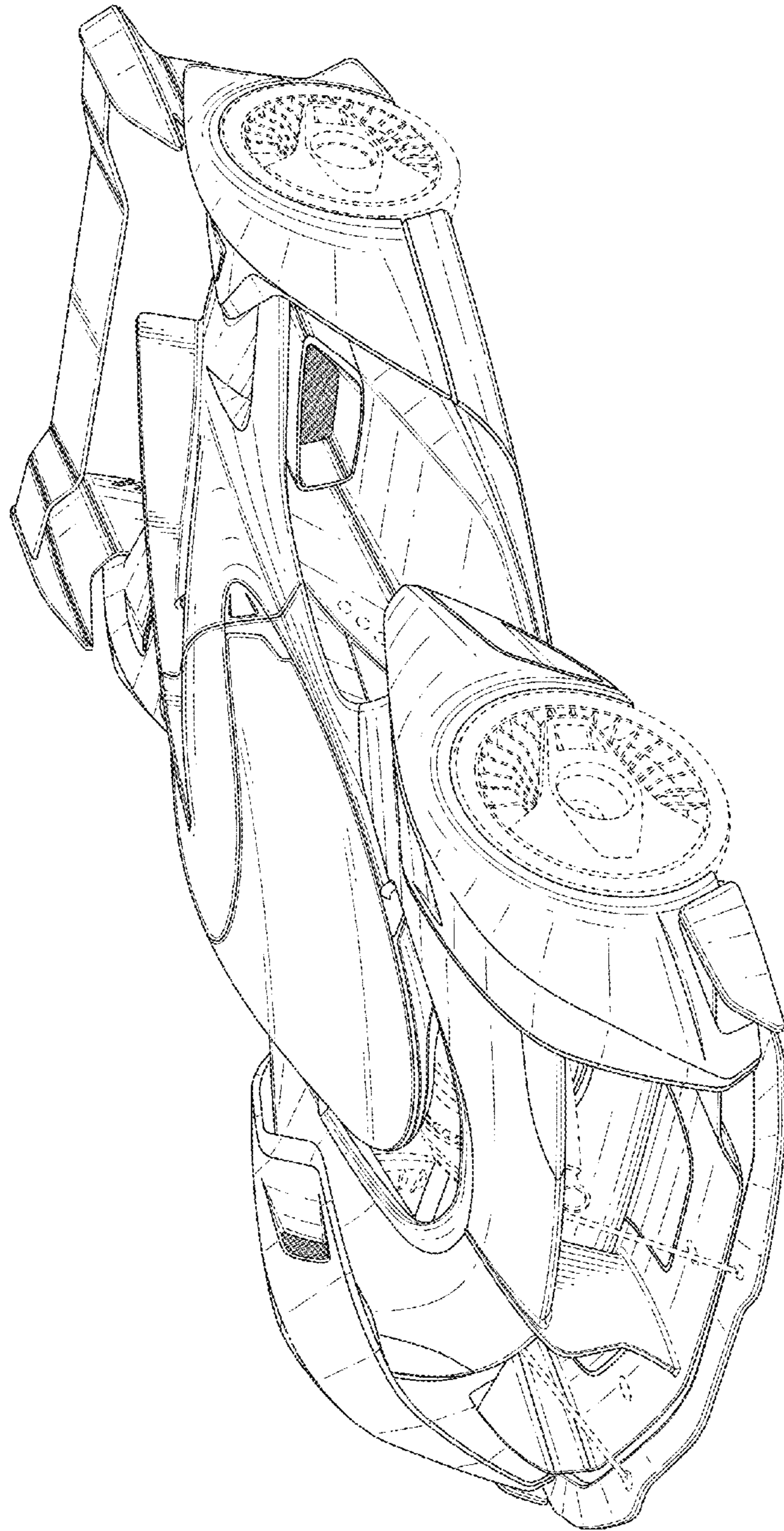


FIG. 1

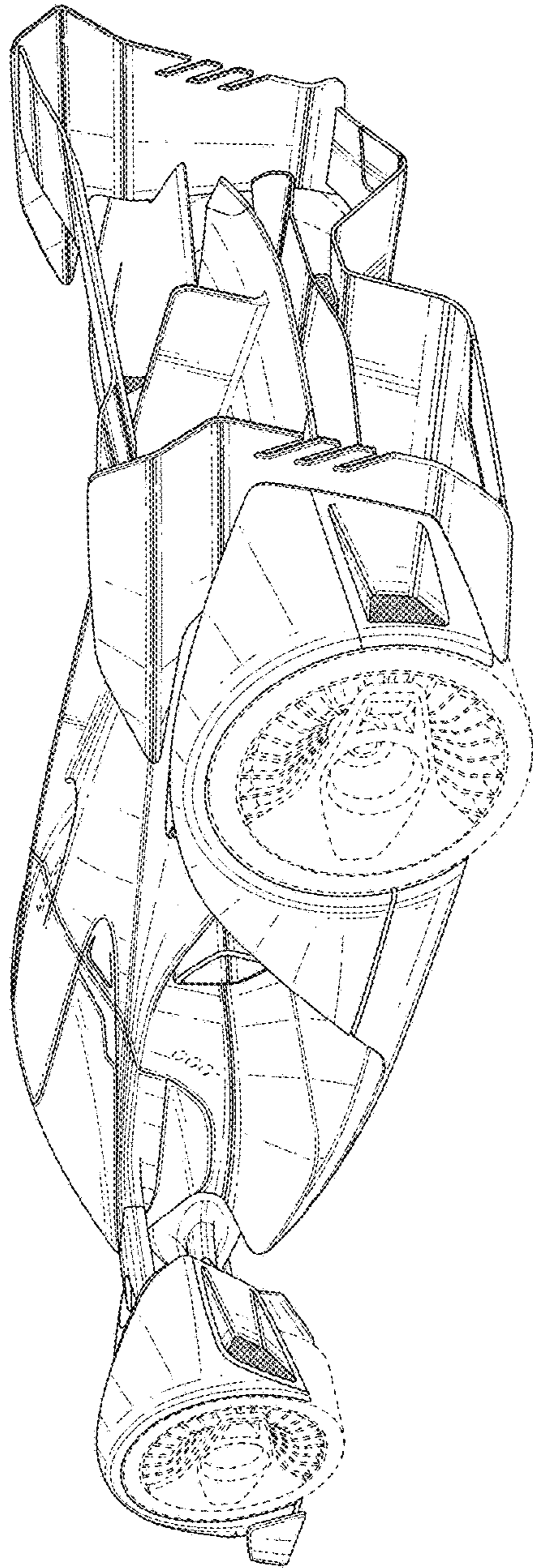


FIG. 2

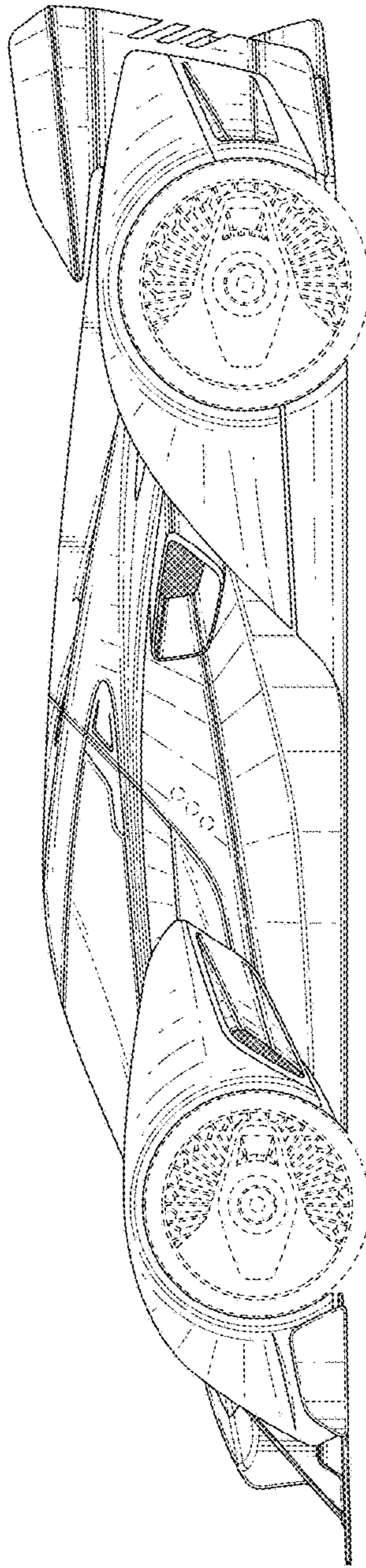


FIG. 3

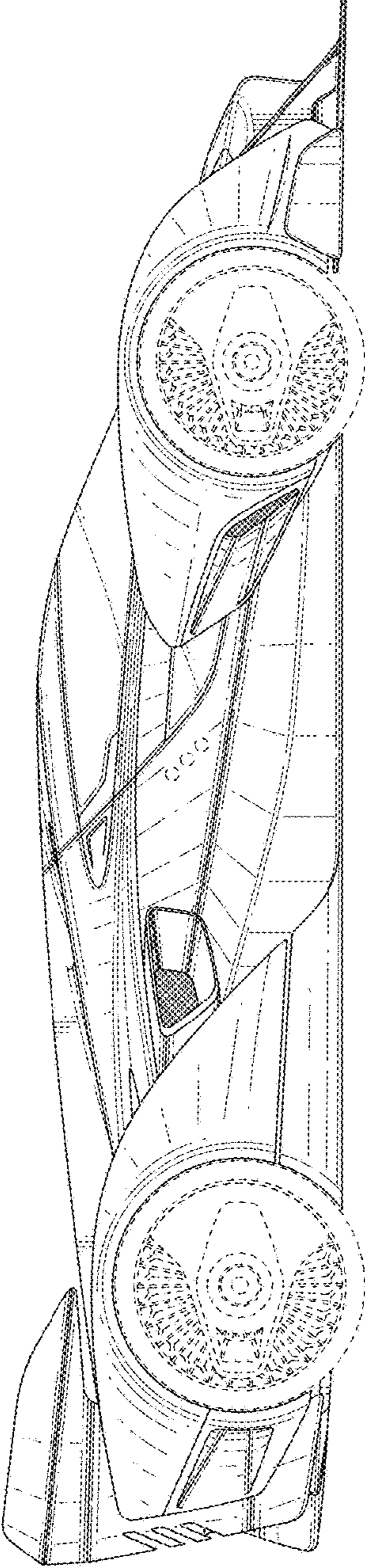


FIG. 4

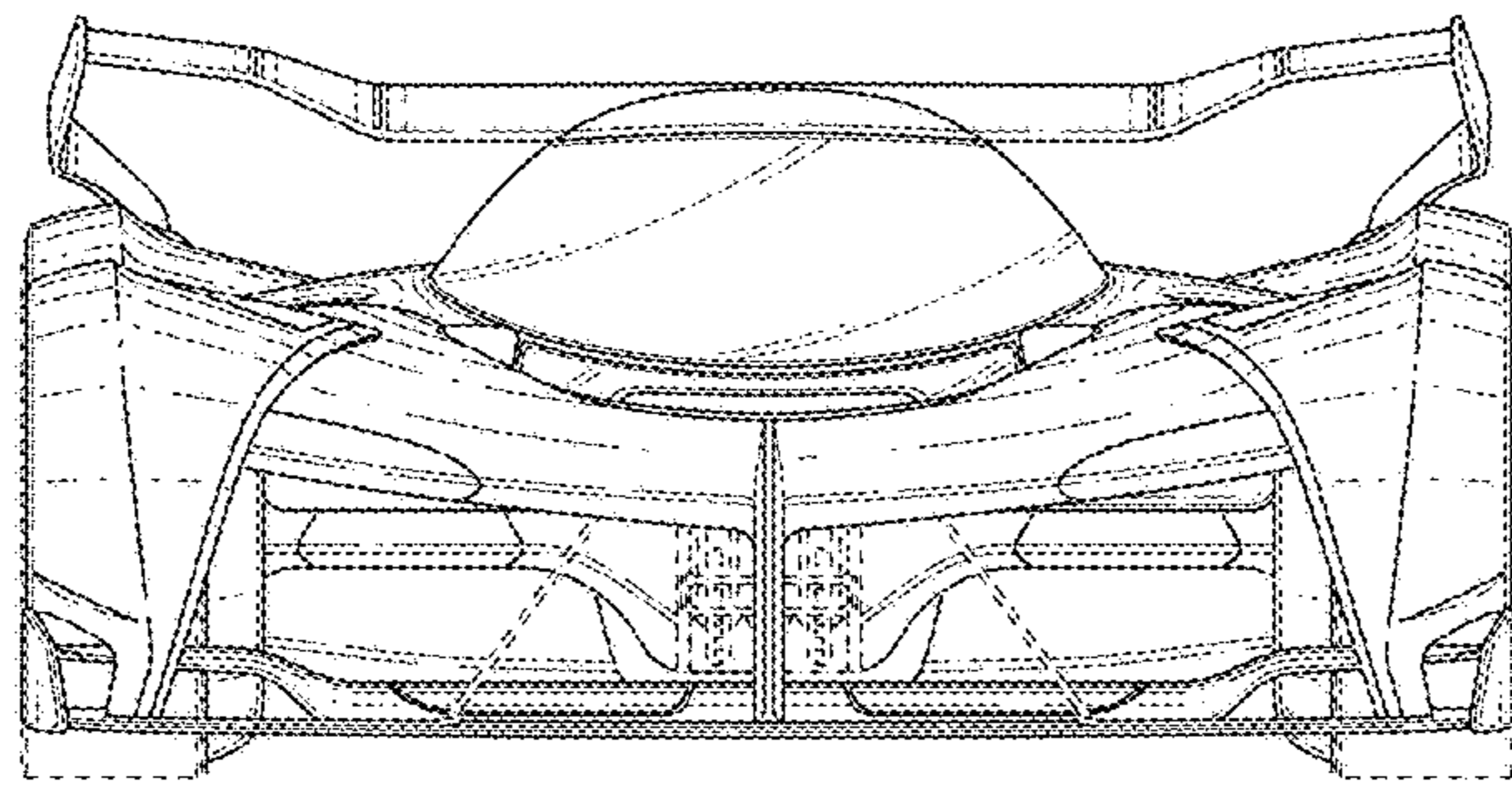


FIG. 5

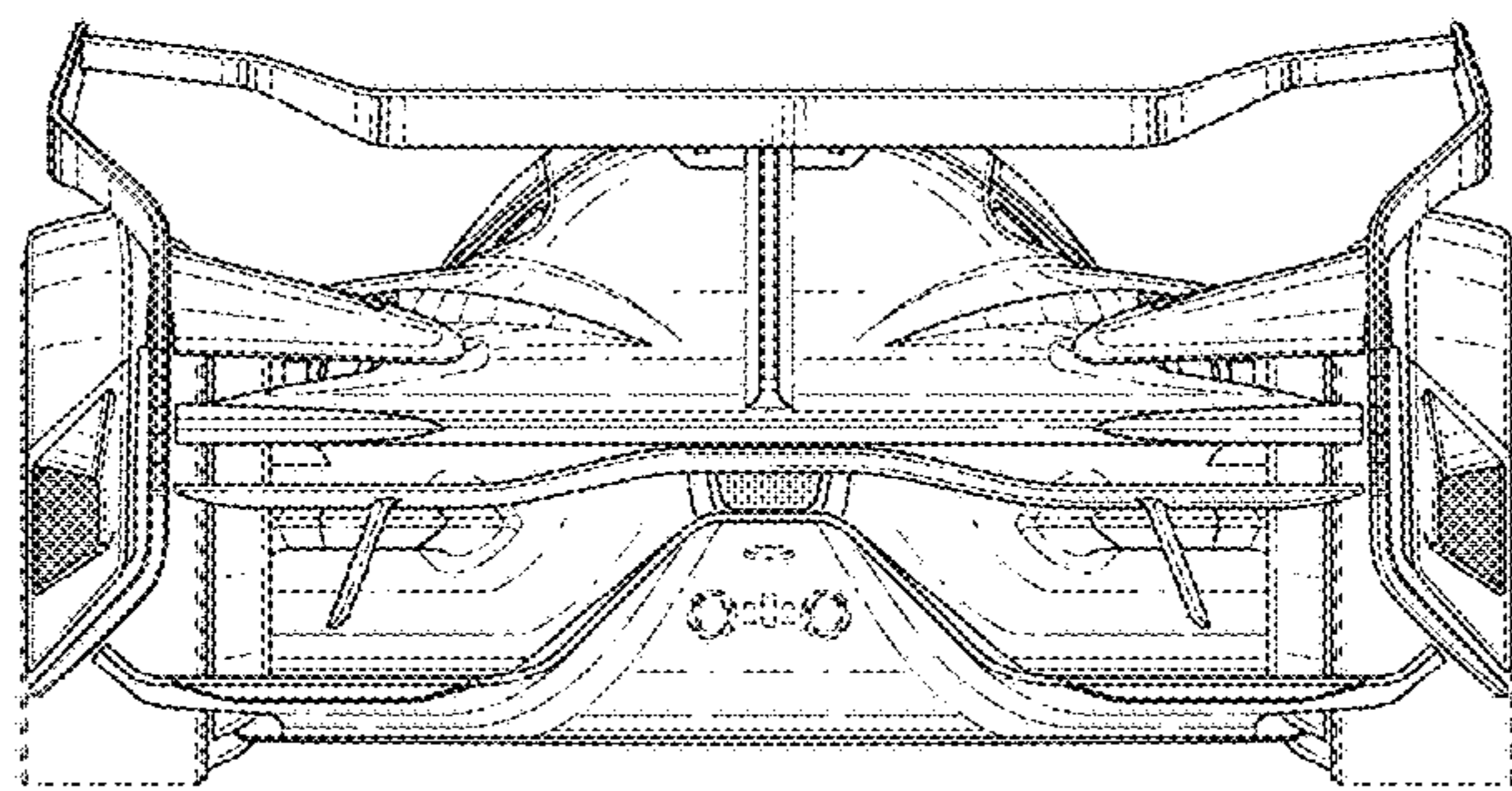


FIG. 6

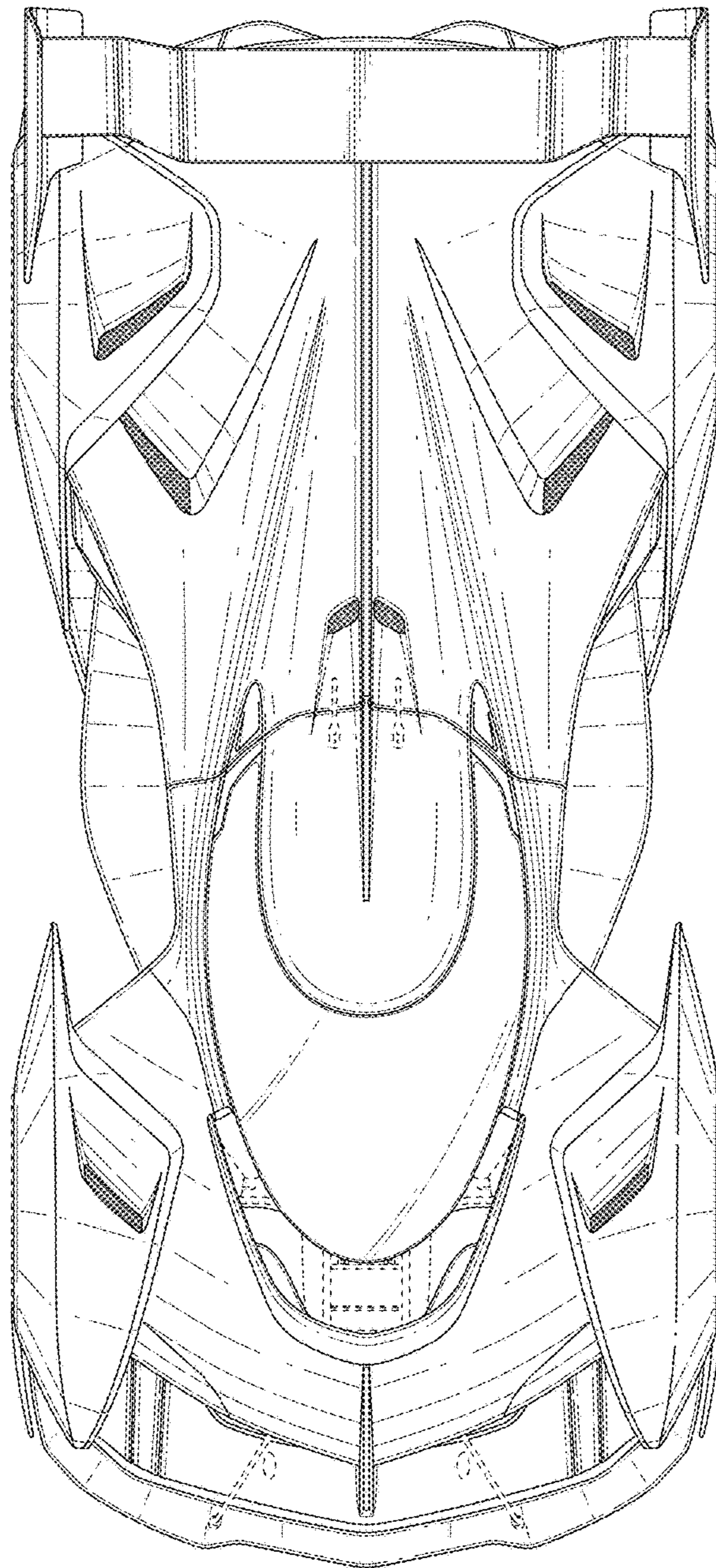


FIG. 7