



US00D844485S

(12) **United States Design Patent** (10) **Patent No.:** **US D844,485 S**
Siegel (45) **Date of Patent:** **** Apr. 2, 2019**

(54) **FIGURINE LEG AND FOOT**
(71) Applicant: **Kamal Siegel**, Monroe, WA (US)
(72) Inventor: **Kamal Siegel**, Monroe, WA (US)
(**) Term: **15 Years**
(21) Appl. No.: **29/558,780**
(22) Filed: **Mar. 21, 2016**
(51) **LOC (11) Cl.** **11-02**
(52) **U.S. Cl.**
USPC **D11/164**
(58) **Field of Classification Search**
USPC D15/199, 144; D21/578, 579, 576,
D21/621-623, 624-627, 630; D24/185;
D14/302, 307; D11/134, 136, 146, 157,
D11/160, 184, 158, 164
CPC . B25J 9/044; B25J 9/003; B25J 9/0078; B25J
9/102; B25J 18/00; B25J 18/002; B25J
18/04; B25J 18/007; B25J 15/00; B25J
15/0033; B25J 15/0038; A61F 2/60; A61F
2/605; A61F 2002/607; A61F 2002/608;
A61F 2002/6614; A61F 2002/66; A61F
2/66

See application file for complete search history.

(56) **References Cited**
U.S. PATENT DOCUMENTS

D172,709 S	1/1876	Crandall	
D59,051 S	9/1921	Wilcox	
2,454,899 A	11/1948	Twomey	
D187,177 S	2/1960	Lawson	
D193,725 S	10/1962	Him	
D201,778 S	7/1965	Berman	
D233,238 S	10/1974	Reid	
D251,627 S *	4/1979	McQuarrie	D21/578
D251,693 S *	4/1979	Van Koert	
D256,933 S *	9/1980	Jones	D21/622
D290,482 S *	6/1987	Ryaa	D21/631
D316,876 S	5/1991	Heseltine	

D329,664 S 9/1992 Wagener
D353,856 S 12/1994 Ryaa et al.
D361,793 S 8/1995 Hayden
5,480,074 A 1/1996 Duncan et al.
(Continued)

FOREIGN PATENT DOCUMENTS

WO WO-2007095933 A2 * 8/2007 A61F 2/605

OTHER PUBLICATIONS

HobbyHovel, Review: Real Grade RX-78-2 Gundam, posted Dec. 25, 2010, [online], [site visited May 17, 2018]. Available from Internet, <URL: <http://www.hobbyhovel.com/2010/12/review-real-grade-rx-78-2-gundam.html>> (Year: 2010).*

(Continued)

Primary Examiner — Sheryl Lane
Assistant Examiner — Samantha N Wood
(74) *Attorney, Agent, or Firm* — Quickpatents, LLC;
Kevin Prince

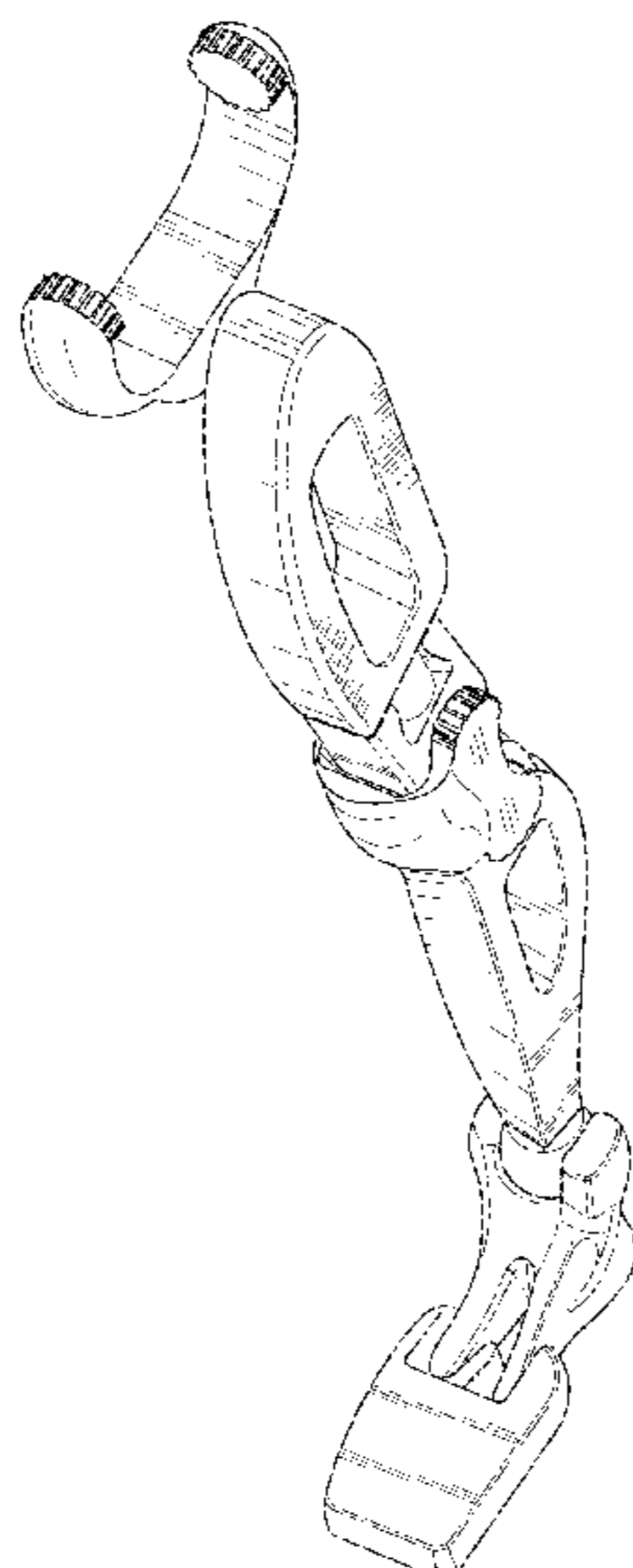
(57) **CLAIM**

I claim the ornamental design for a figurine leg and foot, as shown and described.

DESCRIPTION

FIG. 1 is a top perspective view of a figurine leg and foot, showing my new design;
FIG. 2 is a bottom perspective view thereof;
FIG. 3 is a left-side elevational view thereof;
FIG. 4 is a right-side elevational view thereof;
FIG. 5 is a front elevational view thereof;
FIG. 6 is a rear elevational view thereof;
FIG. 7 is a top plan view thereof; and,
FIG. 8 is a bottom plan view thereof.
The broken lines in the drawings illustrate portions of the figurine leg and foot that form no part of the claimed design.

1 Claim, 5 Drawing Sheets



(56)

References Cited

U.S. PATENT DOCUMENTS

D403,359	S	12/1998	Dahl	
D410,476	S *	6/1999	Gomi	D15/199
D410,705	S *	6/1999	Toft	D21/486
6,089,950	A	7/2000	Lee et al.	
D459,416	S	6/2002	Rodgers	
6,422,916	B1	7/2002	Enku	
D537,130	S	2/2007	Kitamura	
7,237,690	B2	7/2007	Stern	
D594,776	S	6/2009	Teshome	
D622,332	S	8/2010	Pence	
7,815,485	B2	10/2010	Moothedath et al.	
D677,743	S *	3/2013	Koshiishi	D15/199
D680,589	S	4/2013	Hardy et al.	
D706,352	S	6/2014	Hardy et al.	
D735,603	S *	8/2015	Siegel	D11/160
2004/0164697	A1 *	8/2004	Iribe	B25J 13/085 318/568.12

OTHER PUBLICATIONS

Lupes Wordpress, Armor Plus Kikoutei Rekka, commented Jul. 13, 2012, [online], [site visited May 17, 2018]. Available from Internet, <URL: <https://lupes.wordpress.com/figures/armor-plus-kikoutei-rekka/>> (Year: 2012).*

Perfect Design Sense, RX-93-2, webarchive Mar. 20, 2008, [online], [site visited May 17, 2018]. Available from Internet, <URL: <https://web.archive.org/web/20080320234558/http://www.perfectdesignsense.com/martinwandering/giantrobots/hi-nu/rx-93-2.html>> (Year: 2008).*

* cited by examiner

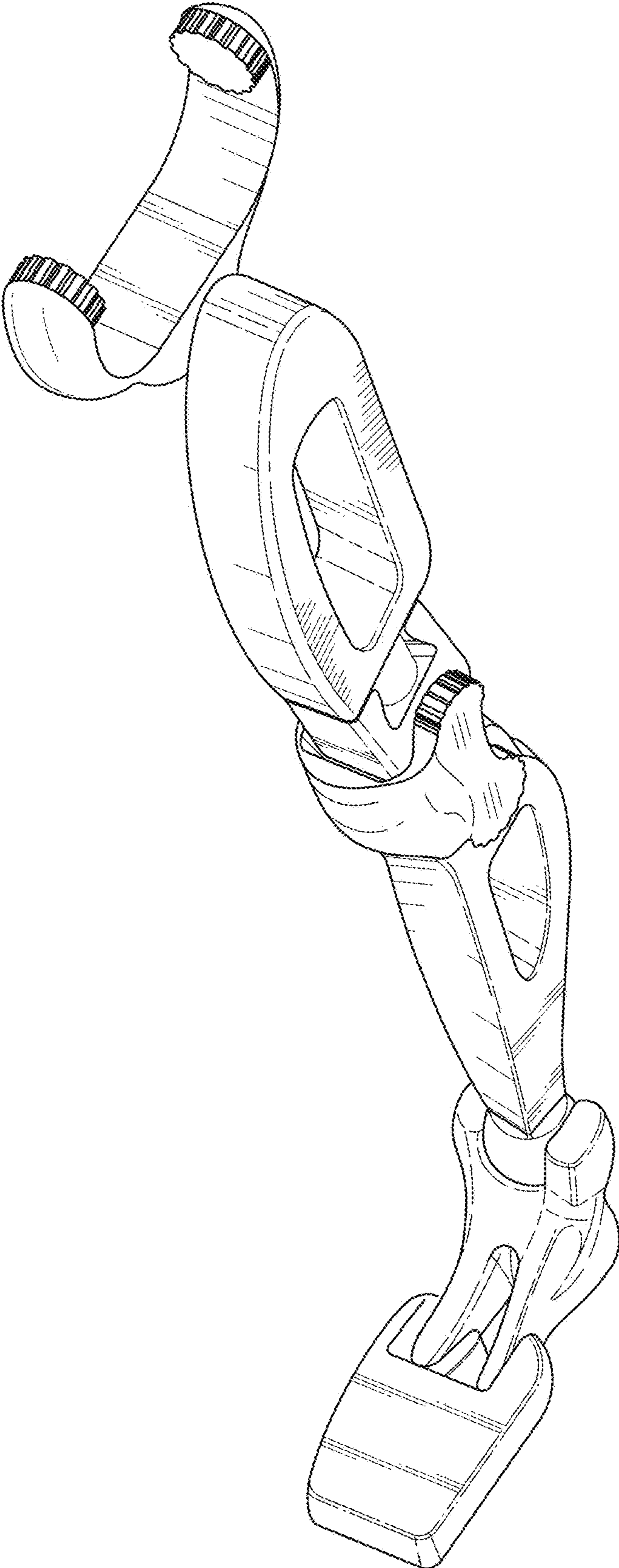


FIG. 1

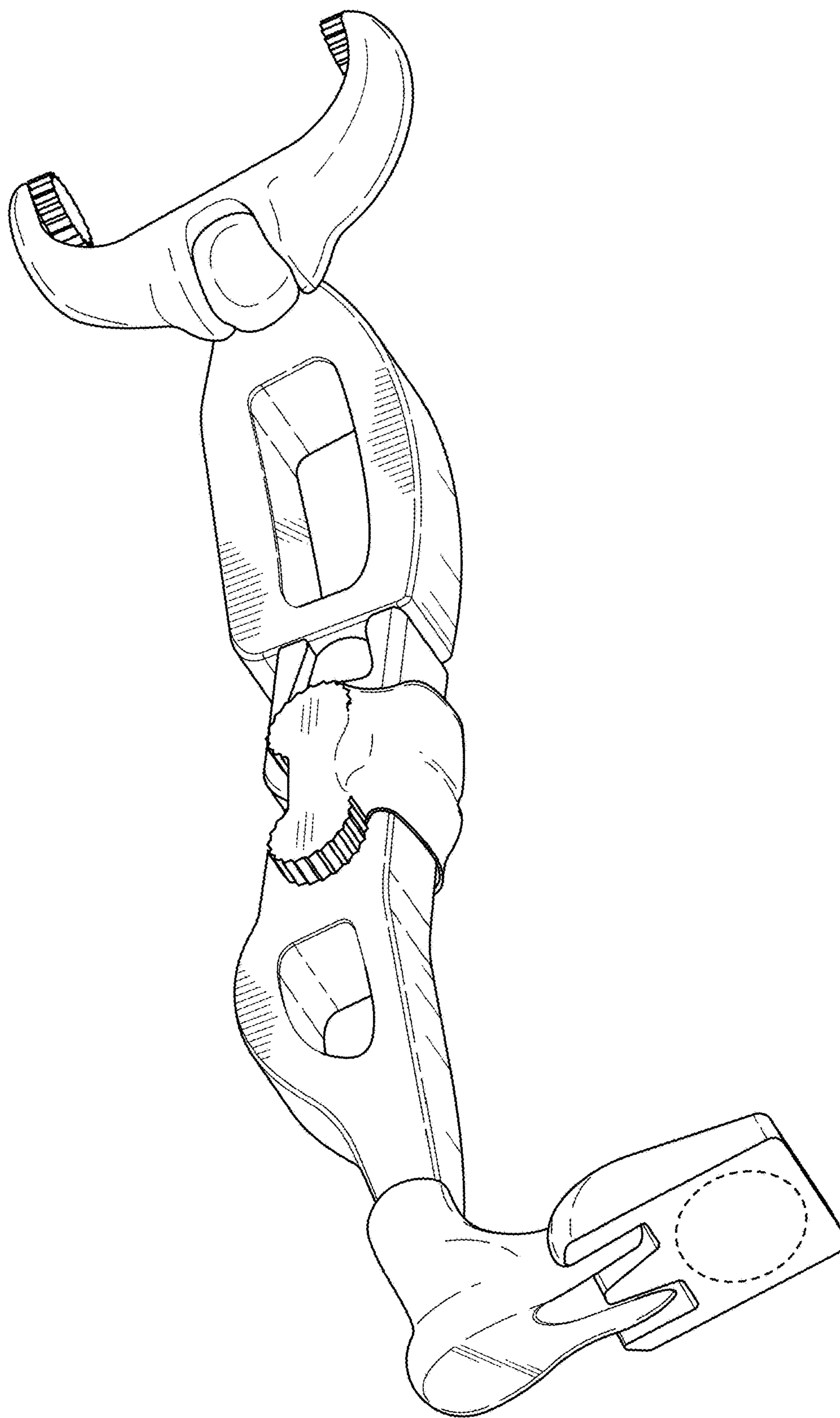


FIG. 2

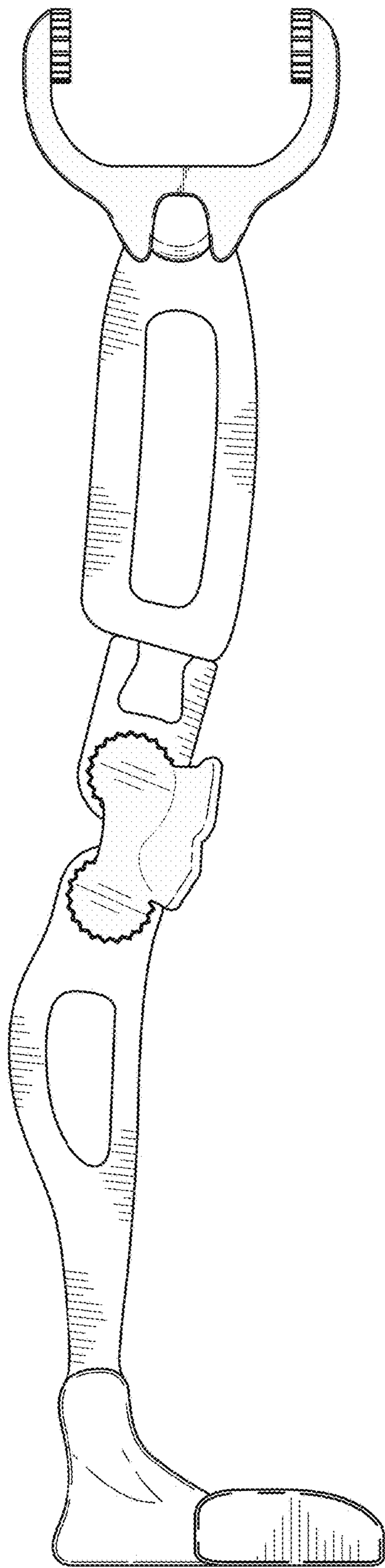


FIG. 3

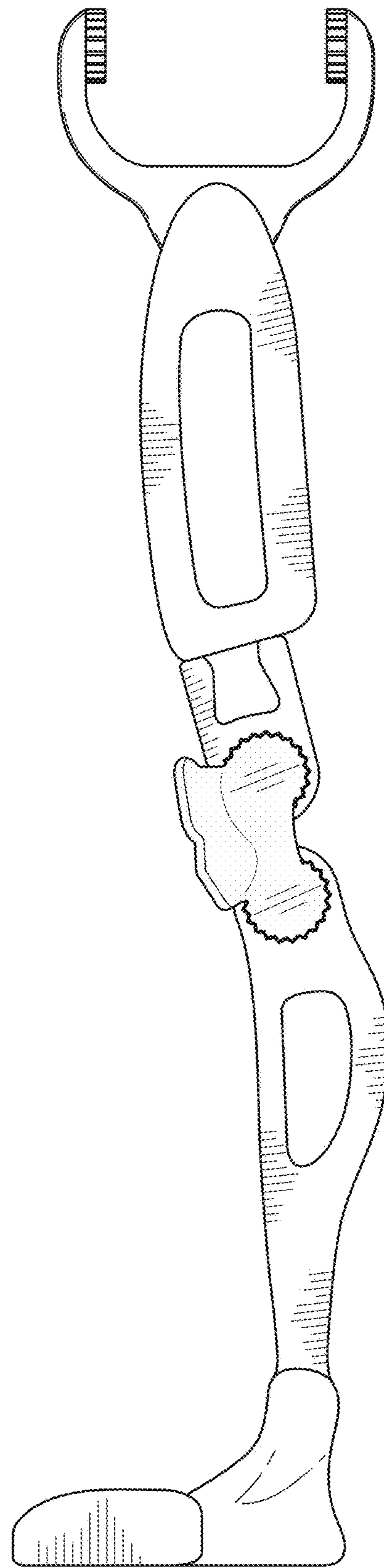


FIG. 4

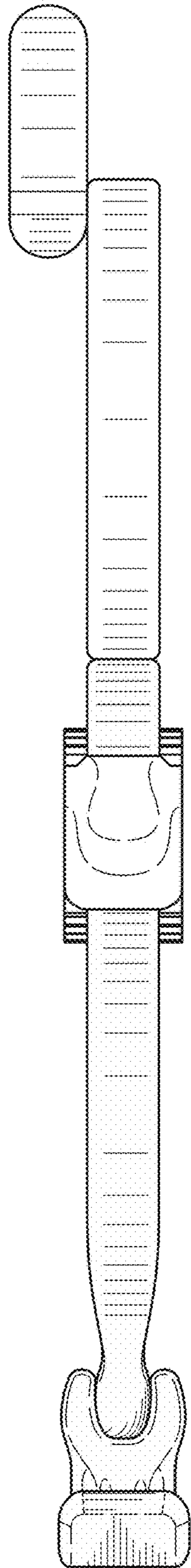


FIG. 5

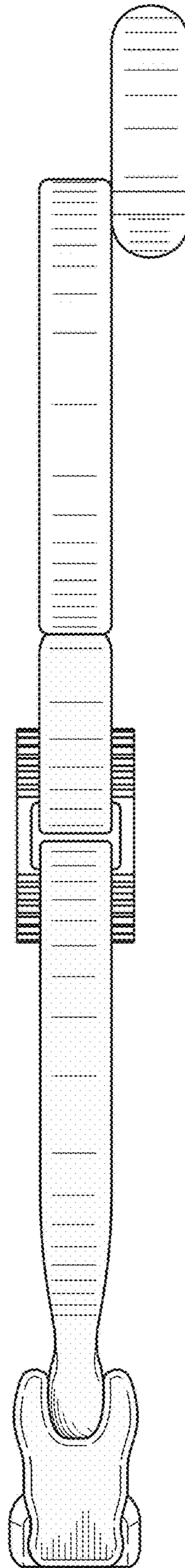


FIG. 6

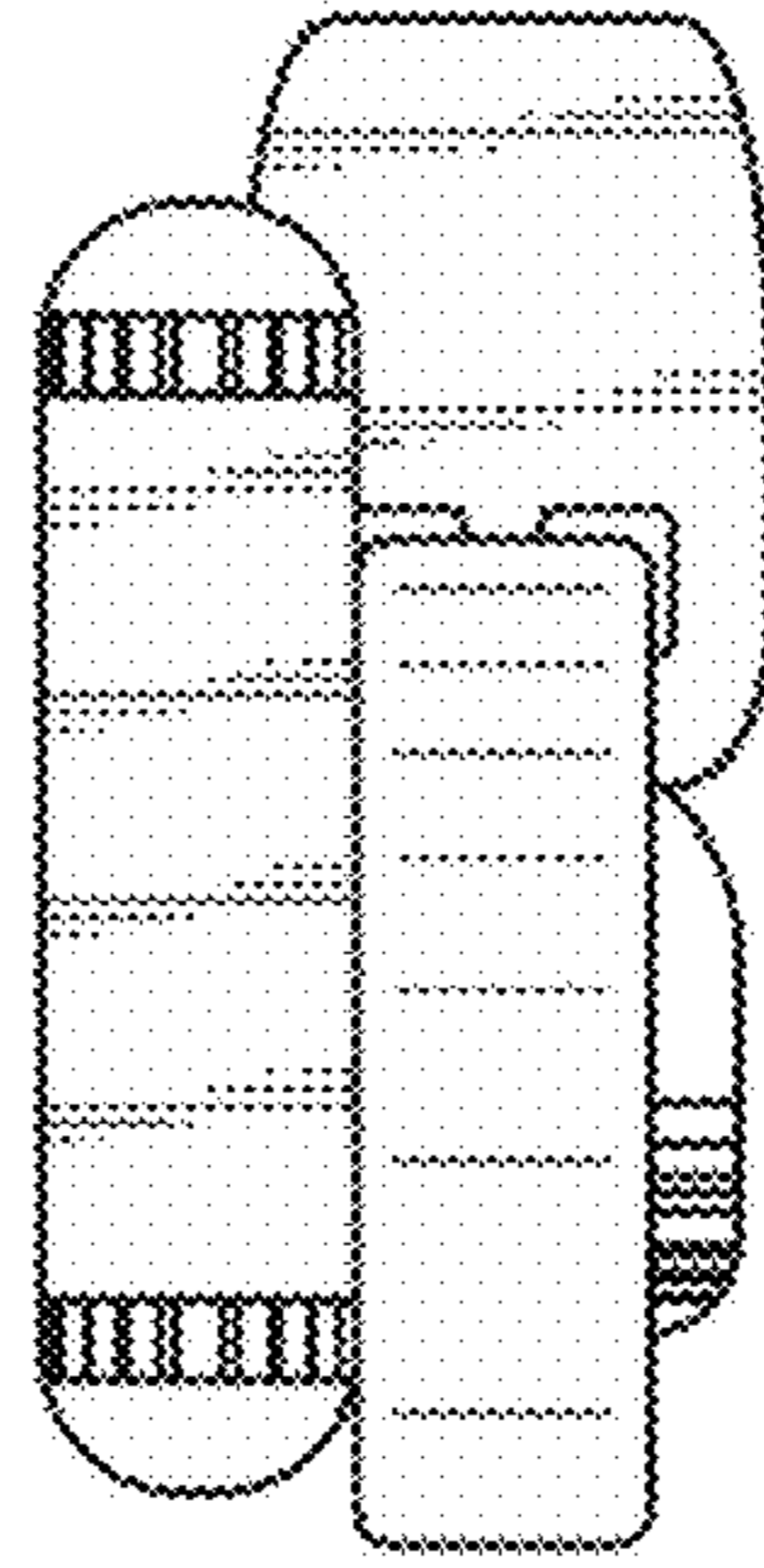


FIG. 7

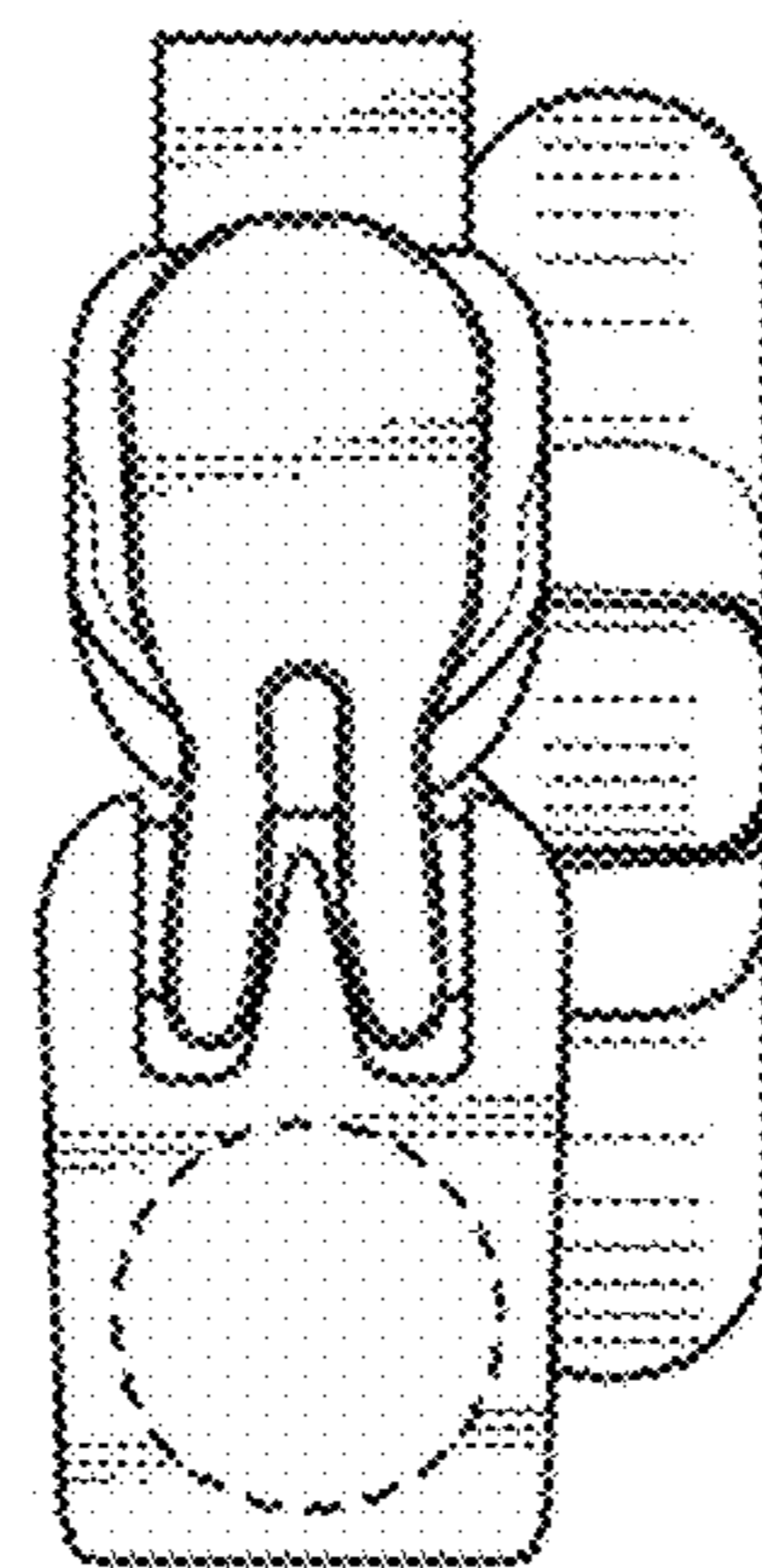


FIG. 8