



US00D844481S

(12) **United States Design Patent**  
**Wessel et al.**

(10) **Patent No.:** **US D844,481 S**  
(45) **Date of Patent:** **\*\* Apr. 2, 2019**

- (54) **INCENSE BURNER**
- (71) Applicant: **TENNEN LLC**, Phoenix, AZ (US)
- (72) Inventors: **Ethan Christopher Wessel**, Phoenix, AZ (US); **Sarah Melinda Wessel**, Phoenix, AZ (US)
- (73) Assignee: **TENNEN LLC**, Phoenix, AZ (US)
- (\*\*) Term: **15 Years**
- (21) Appl. No.: **29/630,136**
- (22) Filed: **Dec. 19, 2017**

- D379,471 S \* 5/1997 Gilbert ..... D1/127
- 5,873,370 A \* 2/1999 Towle ..... A24F 19/10  
131/190
- D497,466 S \* 10/2004 Van De Wal ..... D1/127
- D527,674 S \* 9/2006 Biglarians ..... D11/131.1

**OTHER PUBLICATIONS**

Tennen Tall Box Burner found online [Jun. 20, 2017] <http://tennen.us/burners/tall-box-burner-polished-nickel>.\*

\* cited by examiner

*Primary Examiner* — Brandon M Rosati

*Assistant Examiner* — John A Voytek

(74) *Attorney, Agent, or Firm* — Greenberg Traurig LLP

**Related U.S. Application Data**

- (63) Continuation-in-part of application No. 29/578,116, filed on Sep. 19, 2016, now Pat. No. Des. 805,422.
- (51) **LOC (11) Cl.** ..... **11-02**
- (52) **U.S. Cl.**  
USPC ..... **D11/131.1**
- (58) **Field of Classification Search**  
USPC ..... D11/131.1; D1/103, 127; D19/78, 103;  
D27/104, 134, 135, 193; D28/20  
CPC . A24F 15/18; A61L 9/03; A61L 9/122; F21V  
33/0012; F22B 1/284  
See application file for complete search history.

**References Cited**

**U.S. PATENT DOCUMENTS**

- 128,386 A \* 6/1872 Guthman ..... A24C 1/18  
131/85
- 1,829,454 A \* 10/1931 Pride ..... A24D 1/042  
131/256
- 2,188,692 A \* 1/1940 Schultz ..... A24F 19/10  
131/238
- D253,548 S \* 11/1979 Gruber ..... 422/126
- D264,869 S \* 6/1982 Gordon ..... D11/131.1

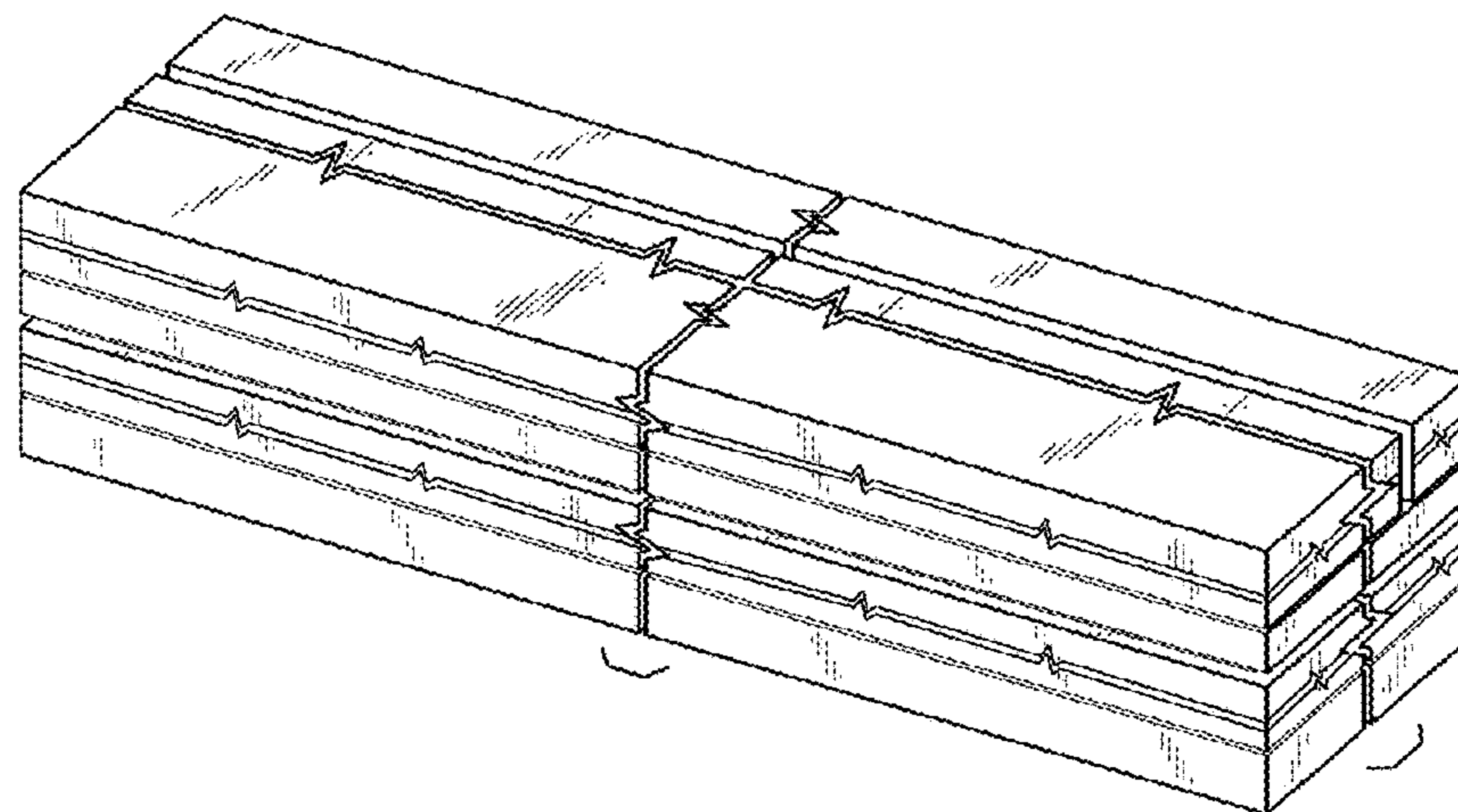
(57) **CLAIM**

We claim the ornamental design for an incense burner, as shown and described.

**DESCRIPTION**

FIG. 1 is a perspective view of an incense burner;  
FIG. 2 is a side view of the incense burner of FIG. 1;  
FIG. 3 is a side view of the incense burner of FIG. 1 opposite to the side of FIG. 2;  
FIG. 4 is an end view of the incense burner of FIG. 1;  
FIG. 5 is an end view of the incense burner of FIG. 1 opposite to the end of FIG. 4;  
FIG. 6 is a top view of the incense burner of FIG. 1; and,  
FIG. 7 is a bottom view of the incense burner of FIG. 1.  
The incense burner is shown with a symbolic break in its length. The appearance of any portion of the article between the break lines forms no part of the claimed design.

**1 Claim, 2 Drawing Sheets**



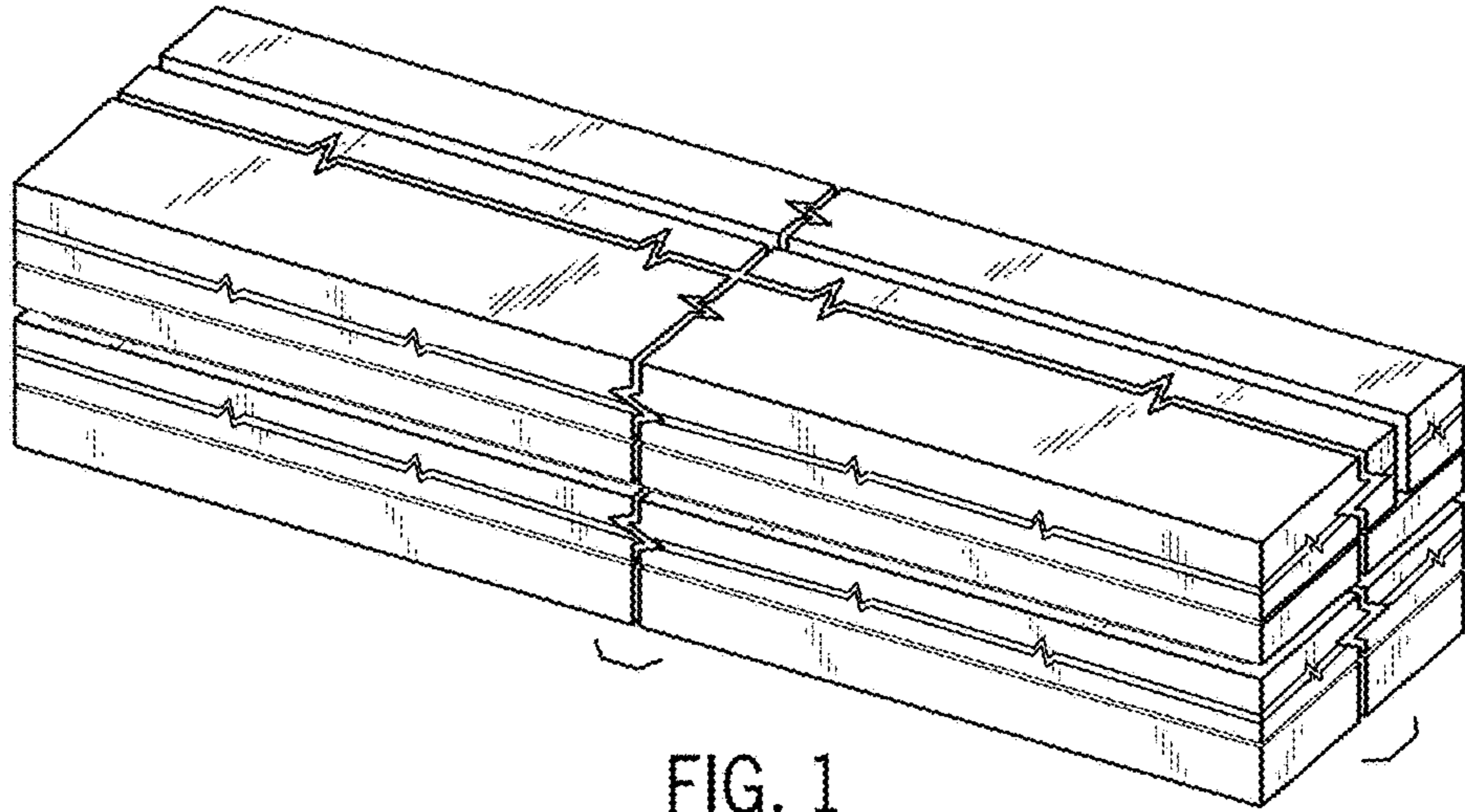


FIG. 1

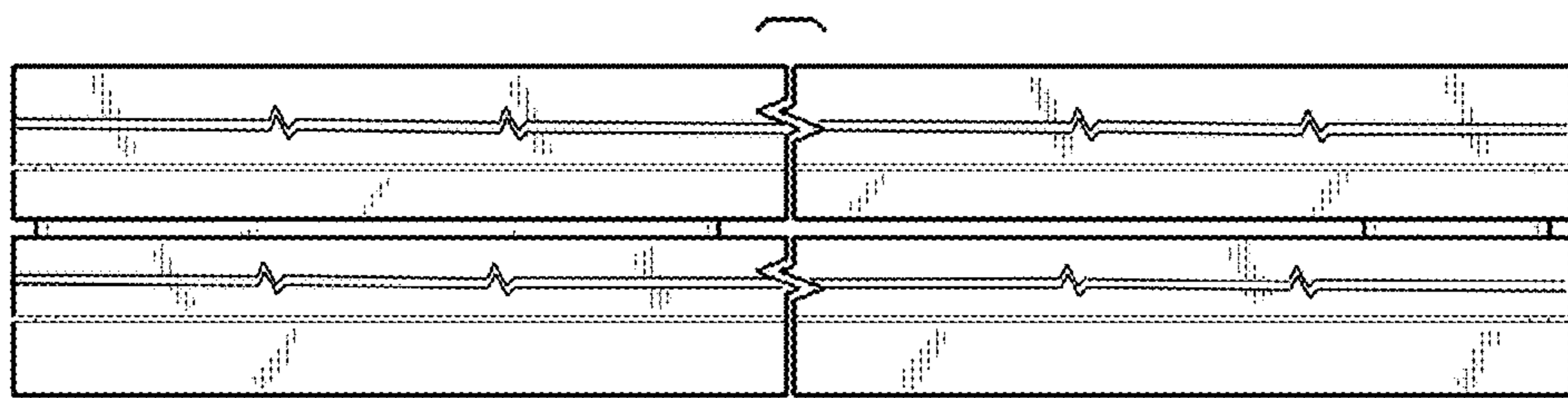


FIG. 2

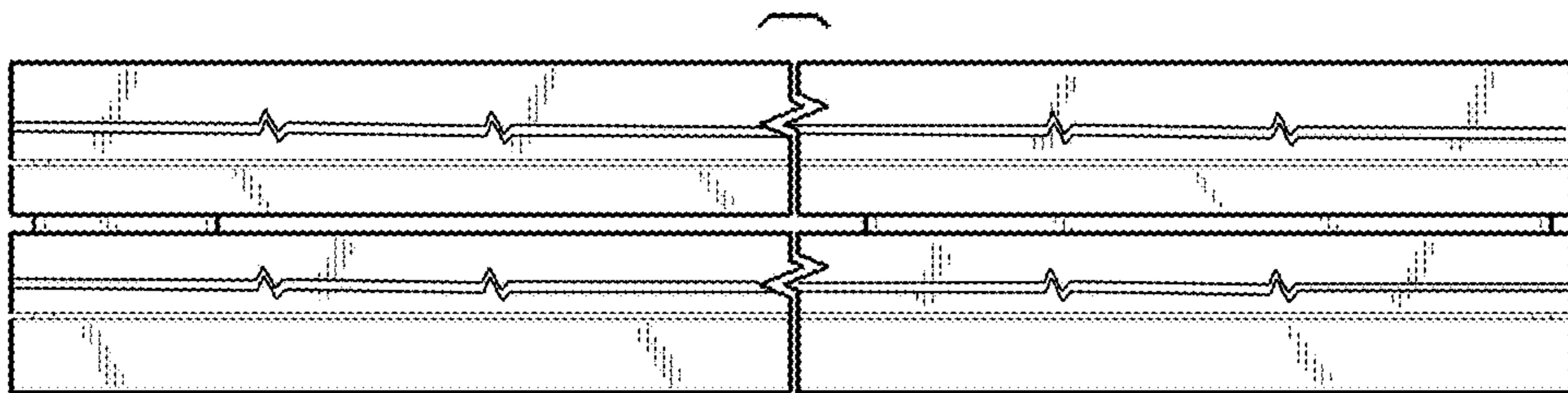


FIG. 3

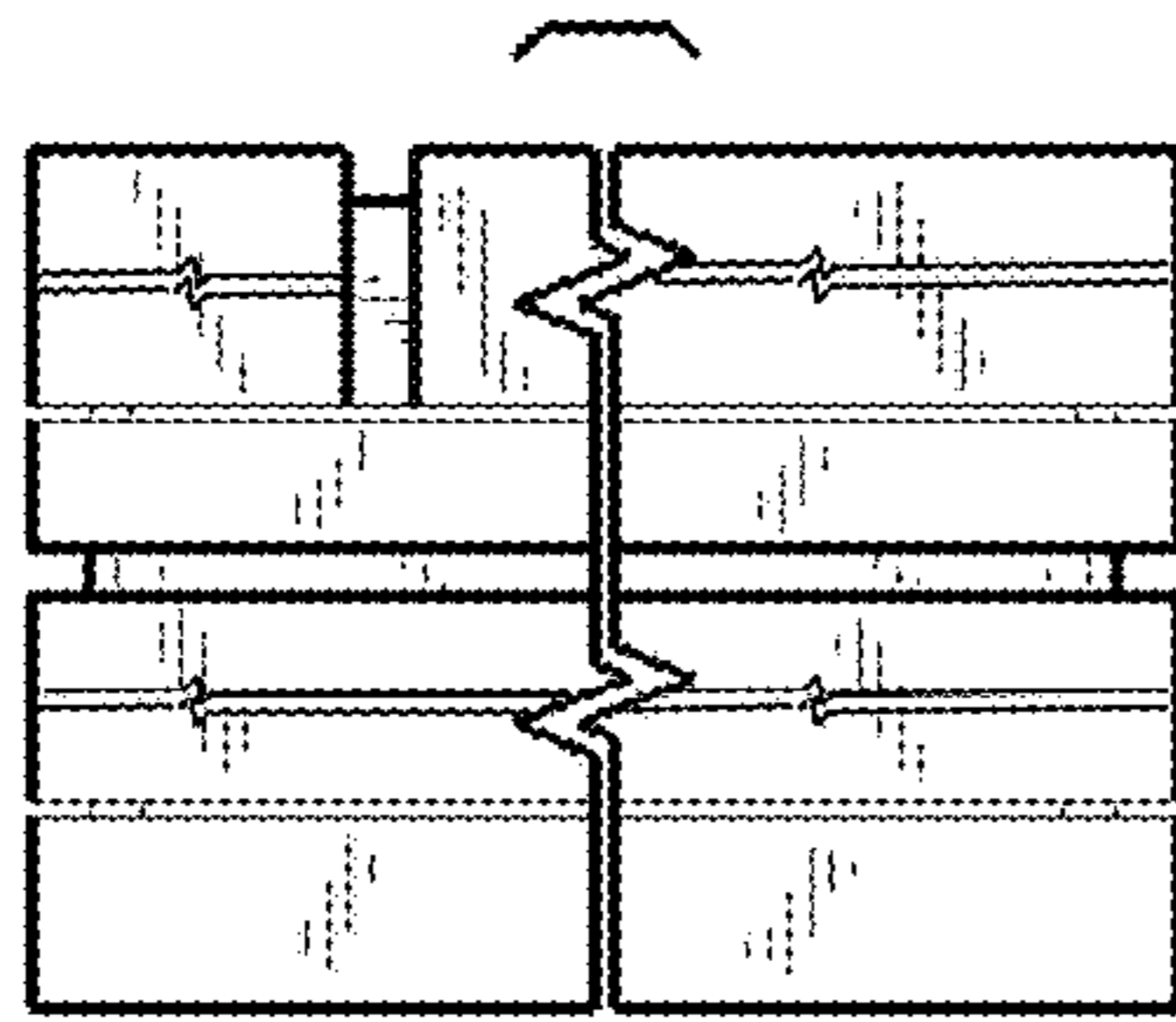


FIG. 4

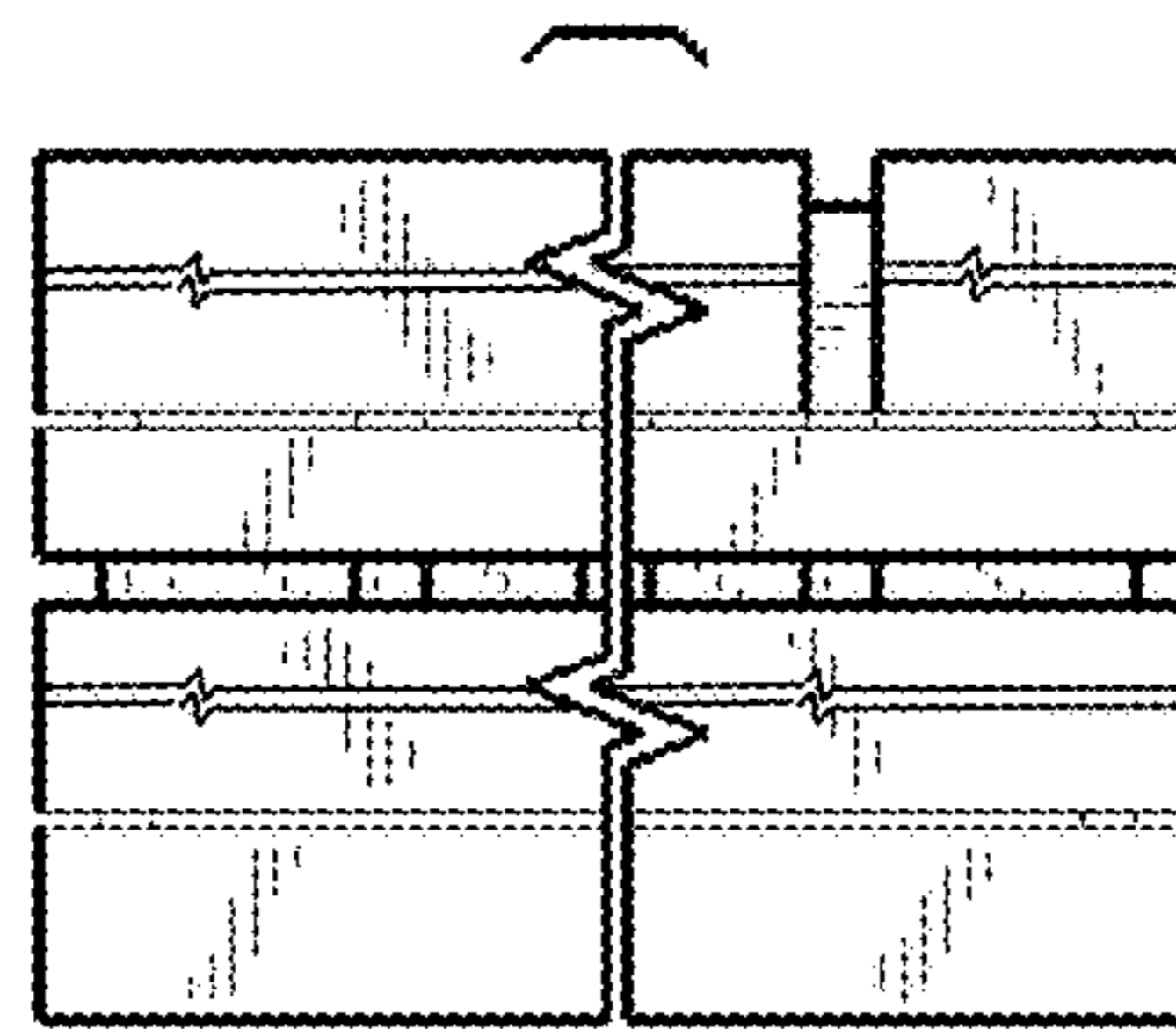


FIG. 5

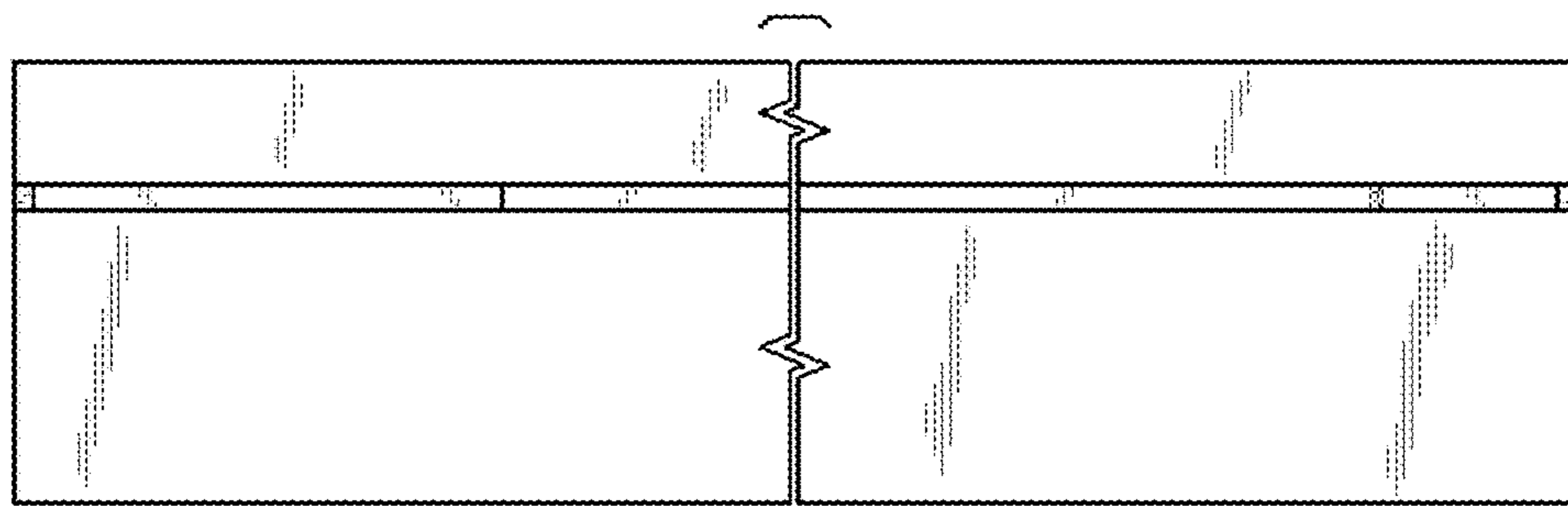


FIG. 6

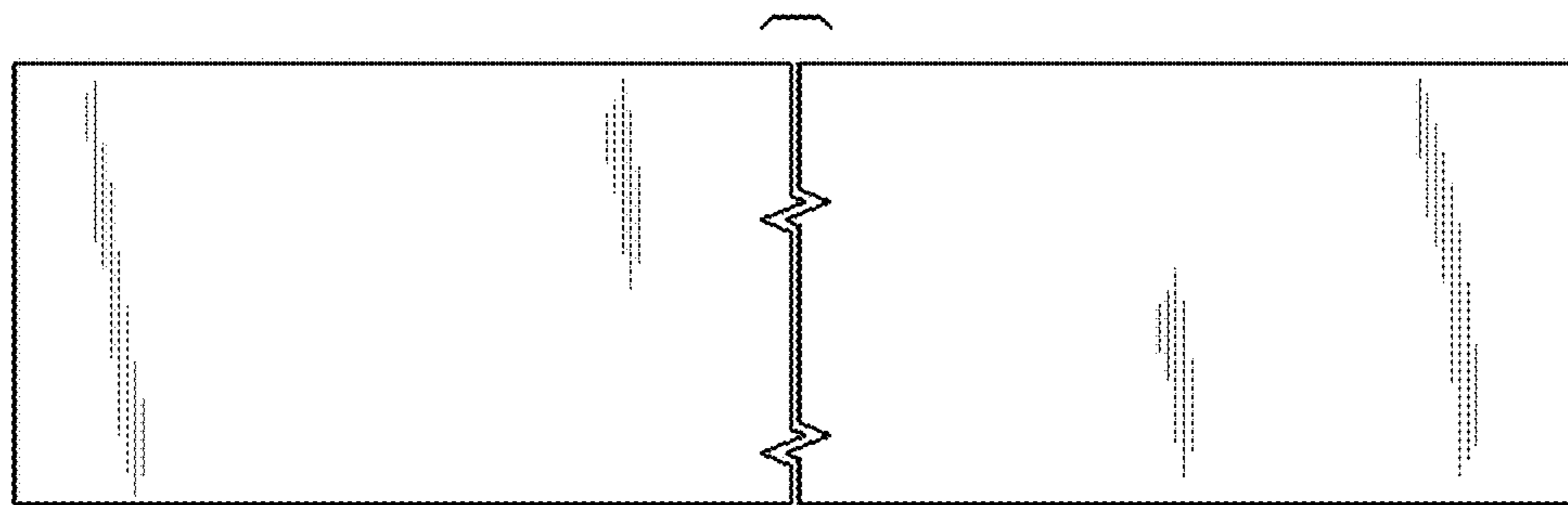


FIG. 7