



US00D844479S

(12) **United States Design Patent**
Noskin

(10) **Patent No.:** **US D844,479 S**

(45) **Date of Patent:** **** Apr. 2, 2019**

(54) **JEWELRY CLASP**

(71) Applicant: **Joshua Noskin**, Frisco, TX (US)

(72) Inventor: **Joshua Noskin**, Frisco, TX (US)

(**) Term: **15 Years**

(21) Appl. No.: **29/624,976**

(22) Filed: **Nov. 6, 2017**

(51) **LOC (11) Cl.** **11-01**

(52) **U.S. Cl.**
USPC **D11/87**

(58) **Field of Classification Search**
USPC D11/1-2, 7, 40-44, 46-49, 53, 56, 57,
D11/59-61, 63, 65, 79-83, 86-87, 89-90,
D11/91-92, 99, 101, 106, 114-116,
D11/200-201; D8/382
CPC A44C 5/2009; A44C 5/2057; A44C 5/208
See application file for complete search history.

(56) **References Cited**

U.S. PATENT DOCUMENTS

1,199,690 A * 9/1916 Gillan F16B 5/06
24/581.1
4,398,322 A * 8/1983 Ewen F16B 21/04
24/595.1

D277,338 S * 1/1985 Cuttler D11/81
D282,648 S * 2/1986 Addington D11/87
D292,385 S * 10/1987 Udelhofen D11/210
D305,412 S * 1/1990 Zemer D11/87
5,457,976 A * 10/1995 Stillwagon A44B 15/002
24/3.6
D377,462 S * 1/1997 Kassardjian D11/87
D567,704 S * 4/2008 Martin D11/87

* cited by examiner

Primary Examiner — Zenia I Bennett

(74) *Attorney, Agent, or Firm* — Dunlap Bennett & Ludwig PLLC; Brendan E. Squire

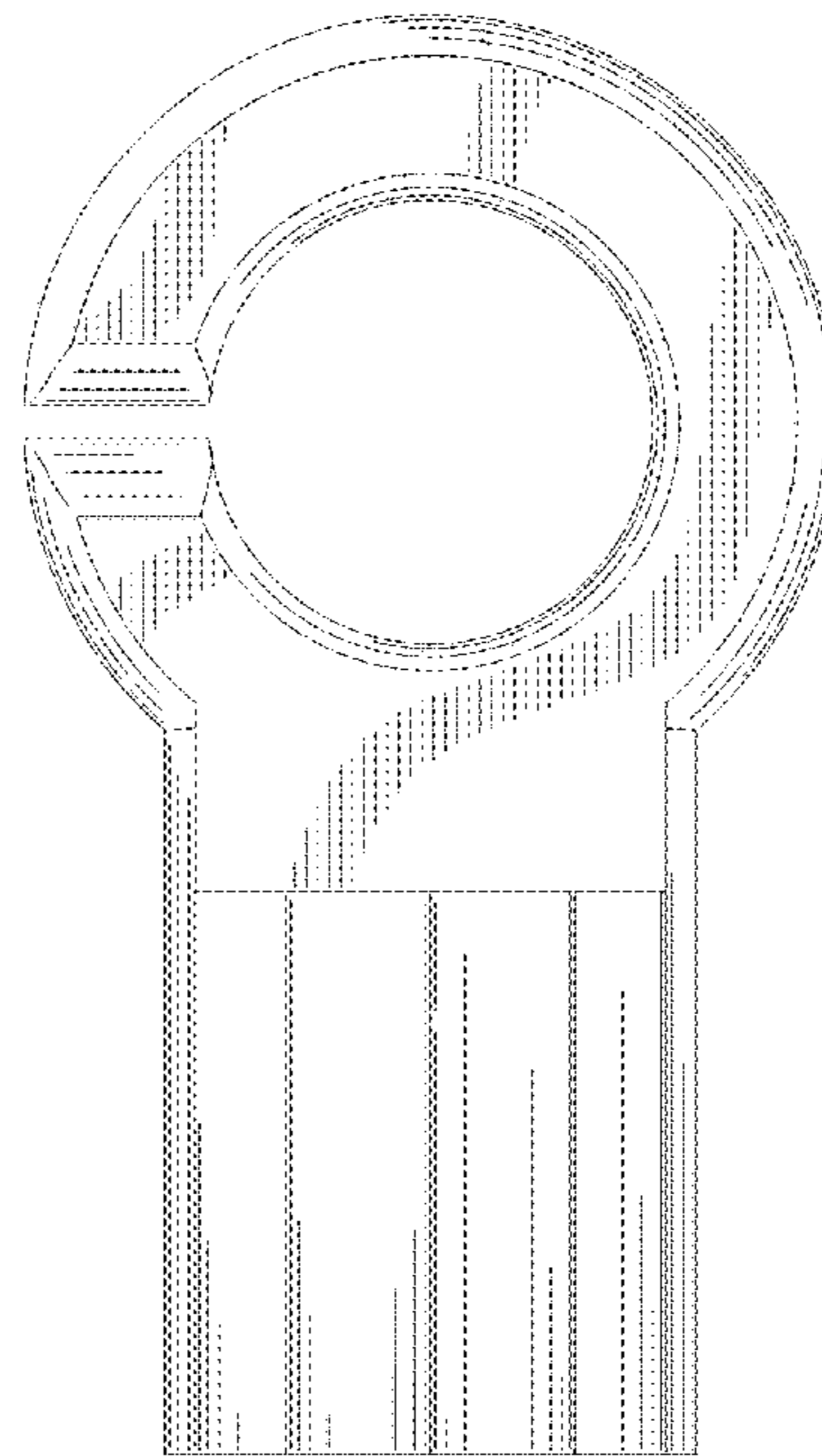
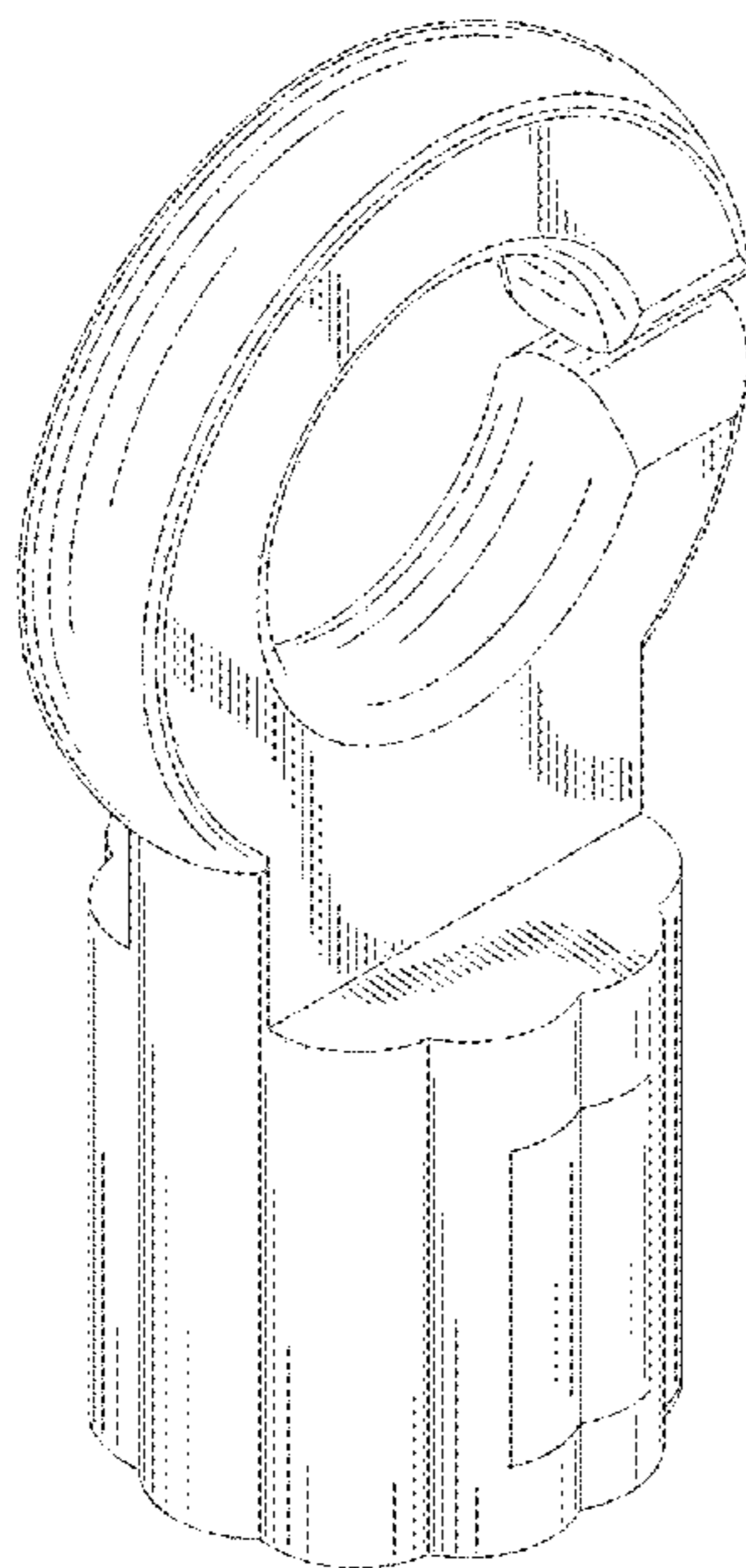
(57) **CLAIM**

The ornamental design for a jewelry clasp, as shown and described.

DESCRIPTION

FIG. 1 is a perspective view of a jewelry clasp showing my new design;
FIG. 2 is a left side elevation view thereof;
FIG. 3 is a front elevation view thereof;
FIG. 4 is a right side elevation view thereof;
FIG. 5 is a rear elevation view thereof;
FIG. 6 is a top plan view thereof; and,
FIG. 7 is a bottom plan view thereof.
The broken lines in FIG. 7 showing the jewelry clasp illustrates boundary and forms no part of the claim.

1 Claim, 4 Drawing Sheets



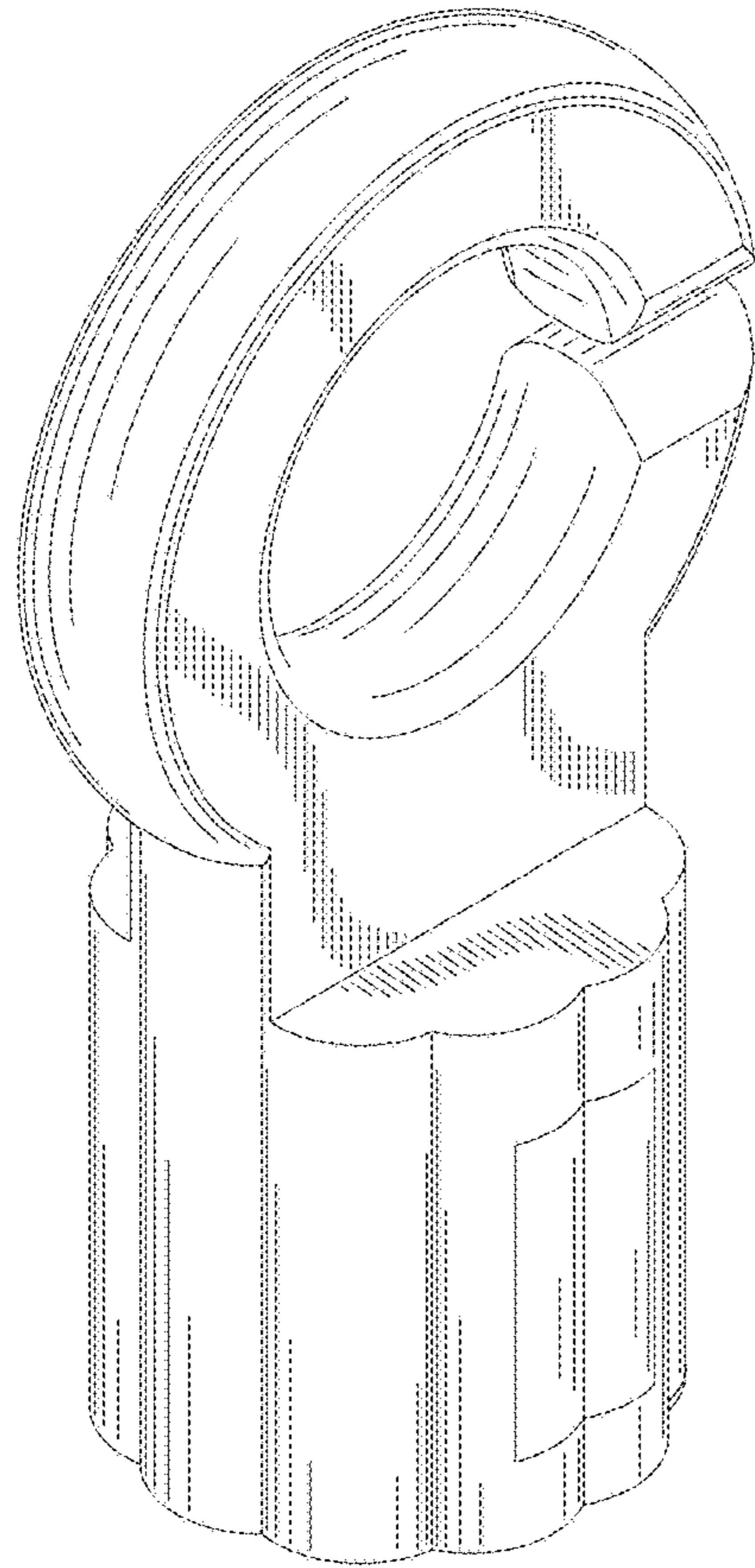


FIG. 1

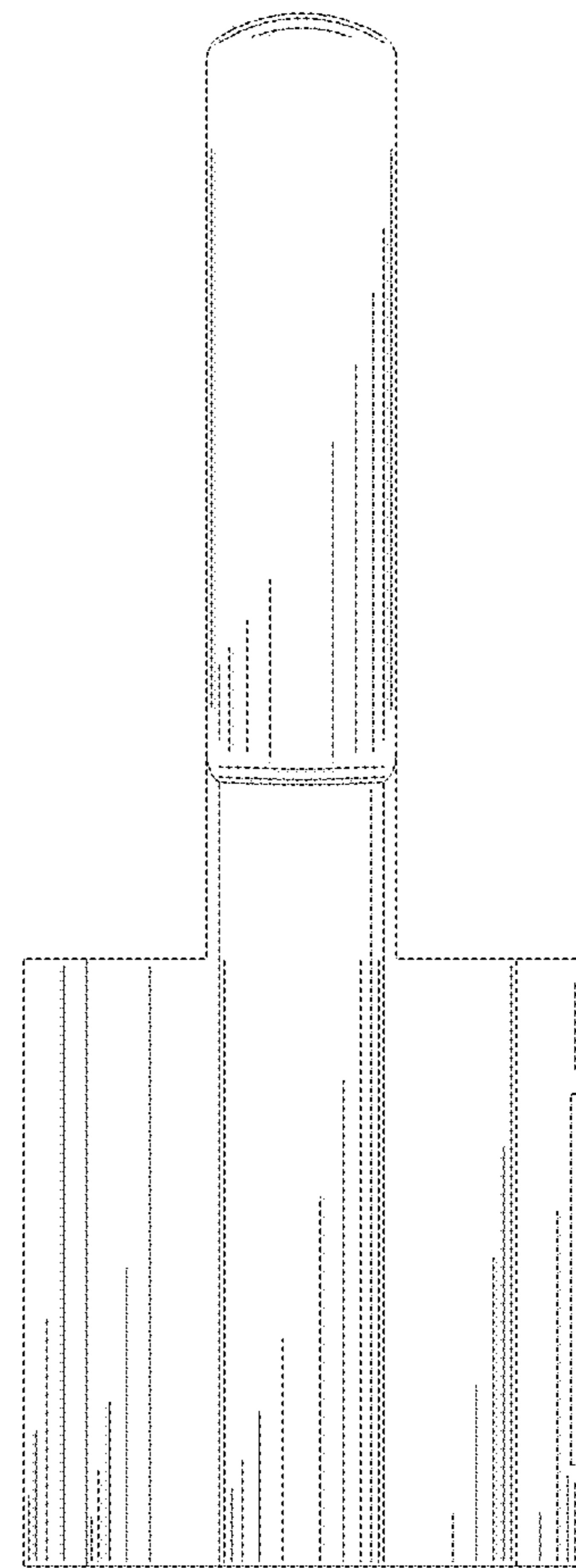


FIG. 2

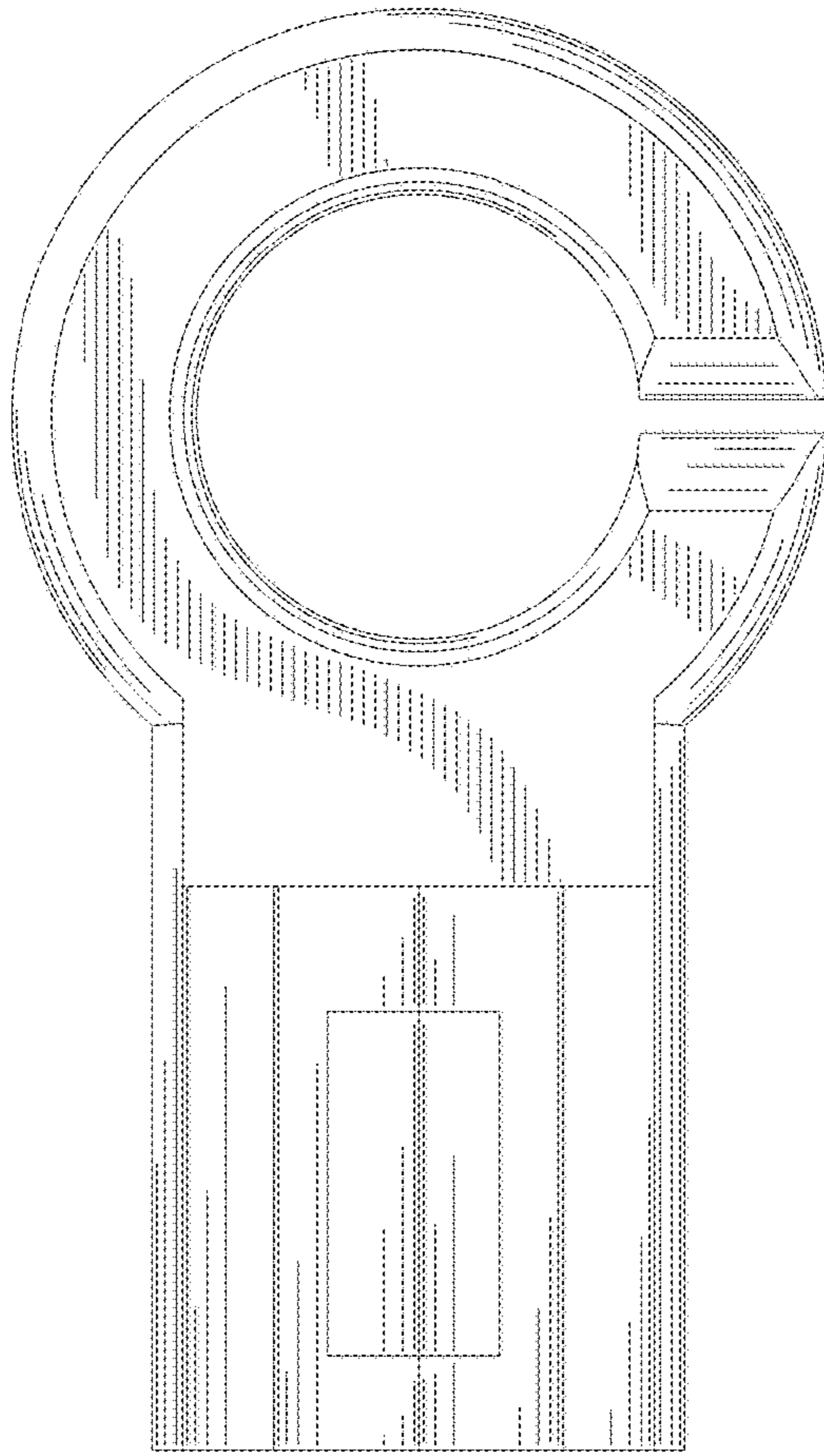


FIG.3

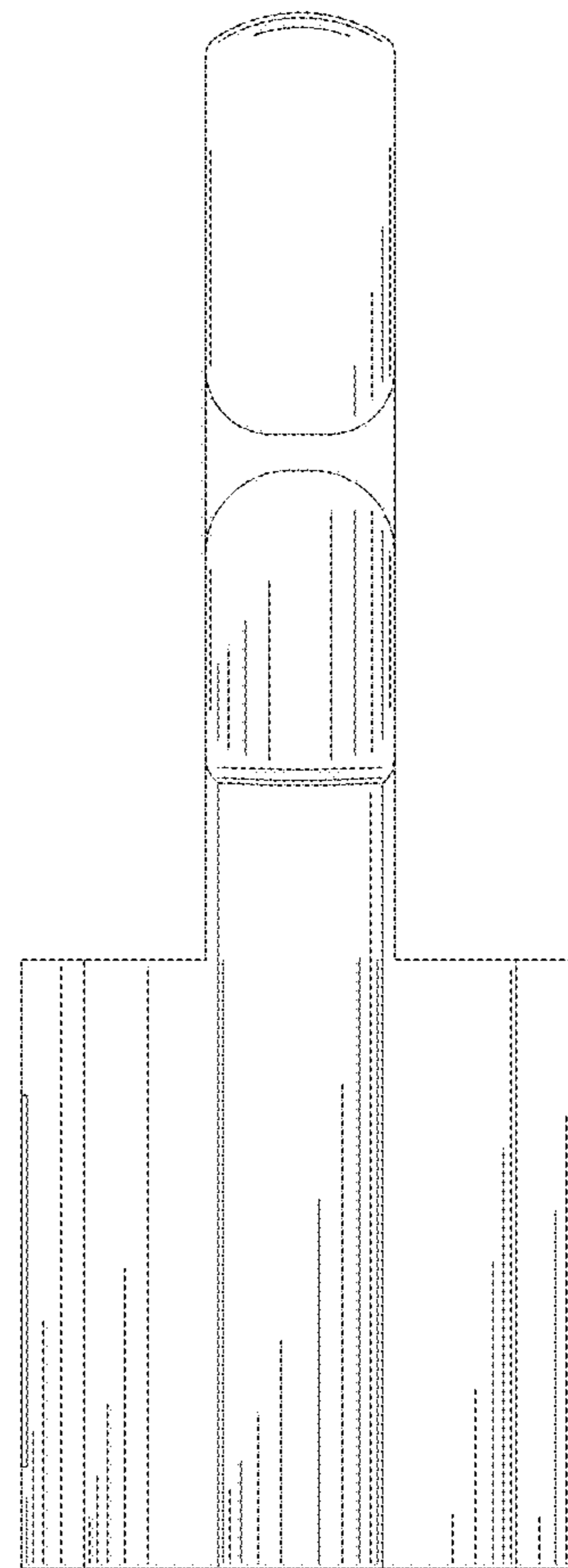


FIG.4

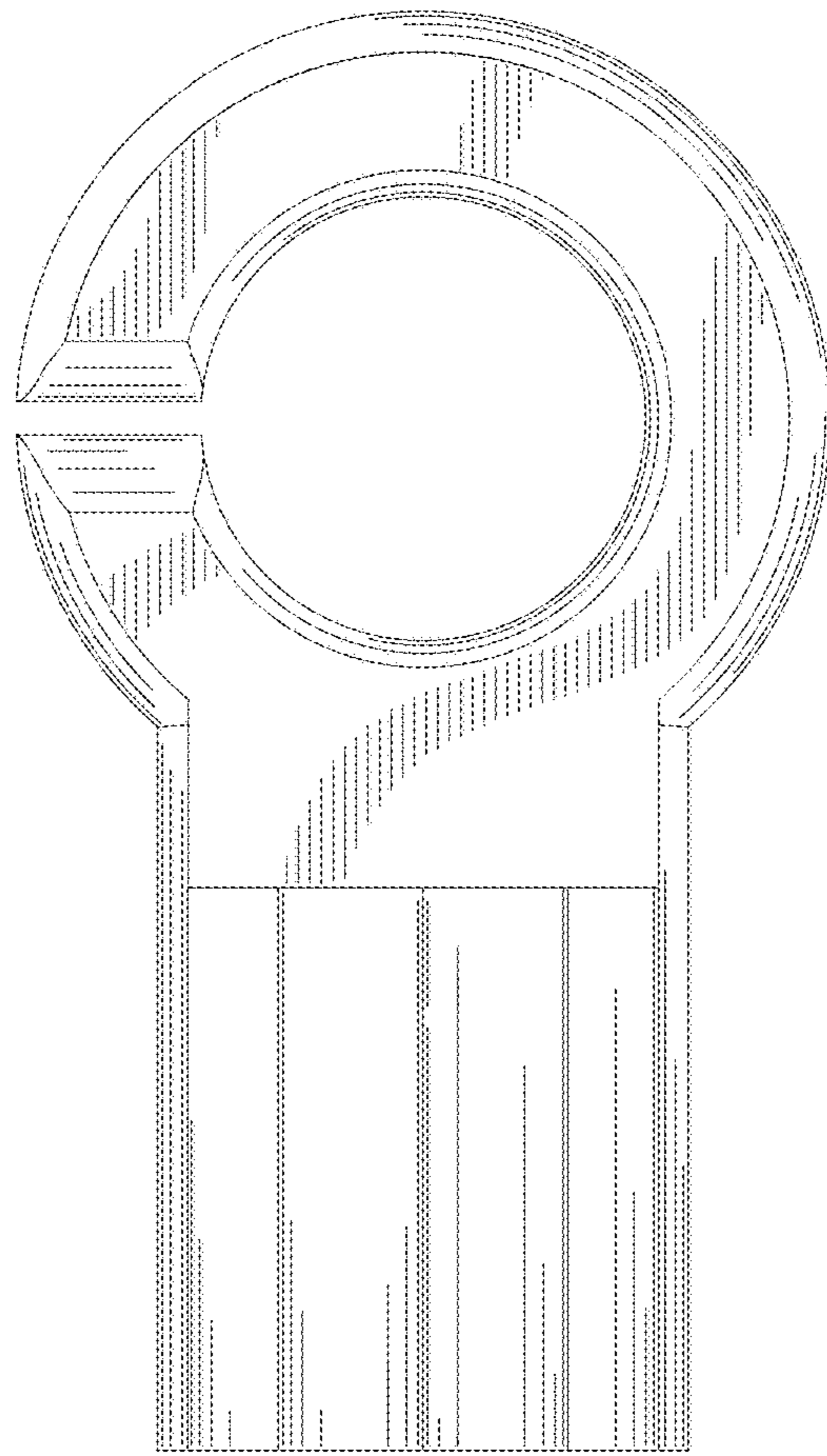


FIG. 5

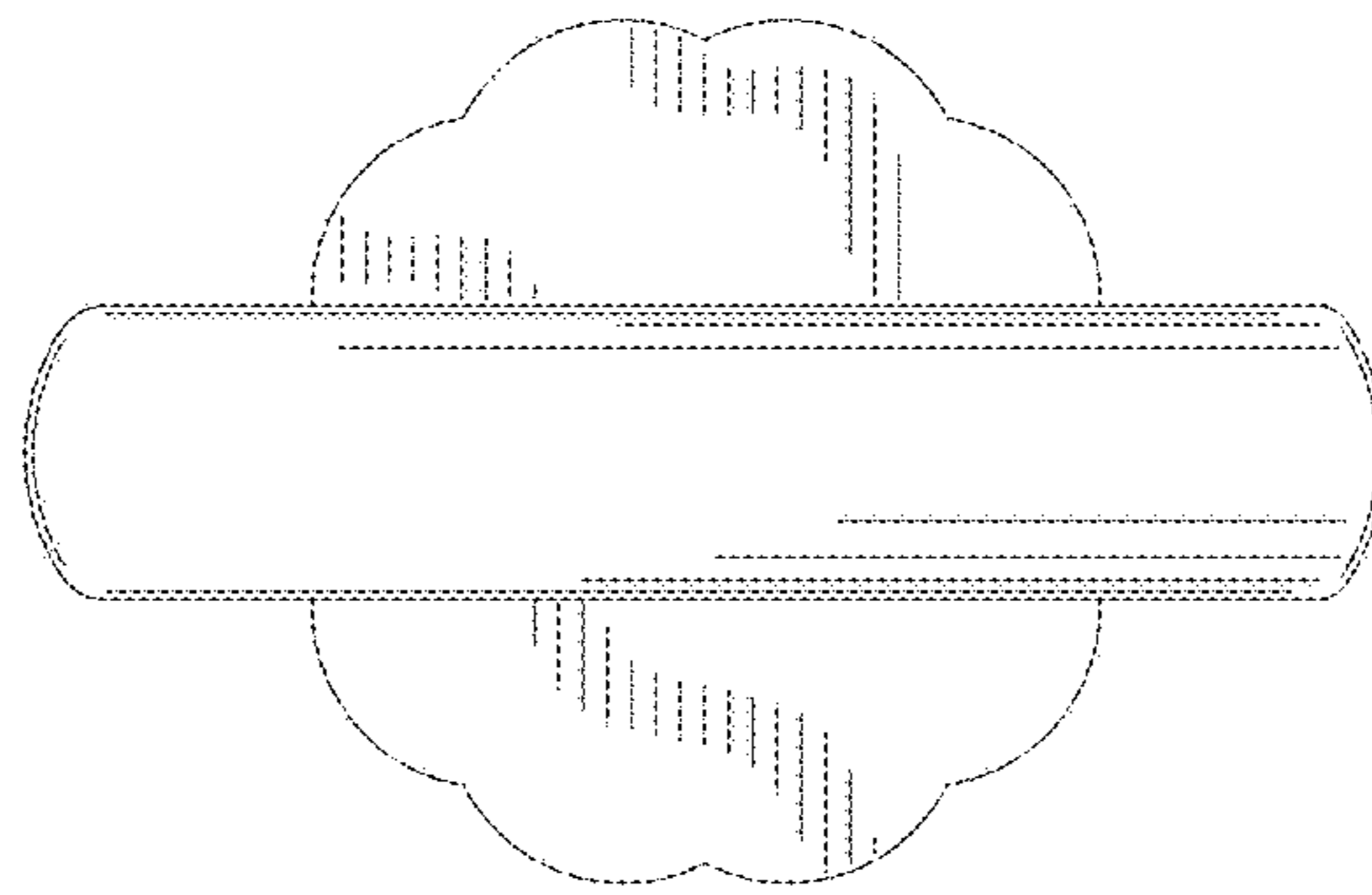


FIG. 6

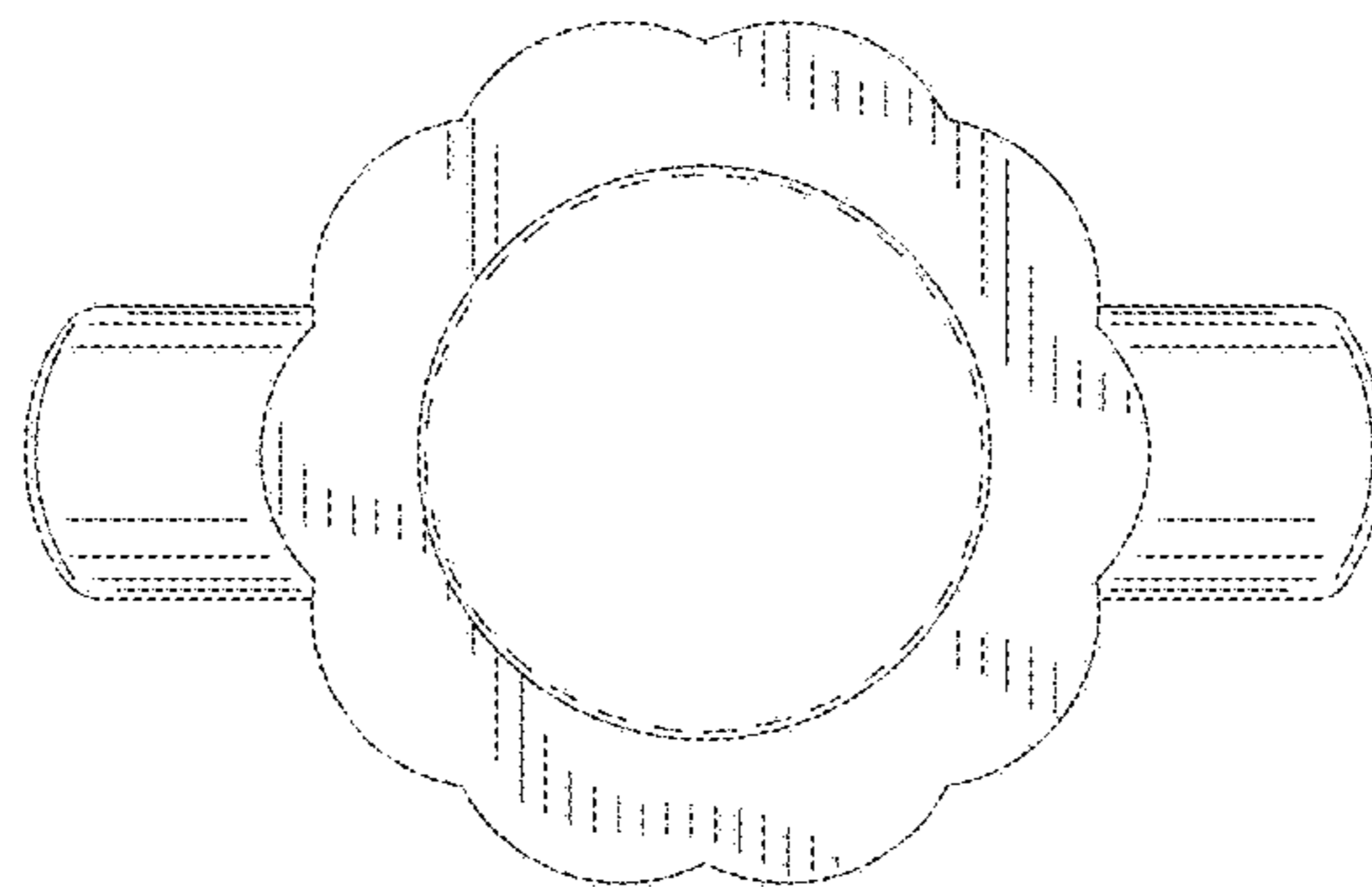


FIG. 7