

US00D844477S

(12) **United States Design Patent** (10) **Patent No.:** **US D844,477 S**
Covelli et al. (45) **Date of Patent:** **** Apr. 2, 2019**

- (54) **LIGHT SIGNAL DEVICE**
- (71) Applicant: **Sirius Signal, LLC**, Encinitas, CA (US)
- (72) Inventors: **Anthony W. Covelli**, La Costa, CA (US); **Robert B. Simons, Jr.**, San Diego, CA (US)
- (73) Assignee: **Sirius Signal, LLC**
- (**) Term: **15 Years**
- (21) Appl. No.: **29/638,591**
- (22) Filed: **Feb. 28, 2018**

D318,817 S 8/1991 Sinrod
 D320,950 S * 10/1991 Bressler D10/107
 D451,044 S 11/2001 Campman
 (Continued)

OTHER PUBLICATIONS

Office action of corresponding U.S. Appl. No. 16/004,987, dated Sep. 20, 2018.

Primary Examiner — George D. Kirschbaum
(74) *Attorney, Agent, or Firm* — The Belles Group, P.C.

(57) **CLAIM**

We claim the ornamental design for a light signal device, as shown and described.

DESCRIPTION

FIG. 1 is a top perspective view of a light signal device according to the present invention;
 FIG. 2 is a close-up view of area II of FIG. 1;
 FIG. 3 is a bottom perspective view thereof;
 FIG. 4 is a close-up view of area IV of FIG. 3;
 FIG. 5 is a front plan view thereof;
 FIG. 6 is a close-up view of area VI of FIG. 5;
 FIG. 7 is a rear plan view thereof;
 FIG. 8 is a close-up view of area VIII of FIG. 7;
 FIG. 9 is a right-side plan view thereof, the left-side plan view being a mirror-image of the right-side plan view;
 FIG. 10 is a close-up view of area X of FIG. 9;
 FIG. 11 is an enlarged top plan view thereof; and,
 FIG. 12 is an enlarged bottom plan view thereof.

The broken lines in the drawings formed by a series of spaced apart dots illustrate portions of the article that form no part of the claimed design. The broken lines in the drawings formed by a dash-dot-dash sequence illustrate an unclaimed boundary. The broken line box shown in FIGS. 1, 3, 5, 7, and 9 surrounds a portion of the article that is enlarged in the subsequent view. Only portions of the broken line box that form a boundary of the enlarged portion of the article are depicted in the enlarged views.

Related U.S. Application Data

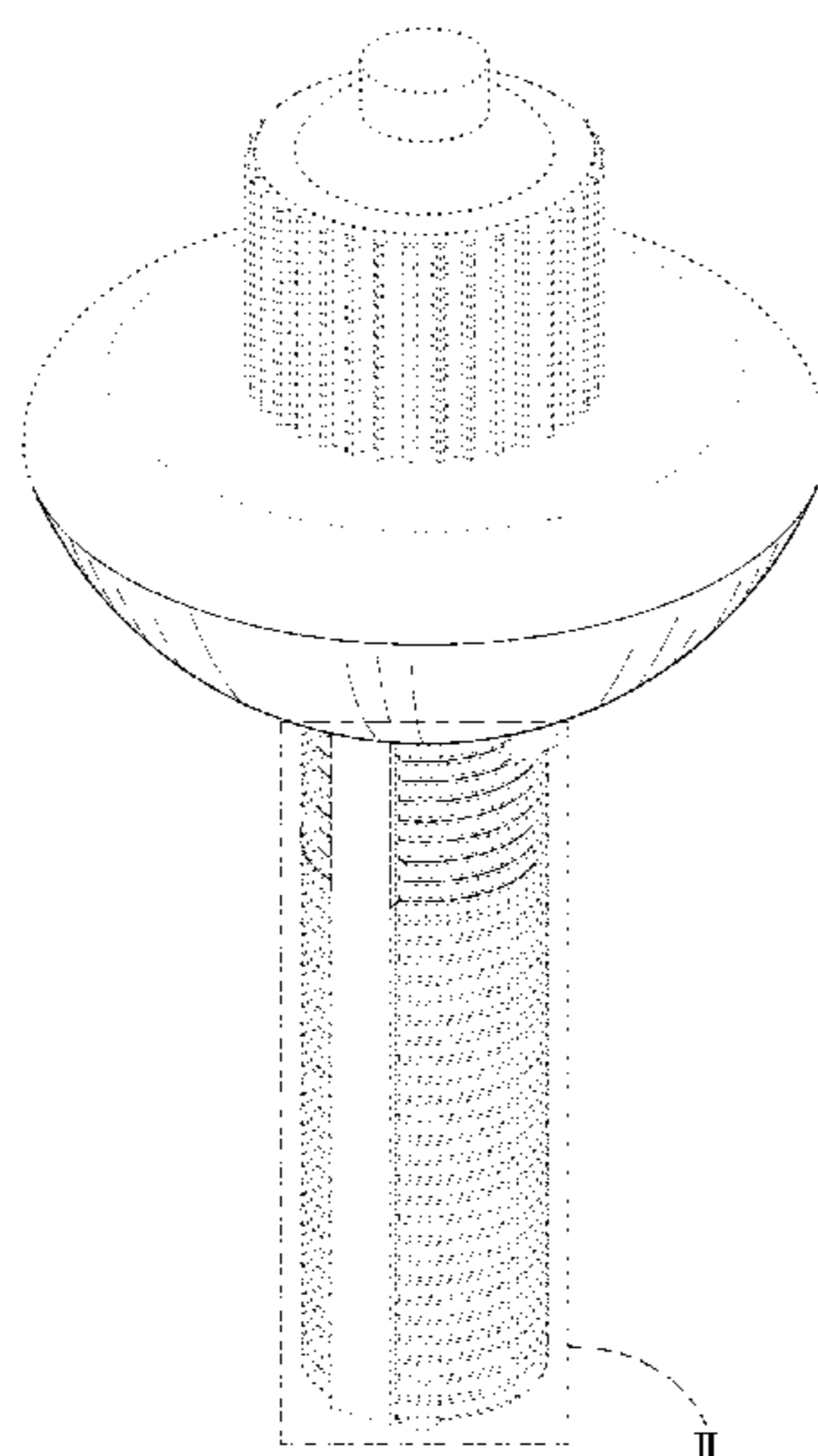
- (63) Continuation of application No. 29/595,834, filed on Mar. 2, 2017, now Pat. No. Des. 811,920, which is a continuation of application No. 29/557,241, filed on Mar. 7, 2016, now Pat. No. Des. 784,175.
- (51) **LOC (11) Cl.** **10-05**
- (52) **U.S. Cl.**
 USPC **D10/114.1; D10/107**
- (58) **Field of Classification Search**
 USPC D10/107, 114.1
 CPC B63B 21/00; B63B 21/50; B63B 51/02
 See application file for complete search history.

References Cited

U.S. PATENT DOCUMENTS

- 1,669,055 A 5/1928 Hogg
- 2,366,929 A 1/1945 Pfeil
- 2,765,481 A 10/1956 Manhart et al.
- 3,818,208 A 6/1974 Kahl
- 4,464,129 A 8/1984 Vancheri et al.
- 4,628,420 A 12/1986 McArthur
- 4,896,620 A * 1/1990 Jones B63B 51/02
 114/253

1 Claim, 11 Drawing Sheets



(56)

References Cited

U.S. PATENT DOCUMENTS

6,712,560	B1 *	3/2004	Cottrell	B63B 21/50
				114/264
7,393,254	B1 *	7/2008	Young	B63B 21/00
				114/266
D608,232	S	1/2010	Neira et al.	
7,859,425	B2	12/2010	Glasa et al.	
2004/0012962	A1	1/2004	Wolf	
2005/0237740	A1	10/2005	Watanabe et al.	
2007/0241887	A1	10/2007	Bertagna et al.	
2008/0247161	A1	10/2008	Hulsey et al.	
2010/0026571	A1	2/2010	Batty	
2011/0075409	A1	3/2011	Zheng	
2011/0089696	A1	4/2011	Davis et al.	

* cited by examiner

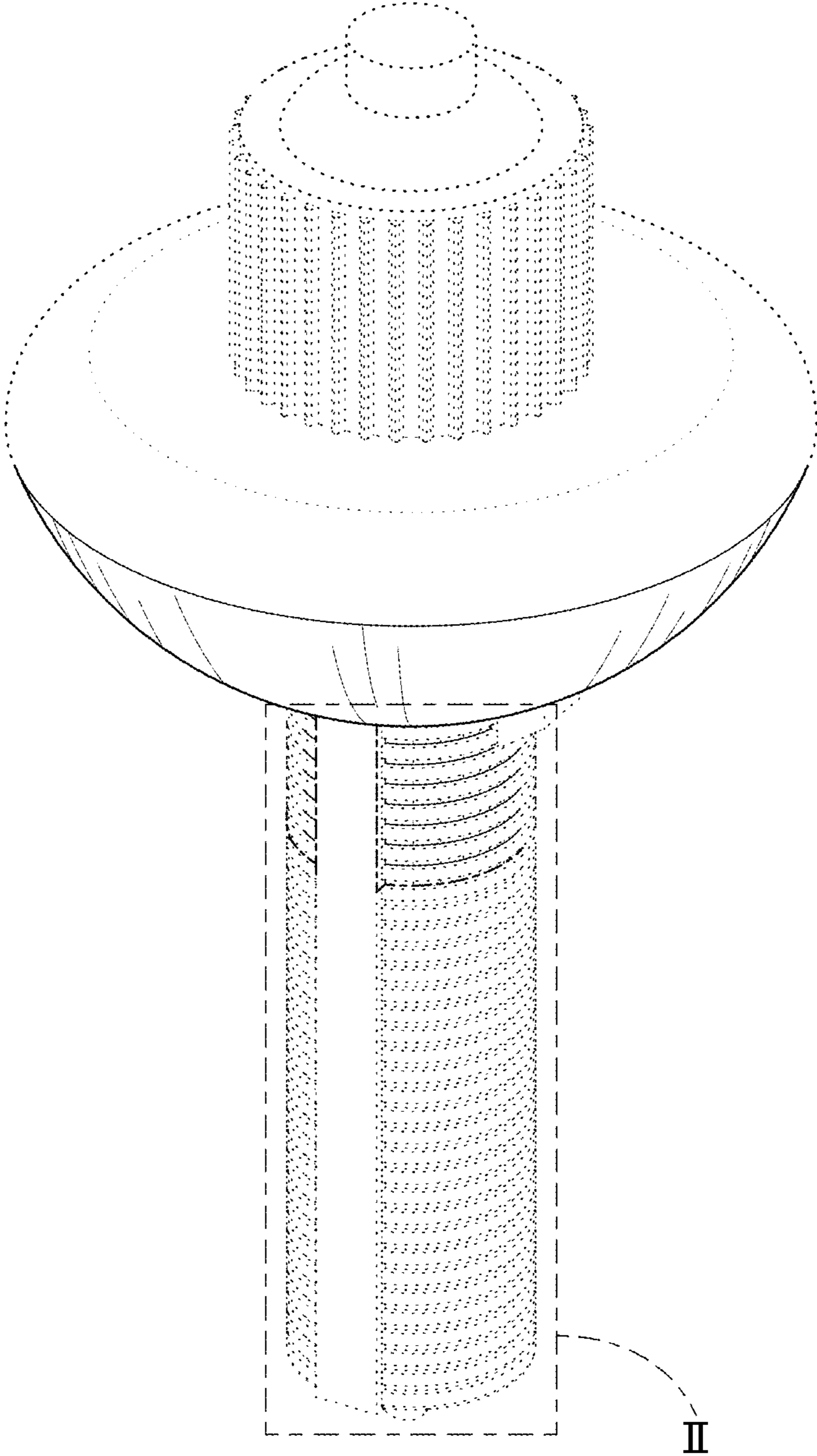


FIG. 1

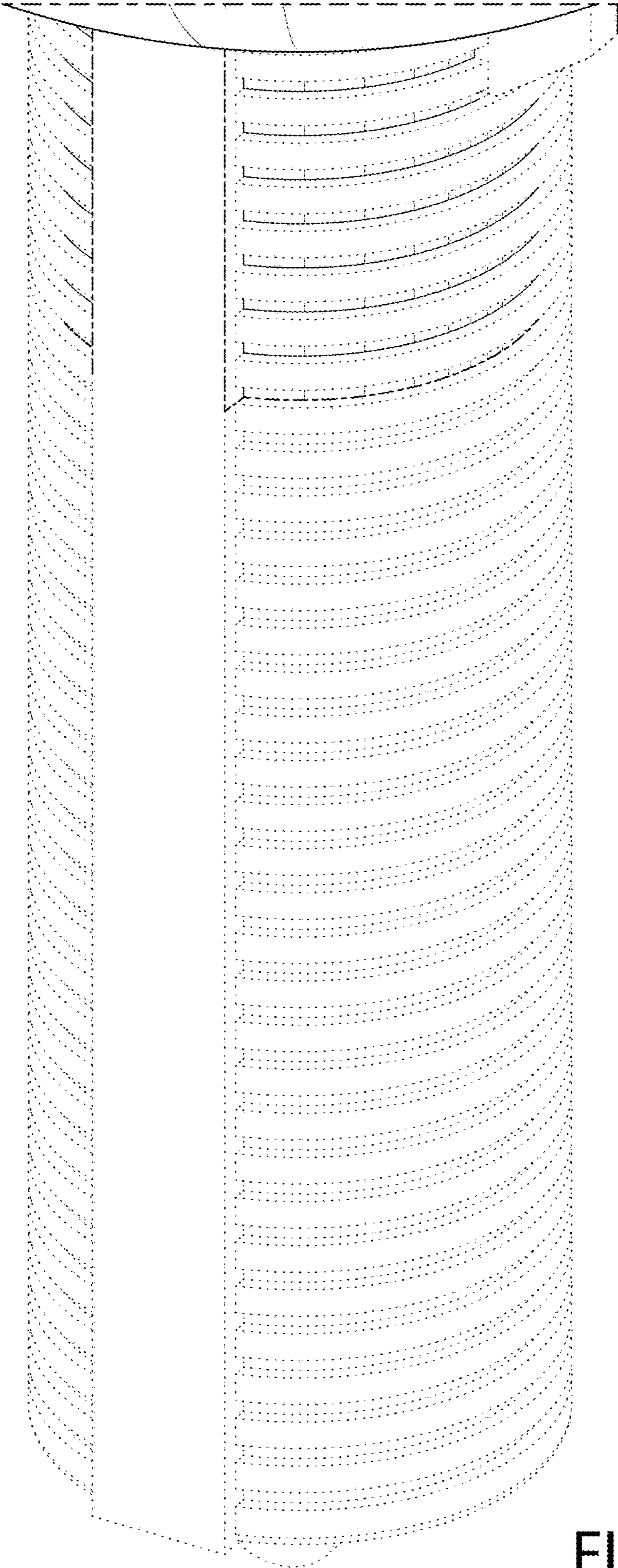


FIG. 2

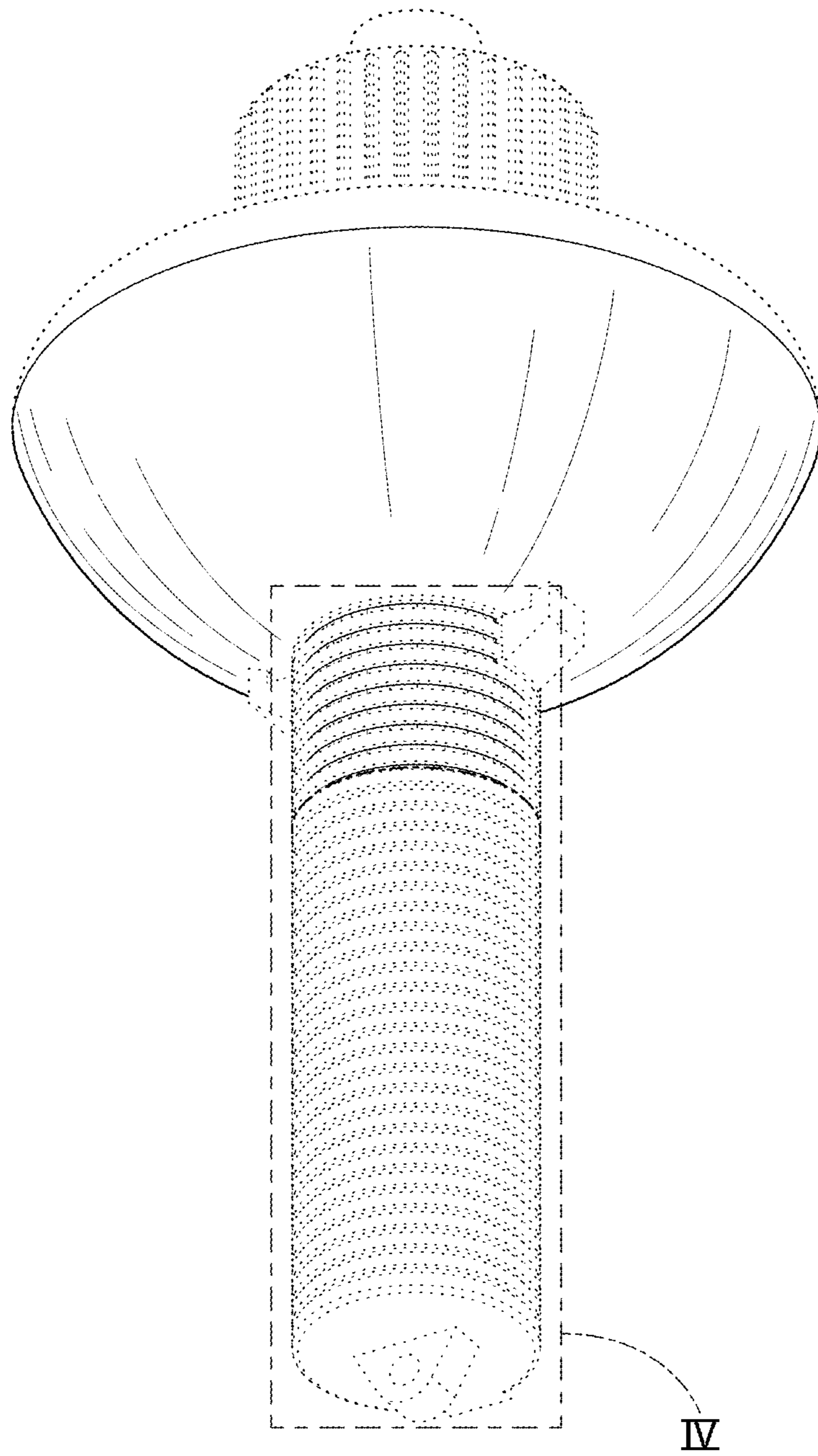


FIG. 3

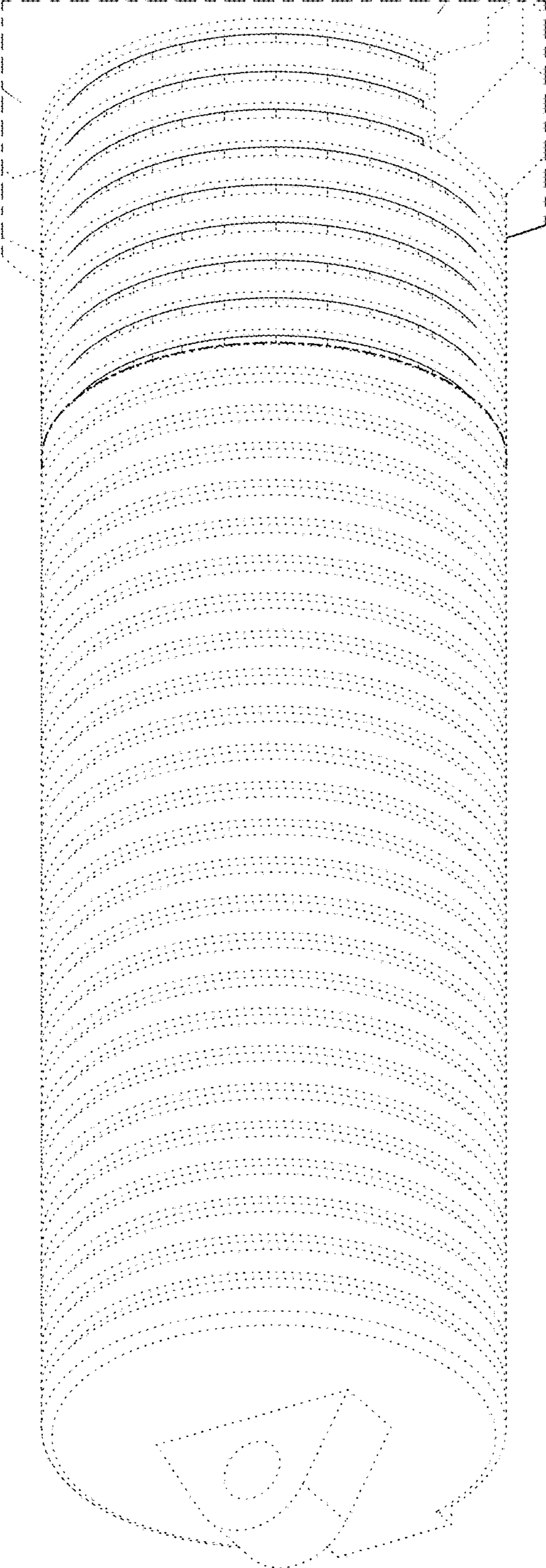


FIG. 4

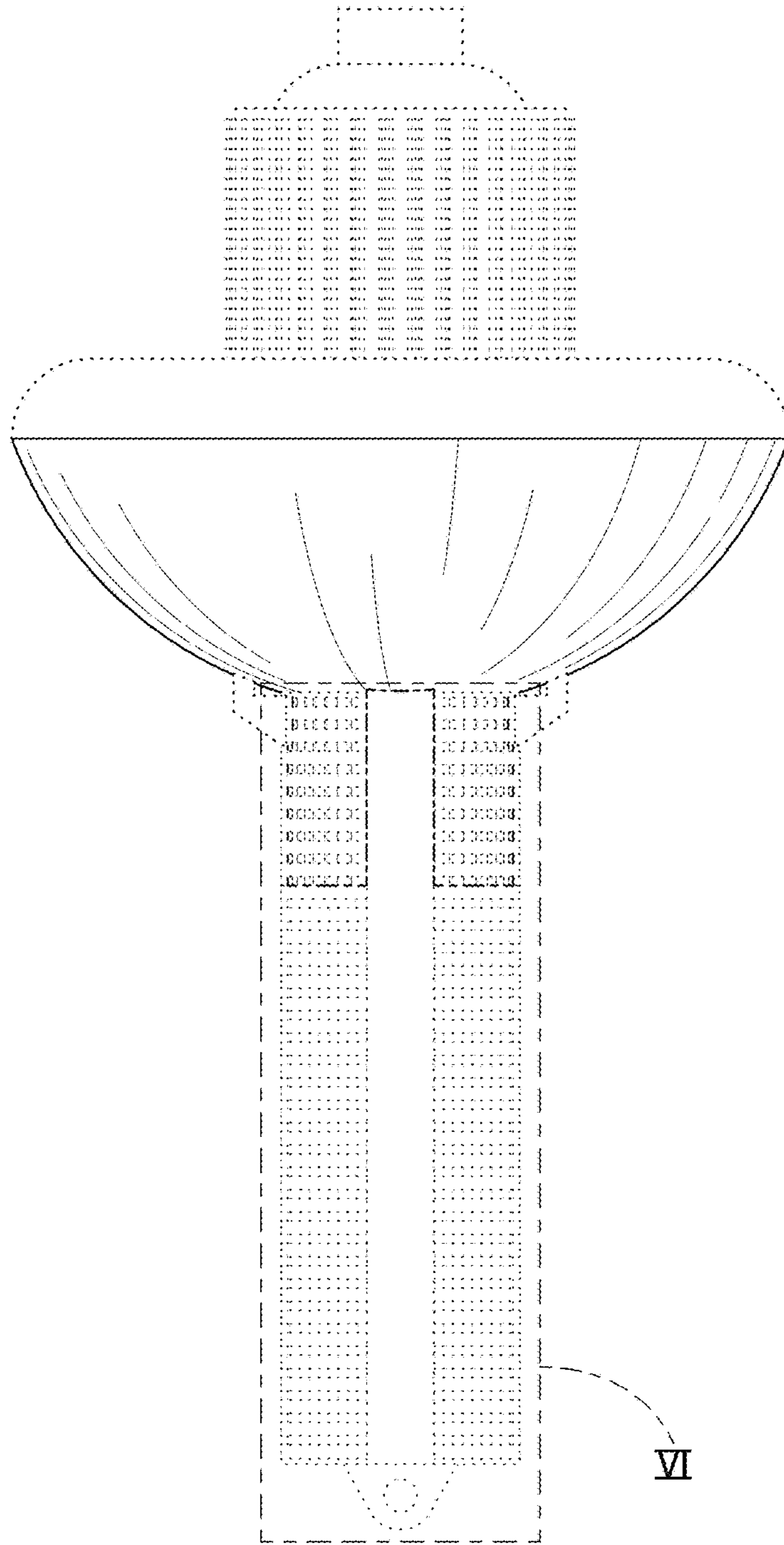


FIG. 5

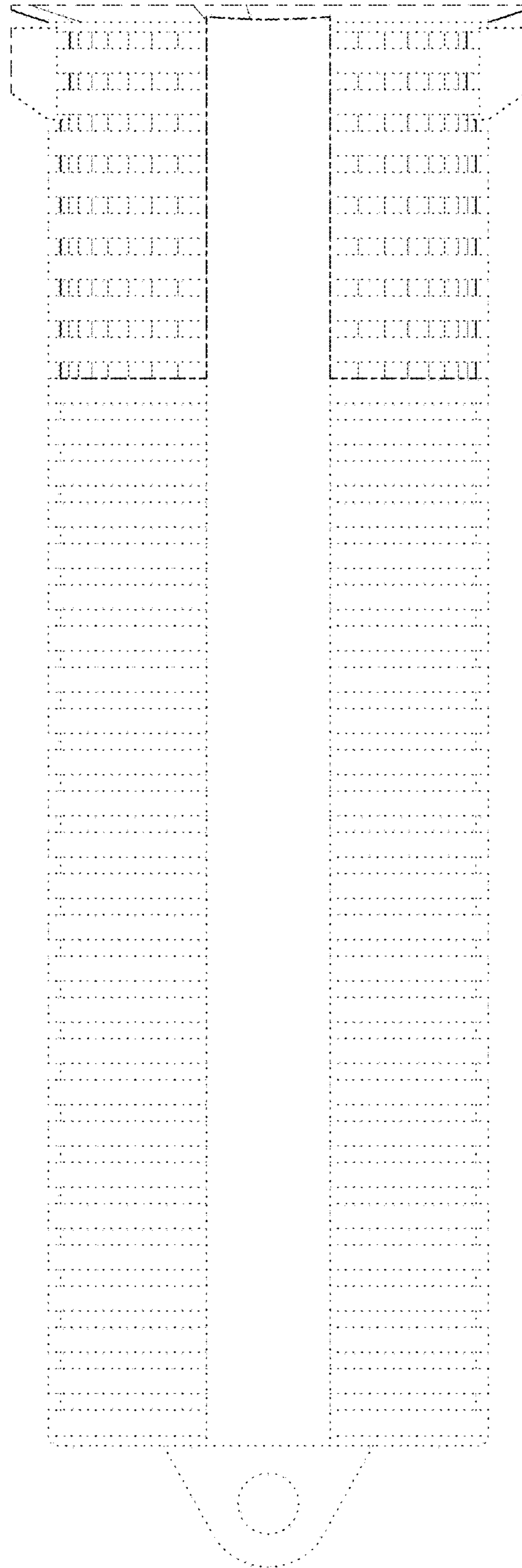


FIG. 6

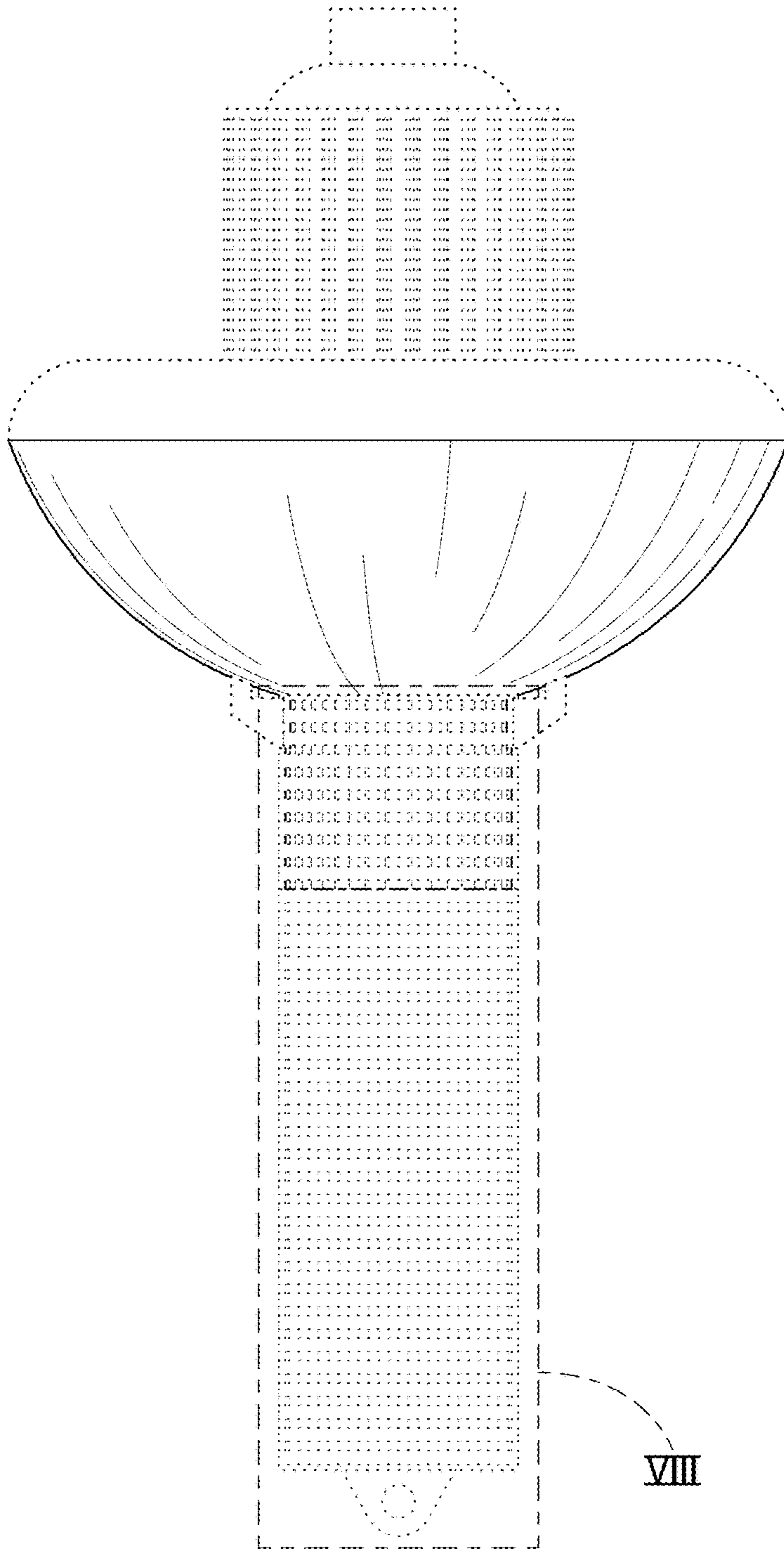


FIG. 7

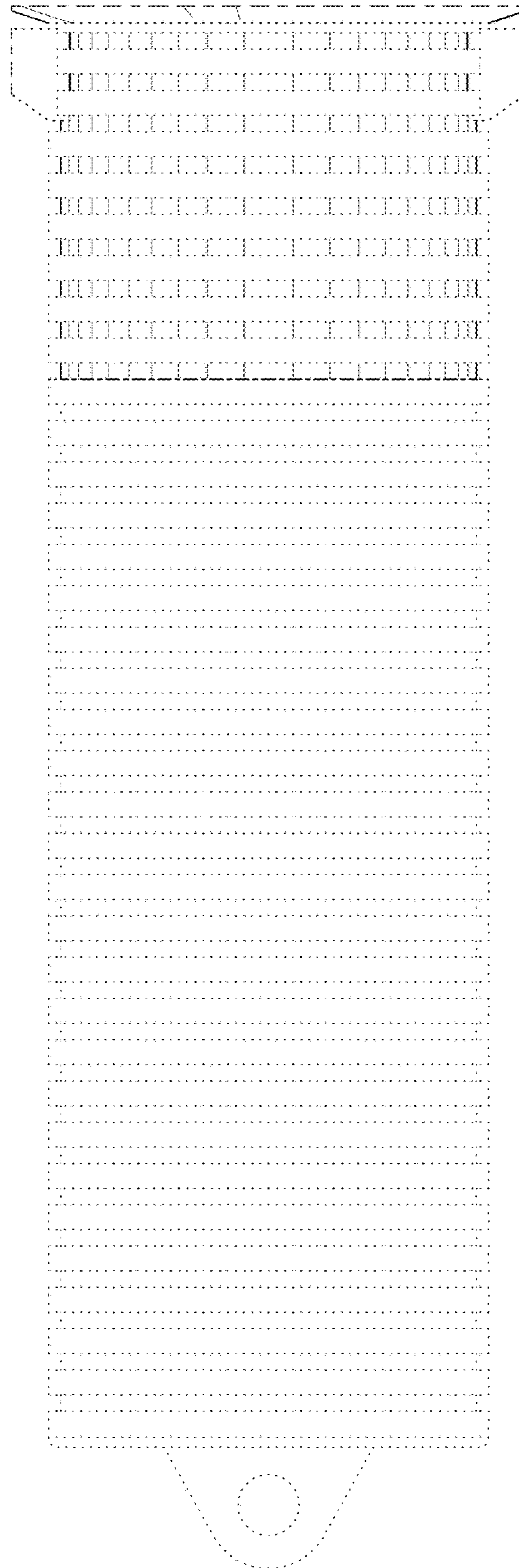


FIG. 8

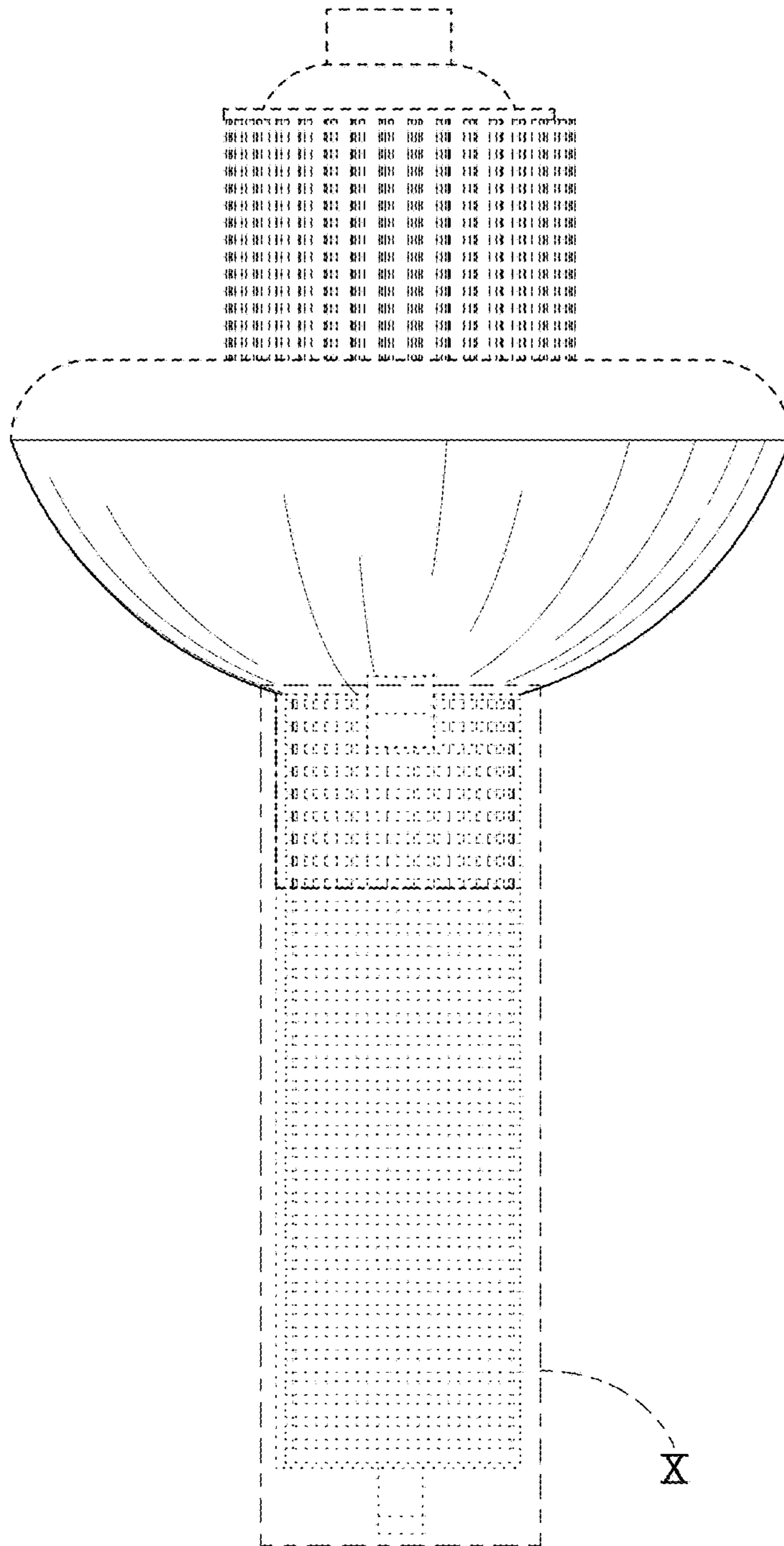


FIG. 9

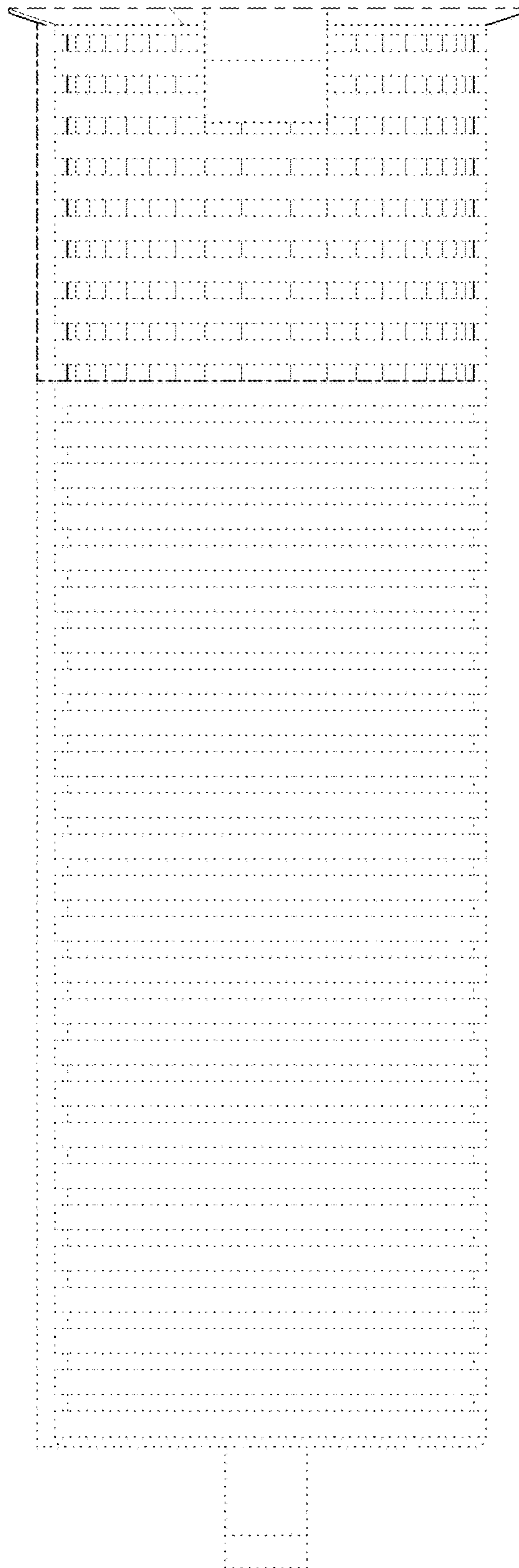


FIG. 10

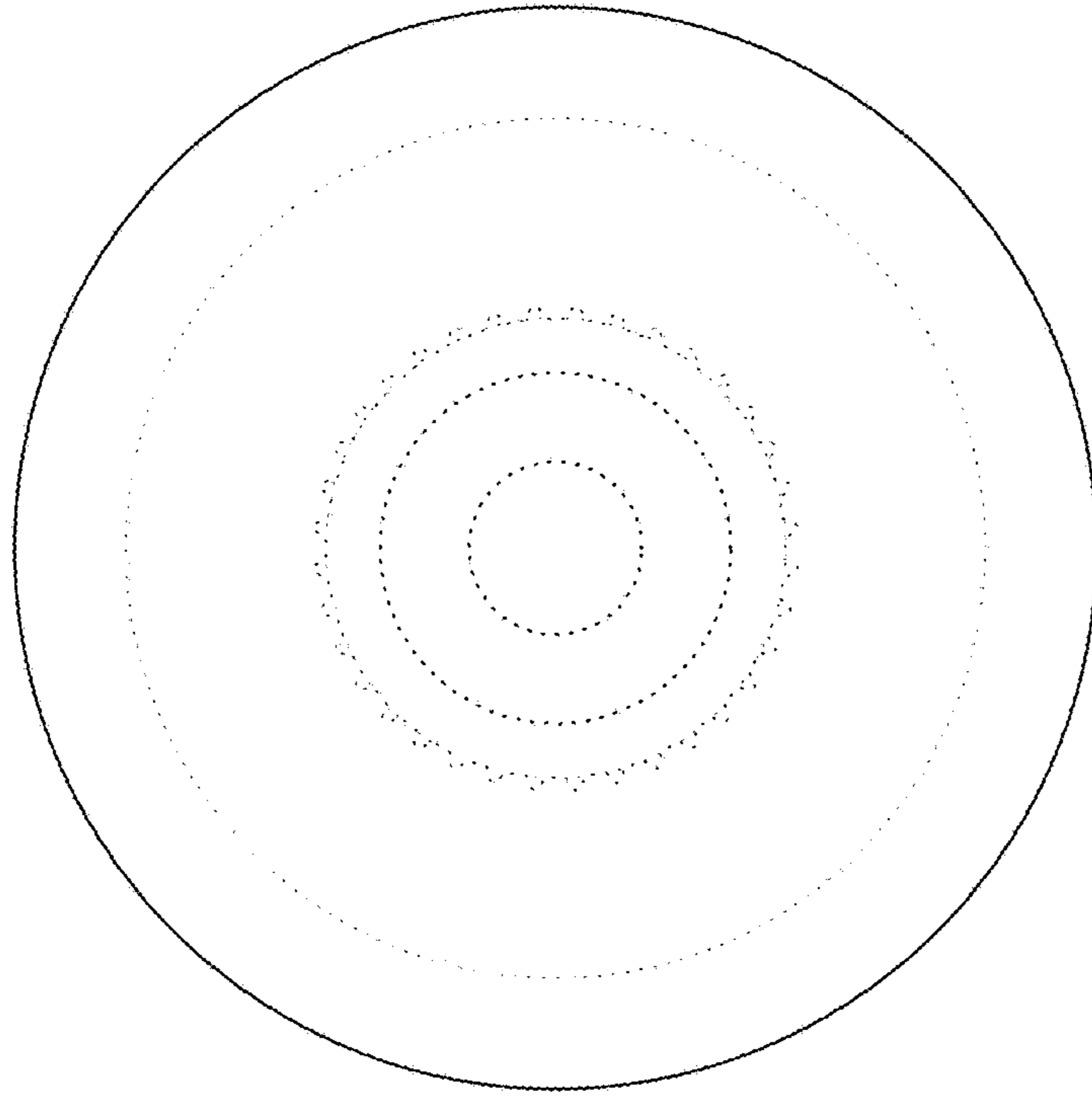


FIG. 11

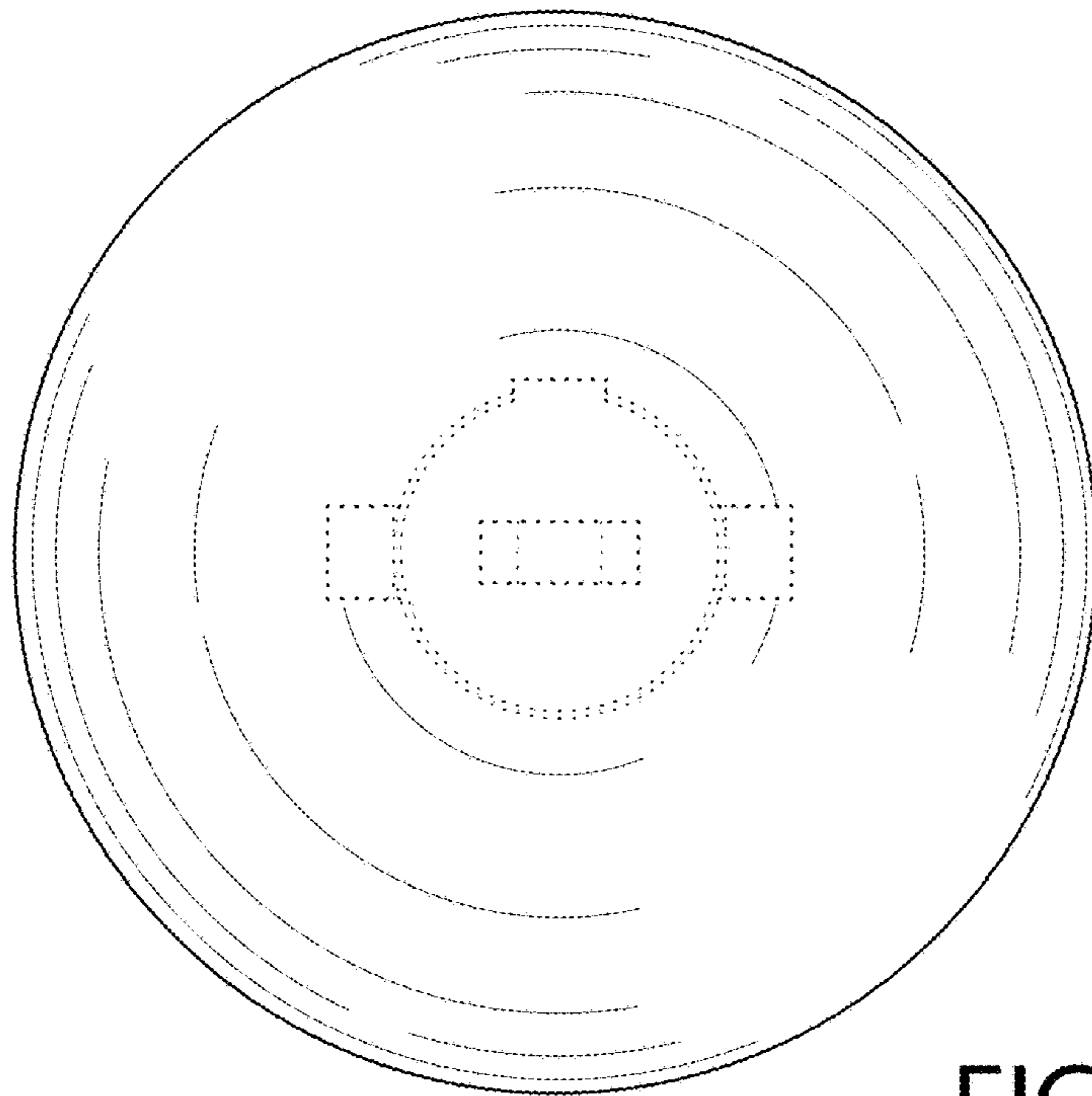


FIG. 12