



US00D844473S

(12) **United States Design Patent**
Maulder et al.

(10) **Patent No.:** **US D844,473 S**
(45) **Date of Patent:** **** Apr. 2, 2019**

- (54) **CLIP FOR A SENSOR PROBE**
- (71) Applicant: **CAMLAB LIMITED**, Cambridge
Cambridgeshire (GB)
- (72) Inventors: **Rowan David Maulder**, Cambridge
(GB); **Darren John Smith**, Suffolk
(GB)
- (73) Assignee: **CAMLAB LIMITED**, Cambridge (GB)
- (**) Term: **15 Years**
- (21) Appl. No.: **29/603,409**
- (22) Filed: **May 9, 2017**

Related U.S. Application Data

- (63) Continuation of application No.
PCT/GB2016/051745, filed on Jun. 10, 2016.
- (51) **LOC (11) Cl.** **10-04**
- (52) **U.S. Cl.**
USPC **D10/103; D8/371**
- (58) **Field of Classification Search**
USPC D8/367, 371; D10/103; 248/304, 316.1,
248/316.7, 690, 691, 692, 693
CPC A61J 1/16; A61J 1/165; B65D 25/103;
B65D 25/105; B65D 85/45
See application file for complete search history.

(56) **References Cited**

U.S. PATENT DOCUMENTS

D415,067 S *	10/1999	Tung	D8/367
8,851,430 B2	10/2014	Mulzer		
D753,472 S *	4/2016	Pan	D8/371
D809,905 S *	2/2018	Gunderson	D8/371

FOREIGN PATENT DOCUMENTS

CN	201352157 Y	11/2009
DE	2817933 B1	8/1979

DE	4202493 A1	8/1992
DE	202012100519 U1	3/2012
GB	2452930 A	3/2009
JP	H07333070 A	12/1995
JP	2008/014719 A	1/2008
JP	4827633 B2	11/2011

OTHER PUBLICATIONS

Search Report under Section 17 dated Mar. 1, 2016 for UK Application No. GB1510358.3, in 5 pages.
International Search Report dated Aug. 22, 2016 for International Application No. PCT/GB2016/051745, in 16 pages.

* cited by examiner

Primary Examiner — Antoine Duval Davis

(74) *Attorney, Agent, or Firm* — Knobbe, Martens, Olson & Bear, LLP

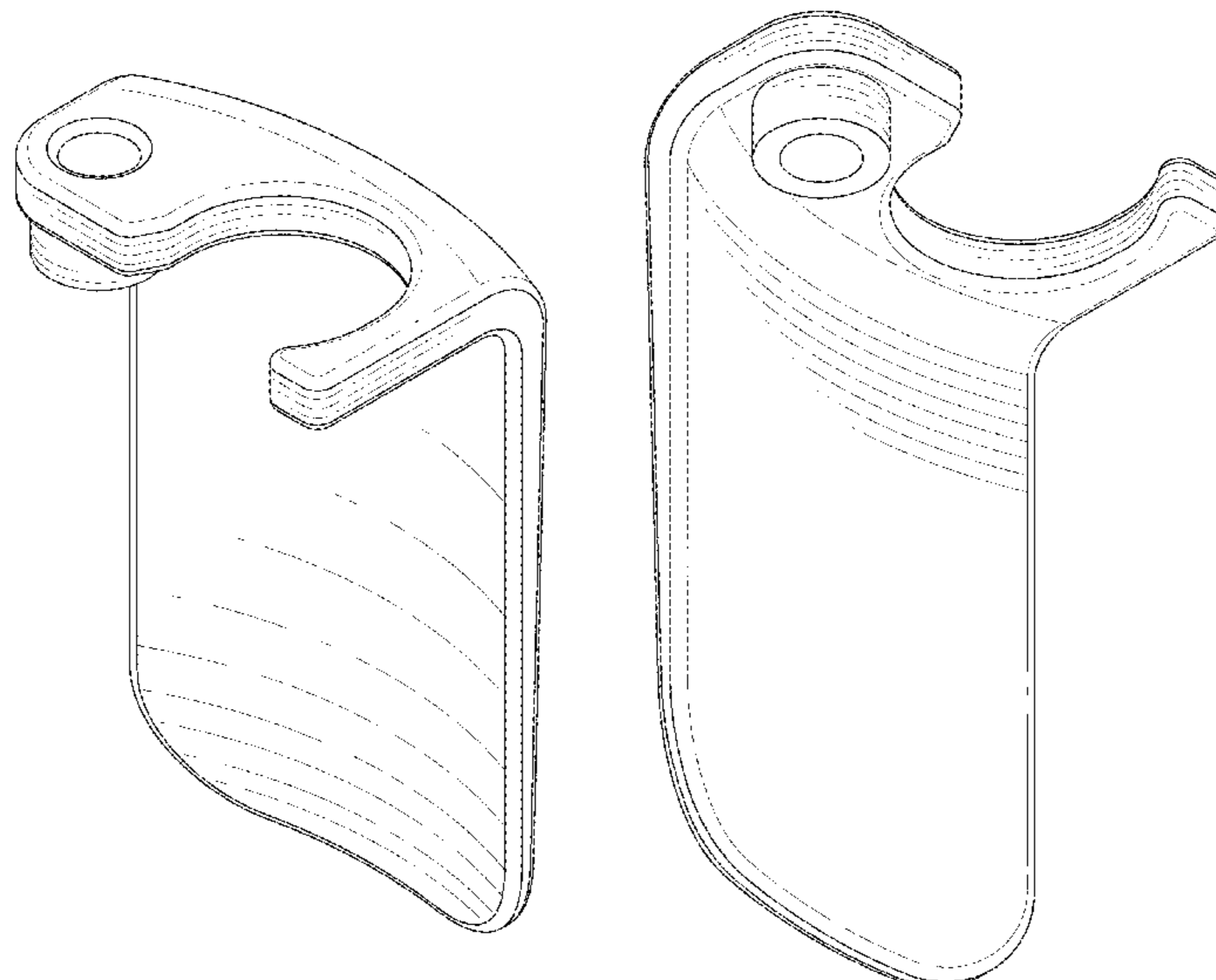
(57) **CLAIM**

The ornamental design for a clip for a sensor probe, as shown and described.

DESCRIPTION

FIG. 1 is a first perspective view of a clip for a sensor probe. FIG. 2 is a second perspective view of the clip of FIG. 1 rotated counterclockwise.
FIG. 3 is a front view of the clip of FIG. 1.
FIG. 4 is a rear view of the clip of FIG. 1.
FIG. 5 is a right view of the clip of FIG. 1.
FIG. 6 is a left view of the clip of FIG. 1.
FIG. 7 is a top view of the clip of FIG. 1.
FIG. 8 is a bottom view of the clip of FIG. 1.
FIG. 9 is a cross-sectional bottom view of the clip of FIG. 1. The cross-sectional view is along the line 9-9 of FIG. 3; and,
FIG. 10 is a cross-sectional right view of the clip of FIG. 1. The cross-sectional view is along the line 10-10 of FIG. 3.

1 Claim, 9 Drawing Sheets



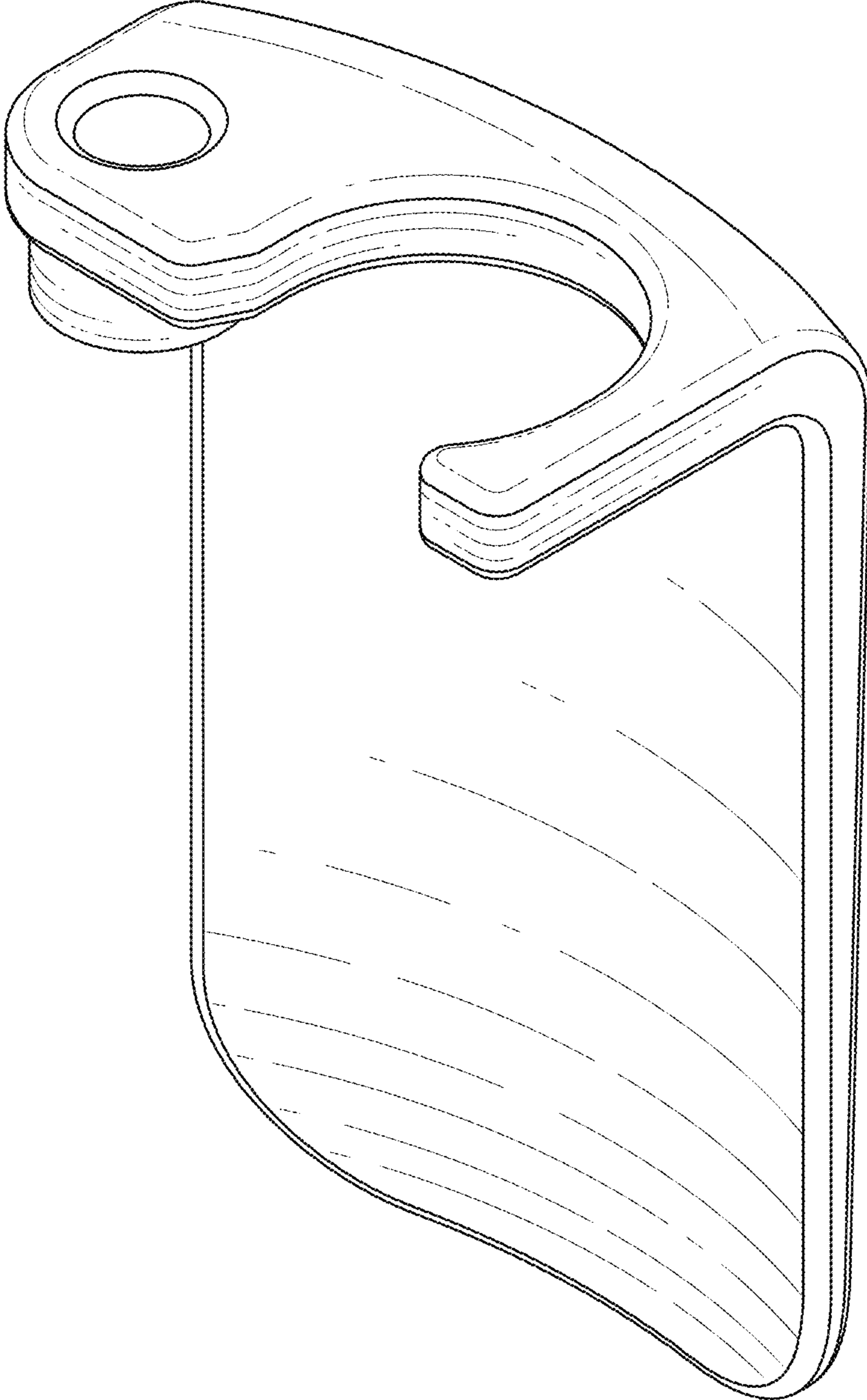


FIG. 1

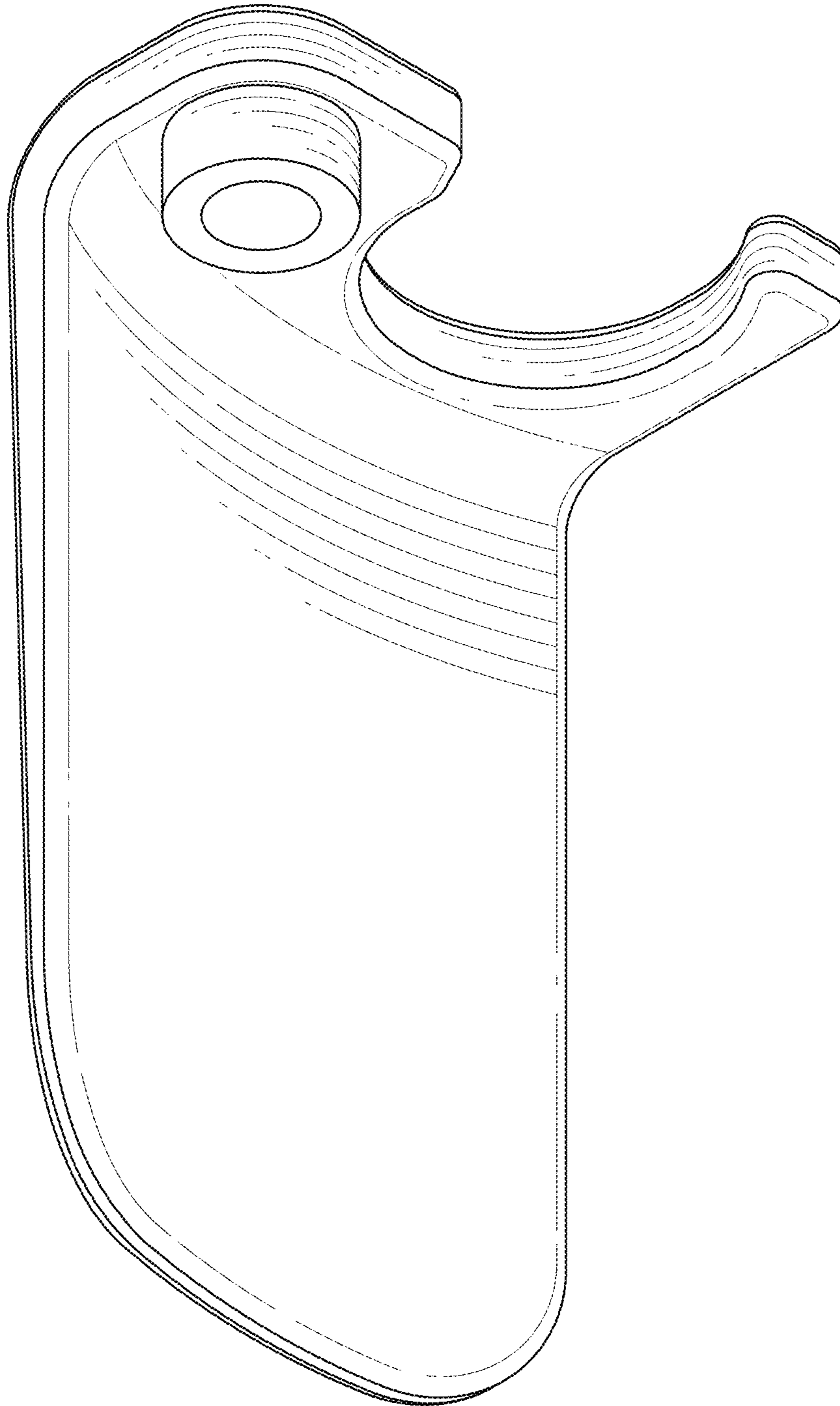


FIG. 2

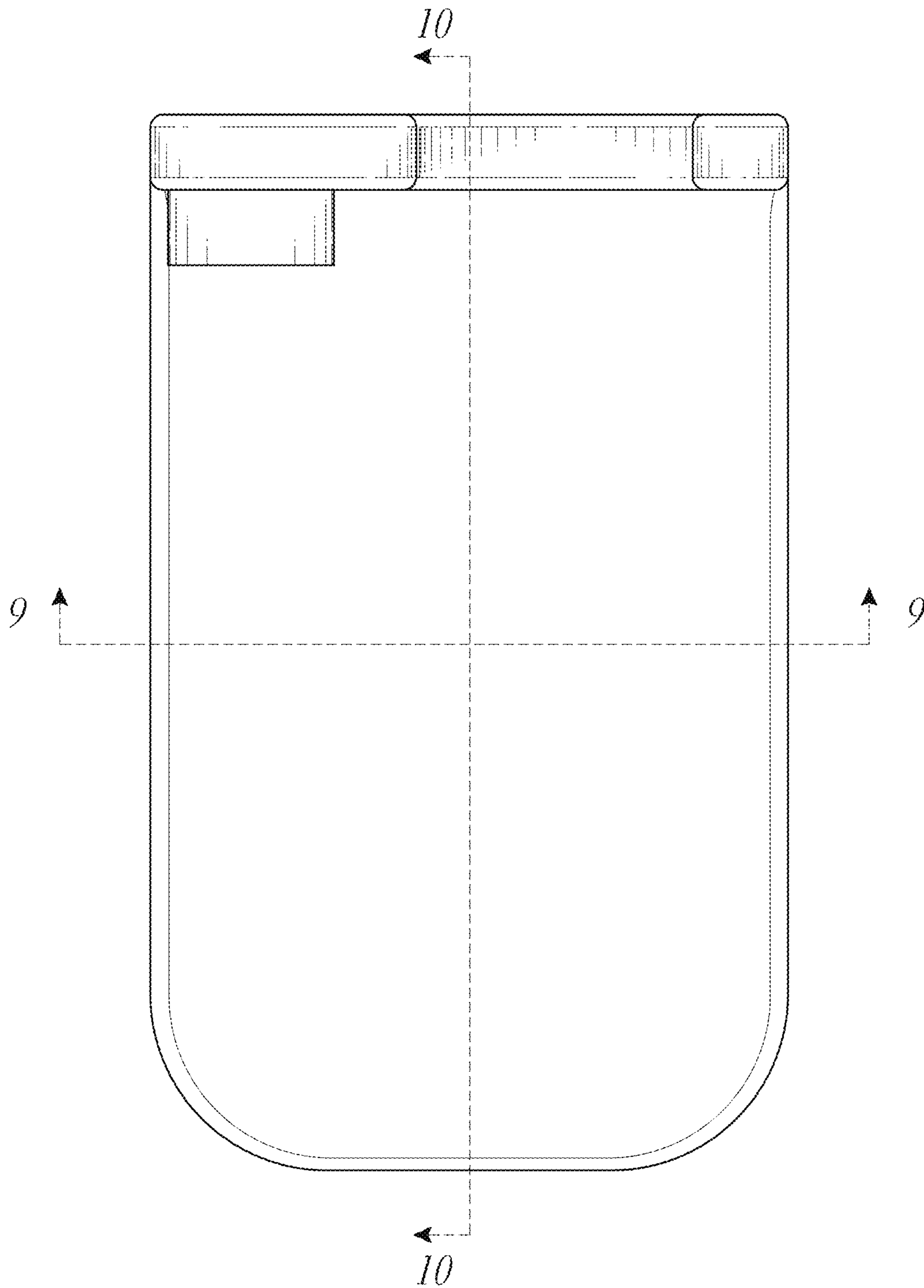


FIG. 3

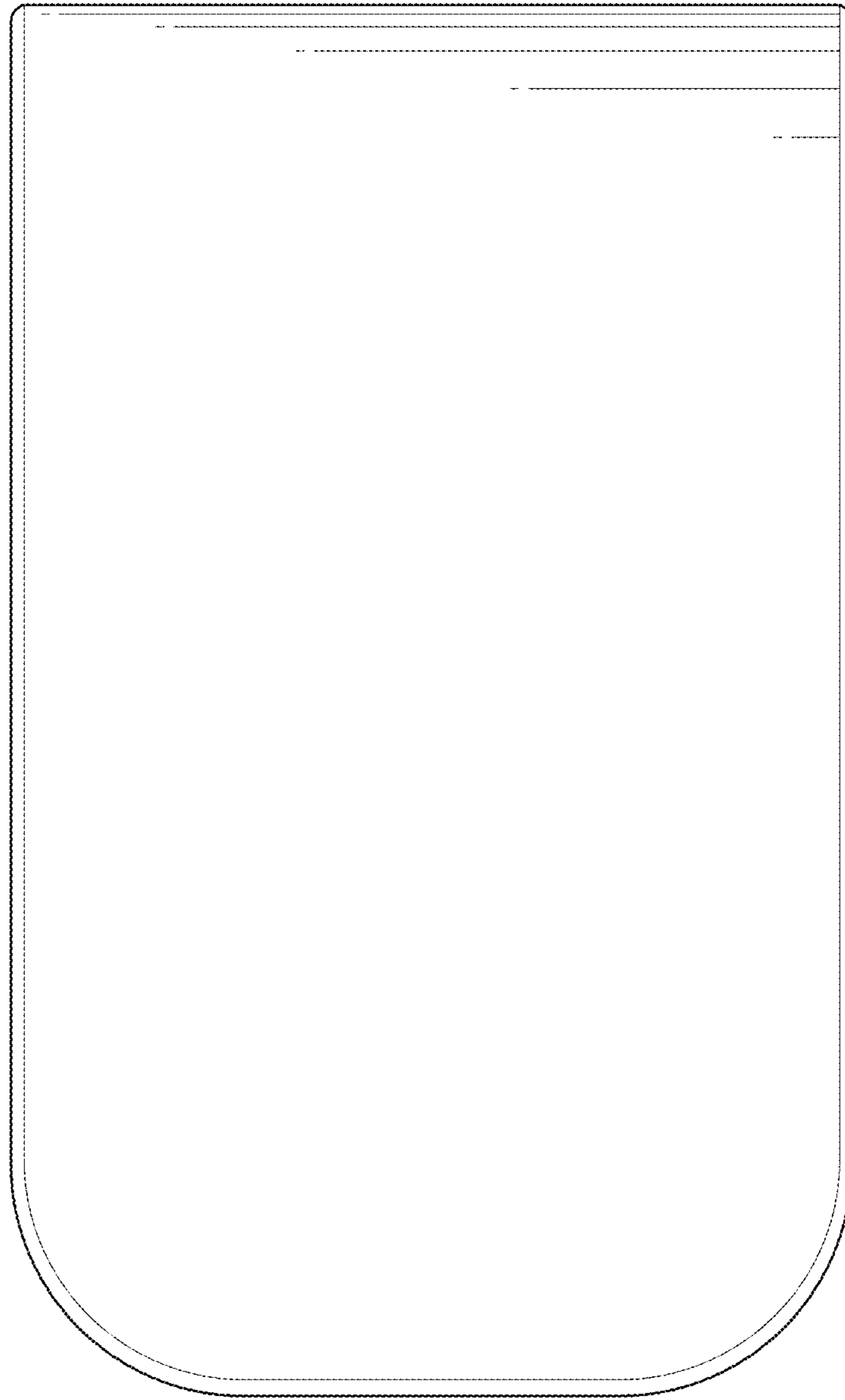


FIG. 4

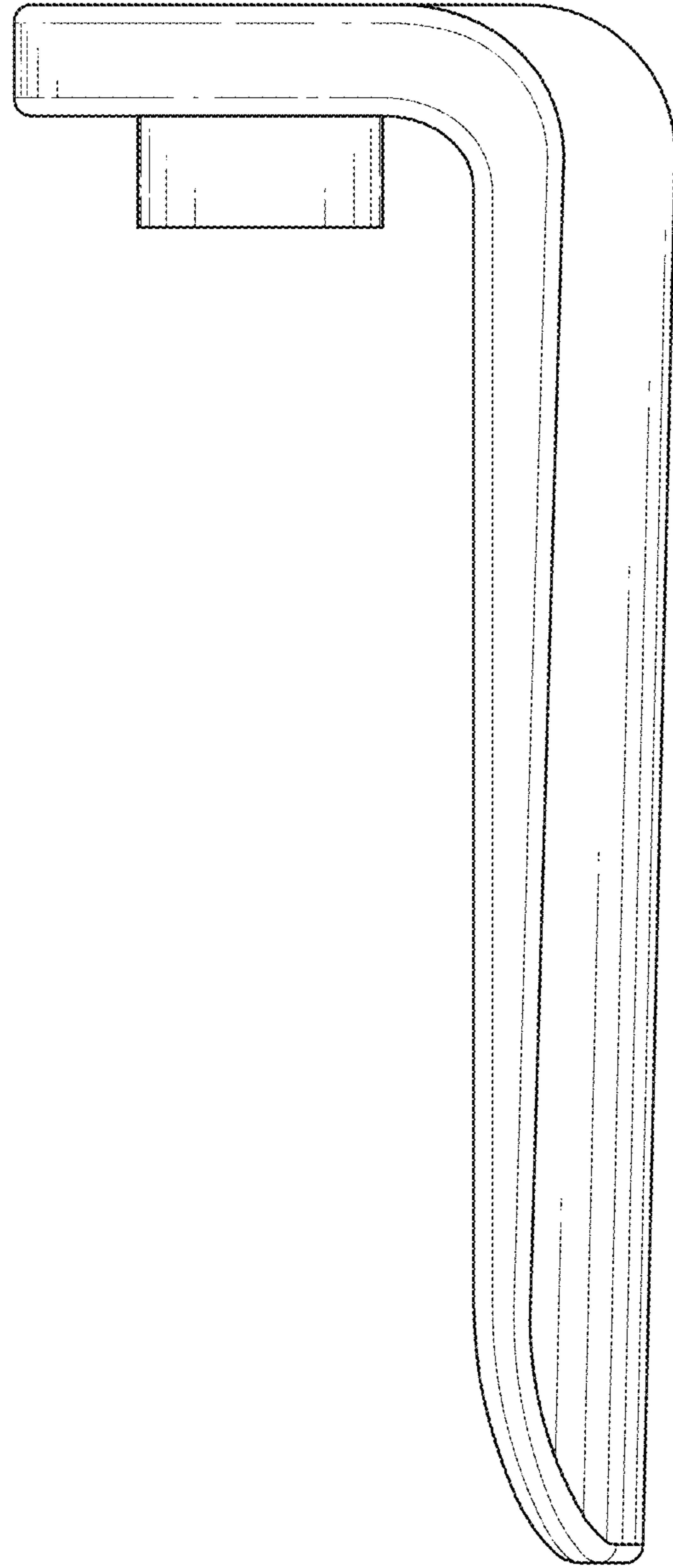


FIG. 5

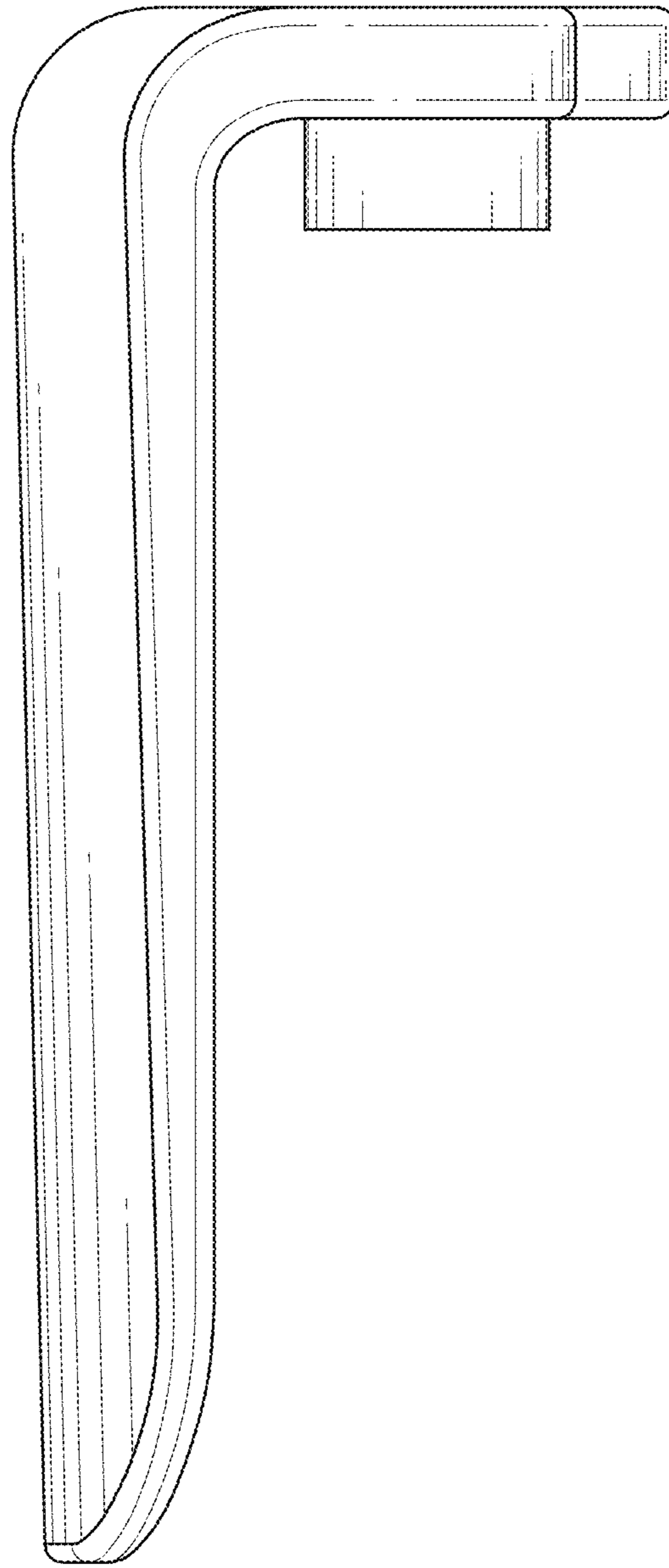


FIG. 6

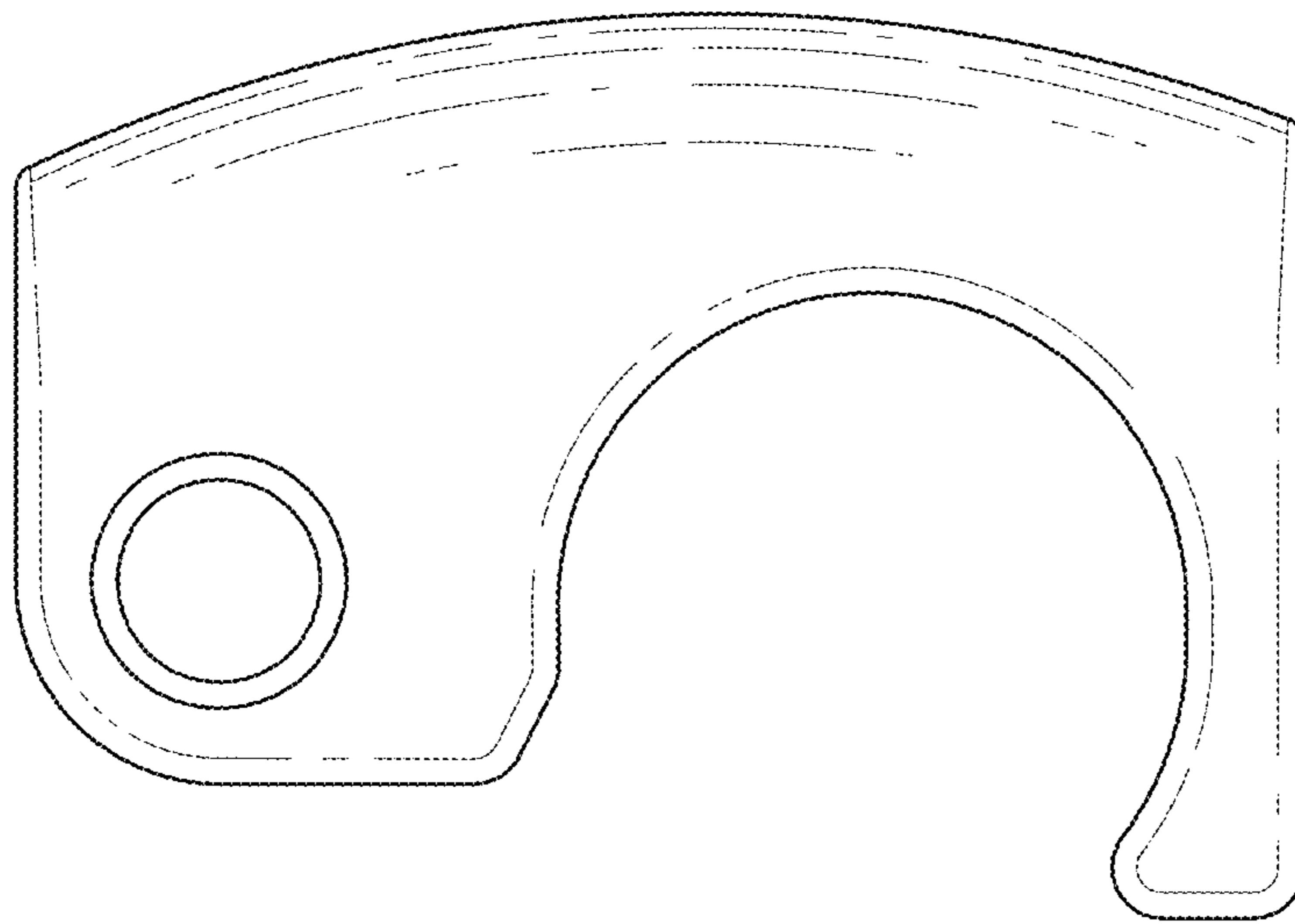


FIG. 7

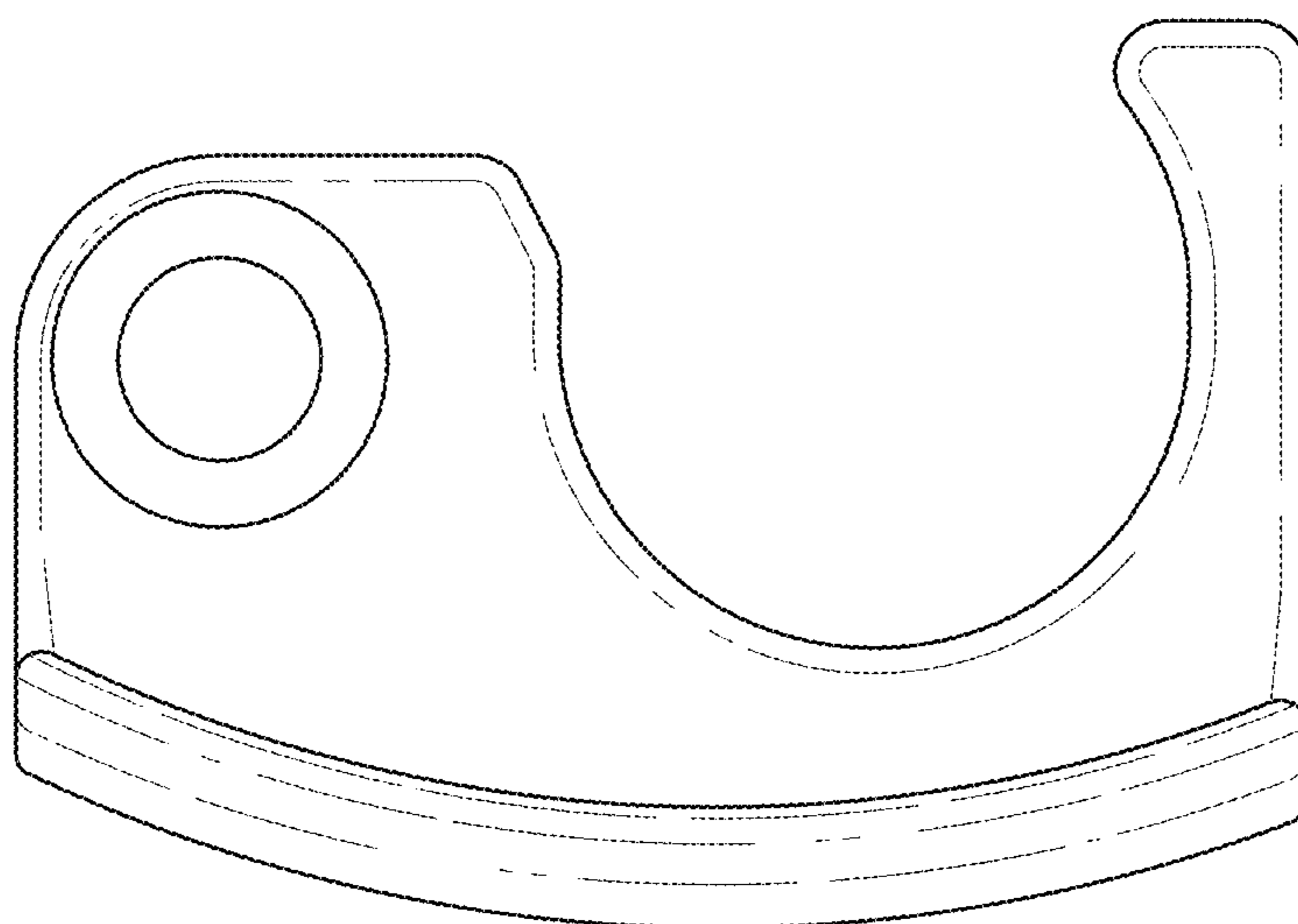


FIG. 8

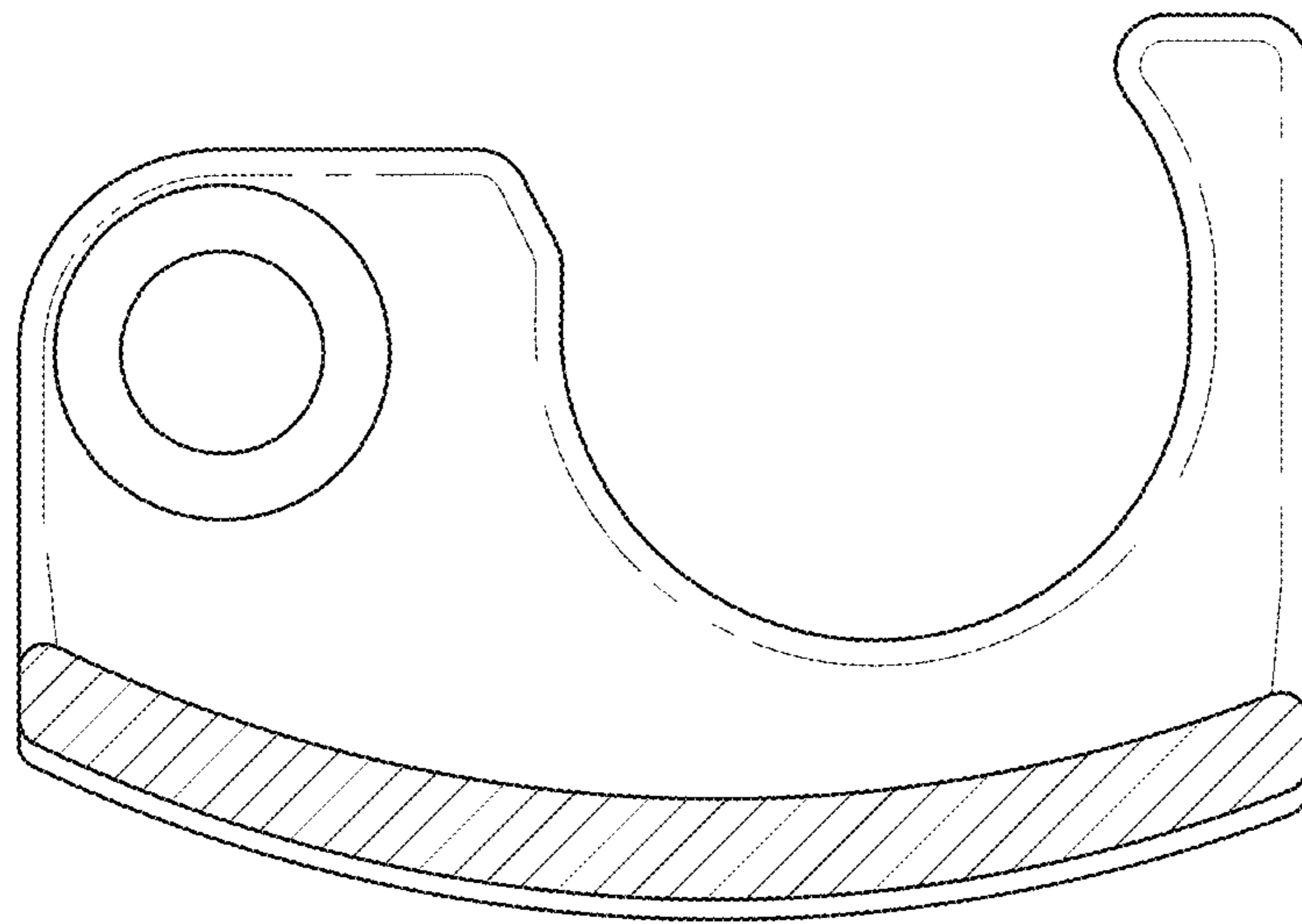


FIG. 9

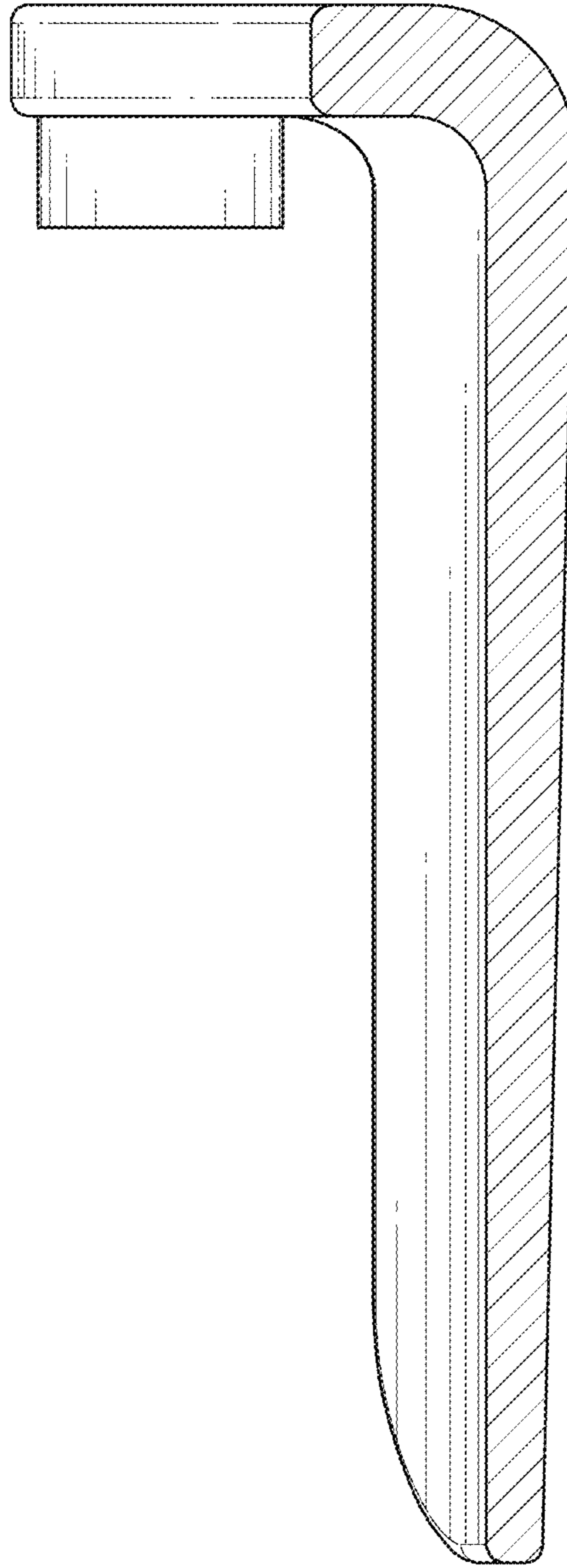


FIG. 10