



US00D844471S

(12) **United States Design Patent** (10) **Patent No.:** **US D844,471 S**  
**Stone et al.** (45) **Date of Patent:** **\*\* Apr. 2, 2019**

(54) **ANALYTICAL INSTRUMENT**

35/00-35/1097; G01N  
2035/00019-2035/1093; G01N  
2204/022-2204/0228

(71) Applicant: **Berkeley Lights, Inc.**, Emeryville, CA (US)

See application file for complete search history.

(72) Inventors: **Michael J. Stone**, Berkeley, CA (US); **Keith J. Breinlinger**, San Rafael, CA (US); **Edward J. Milovic**, Albany, CA (US); **Christopher C. Shing**, Castro Valley, CA (US); **James R. Varney**, Bolton, MA (US); **James M. Ormond**, Belmont, MA (US); **Matthew C. White**, Brighton, MA (US); **Bryan R. Hotaling**, Harvard, MA (US)

(56) **References Cited**

U.S. PATENT DOCUMENTS

D672,471 S \* 12/2012 Franco ..... D24/232  
D777,049 S \* 1/2017 Barton ..... D10/81

\* cited by examiner

*Primary Examiner* — Antoine Duval Davis  
(74) *Attorney, Agent, or Firm* — McDermott Will & Emery LLP

(73) Assignee: **BERKELEY LIGHTS, INC.**, Emeryville, CA (US)

(57) **CLAIM**

The ornamental design for an analytical instrument, as shown and described.

(\*\*) Term: **15 Years**

**DESCRIPTION**

(21) Appl. No.: **29/609,549**

(22) Filed: **Jun. 30, 2017**

(51) **LOC (11) Cl.** ..... **10-04**

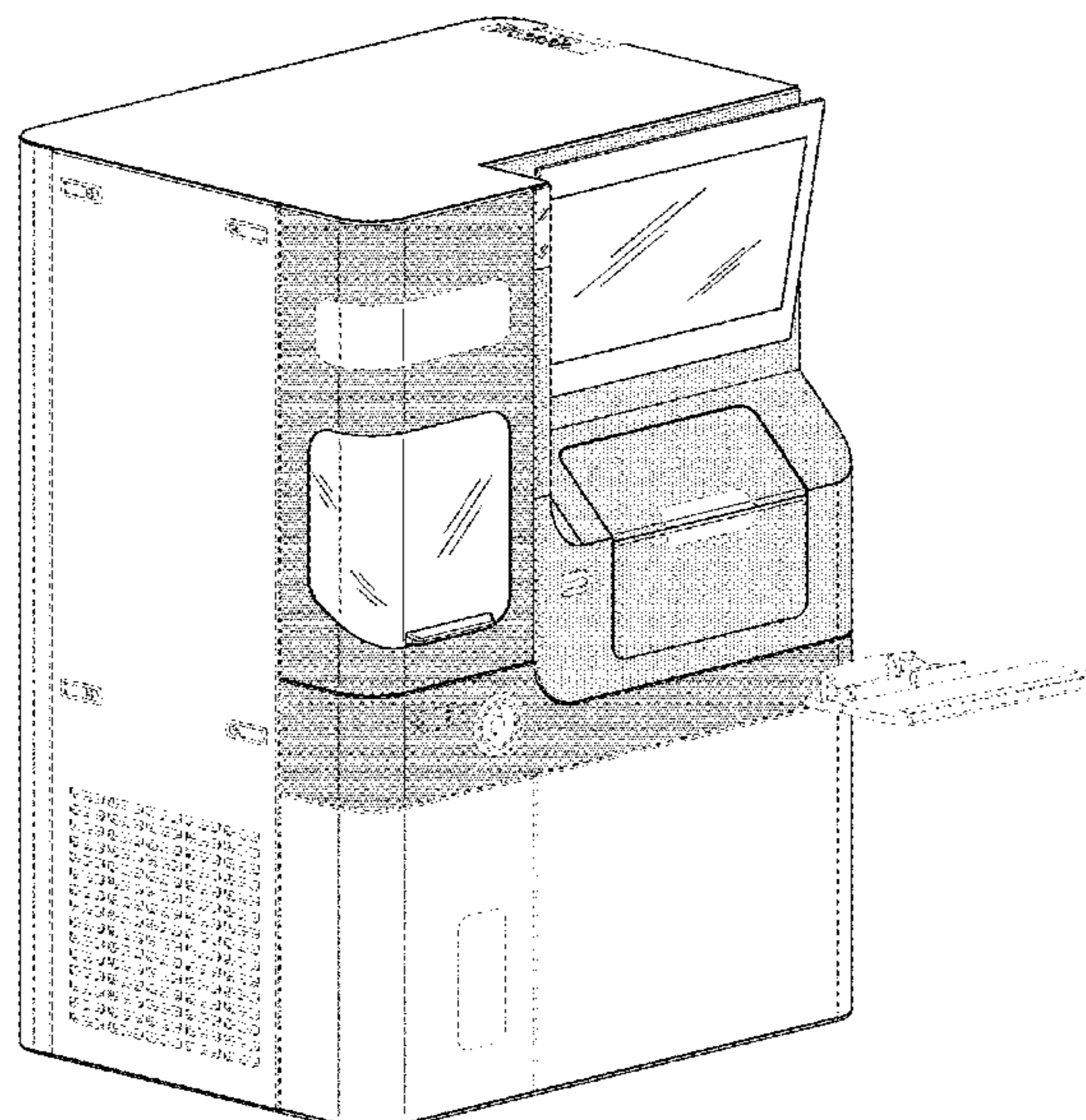
(52) **U.S. Cl.**  
USPC ..... **D10/81; D24/216**

(58) **Field of Classification Search**  
USPC ..... D10/81; D24/216, 219, 220, 232, 233, D24/234

CPC ..... A01N 27/3278; G01N 33/48721; G01N 27/745; G01N 27/4146; G01N 33/54346; G01N 33/587; G01N 2035/00306; G01N 2201/022; G01N 21/00; G01N 21/01; G01N 2201/0221; G01N 2201/0222; G01N 2201/0224; G01N 2201/0225; G01N 2201/0227; G01N 2201/0228; G01N 2201/024; G01N 2201/0245; G01N 2021/0112-21/958; G01N 2021/0106-2021/9586; G01N

FIG. 1 is a perspective view of an embodiment of an analytical instrument of our new design.  
FIG. 2 is a front view of an embodiment of an analytical instrument of our new design.  
FIG. 3 is a back view of an embodiment of an analytical instrument of our new design.  
FIG. 4 is a side view of an embodiment of an analytical instrument of our new design.  
FIG. 5 is a side view of an embodiment of an analytical instrument of our new design.  
FIG. 6 is a top view of an embodiment of an analytical instrument of our new design; and,  
FIG. 7 is a bottom view of an embodiment of an analytical instrument of our new design.  
The portions of the features depicted in broken lines are not part of the claimed design.

**1 Claim, 7 Drawing Sheets**



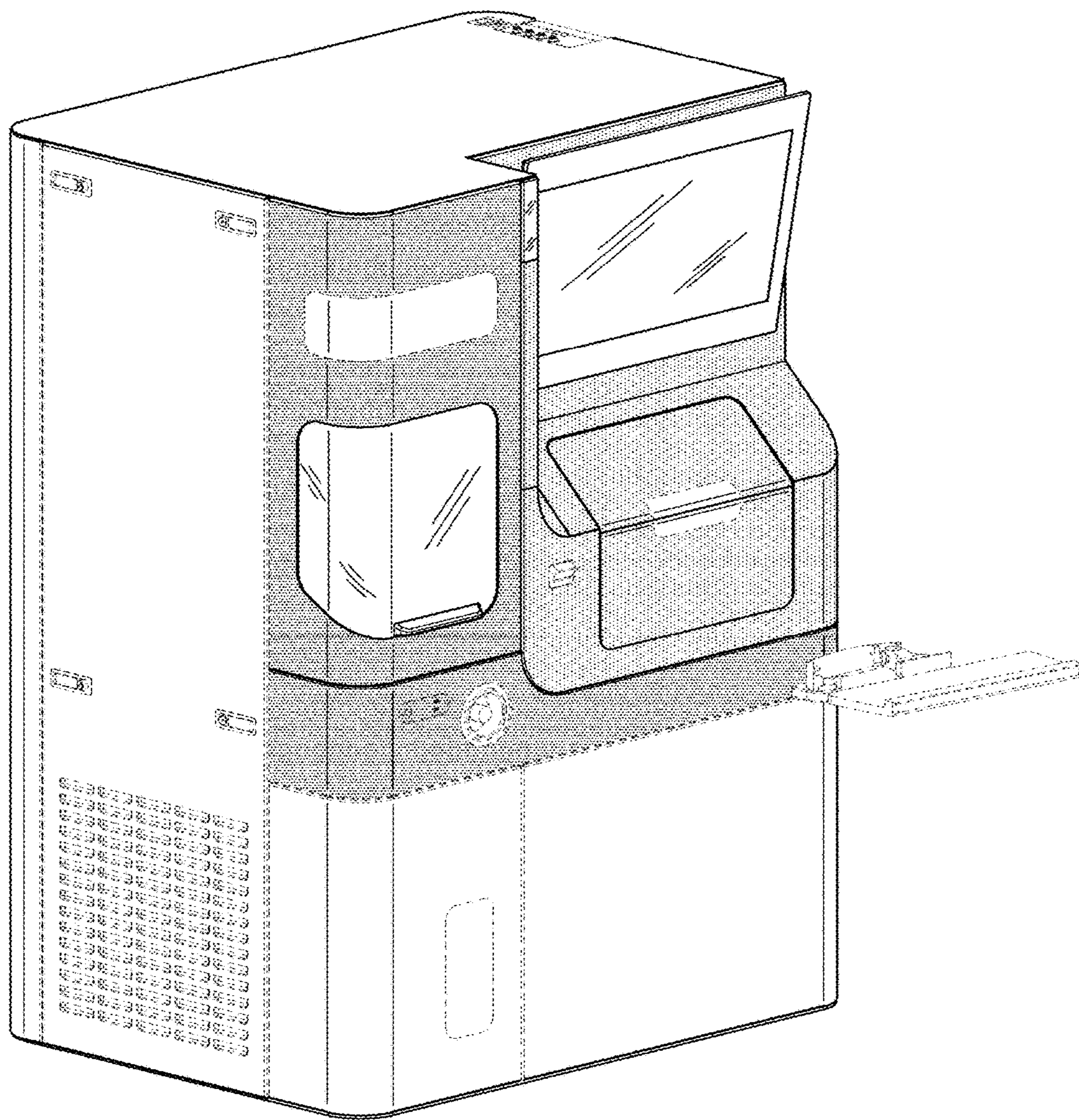


FIG. 1

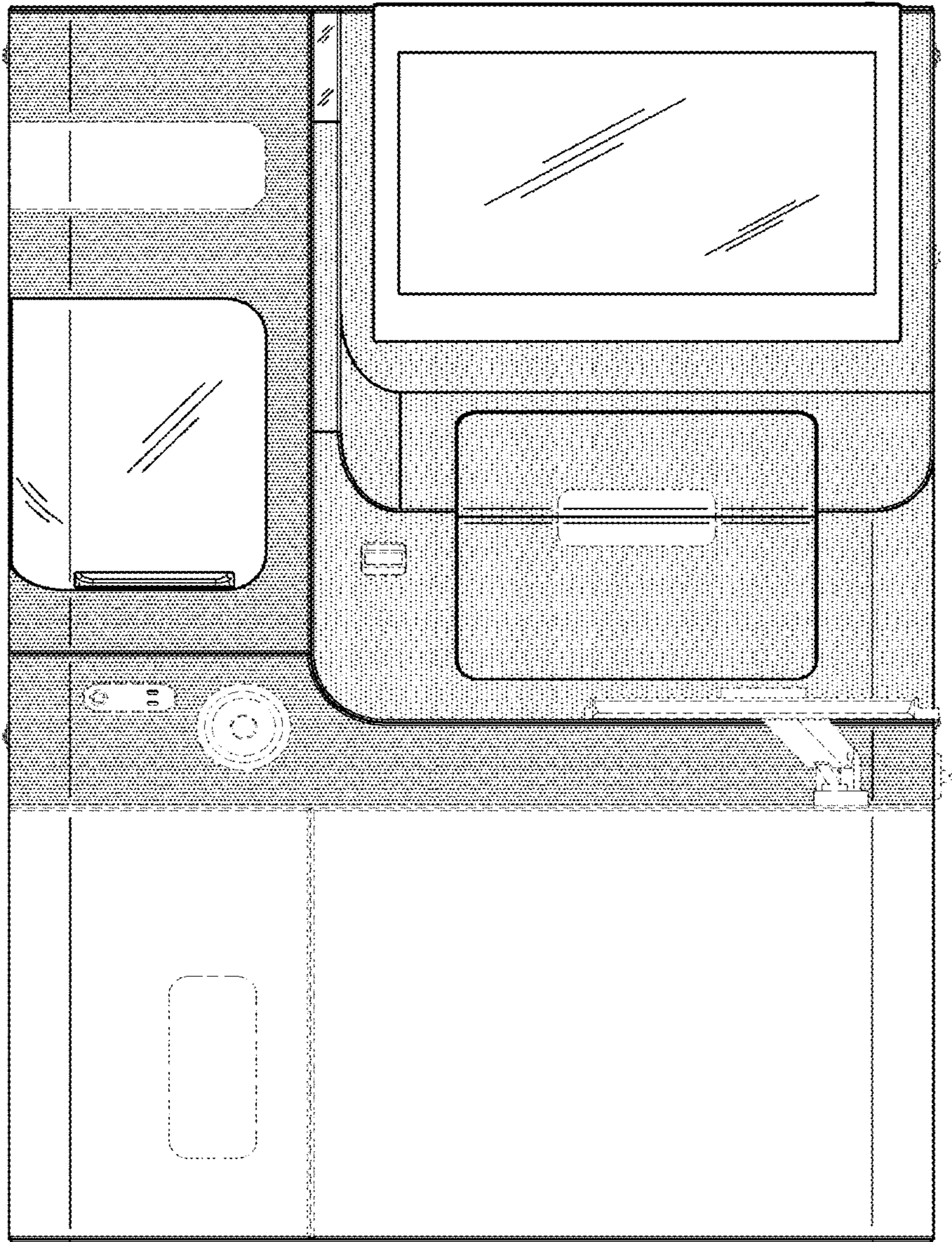


FIG. 2

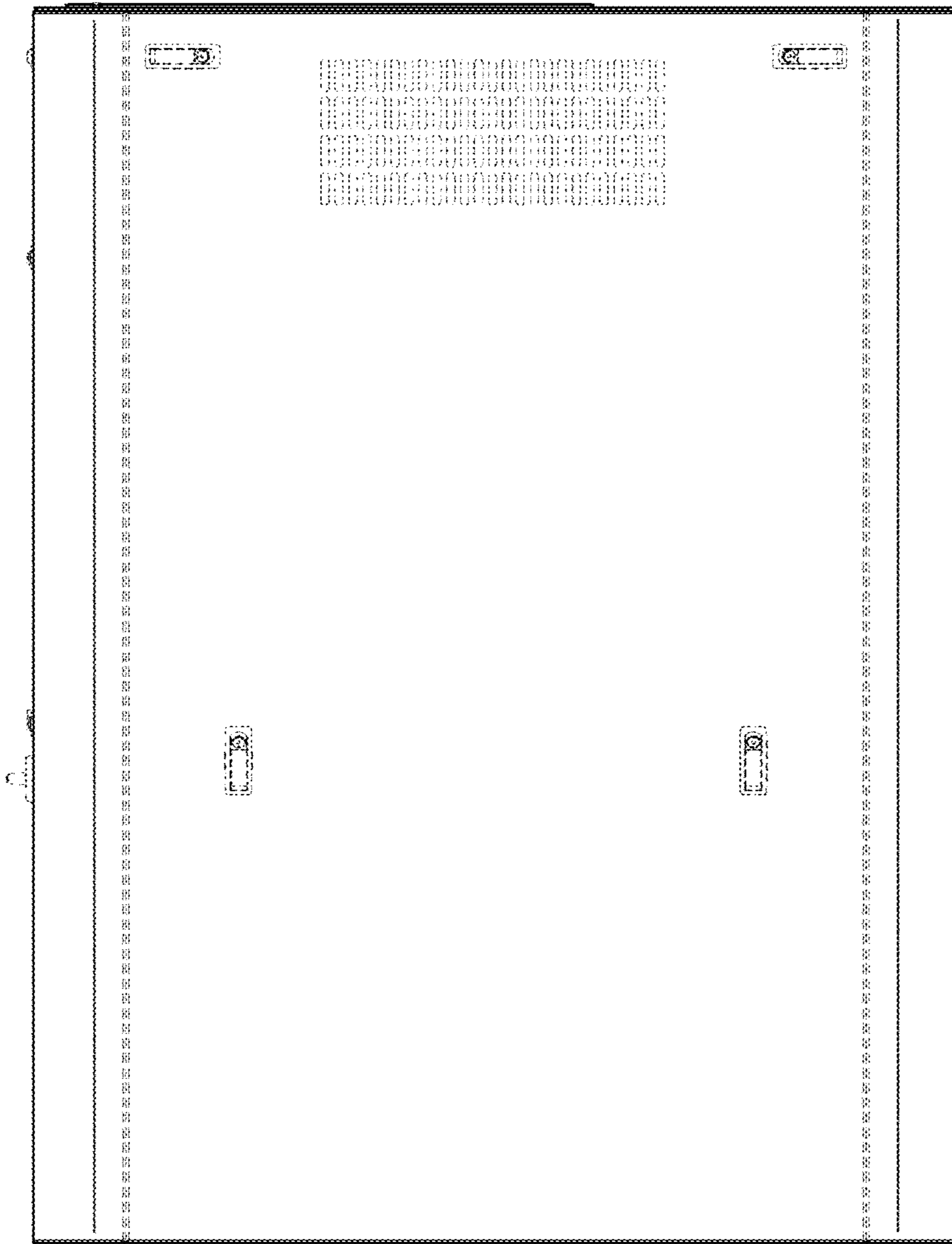


FIG. 3

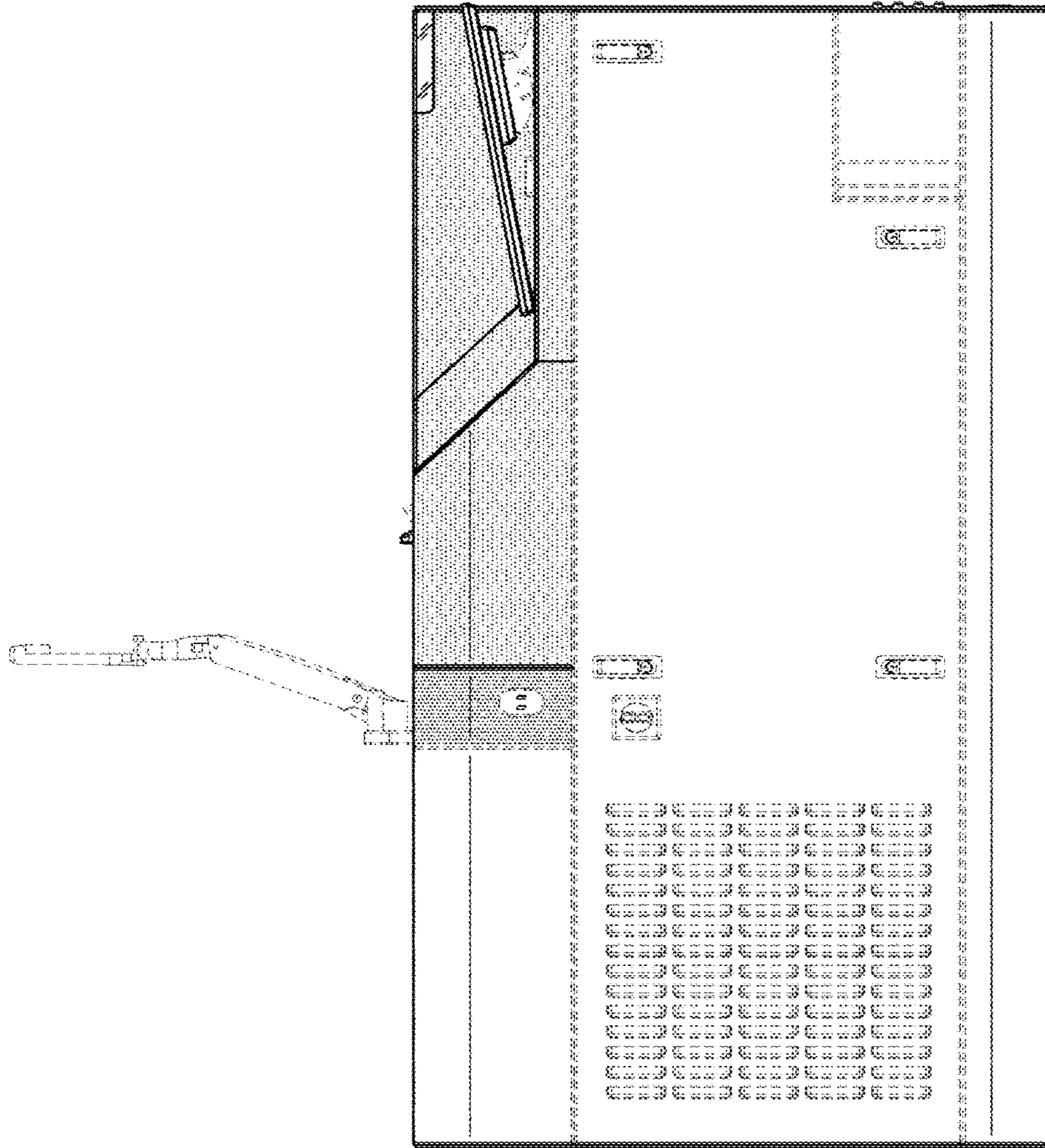


FIG. 4

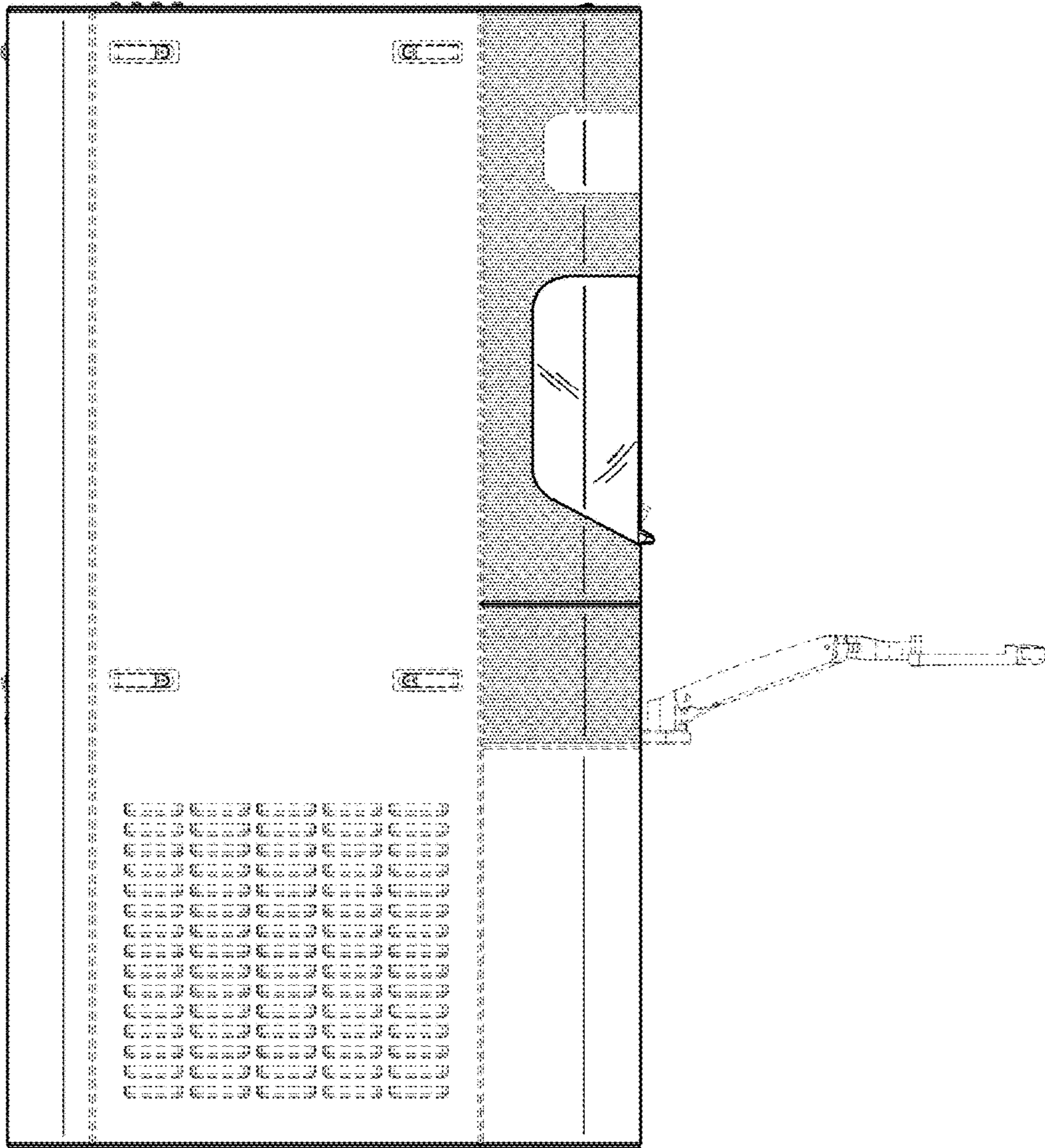


FIG. 5

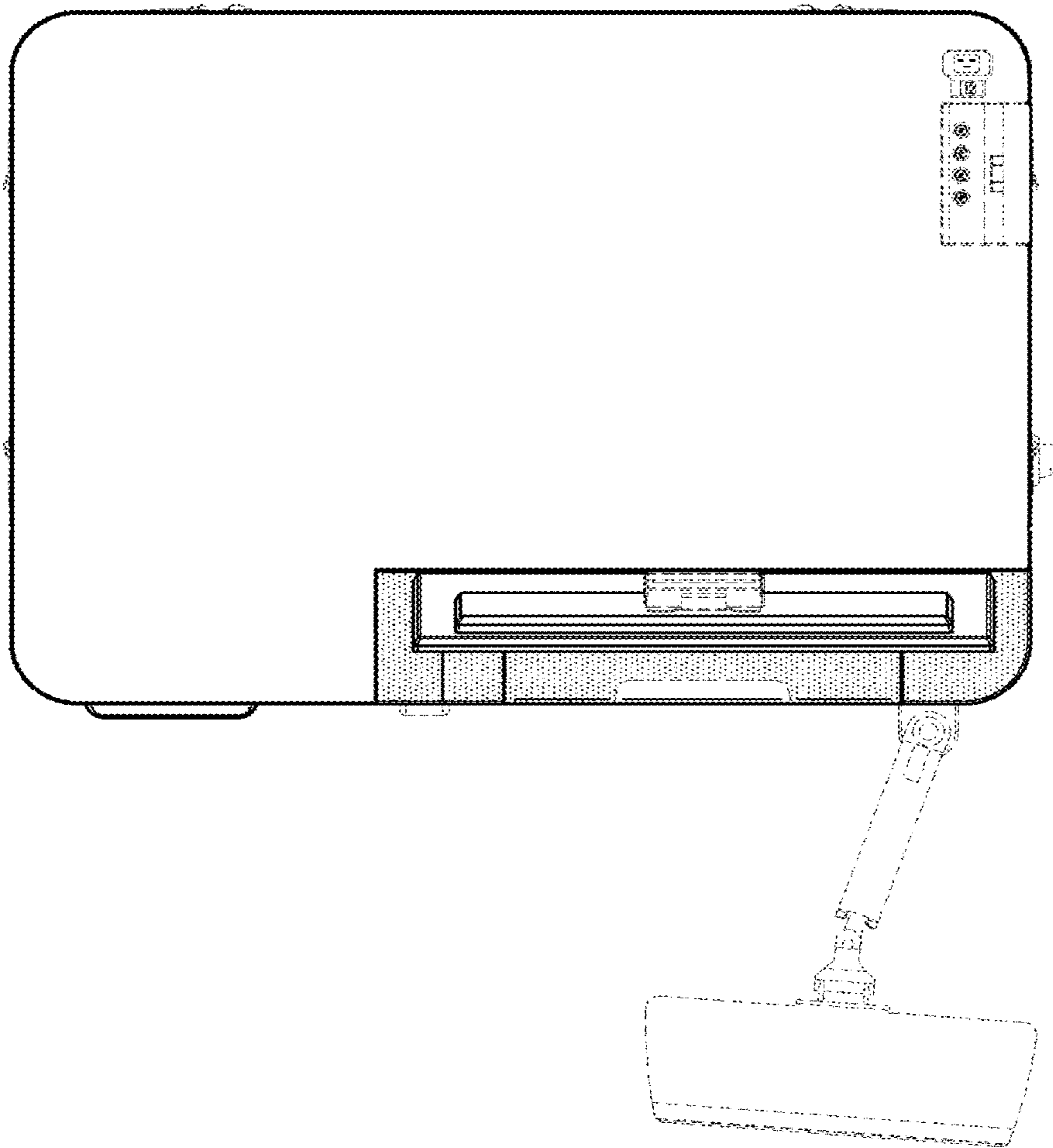


FIG. 6

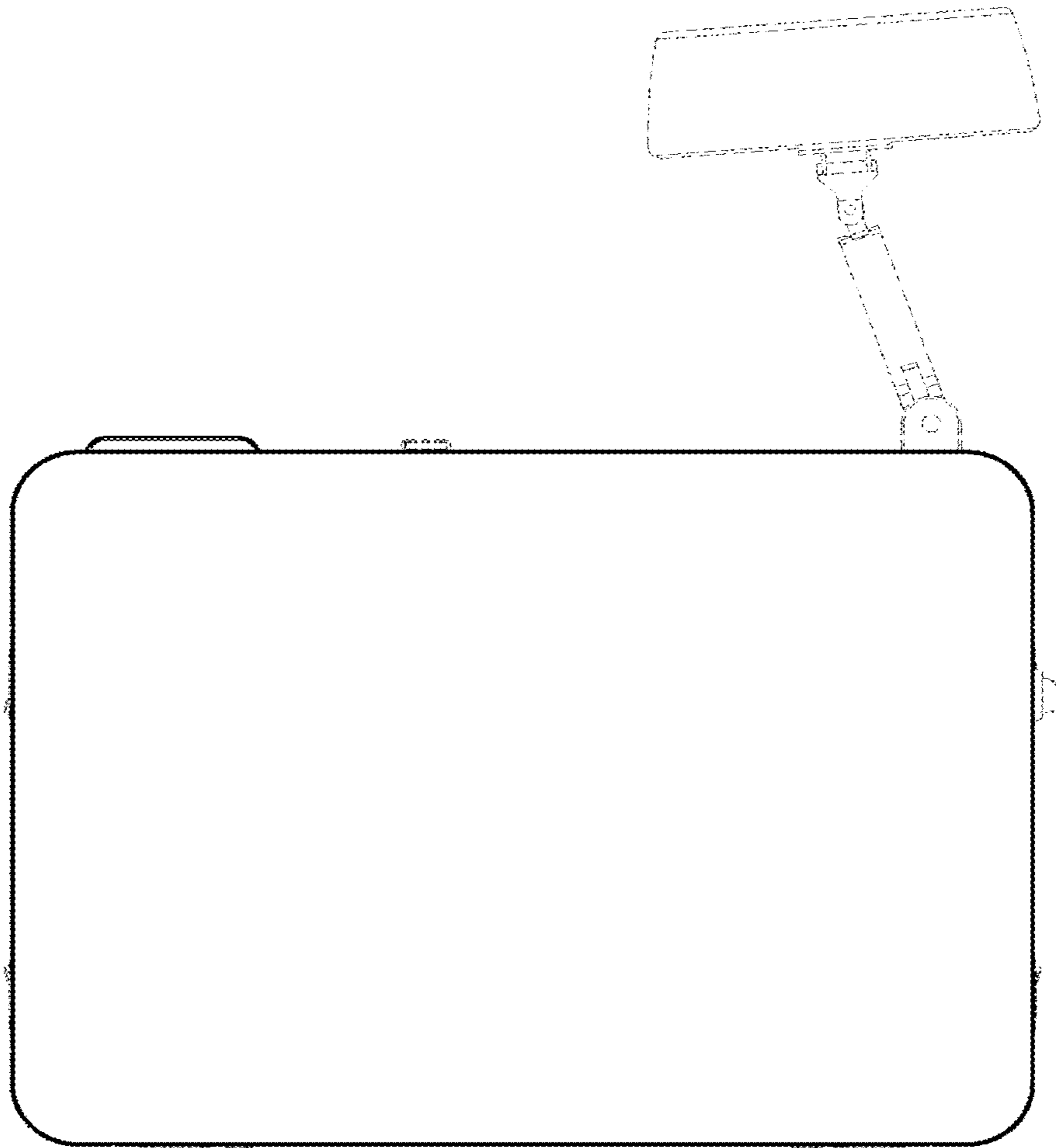


FIG. 7