



US00D844470S

(12) **United States Design Patent** (10) **Patent No.:** **US D844,470 S**
Huang (45) **Date of Patent:** **** *Apr. 2, 2019**

- (54) **LEAKAGE CLAMP METER**
- (71) Applicant: **Fluke Corporation**, Everett, WA (US)
- (72) Inventor: **Wei Huang**, Shanghai (CN)
- (73) Assignee: **Fluke Corporation**, Everett, WA (US)
- (*) Notice: This patent is subject to a terminal disclaimer.
- (**) Term: **15 Years**
- (21) Appl. No.: **29/621,674**
- (22) Filed: **Oct. 10, 2017**

- 7,733,080 B1 6/2010 Liu
- 7,750,621 B1 7/2010 Liu
- D628,918 S 12/2010 Chang
- 7,884,598 B2 2/2011 Wang et al.
- 7,944,197 B2 5/2011 Shah et al.
- 8,120,350 B2 2/2012 Shah et al.
- 8,330,449 B2 12/2012 Greenberg
- D683,250 S 5/2013 Marzynski et al.
- D684,074 S 6/2013 Wei
- 8,570,026 B2 10/2013 Liu
- D715,169 S 10/2014 Chen

(Continued)

Primary Examiner — Antoine D Davis
(74) *Attorney, Agent, or Firm* — Seed Intellectual Property Law Group LLP

Related U.S. Application Data

- (63) Continuation of application No. 29/553,931, filed on Feb. 5, 2016, now Pat. No. Des. 802,456.

Foreign Application Priority Data

- Aug. 6, 2015 (CN) 2015 3 0292978
- (51) **LOC (11) Cl.** **10-04**
- (52) **U.S. Cl.**
USPC **D10/79**
- (58) **Field of Classification Search**
USPC D10/79
CPC G01R 1/04; G01R 1/0408; G01R 1/0416;
G01R 1/0425; G01R 1/06; G01R 1/067;
G01R 15/125; G01R 1/22; G01R 15/12;
G01R 15/18; G01R 15/186; G01R 1/07;
G01R 1/16772; G01R 1/16788
See application file for complete search history.

References Cited

U.S. PATENT DOCUMENTS

- D416,820 S 11/1999 Tanaka et al.
- D585,316 S 1/2009 Chang
- 7,530,277 B2 5/2009 Miyasaka et al.

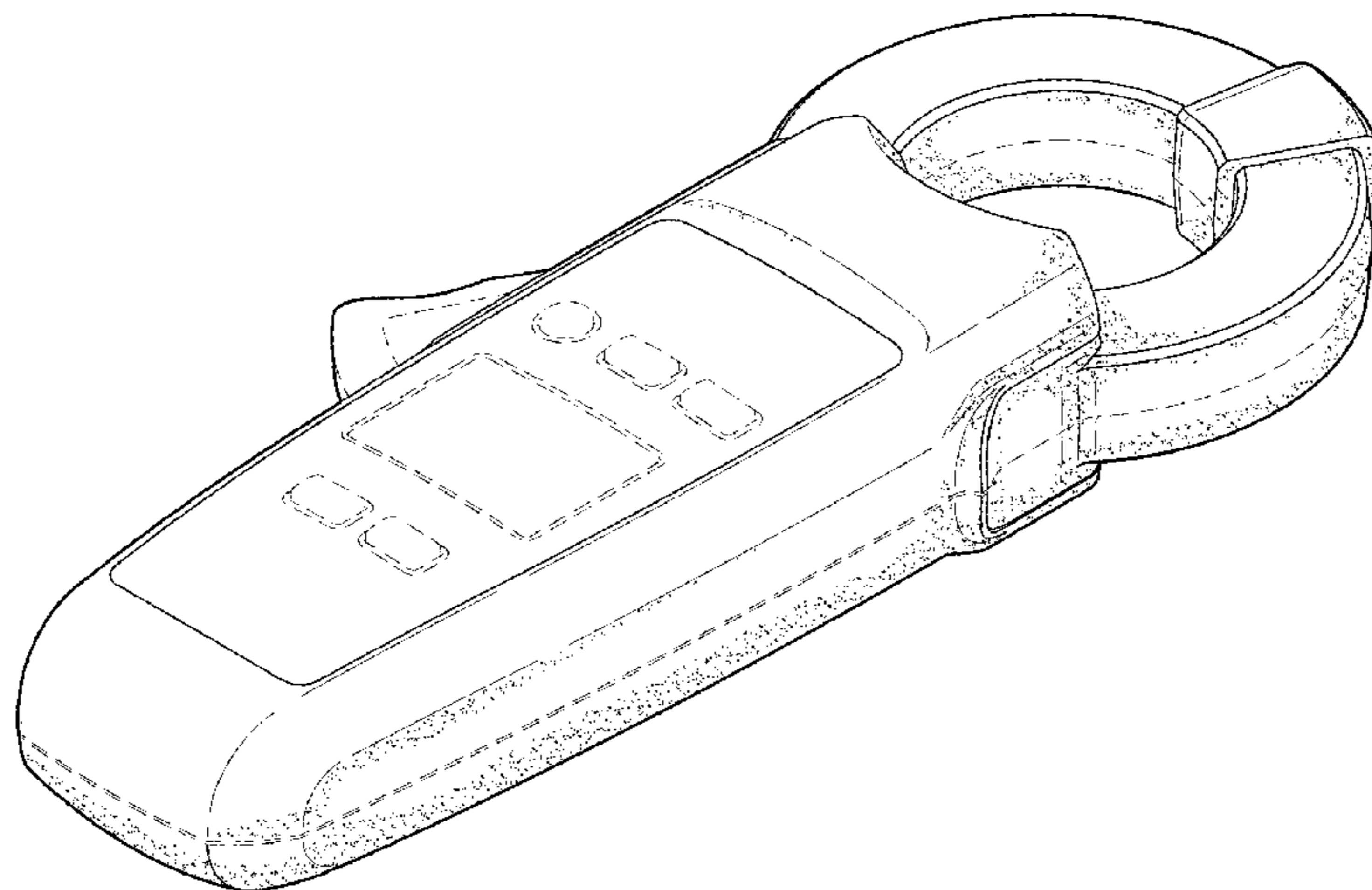
(57) **CLAIM**

The ornamental design for a leakage clamp meter, as shown and described.

DESCRIPTION

FIG. 1 is a bottom, front right perspective view of a leakage clamp meter showing my new design.
 FIG. 2 is a front elevational view thereof.
 FIG. 3 is a rear elevational view thereof.
 FIG. 4 is a left side elevational view thereof.
 FIG. 5 is a right side elevational view thereof.
 FIG. 6 is a top plan view thereof.
 FIG. 7 is a bottom plan view thereof.
 FIG. 8 is a bottom, front right perspective view of another embodiment of a leakage clamp meter showing my new design.
 FIG. 9 is a front elevational view thereof.
 FIG. 10 is a rear elevational view thereof.
 FIG. 11 is a left side elevational view thereof.
 FIG. 12 is a right side elevational view thereof.
 FIG. 13 is a top plan view thereof; and,
 FIG. 14 is a bottom plan view thereof.
 The broken lines in the drawings illustrate environment and form no part of the claimed design.

1 Claim, 10 Drawing Sheets



(56)

References Cited

U.S. PATENT DOCUMENTS

8,856,553 B2 10/2014 Lyakhovitskiy et al.
8,922,195 B2 12/2014 Worones
D726,048 S 4/2015 Wurts et al.
9,366,698 B2 6/2016 Legros et al.
D789,814 S * 6/2017 Kodama D10/79
D802,456 S * 11/2017 Huang D10/79

* cited by examiner

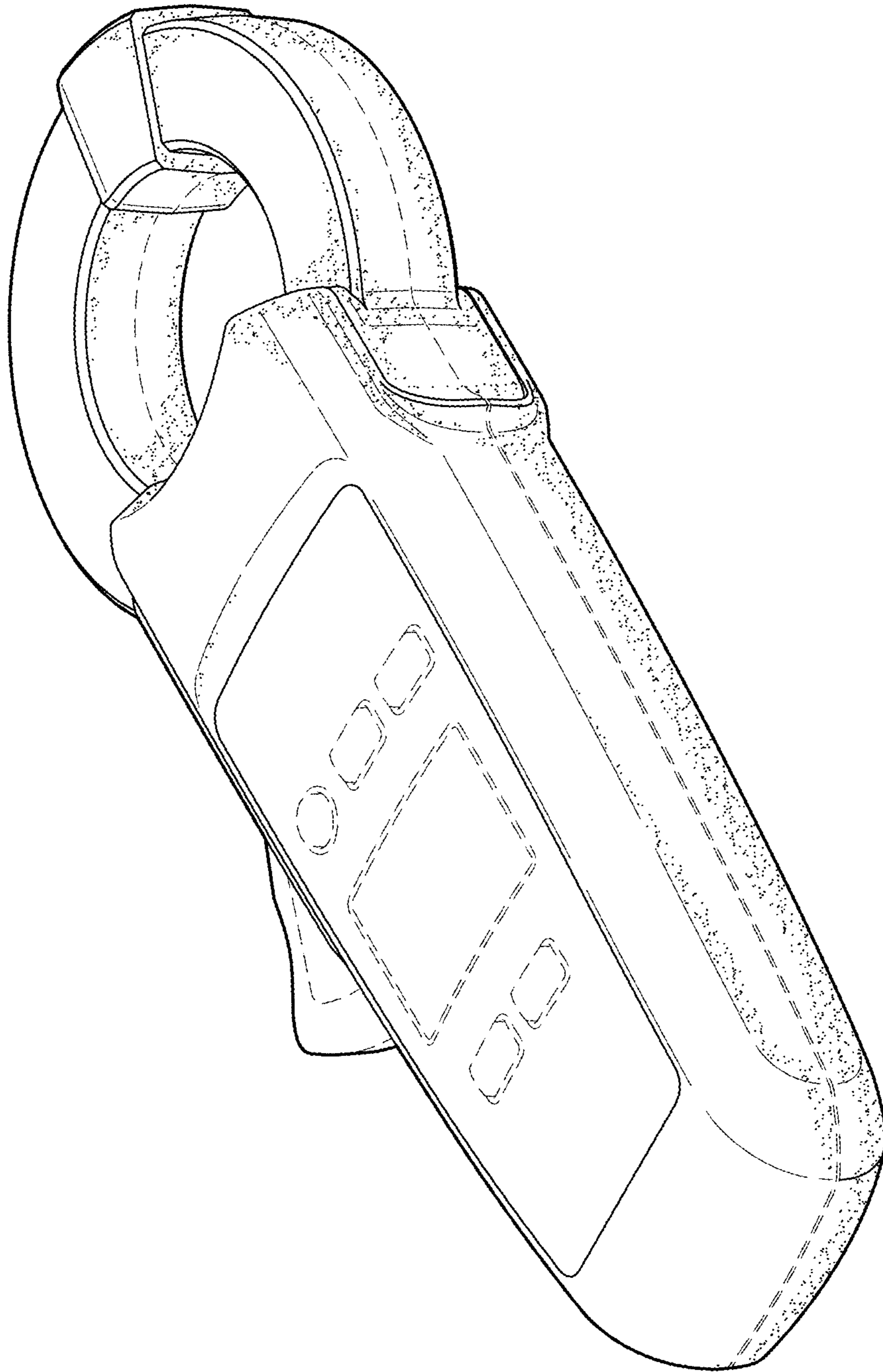


FIG.1

2/10

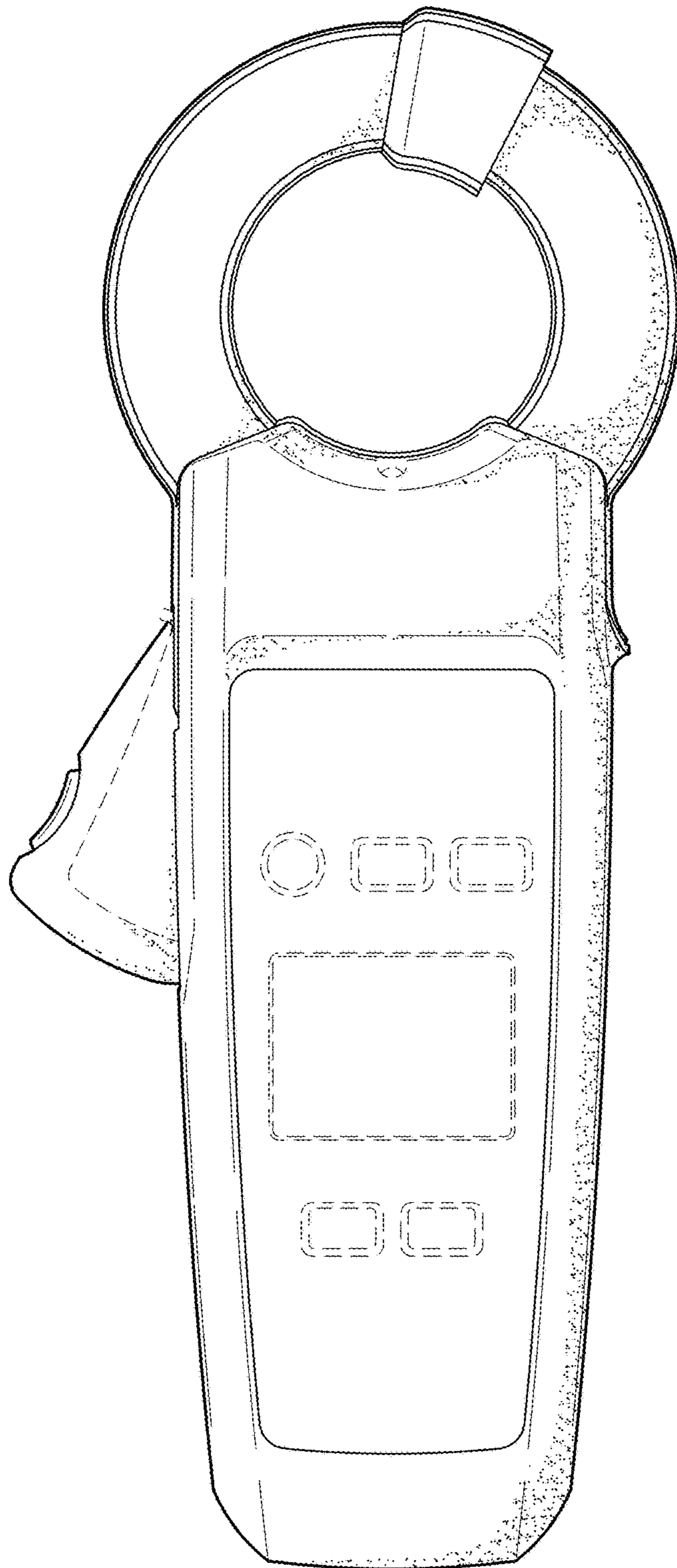


FIG.2

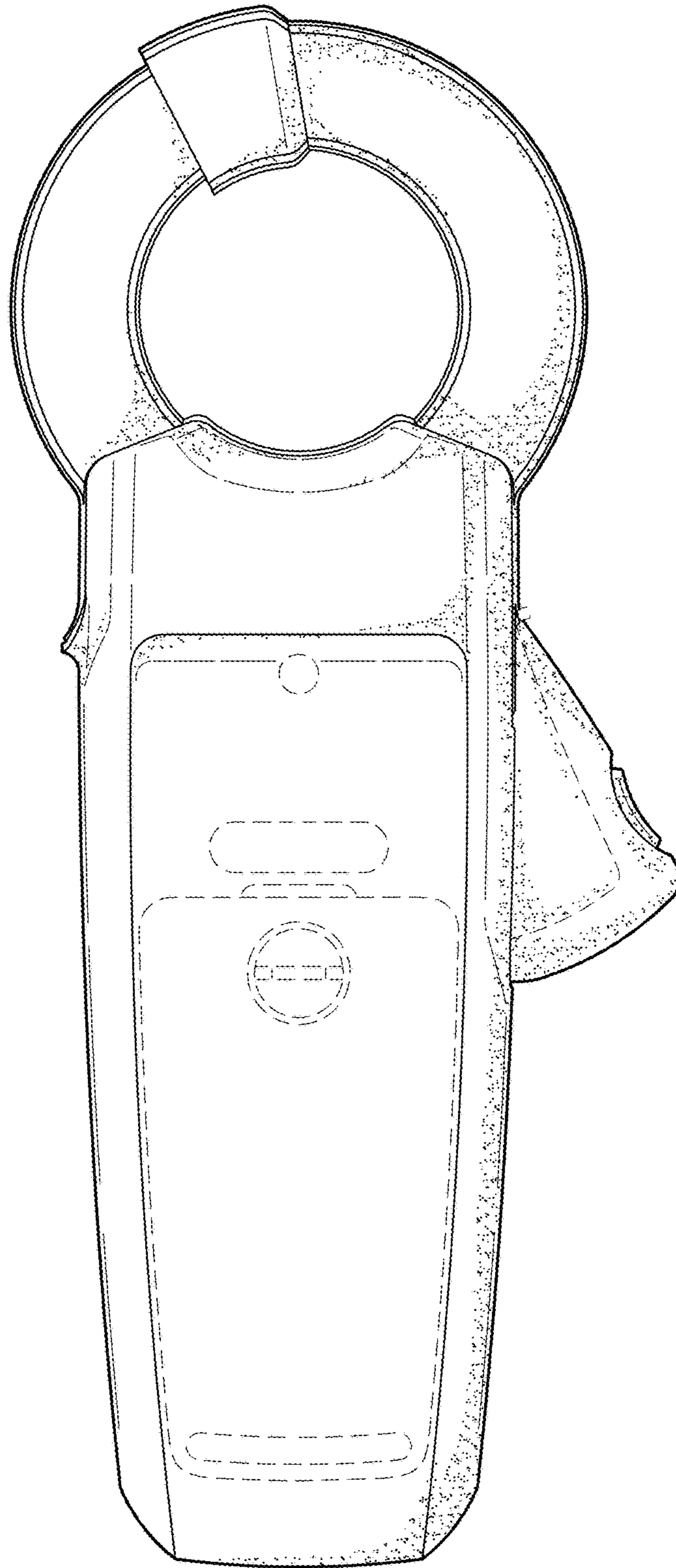


FIG. 3

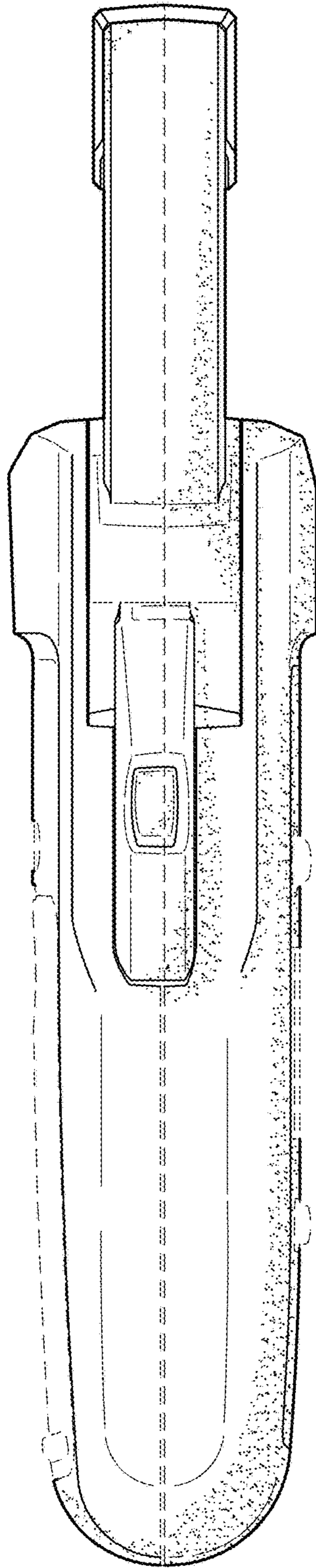


FIG.4

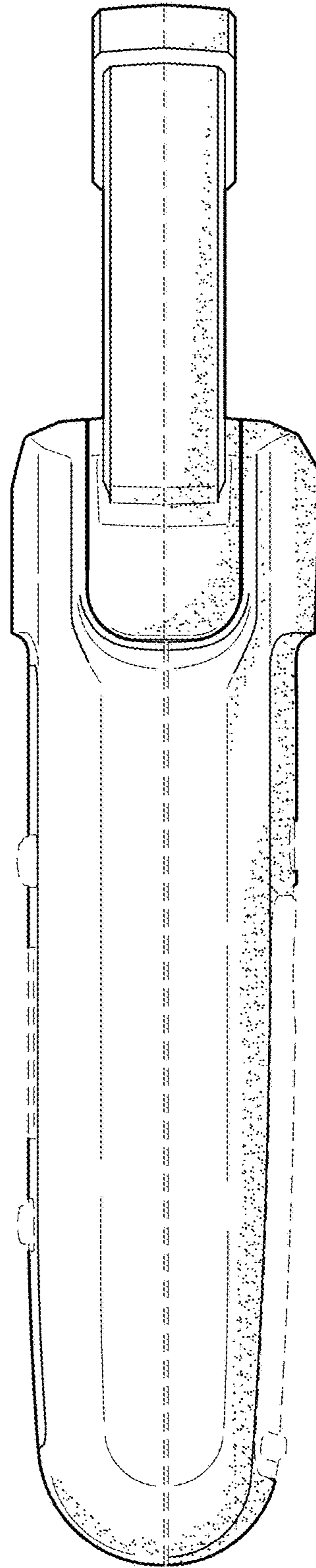


FIG.5

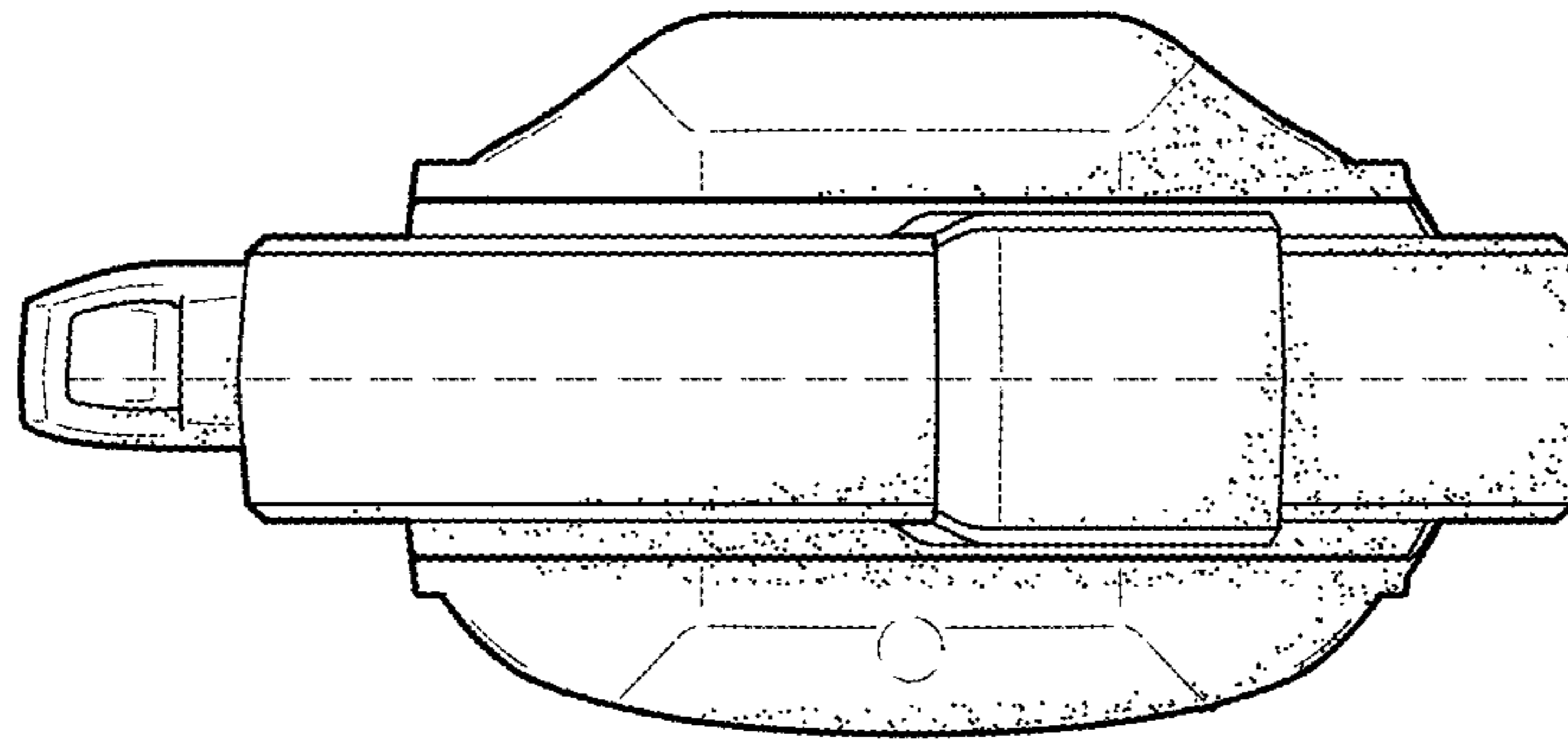


FIG. 6

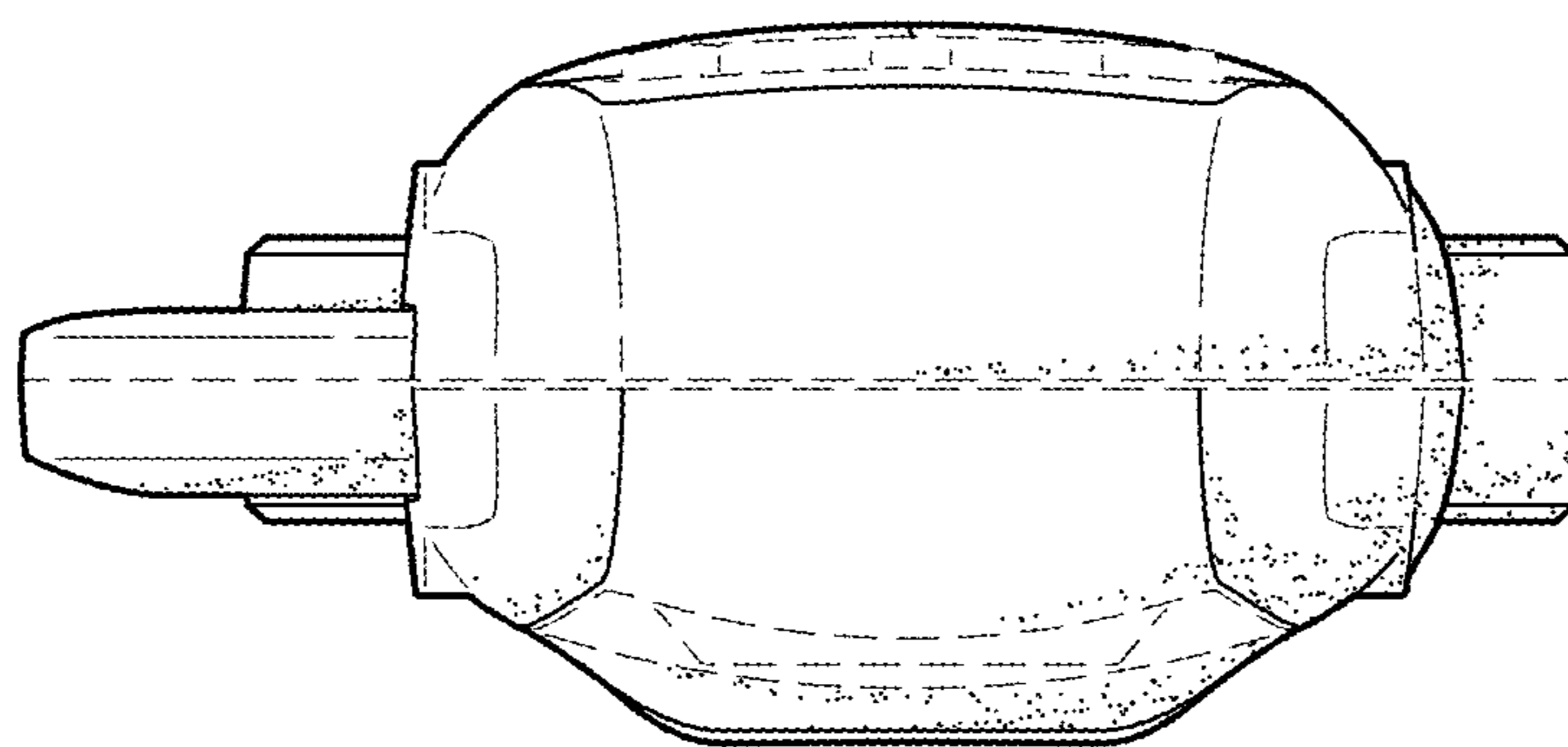


FIG. 7

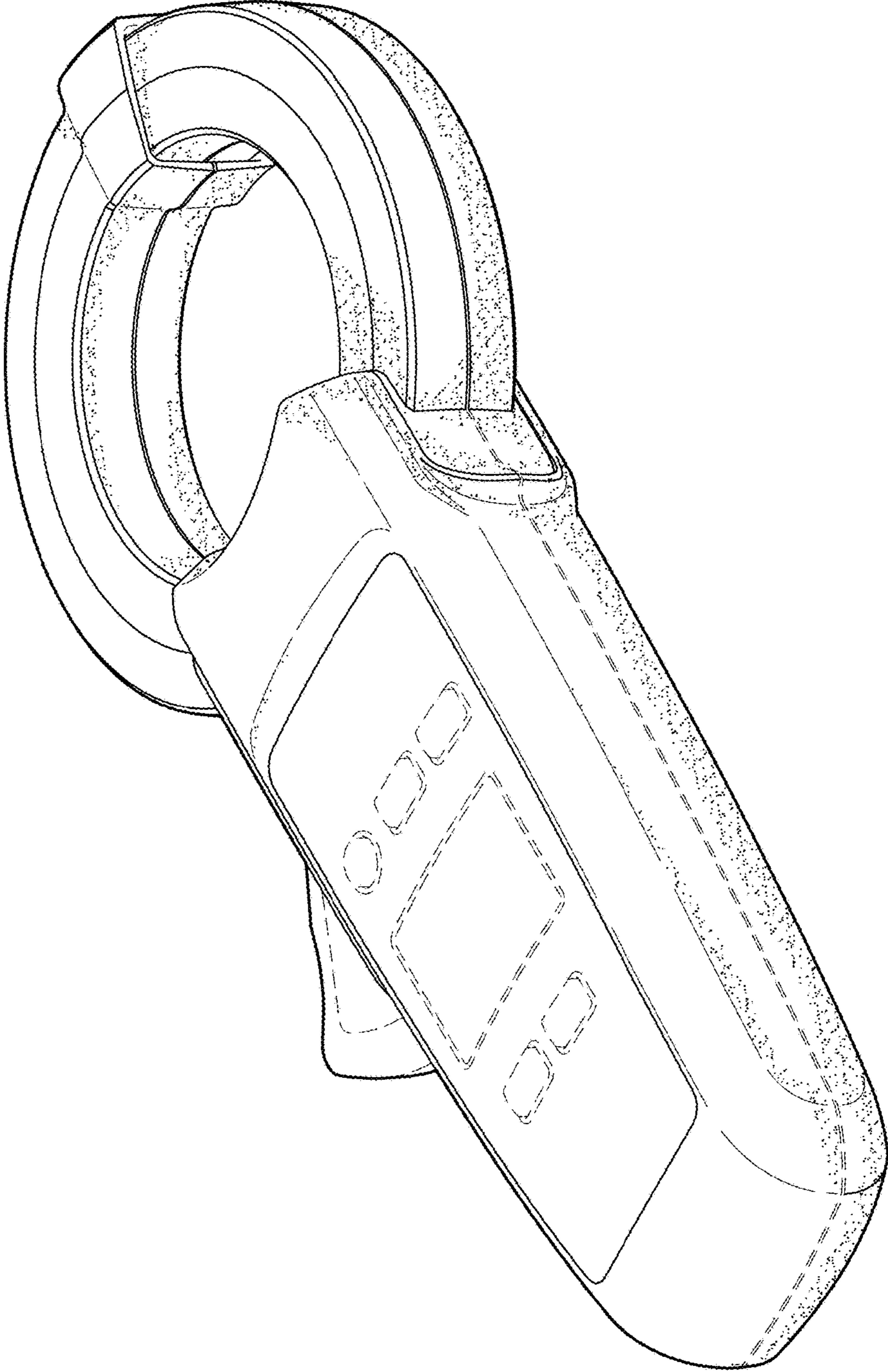


FIG.8

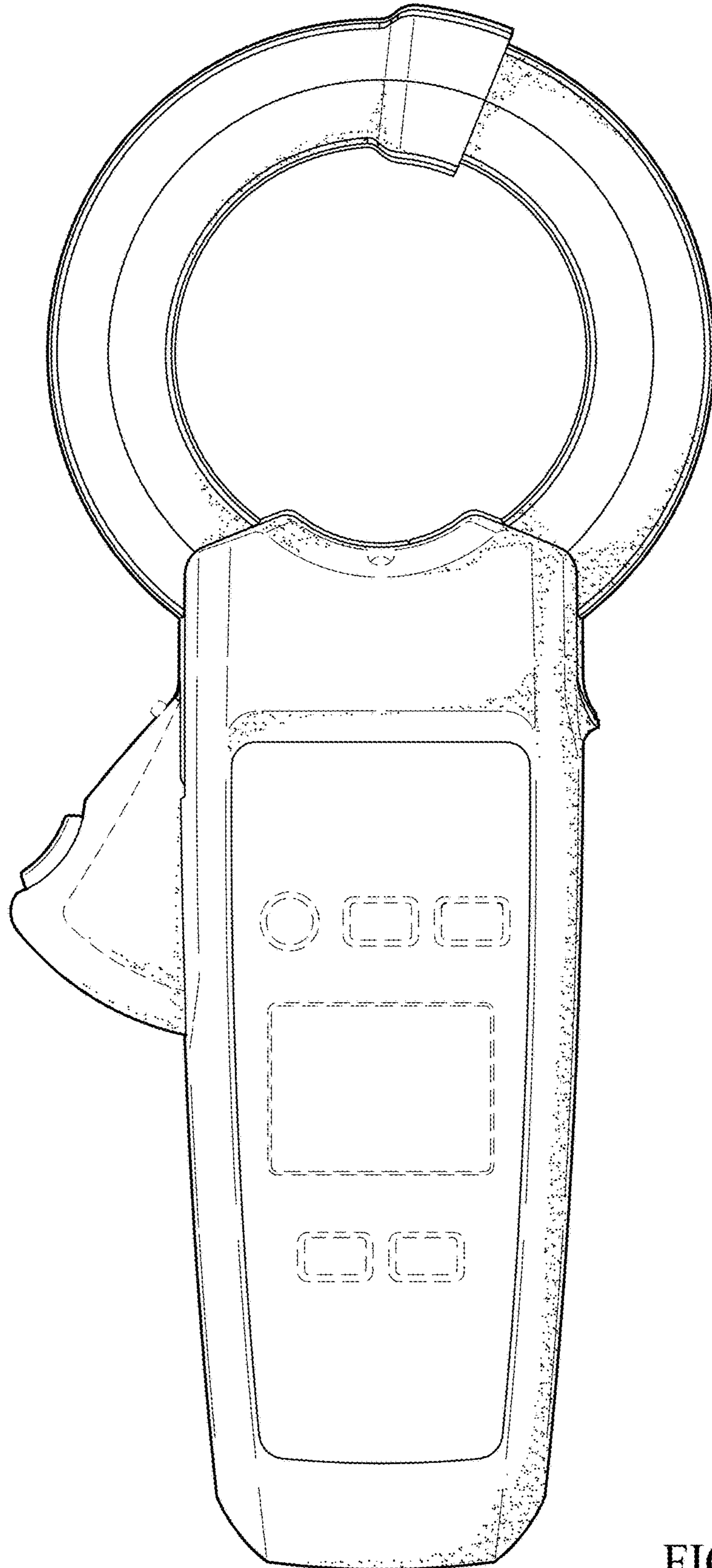


FIG.9

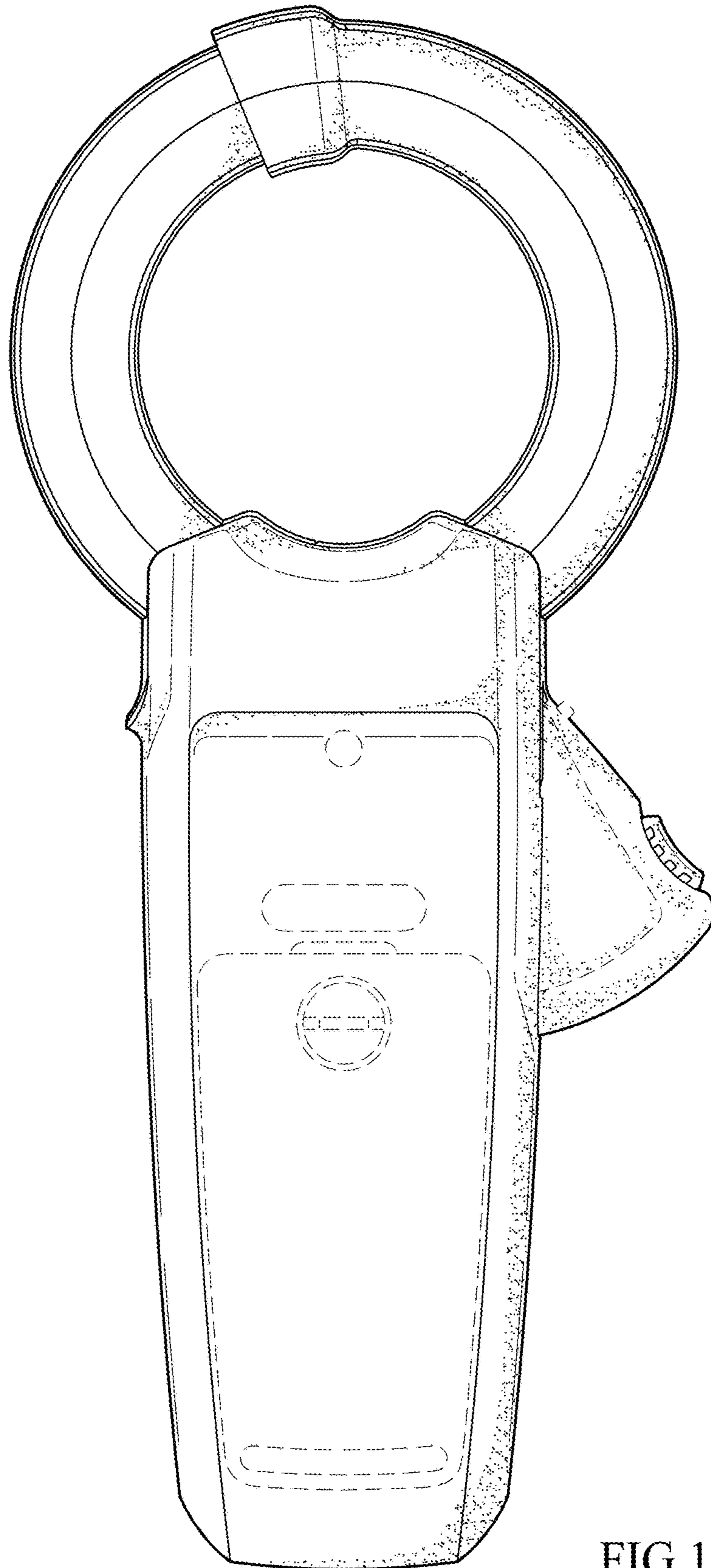


FIG.10

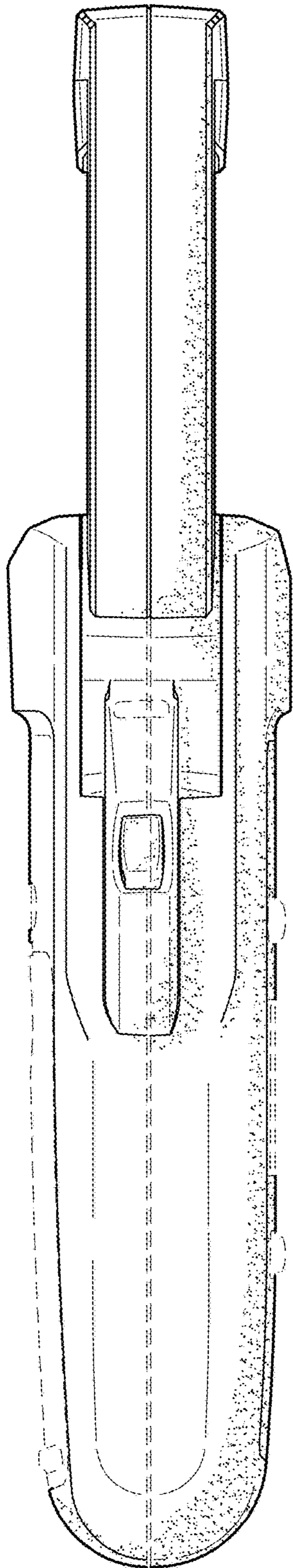


FIG. 11

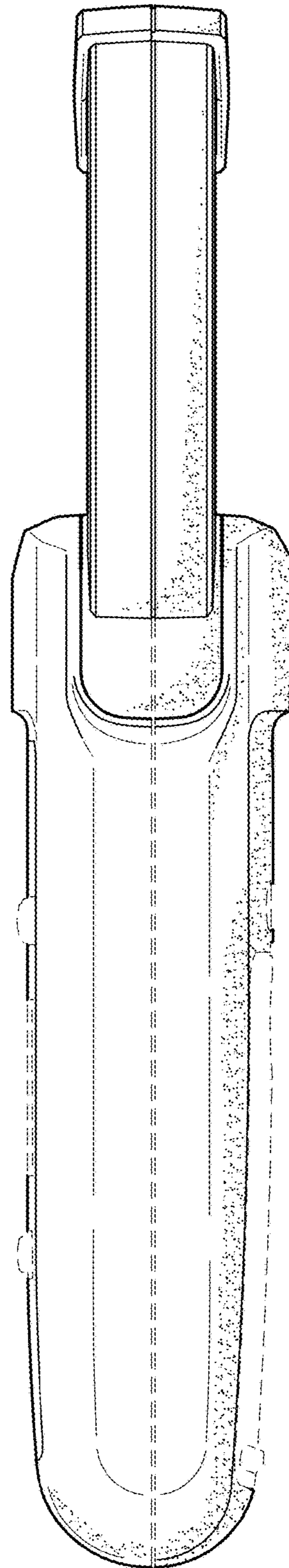


FIG. 12

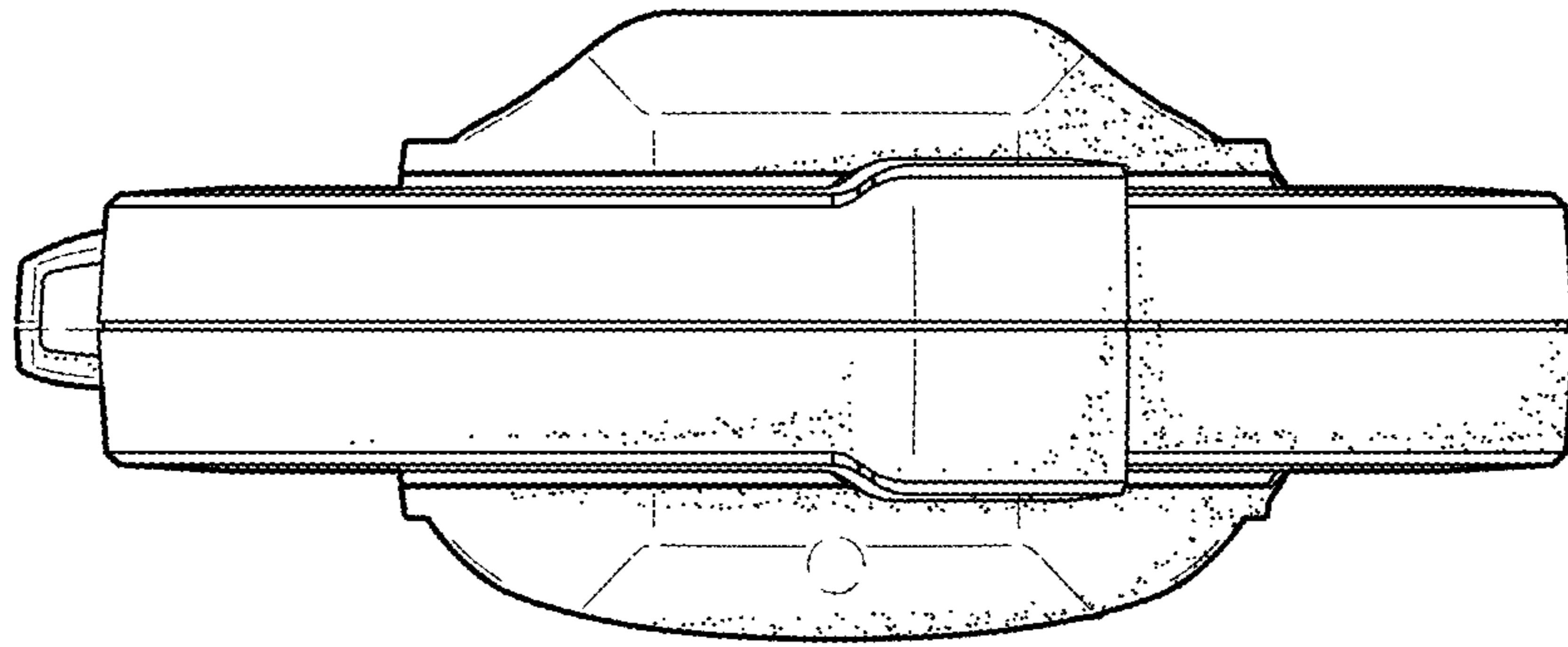


FIG. 13

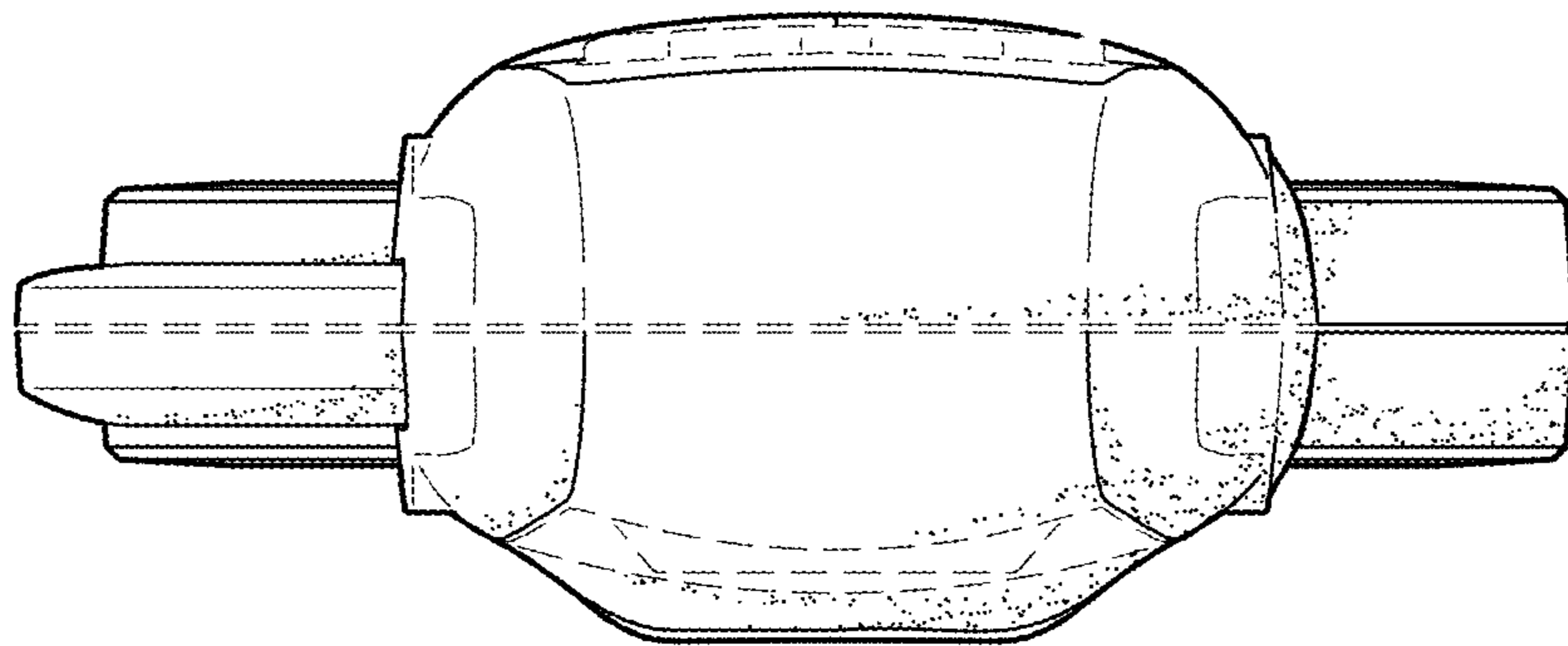


FIG. 14