



US00D844469S

(12) **United States Design Patent** (10) **Patent No.:** **US D844,469 S**
Eisinger (45) **Date of Patent:** **** Apr. 2, 2019**

(54) **CIRCLE COMPASS**

(71) Applicant: **Darren P. Eisinger**, Carpentersville, IL (US)
(72) Inventor: **Darren P. Eisinger**, Carpentersville, IL (US)

(73) Assignee: **Nomis LLC**, Palatine, IL (US)

(**) Term: **15 Years**

(21) Appl. No.: **29/597,394**

(22) Filed: **Mar. 16, 2017**

(51) **LOC (11) Cl.** **08-01**

(52) **U.S. Cl.**
USPC **D10/68; D8/70**

(58) **Field of Classification Search**
USPC D8/70, 354, 355; D10/64, 65, 68, 70, 71;
D15/138, 139, 140; D19/37, 38; 33/431,
33/432, 435, 465, 471, 483-495, 534, 538
CPC B23Q 9/0085; Y10T 83/875; B43L 9/00;
B43L 13/20; B23C 1/20
See application file for complete search history.

(56) **References Cited**

U.S. PATENT DOCUMENTS

D207,794 S * 5/1967 Cherrington D10/62
3,874,810 A * 4/1975 Russell B25H 1/0064
408/110
4,044,805 A 8/1977 Gronholz
D252,615 S * 8/1979 Lopez D10/62
D254,855 S * 4/1980 Corrington D19/38
4,291,735 A 9/1981 Silken
4,306,598 A * 12/1981 Peot B23Q 27/00
144/134.1
4,718,468 A 1/1988 Cowman
D298,807 S * 12/1988 Small D10/62

(Continued)

FOREIGN PATENT DOCUMENTS

EM 004047488 * 8/2017
EP 0469344 A1 2/1992
(Continued)

OTHER PUBLICATIONS

<https://www.milescraft.com/product/circleguidekit/> Jun. 2016 (Year: 2016).*

(Continued)

Primary Examiner — Leanne Was-Englehart

(74) *Attorney, Agent, or Firm* — Reinhart Boerner Van Deuren P.C.

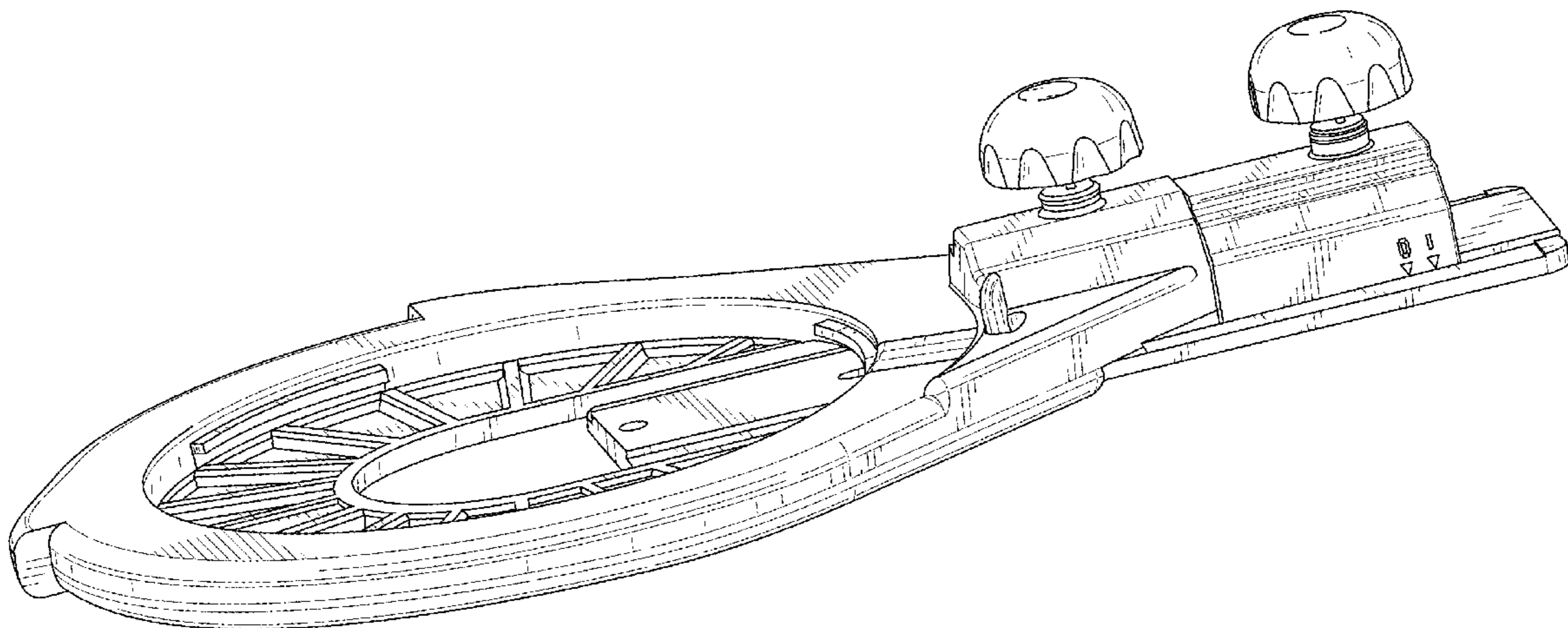
(57) **CLAIM**

I claim the ornamental design for a circle compass, as shown and described.

DESCRIPTION

FIG. 1 is a first top perspective view of the circle compass; FIG. 2 is a second top perspective view of the circle compass; FIG. 3 is a third top perspective view of the circle compass; FIG. 4 is a bottom perspective view of the circle compass; FIG. 5 is a front view of the circle compass; FIG. 6 is a rear view of the circle compass; FIG. 7 is a side view of the circle compass; FIG. 8 is a side view of the circle compass showing the side opposite that shown in FIG. 7; FIG. 9 is a top view of the circle compass; and, FIG. 10 is a bottom view of the circle compass. The ornamental design which is claimed is shown in solid lines in the drawings. Broken lines form no part of the claimed design. The dashed lines shown in the drawings illustrate general environmental features.

1 Claim, 9 Drawing Sheets



(56)

References Cited

U.S. PATENT DOCUMENTS

4,798,506 A * 1/1989 Kulp, Jr. B23C 1/20
144/144.1

4,913,206 A 4/1990 Altinbasak

D316,979 S * 5/1991 Reynolds D10/70

5,038,841 A 8/1991 Larmon

5,117,879 A 6/1992 Payne

D330,337 S * 10/1992 Moss D10/64

D337,501 S * 7/1993 Witt D8/70

D339,814 S * 9/1993 Pepper D15/138

5,289,861 A 3/1994 Hedrick

5,308,201 A 5/1994 Wilson et al.

5,398,740 A 3/1995 Miller

D378,359 S * 3/1997 Stoneberg D10/64

D378,742 S * 4/1997 McDonald D10/68

5,615,485 A * 4/1997 Stoneberg B43L 9/007
33/27.01

D390,240 S * 2/1998 Walden D15/139

D401,168 S * 11/1998 Wallberg D10/68

D402,214 S * 12/1998 Logwood D10/65

D411,959 S * 7/1999 Chan D10/65

D414,436 S * 9/1999 Seppala D10/68

5,983,968 A 11/1999 Newman

D435,465 S * 12/2000 Yusa D10/68

D435,466 S * 12/2000 Yusa D10/68

6,305,447 B1 10/2001 Rousseau

6,427,344 B1 * 8/2002 Smith B43L 9/007
33/27.032

6,520,227 B2 2/2003 McFarlin, Jr. et al.

6,622,762 B2 9/2003 Bergner et al.

7,089,978 B2 8/2006 Karkosch et al.

D636,281 S * 4/2011 Henderson D10/68

D719,469 S * 12/2014 Lane D10/65

D817,201 S * 5/2018 Palin D10/74

D817,202 S * 5/2018 Palin D10/74

2003/0029623 A1* 2/2003 Kopras B25H 1/0078
173/1

2003/0113180 A1 6/2003 Schelberg et al.

2008/0223191 A1* 9/2008 Sargeant B23Q 9/0085
83/565

2009/0038460 A1 2/2009 Fong et al.

FOREIGN PATENT DOCUMENTS

EP 0469538 A1 2/1992

EP 0545142 A1 6/1993

EP 546376 B1 2/1997

WO WO 90/03248 A1 4/1990

OTHER PUBLICATIONS

<https://www.amazon.com/Milescraft-12190003-CircleGuideKit/dp/B0744PD3VS> Aug. 21, 2017 (Year: 2017).*

<https://www.homedepot.com/p/Milescraft-Small-Circle-Compass-7328/303584674> earliest review Jun. 13, 2017 (Year: 2017).*

<https://www.youtube.com/watch?v=Q9d5X6yA2dE> Posted May 23, 2017 (Year: 2017).*

Festool; So Schnell Gibt's Keine Bessere!; Obefräse OF 1400—setzt neue Maßstäbe in ihrer-Klasse, Werkzeuge Für höchste Ansprüche; brochure; Feb., 2004; 4 pages; TTS Systems AG & Co., Wendlingen, DE.

Trend Routing Technology; 2002 Routing Catalogue; 2002; 5 pages.

Bosch Industrial Shop Router, Model 0601617739; Jul. 1998; 2 pages; Robert Bosch Tool Corporation.

Bosch Consumer Information; manual; May 20, 2003; 68 pages; Robert Bosch Tool Corporation.

Milescraft; 1223 Routerguide Kit; <http://www.milescraft.com/product/router-guide-kit/>; date last accessed Apr. 27, 2017.

* cited by examiner

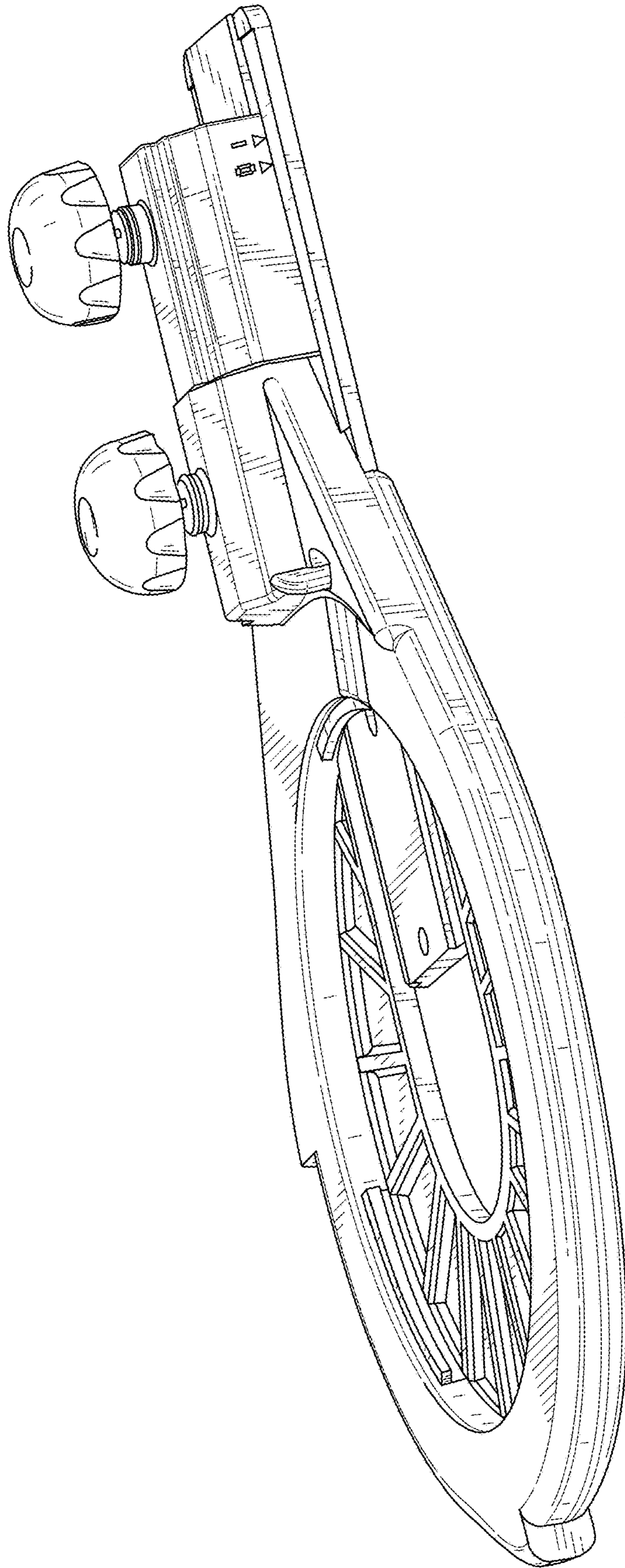


FIG. 1

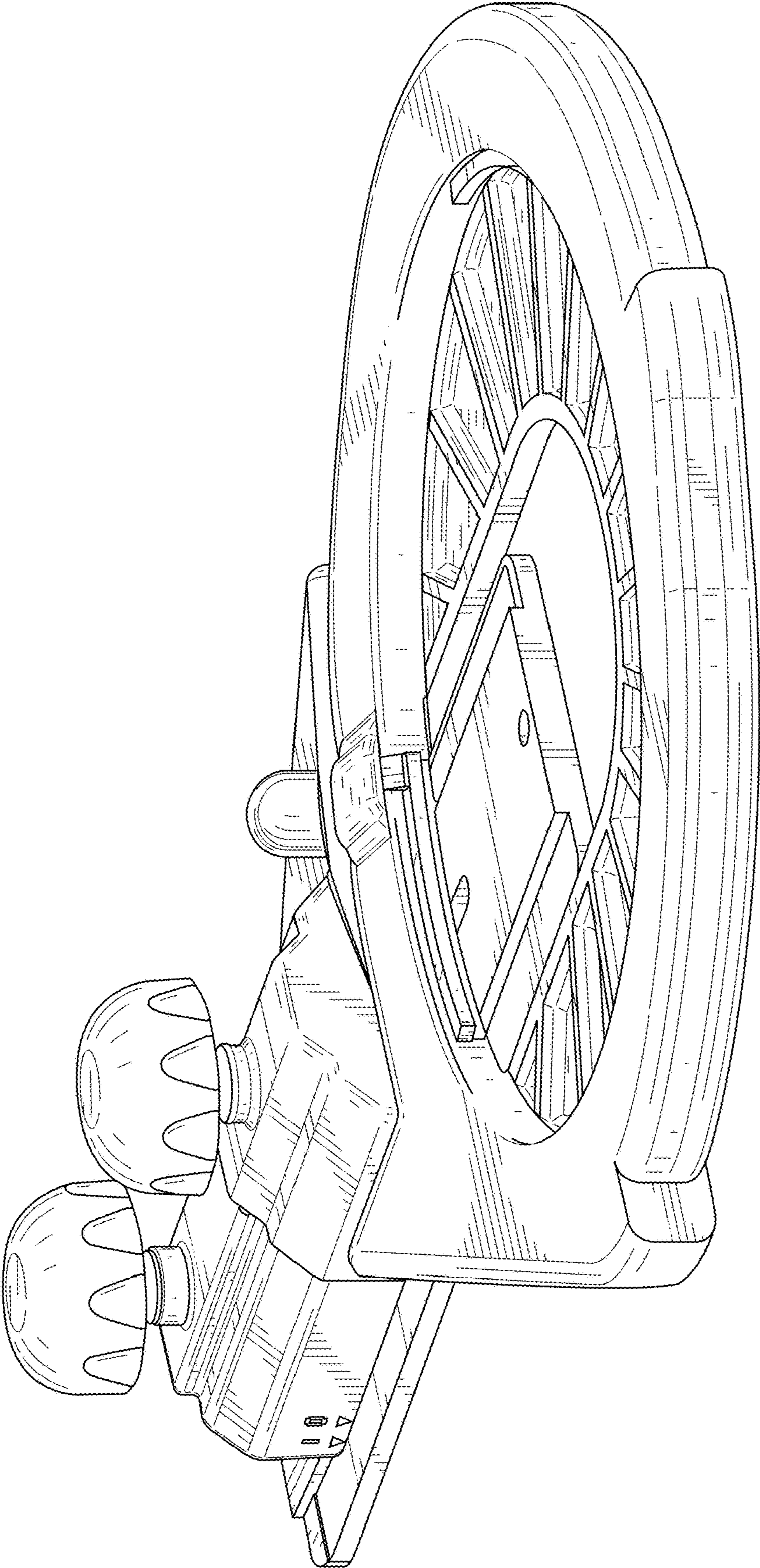


FIG. 2

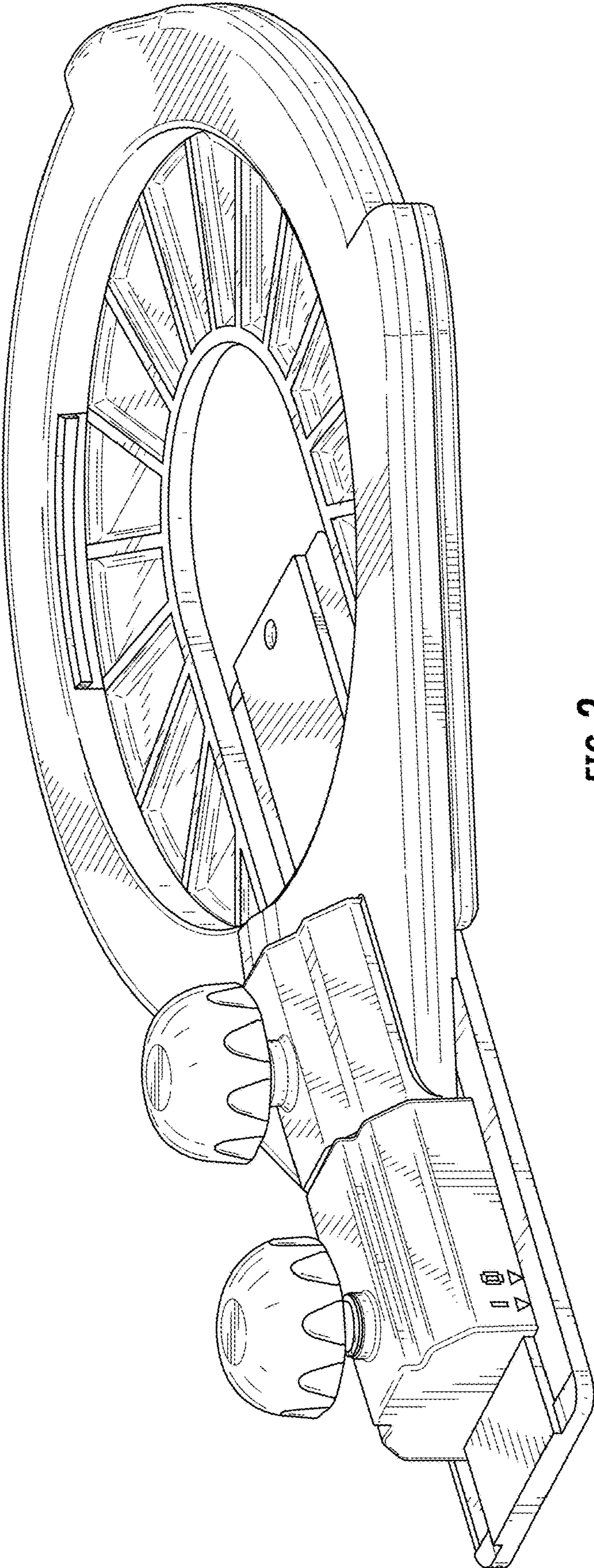


FIG. 3

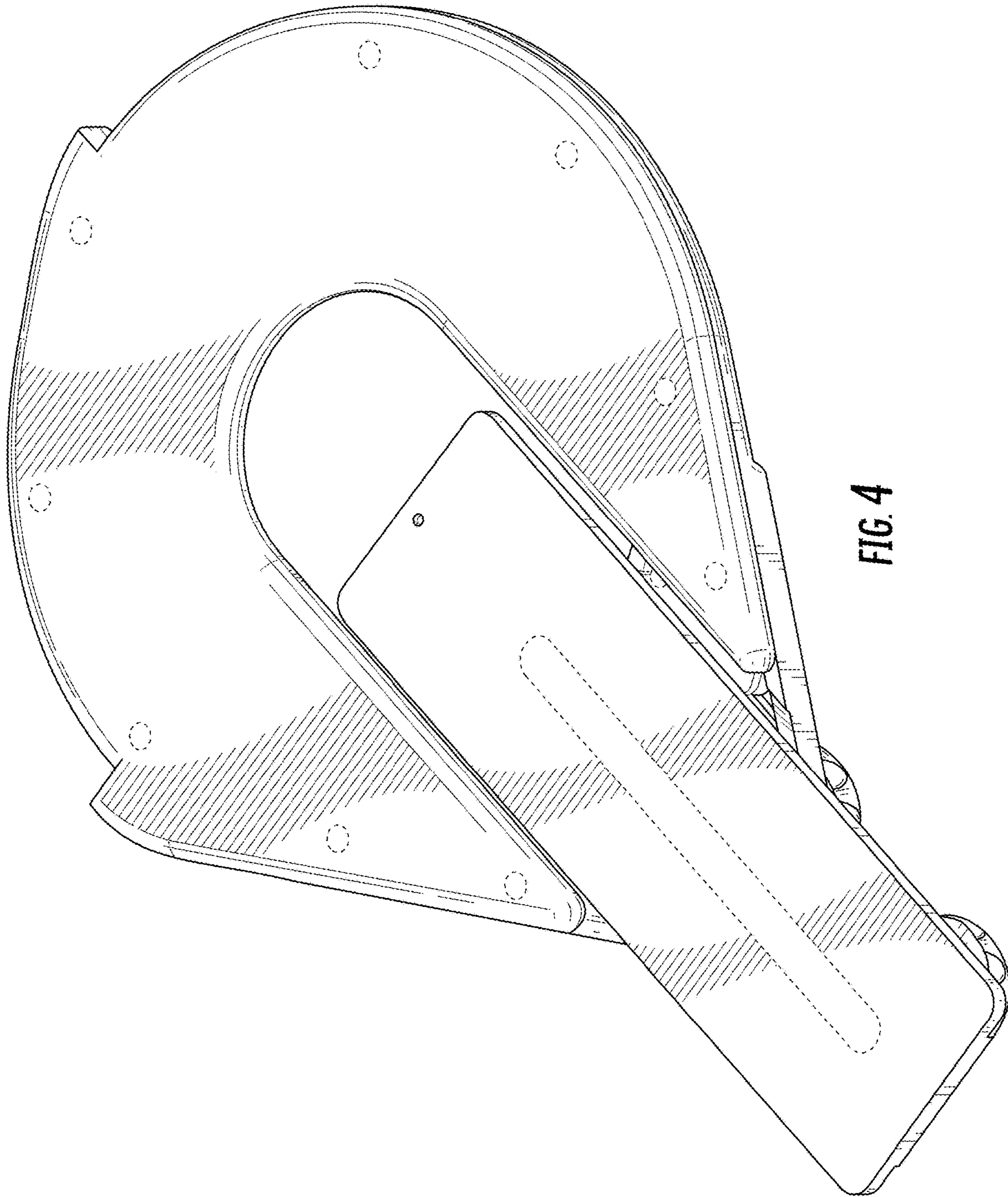


FIG. 4

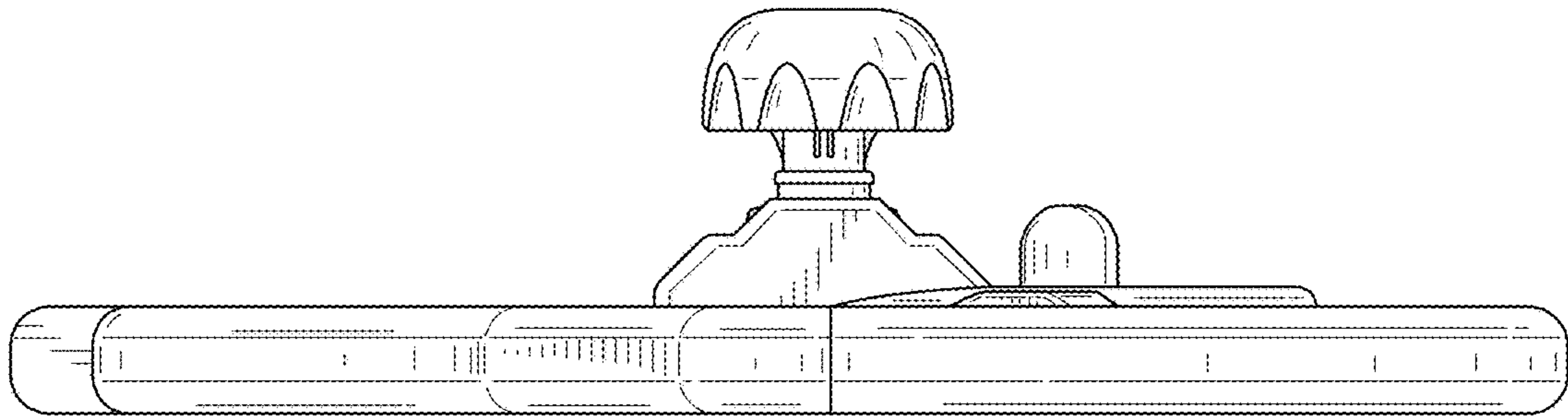


FIG. 5

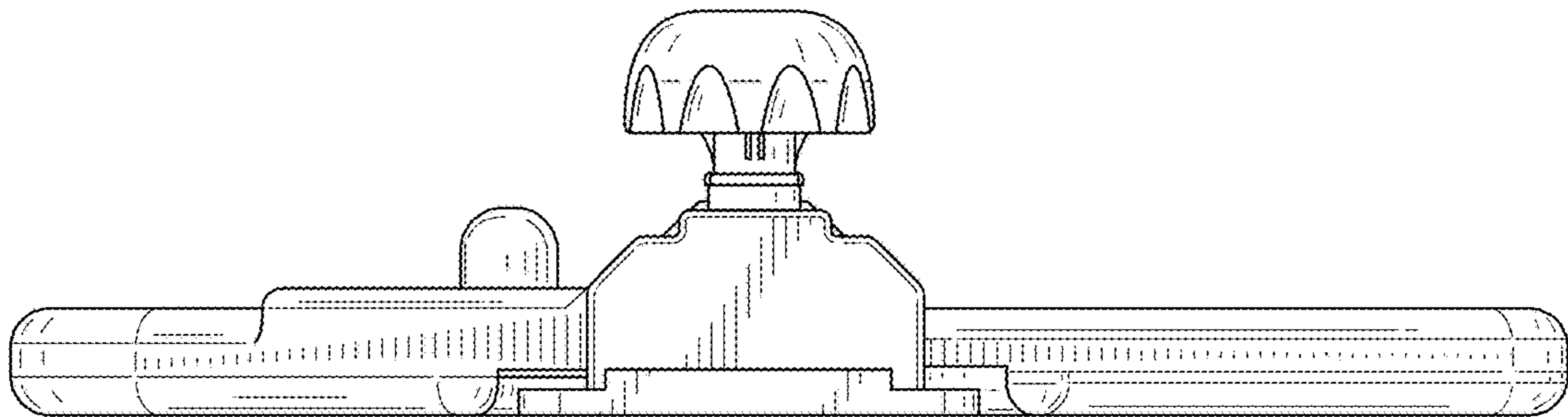


FIG. 6

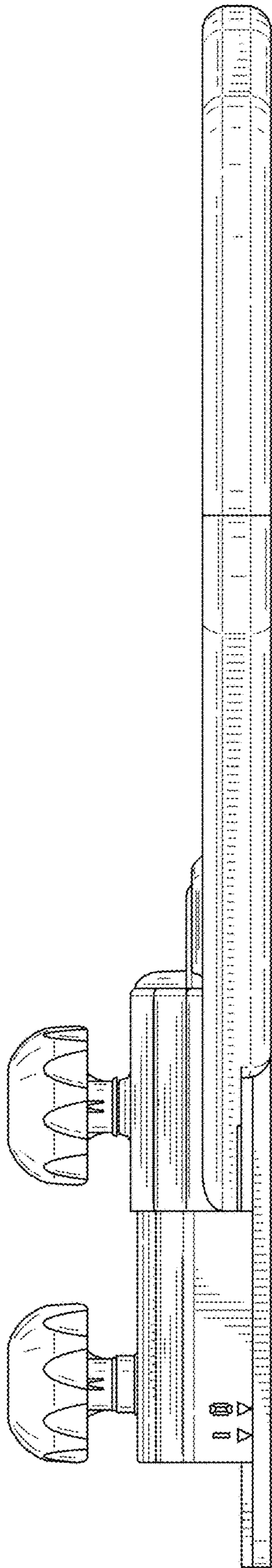


FIG. 7

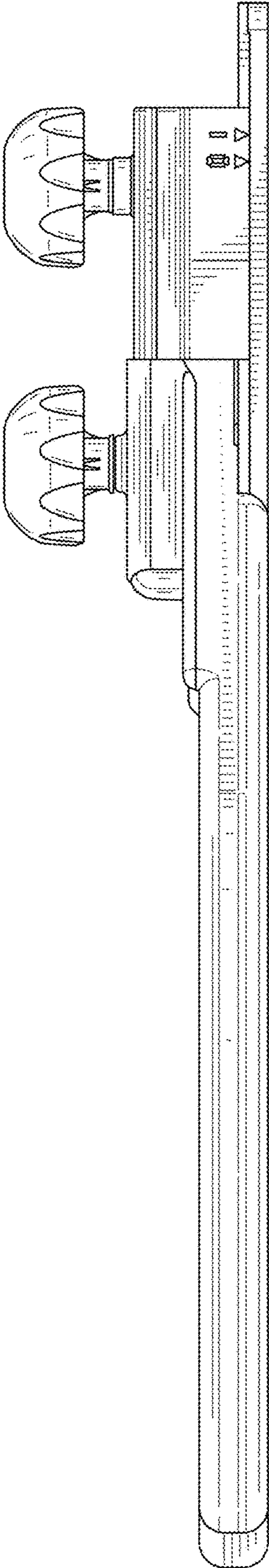


FIG. 8

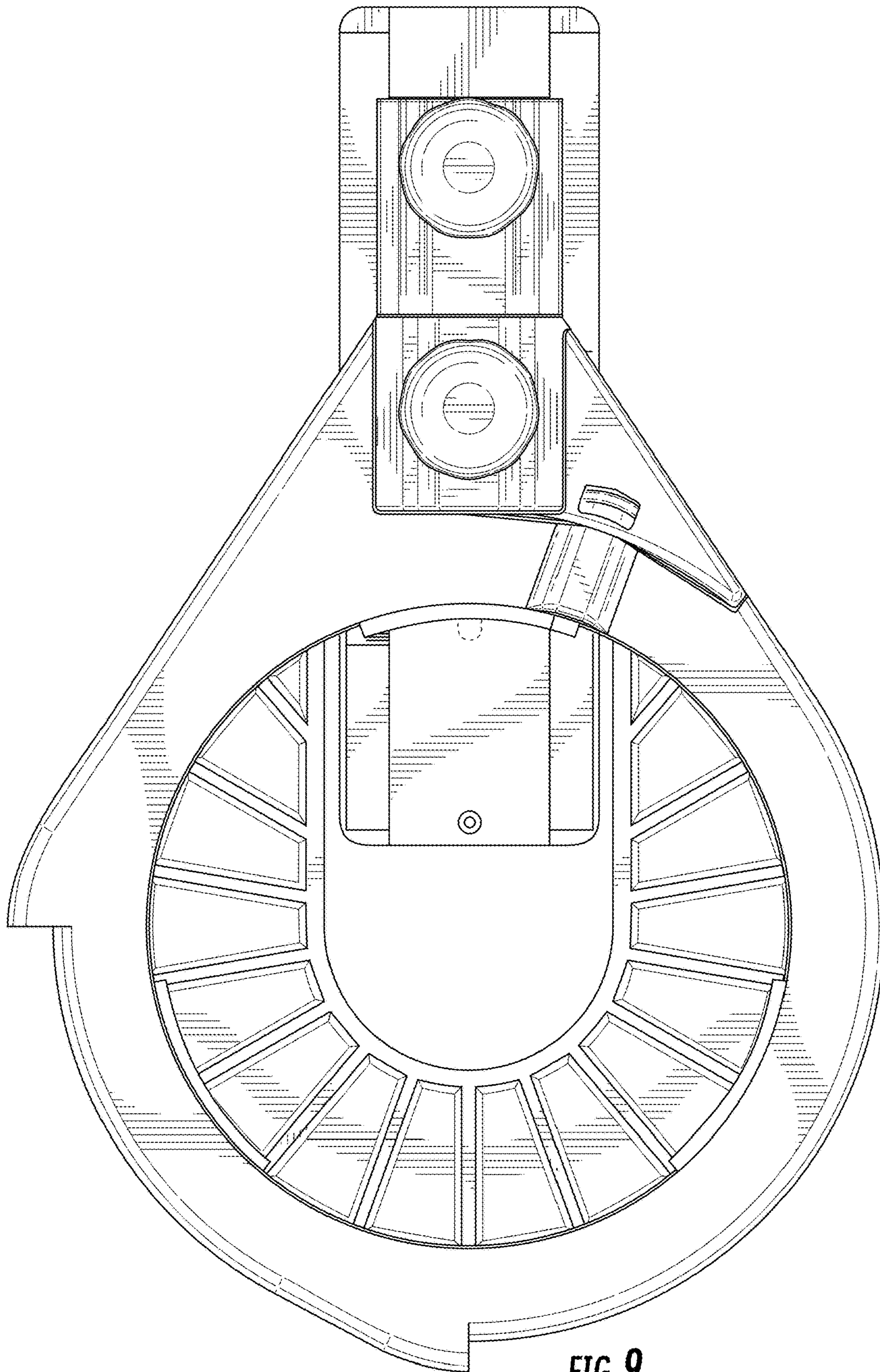


FIG. 9

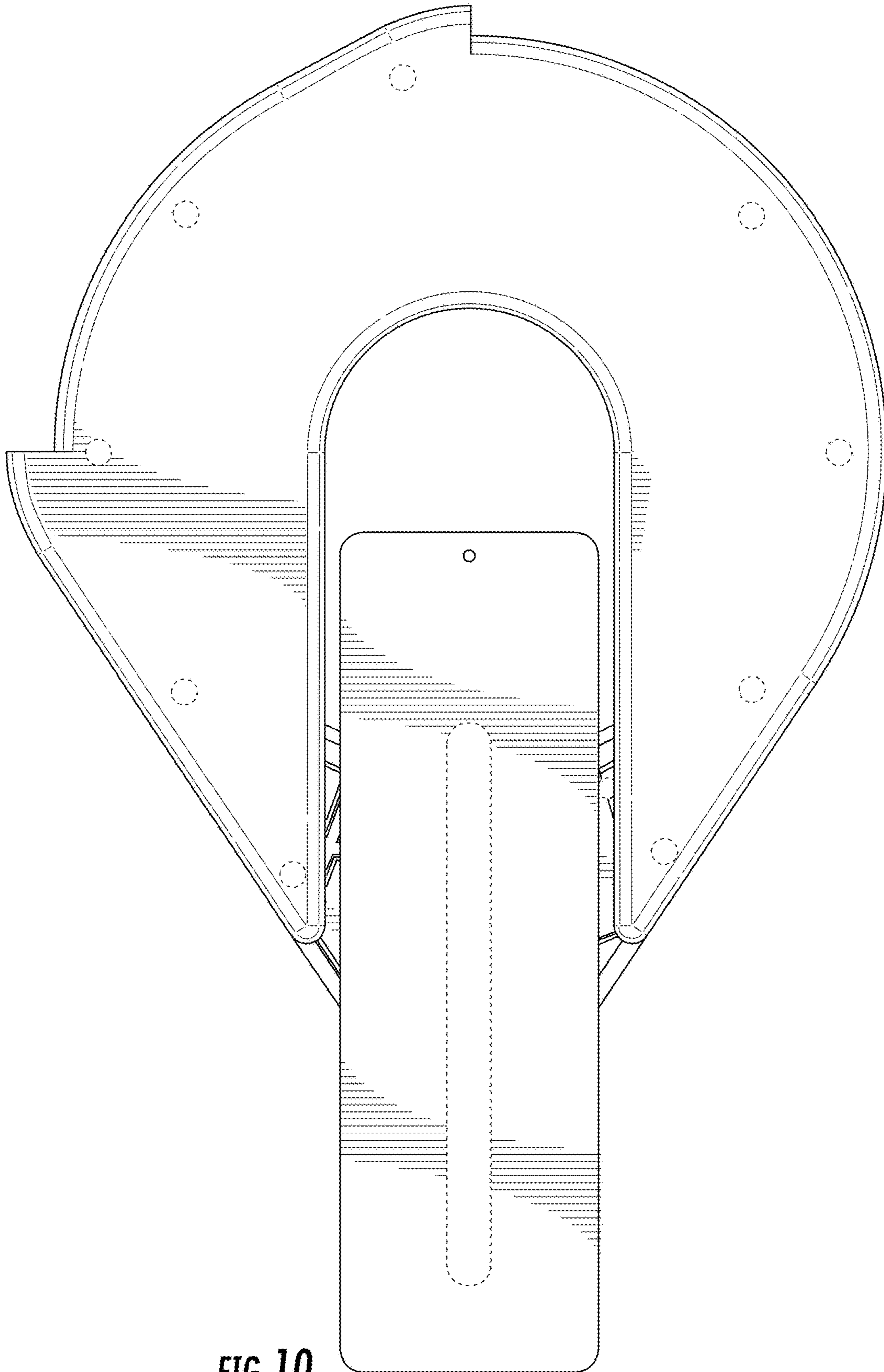


FIG. 10