



US00D844463S

(12) **United States Design Patent** (10) **Patent No.:** **US D844,463 S**
Zhang (45) **Date of Patent:** **** Apr. 2, 2019**

(54) **METAL DETECTOR CONTROL BOX**

(71) Applicant: **SHANGHAI TYMEX INTERNATIONAL TRADE CO., LTD., Shanghai (CN)**

(72) Inventor: **Yueling Zhang, Shanghai (CN)**

(**) Term: **15 Years**

(21) Appl. No.: **29/595,424**

(22) Filed: **Feb. 28, 2017**

(51) **LOC (11) Cl.** **10-05**

(52) **U.S. Cl.**
USPC **D10/47**

(58) **Field of Classification Search**
USPC D10/46, 47
CPC . G01V 3/10; G01V 3/15; G01V 3/107; G01V 3/165; F41H 11/136
See application file for complete search history.

(56) **References Cited**

U.S. PATENT DOCUMENTS

- 3,823,365 A * 7/1974 Anderson G01V 3/15
324/236
- D274,607 S * 7/1984 Schaefer D10/47
- D274,704 S * 7/1984 Garrett D10/47
- 5,148,151 A * 9/1992 Podhrasky G01V 3/105
324/329
- D333,990 S * 3/1993 Johnson D10/46
- D377,908 S * 2/1997 Yue D10/47
- D419,458 S * 1/2000 Adolphs D10/46
- D486,080 S * 2/2004 Hu D10/47
- D486,081 S * 2/2004 Wu D10/47
- D533,792 S * 12/2006 Johnson D10/47
- D592,981 S * 5/2009 Chuan D10/47
- D593,427 S * 6/2009 Ping D10/47
- D605,956 S * 12/2009 Hu D10/47
- D652,330 S * 1/2012 Arnold D10/47
- D686,924 S * 7/2013 McQuillen D10/47
- D690,213 S * 9/2013 Walsh D10/47
- D719,853 S * 12/2014 Manneschi D10/103
- 9,041,401 B2 * 5/2015 Andel B25G 1/04
324/326

- D756,247 S * 5/2016 Pollock D10/47
- 9,395,462 B2 * 7/2016 Walsh G01V 3/10
- 9,864,089 B2 * 1/2018 Andel F41H 11/136
- 2009/0009173 A1 * 1/2009 Loubet G01V 3/104
324/327
- 2014/0139210 A1 * 5/2014 Walsh G01V 3/10
324/239
- 2016/0231448 A1 * 8/2016 Andel G01V 3/15

FOREIGN PATENT DOCUMENTS

- CN 302942893 * 9/2014
- CN 303142249 * 3/2015

OTHER PUBLICATIONS

<https://www.jpennney.com/p/winbest-pro-300-edition-metal-detector/ppr5007395859?pTmplType=regular&catId=cat100210002&deptId=dept20000011&urlState=/g/metal-detectors-patio-furniture-sets/N-bwo3vD1nnuj6Z1z0pj19> Uploaded Oct. 10, 2017 (Year: 2017).*

* cited by examiner

Primary Examiner — Leanne Was-Englehart

(74) *Attorney, Agent, or Firm* — Wayne & King LLC

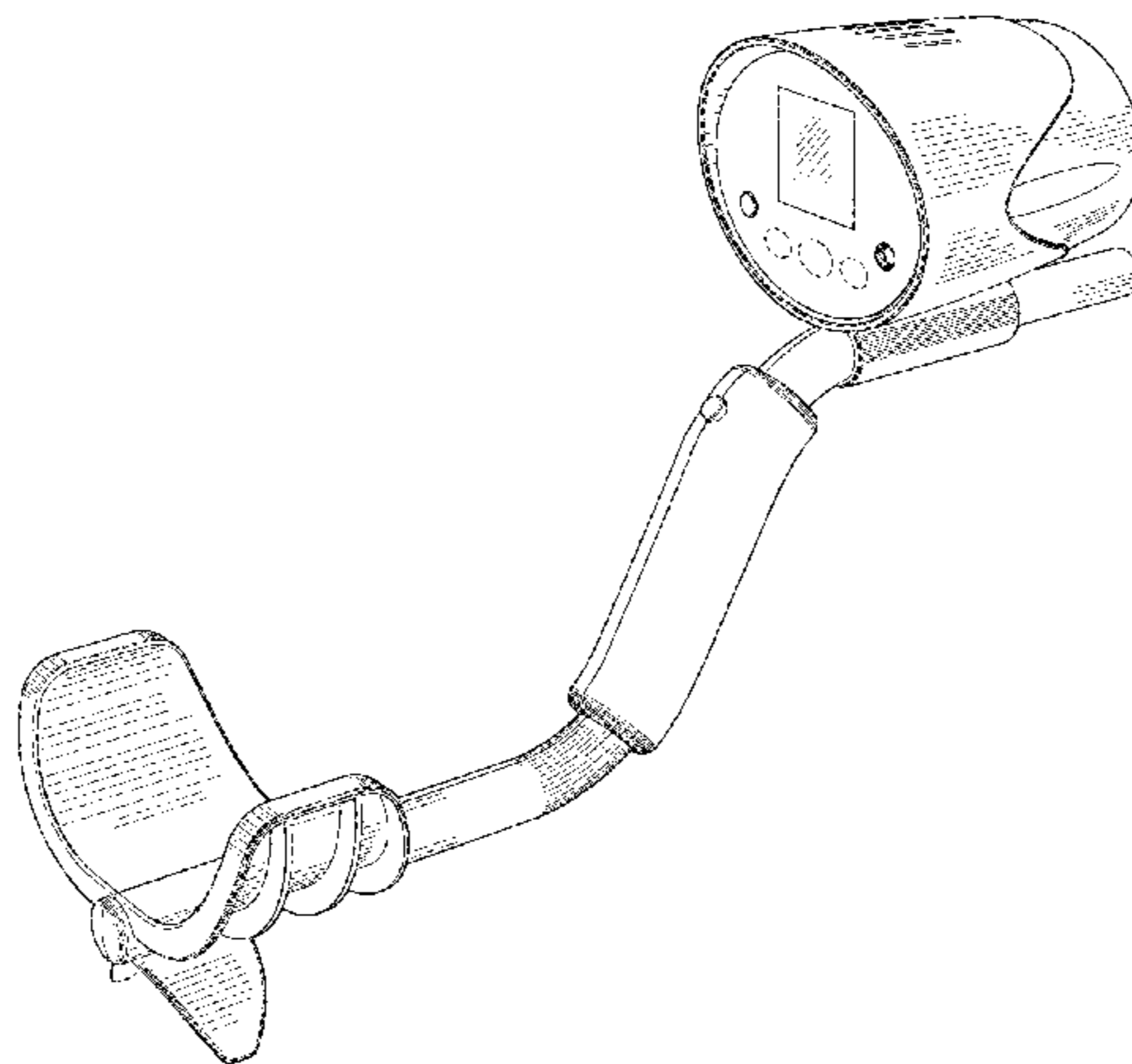
(57) **CLAIM**

The ornamental design for a metal detector control box, as shown and described.

DESCRIPTION

FIG. 1 is a front elevational view of a metal detector control box showing my new design; FIG. 2 is a rear elevational view thereof; FIG. 3 is a left side view thereof; FIG. 4 is a right side view thereof; FIG. 5 is a top plan view thereof; FIG. 6 is a bottom plan view thereof; and, FIG. 7 is a perspective view thereof. The portions of the article shown in broken lines form no part of the claimed design.

1 Claim, 7 Drawing Sheets



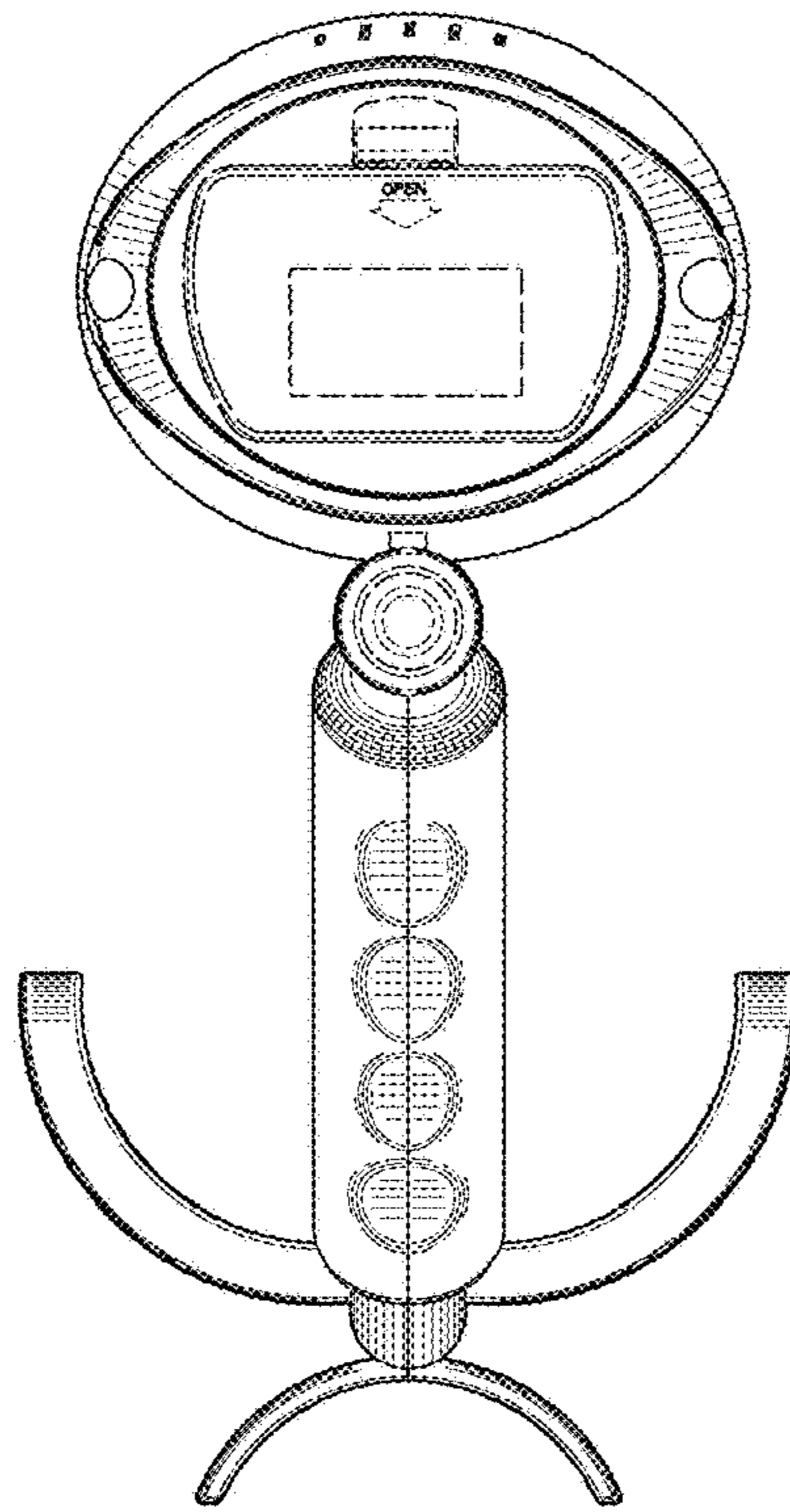


FIG. 1

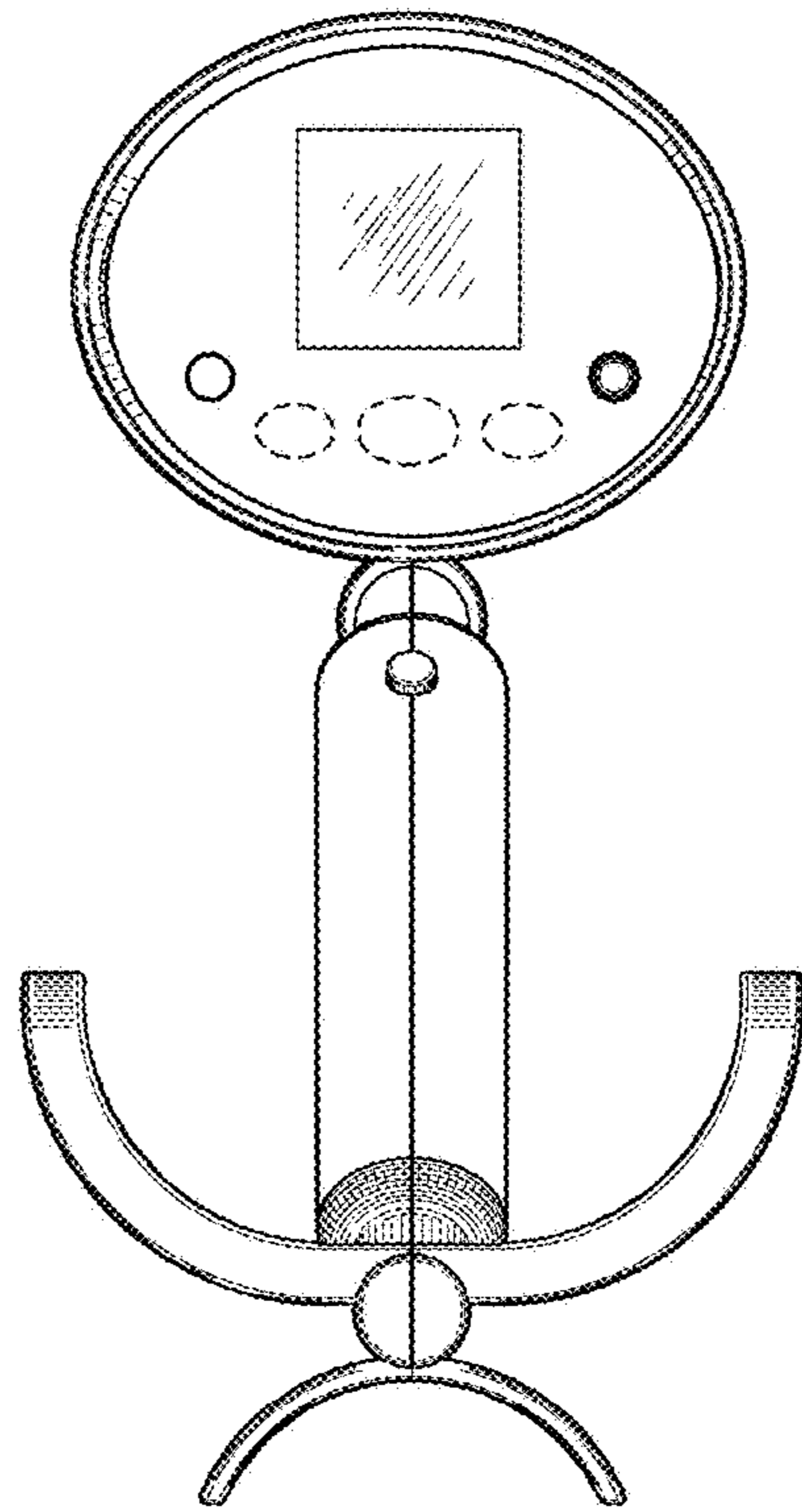


FIG.2

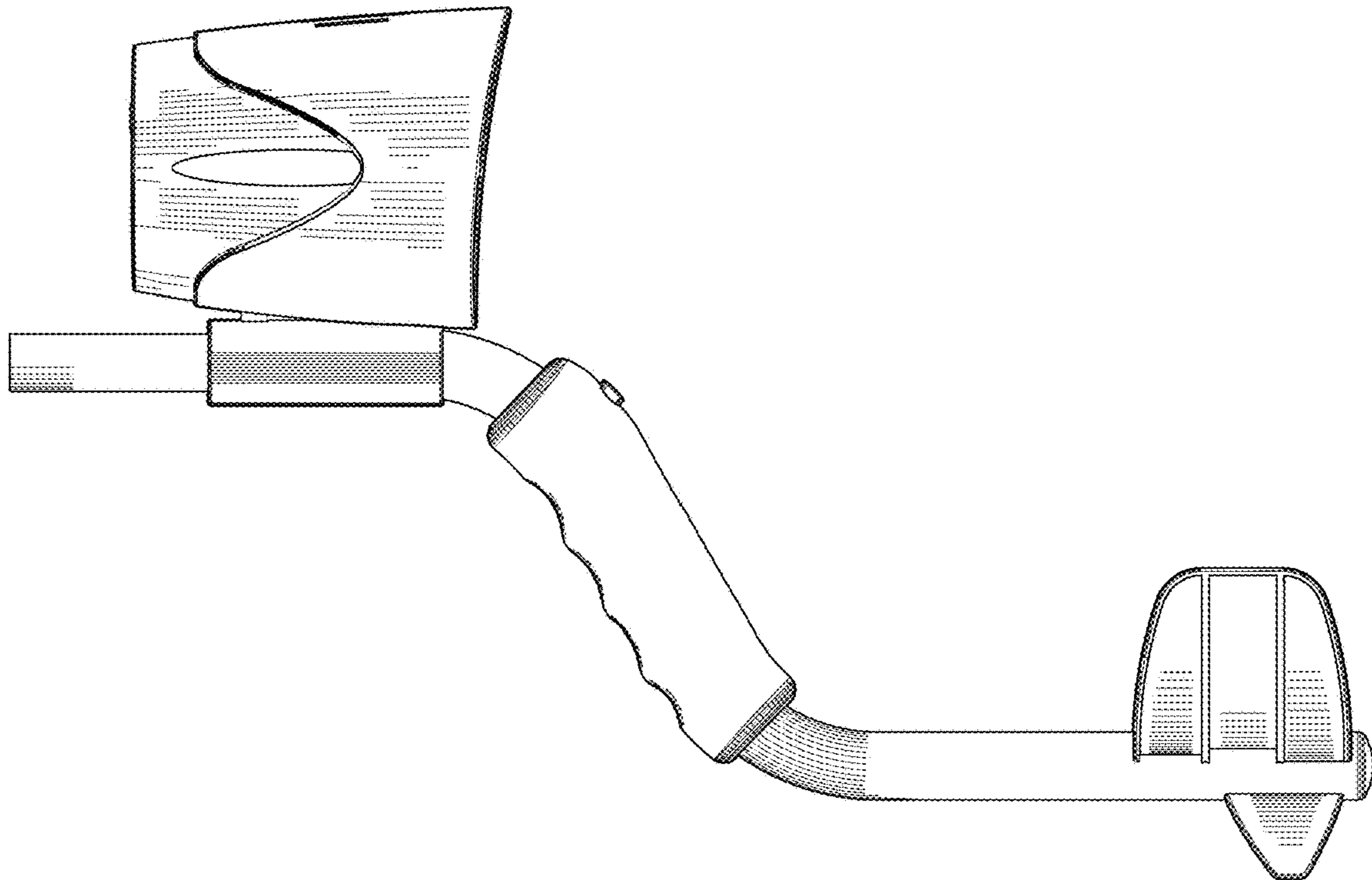


FIG.3

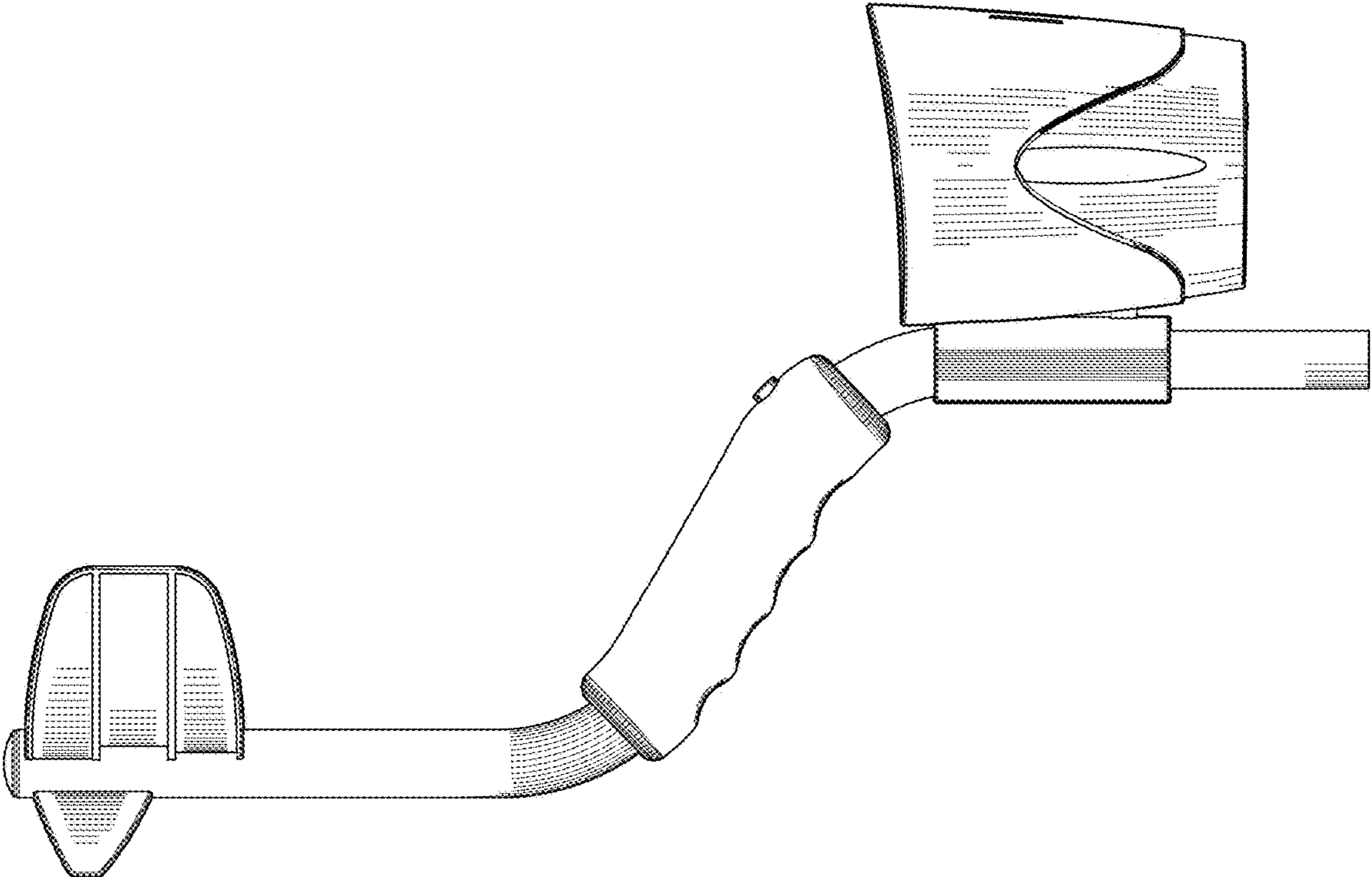


FIG.4

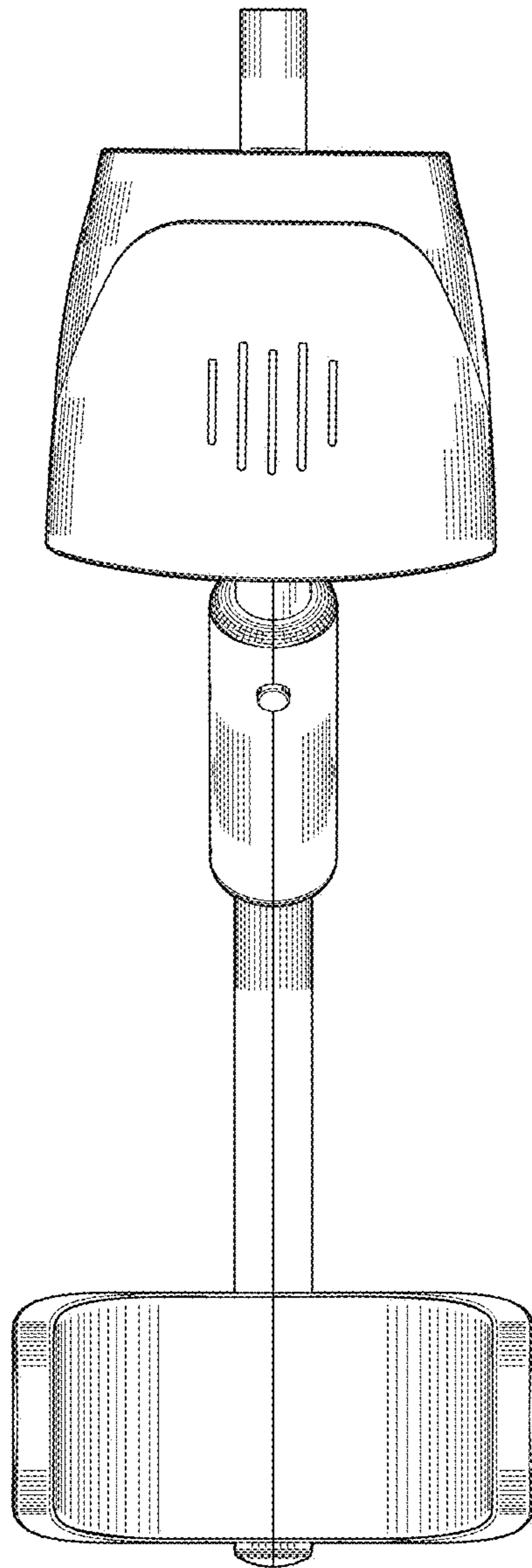


FIG.5

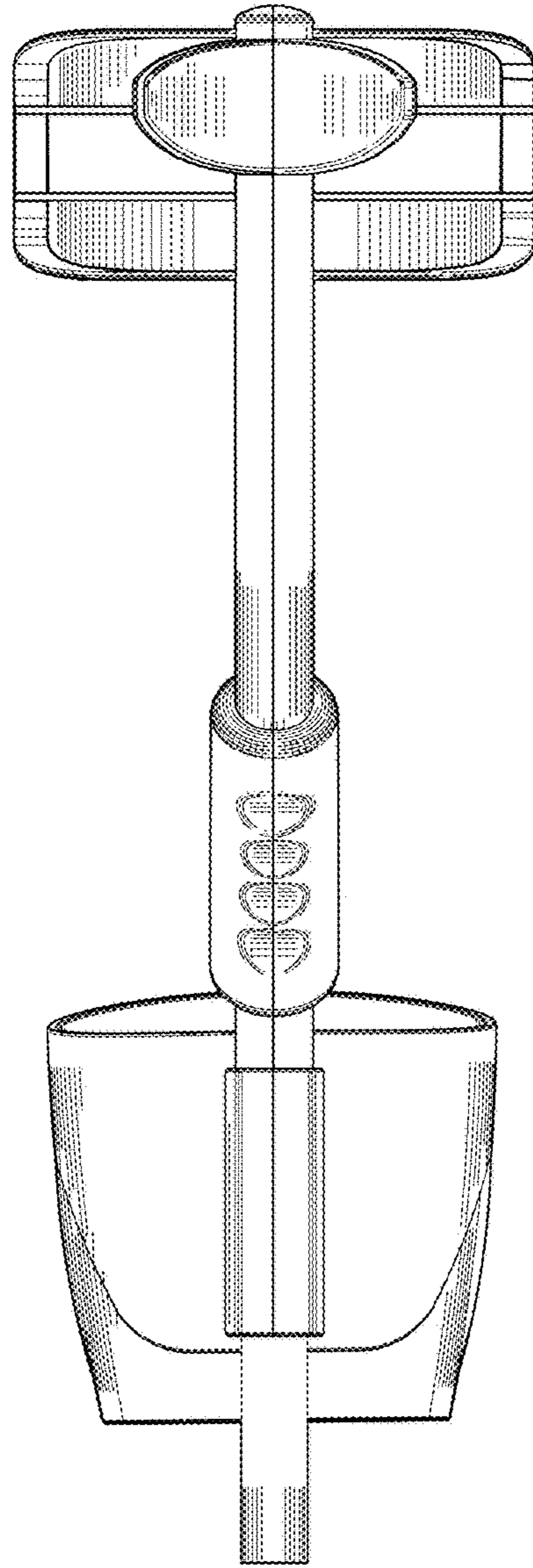


FIG. 6

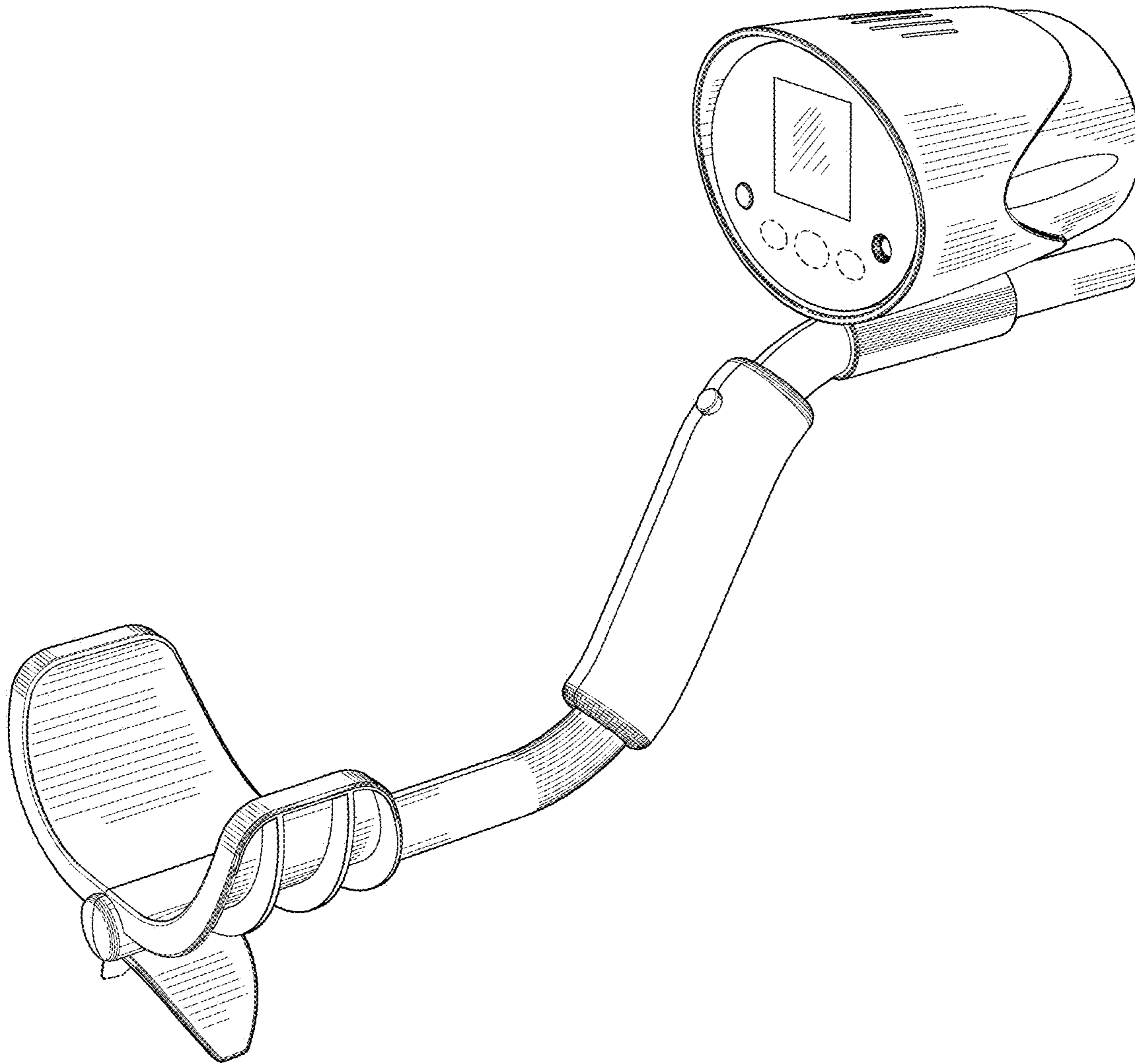


FIG.7