

US00D844462S

(12) **United States Design Patent** (10) **Patent No.:** **US D844,462 S**  
**Griffin et al.** (45) **Date of Patent:** **\*\* Apr. 2, 2019**

(54) **METAL DETECTOR**

(71) Applicant: **First Texas Products, LLC**, El Paso, TX (US)

(72) Inventors: **John Griffin**, Las Cruces, NM (US);  
**William A. Rademacher**, El Paso, TX (US)

(\*\*) Term: **15 Years**

(21) Appl. No.: **29/594,449**

(22) Filed: **Feb. 17, 2017**

(51) **LOC (11) Cl.** ..... **10-05**

(52) **U.S. Cl.**  
USPC ..... **D10/47**

(58) **Field of Classification Search**  
USPC ..... D10/46, 47  
CPC . G01V 3/10; G01V 3/15; G01V 3/107; G01V 3/165; F41H 11/136  
See application file for complete search history.

(56) **References Cited**

**U.S. PATENT DOCUMENTS**

D222,844 S *	1/1972	Doss	.....	D10/103
3,823,365 A *	7/1974	Anderson	.....	G01V 3/15 324/236
D274,607 S *	7/1984	Schaefer	.....	D10/47
D274,704 S *	7/1984	Garrett	.....	D10/47
D377,908 S *	2/1997	Yue	.....	D10/47
D419,458 S *	1/2000	Adolphs	.....	D10/46
D486,080 S *	2/2004	Hu	.....	D10/47
D486,081 S *	2/2004	Wu	.....	D10/47
D533,792 S *	12/2006	Johnson	.....	D10/47
D592,981 S *	5/2009	Chuan	.....	D10/47
D652,330 S *	1/2012	Arnold	.....	D10/47
D686,924 S *	7/2013	McQuillen	.....	D10/47
D719,853 S *	12/2014	Manneschi	.....	D10/103
D756,247 S *	5/2016	Pollock	.....	D10/47

9,395,462 B2 *	7/2016	Walsh	.....	G01V 3/10
9,864,089 B2 *	1/2018	Andel	.....	F41H 11/136
2014/0139210 A1 *	5/2014	Walsh	.....	G01V 3/10 324/239
2016/0231448 A1 *	8/2016	Andel	.....	G01V 3/15

**FOREIGN PATENT DOCUMENTS**

EM 002227306-0001 \* 5/2013

**OTHER PUBLICATIONS**

<https://www.youtube.com/watch?v=fVe7Thf5Ksk> Posted Oct. 6, 2016 (Year: 2016).\*  
<https://www.youtube.com/watch?v=iMv8iXtO-F0> Posted Oct. 17, 2015 (Year: 2015).\*  
<https://www.smarterhobby.com/metal-detecting/best-bounty-hunter-metal-detectors/> Uploaded Jun. 2017 (Year: 2017).\*

\* cited by examiner

*Primary Examiner* — Leanne Was-Englehart  
(74) *Attorney, Agent, or Firm* — Global Intellectual Property Agency, LLC; Daniel Boudwin

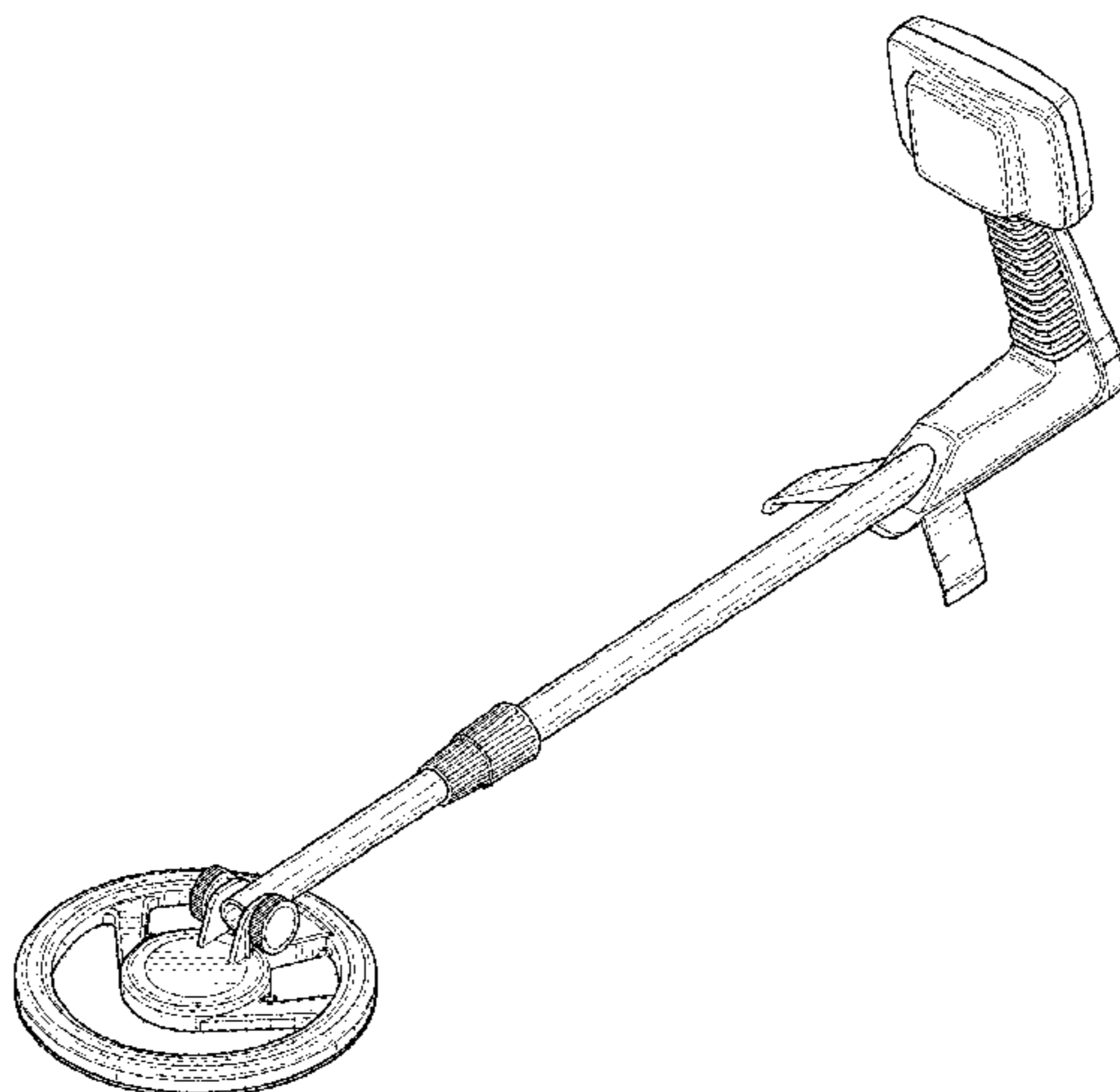
(57) **CLAIM**

The ornamental design for a metal detector, as shown and described.

**DESCRIPTION**

FIG. 1 shows a perspective view of a metal detector.  
FIG. 2 shows a right side elevation view thereof.  
FIG. 3 shows a left side elevation view thereof.  
FIG. 4 shows a front elevation view thereof.  
FIG. 5 shows a rear elevation view thereof.  
FIG. 6 shows a top elevation view thereof; and,  
FIG. 7 shows a bottom elevation view thereof.  
The broken lines depict portions of the metal detector that form no part of the claimed design.

**1 Claim, 6 Drawing Sheets**



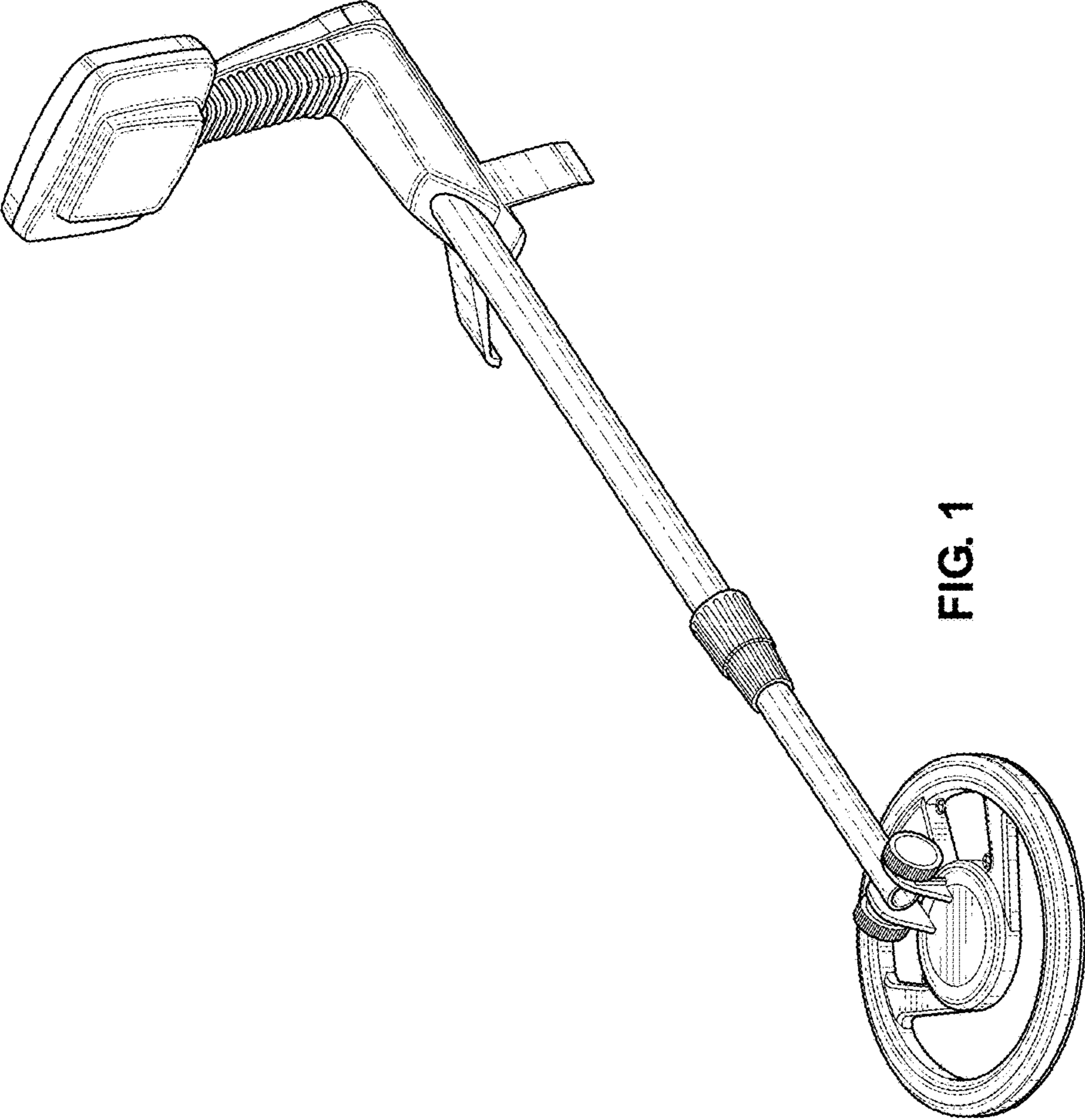


FIG. 1

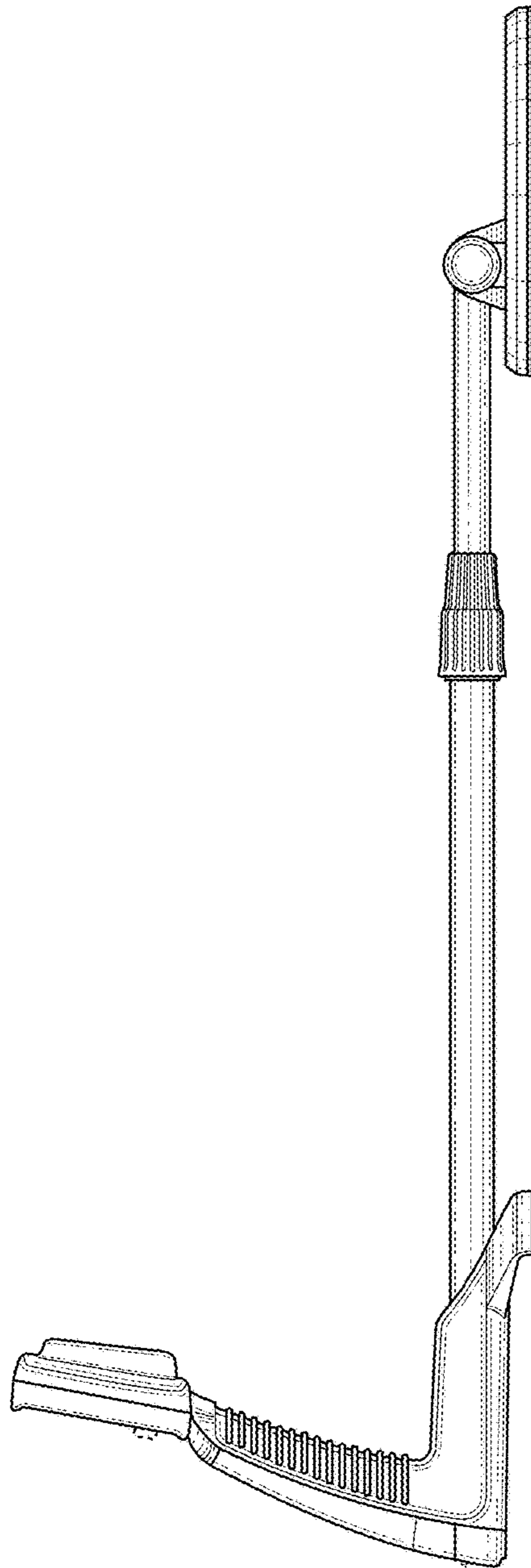


FIG. 2

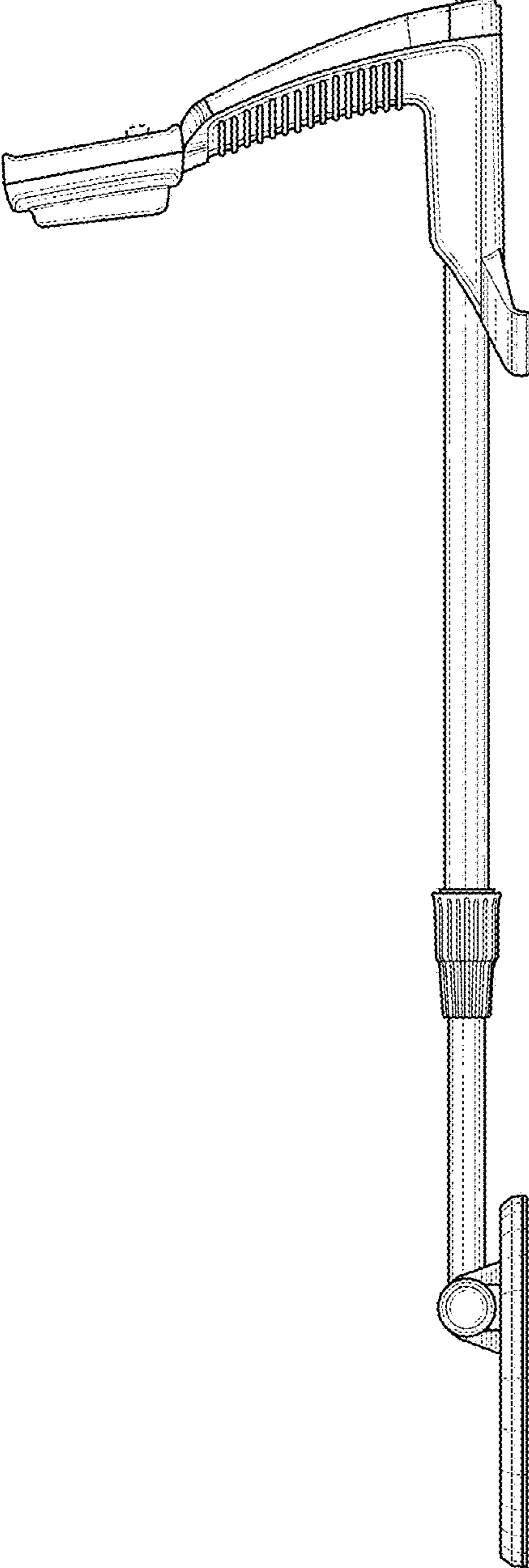


FIG. 3

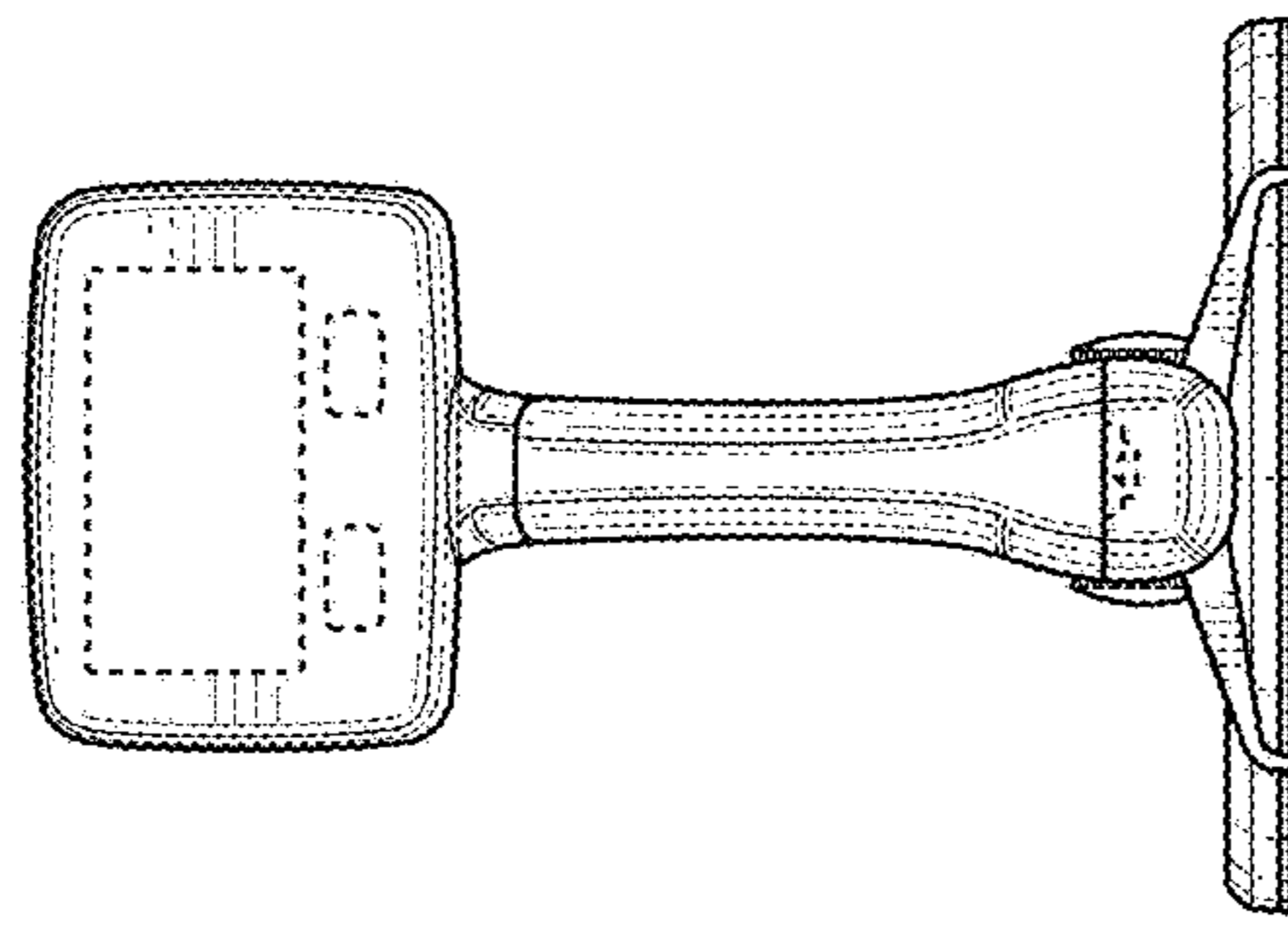


FIG. 5

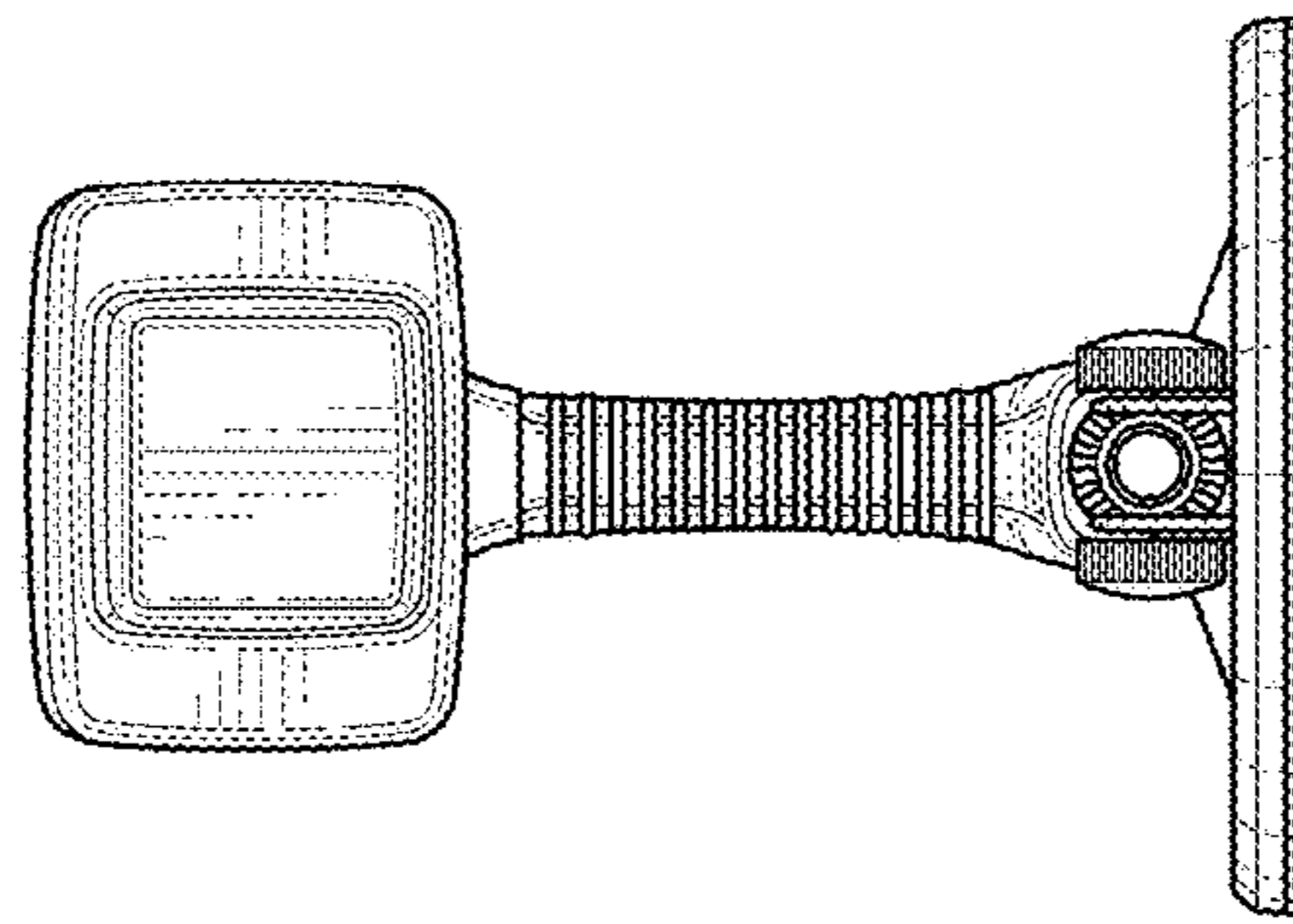


FIG. 4

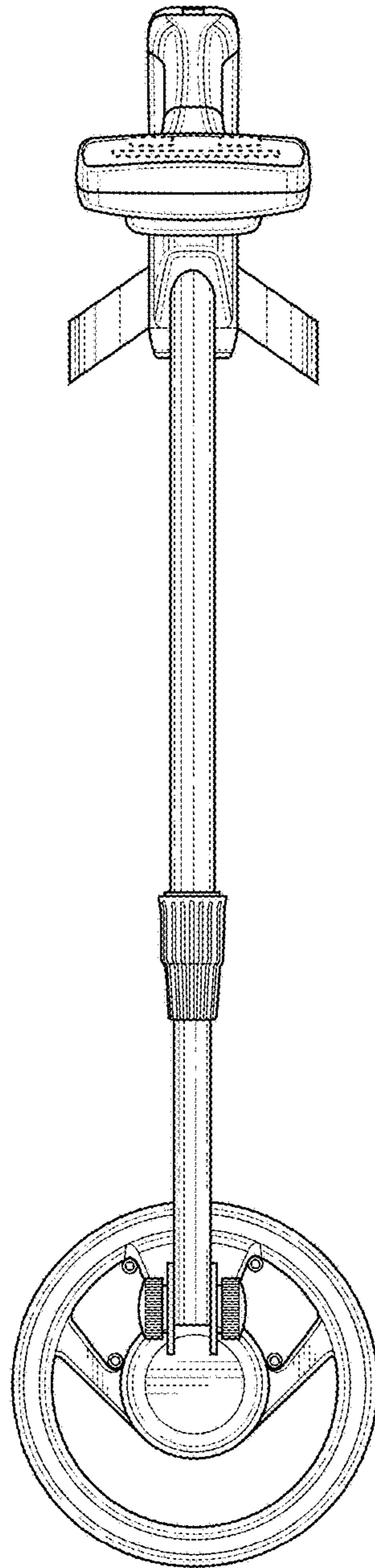


FIG. 6

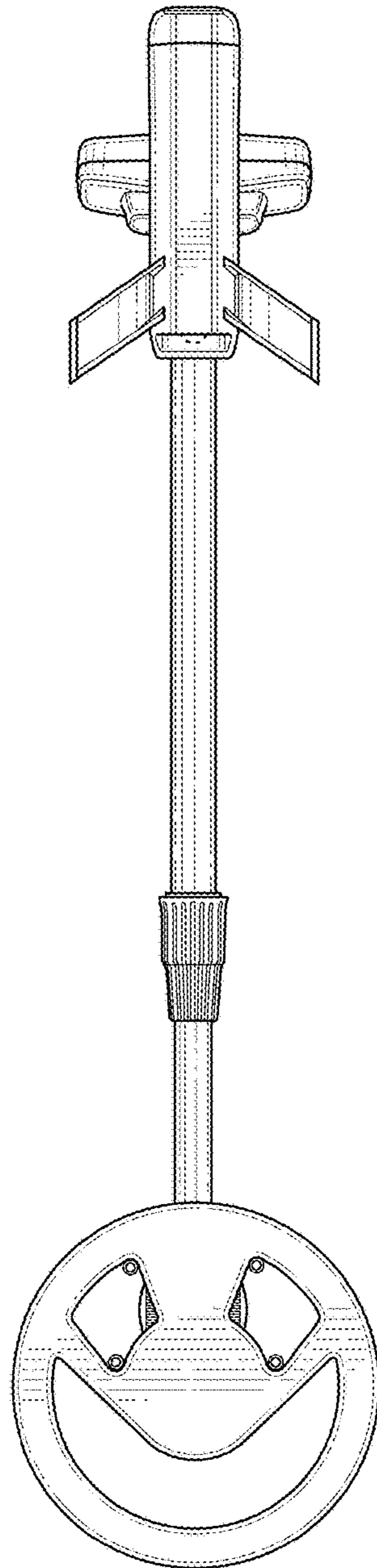


FIG. 7