



US00D844460S

(12) **United States Design Patent**
Logue

(10) **Patent No.:** **US D844,460 S**

(45) **Date of Patent:** **** Apr. 2, 2019**

(54) **MEASURING SCOOP**

(74) *Attorney, Agent, or Firm* — Sughrue Mion, PLLC

(71) Applicant: **LOGUE & CO. PTY LTD., AS TRUSTEE FOR A.T. & L.M. LOGUE FAMILY TRUST**, Yowie Bay, NSW (AU)

(57) **CLAIM**

The ornamental design for a measuring scoop, as shown and described.

(72) Inventor: **Anthony Thomas Logue**, Yowie Bay (AU)

DESCRIPTION

(73) Assignee: **LOGUE & CO. PTY LTD., AS TRUSTEE FOR A.T. & L.M. LOGUE FAMILY TRUST**, Yowie Bay, NSW (AU)

FIG. 1 is a front perspective view of a first embodiment of my design;
FIG. 2 is a front view thereof;
FIG. 3 is rear view thereof;
FIG. 4 is right side view thereof;
FIG. 5 is left side view thereof;
FIG. 6 is top view thereof;
FIG. 7 is bottom view thereof;
FIG. 8 is a front perspective view of a second embodiment of my design;
FIG. 9 is a front view thereof;
FIG. 10 is rear view thereof;
FIG. 11 is right side view thereof;
FIG. 12 is left side view thereof;
FIG. 13 is top view thereof; and
FIG. 14 is bottom view thereof.
FIG. 15 is a front perspective view of a third embodiment of my design;
FIG. 16 is a front view thereof;
FIG. 17 is rear view thereof;
FIG. 18 is right side view thereof;
FIG. 19 is left side view thereof;
FIG. 20 is top view thereof;
FIG. 21 is bottom view thereof;
FIG. 22 is a front perspective view of an exemplary embodiment of my design;
FIG. 23 is a front view thereof;
FIG. 24 is rear view thereof;
FIG. 25 is right side view thereof;
FIG. 26 is left side view thereof;
FIG. 27 is top view thereof; and
FIG. 28 is bottom view thereof.
FIG. 29 is a front perspective view of a fifth embodiment of my design;
FIG. 30 is a front view thereof;

(**) Term: **15 Years**

(21) Appl. No.: **29/564,470**

(22) Filed: **May 13, 2016**

(30) **Foreign Application Priority Data**

Nov. 15, 2015 (AU) 16112/2015
Nov. 15, 2015 (AU) 16113/2015

(Continued)

(51) **LOC (11) Cl.** **10-04**

(52) **U.S. Cl.**
USPC **D10/46.2**

(58) **Field of Classification Search**
USPC D10/46.2, 46.3, 96, 101; D9/435, 436, D9/440, 447; D24/116; D7/392, 396.2,
(Continued)

(56) **References Cited**

U.S. PATENT DOCUMENTS

202,268 A * 4/1878 Keller B65D 41/26
141/381
535,125 A * 3/1895 Vincent B65D 41/26
141/381

(Continued)

Primary Examiner — Brett Miller

(Continued)

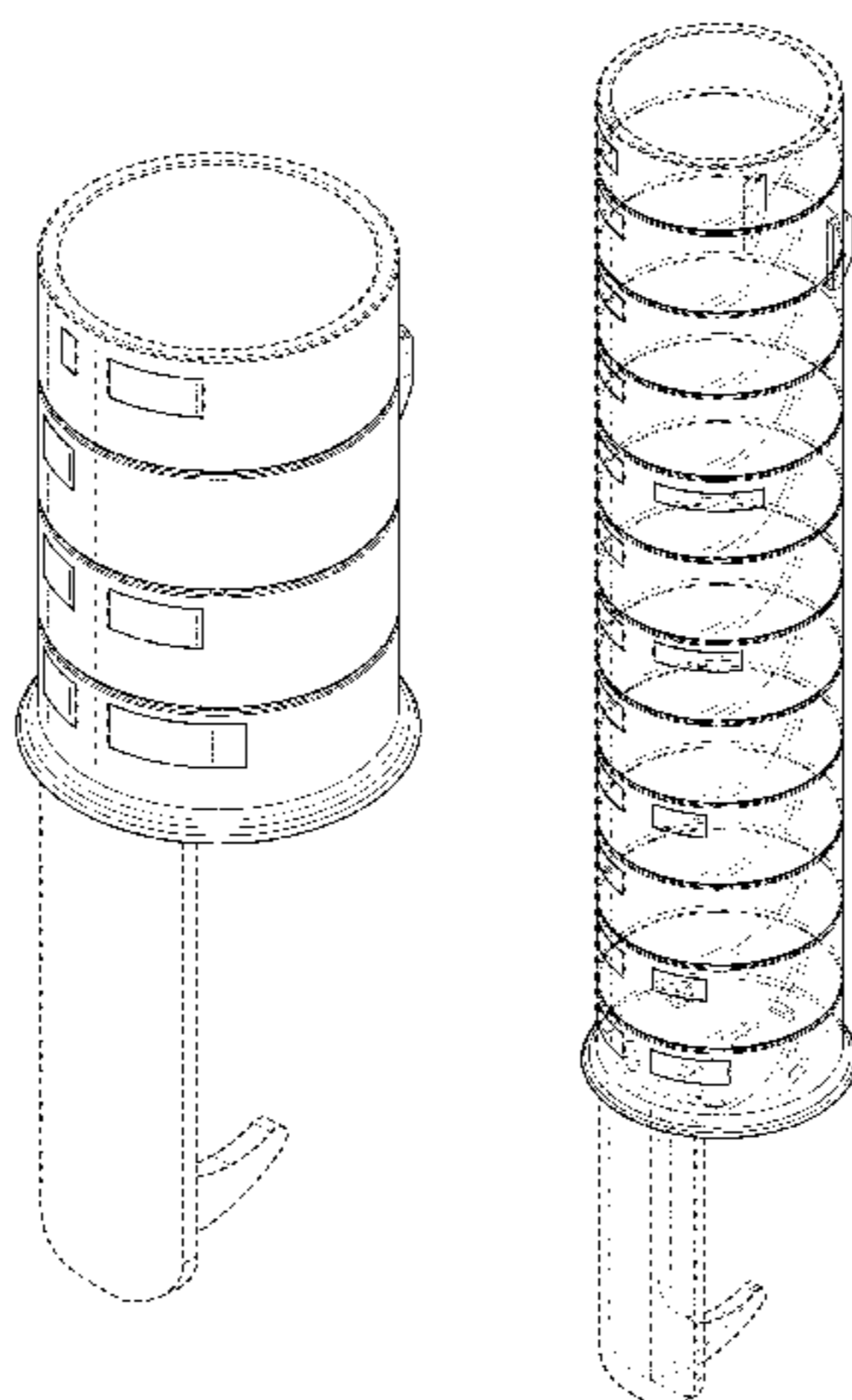


FIG. 31 is rear view thereof;
 FIG. 32 is right side view thereof;
 FIG. 33 is left side view thereof;
 FIG. 34 is top view thereof;
 FIG. 35 is bottom view thereof;
 FIG. 36 is a front perspective view of a sixth embodiment of my design;
 FIG. 37 is a front view thereof;
 FIG. 38 is rear view thereof;
 FIG. 39 is right side view thereof;
 FIG. 40 is left side view thereof;
 FIG. 41 is top view thereof; and
 FIG. 42 is bottom view thereof.
 FIG. 43 is a front perspective view of a seventh embodiment of my design;
 FIG. 44 is a front view thereof;
 FIG. 45 is rear view thereof;
 FIG. 46 is right side view thereof;
 FIG. 47 is left side view thereof;
 FIG. 48 is top view thereof;
 FIG. 49 is bottom view thereof;
 FIG. 50 is a front perspective view of an eighth embodiment of my design;
 FIG. 51 is a front view thereof;
 FIG. 52 is rear view thereof;
 FIG. 53 is right side view thereof;
 FIG. 54 is left side view thereof;
 FIG. 55 is top view thereof; and
 FIG. 56 is bottom view thereof.
 FIG. 57 is a front perspective view of a ninth embodiment of my design;
 FIG. 58 is a front view thereof;
 FIG. 59 is rear view thereof;
 FIG. 60 is right side view thereof;
 FIG. 61 is left side view thereof;
 FIG. 62 is top view thereof;
 FIG. 63 is bottom view thereof;
 FIG. 64 is a front perspective view of a tenth embodiment of my design;
 FIG. 65 is a front view thereof;
 FIG. 66 is rear view thereof;
 FIG. 67 is right side view thereof;
 FIG. 68 is left side view thereof;
 FIG. 69 is top view thereof; and
 FIG. 70 is bottom view thereof.
 FIG. 71 is a front perspective view of a eleventh embodiment of my design;
 FIG. 72 is a front view thereof;
 FIG. 73 is rear view thereof;
 FIG. 74 is right side view thereof;
 FIG. 75 is left side view thereof;
 FIG. 76 is top view thereof;
 FIG. 77 is bottom view thereof;
 FIG. 78 is a front perspective view of a twelfth embodiment of my design;
 FIG. 79 is a front view thereof;
 FIG. 80 is rear view thereof;
 FIG. 81 is right side view thereof;
 FIG. 82 is left side view thereof;

FIG. 83 is top view thereof; and,
 FIG. 84 is bottom view thereof.
 The broken lines shown in the drawings represent portions of the measuring cup which form no part of the claimed design.

1 Claim, 48 Drawing Sheets

(30) **Foreign Application Priority Data**

Nov. 15, 2015 (AU) 16114/2015
 Nov. 15, 2015 (AU) 16115/2015
 Nov. 15, 2015 (AU) 16116/2015
 Nov. 15, 2015 (AU) 16151/2015

(58) **Field of Classification Search**

USPC D7/397-398; 141/381; 222/566;
 220/717; 73/426, 427
 CPC B65D 41/26; B65D 47/06; G01F 19/00;
 G01F 19/002
 See application file for complete search history.

(56) **References Cited**

U.S. PATENT DOCUMENTS

1,419,580 A * 6/1922 Molinari G01F 19/00
 141/381
 1,648,512 A * 11/1927 Stock A47J 41/0083
 222/566
 2,133,318 A * 10/1938 Arato A47G 19/2216
 220/717
 2,317,046 A * 4/1943 Fleming B65D 47/06
 220/717
 2,678,142 A * 5/1954 Creed B65D 47/06
 220/717
 3,045,723 A * 7/1962 Gainor B65D 51/247
 141/381
 D197,025 S * 12/1963 Marcus D10/46.2
 4,105,142 A * 8/1978 Morris, Jr. G01F 19/00
 141/319
 D252,371 S * 7/1979 Folli D10/46.2
 D276,555 S * 11/1984 Noble D10/46.2
 D326,816 S * 6/1992 Abrams D9/435
 D332,577 S * 1/1993 Peterson D10/101
 5,330,081 A * 7/1994 Davenport G01F 11/286
 D9/547
 5,377,879 A * 1/1995 Isaacs G01F 19/002
 222/192
 D366,840 S * 2/1996 Schagerstrom D10/46.2
 D419,090 S * 1/2000 Folos D10/101
 D499,023 S * 11/2004 Amos D10/101
 D525,549 S * 7/2006 Crewz D10/101
 D612,237 S * 3/2010 Richey D9/447
 D686,076 S * 7/2013 Traxler D9/447
 D703,564 S * 4/2014 Steffahn D10/101
 D720,241 S * 12/2014 Logue D10/46.2
 D730,730 S * 6/2015 Haley D9/440
 D741,645 S * 10/2015 Lau D7/397
 D777,031 S * 1/2017 Katopis D9/436
 D781,645 S * 3/2017 Lau D7/397
 2004/0140315 A1 * 7/2004 Reinoso B65D 47/06
 220/713
 2015/0284150 A1 * 10/2015 Doubles B65D 41/26
 222/1

* cited by examiner

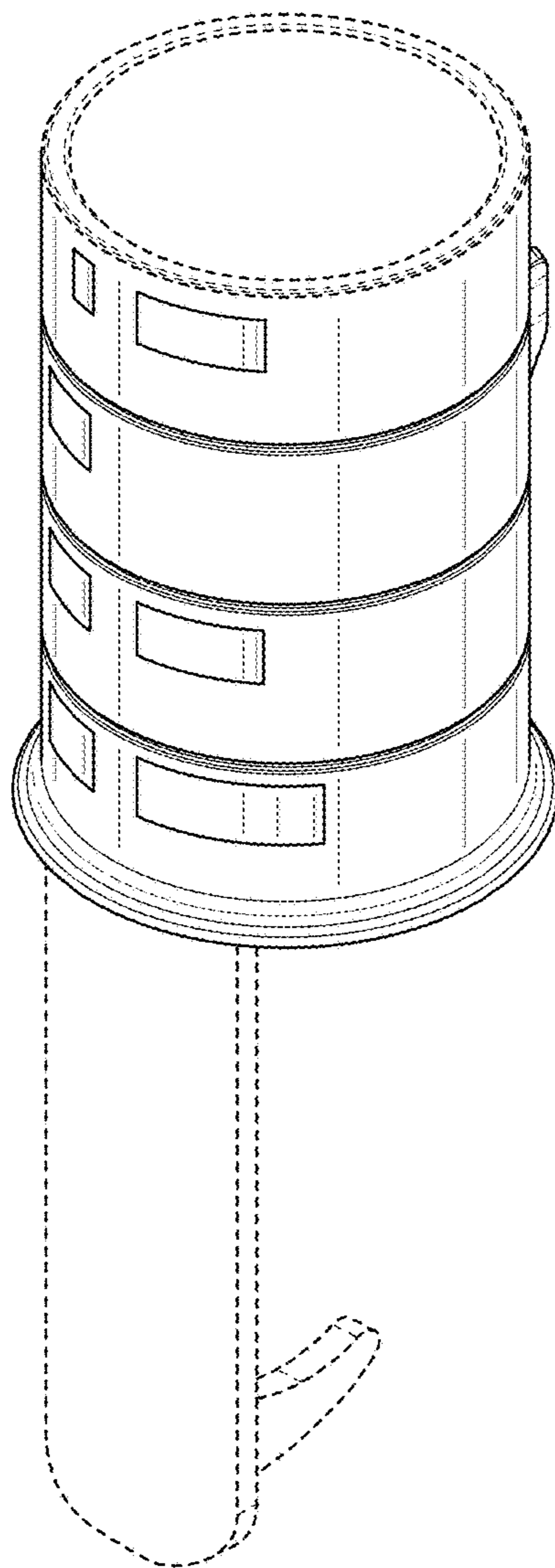


FIG. 1

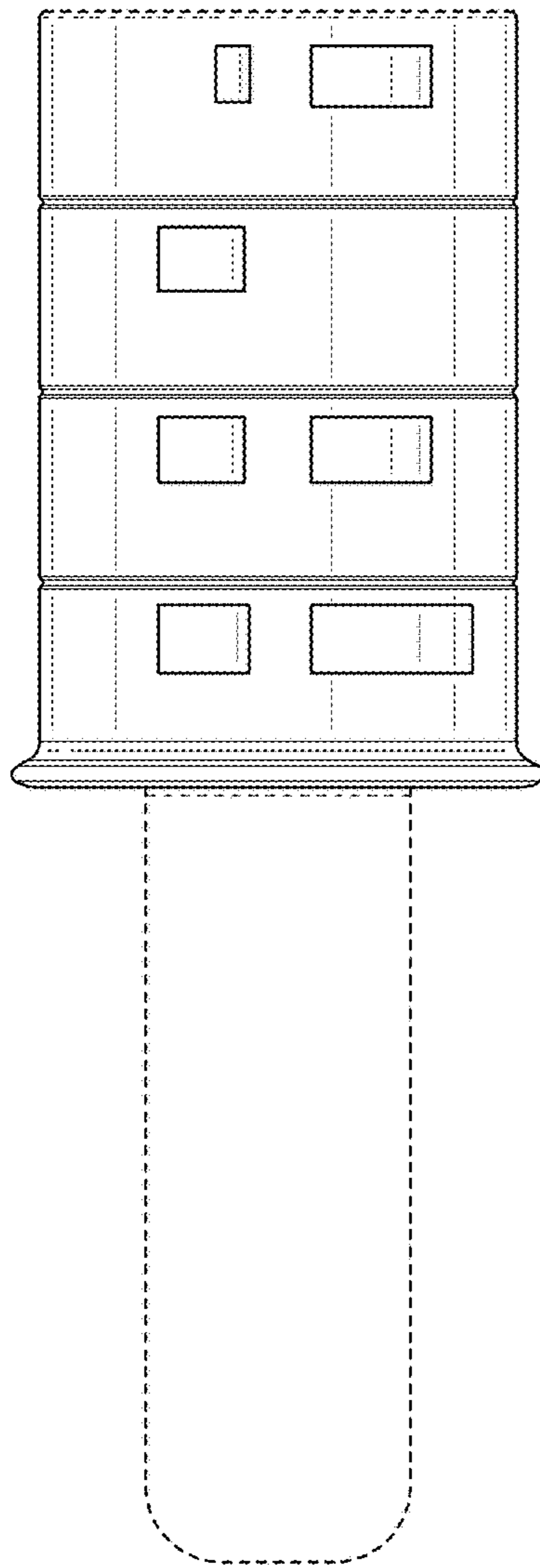


FIG. 2

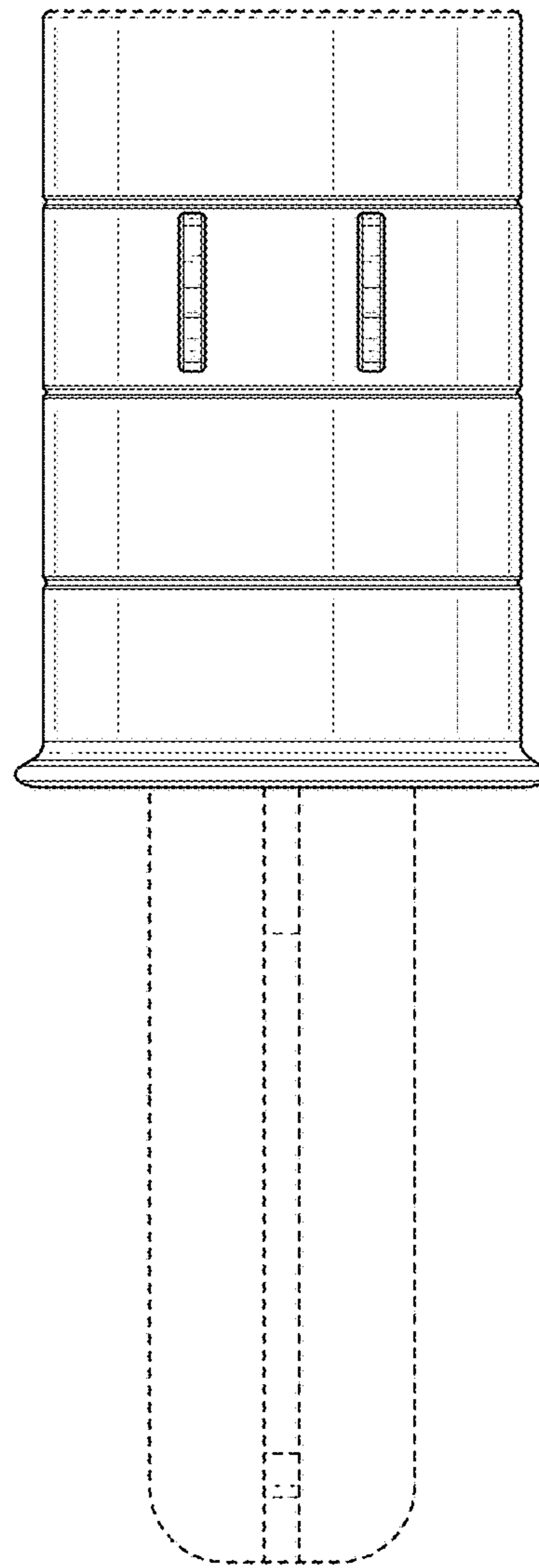


FIG. 3

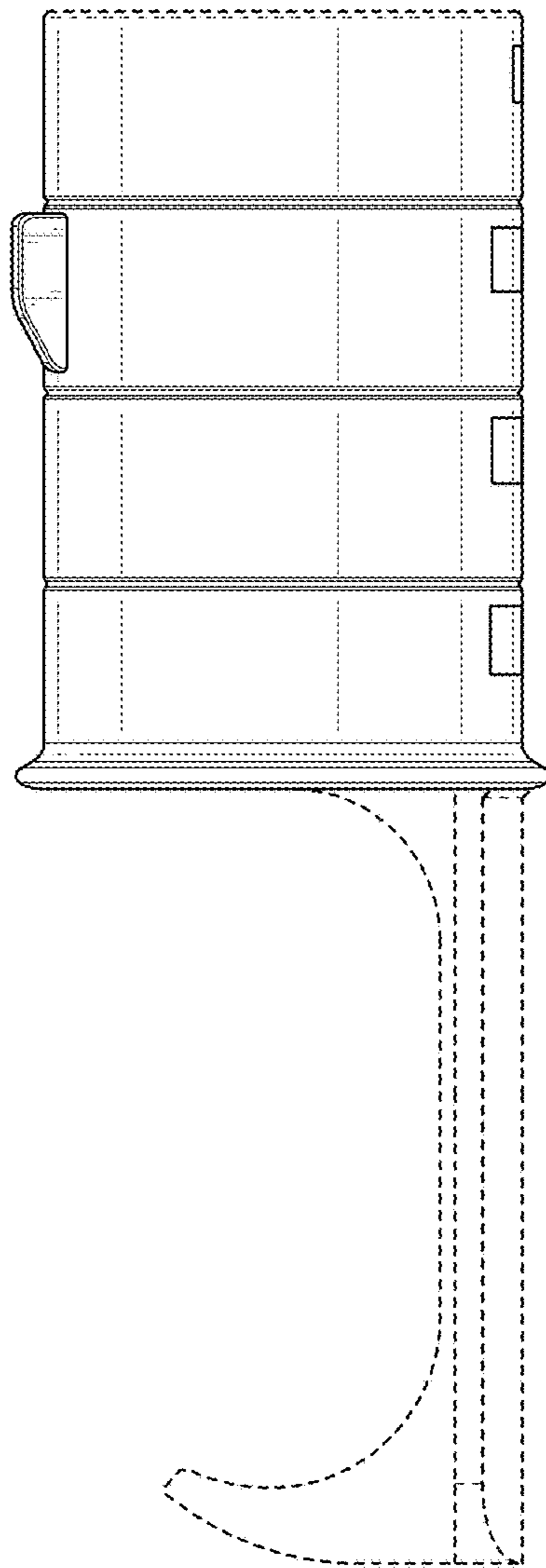


FIG. 4

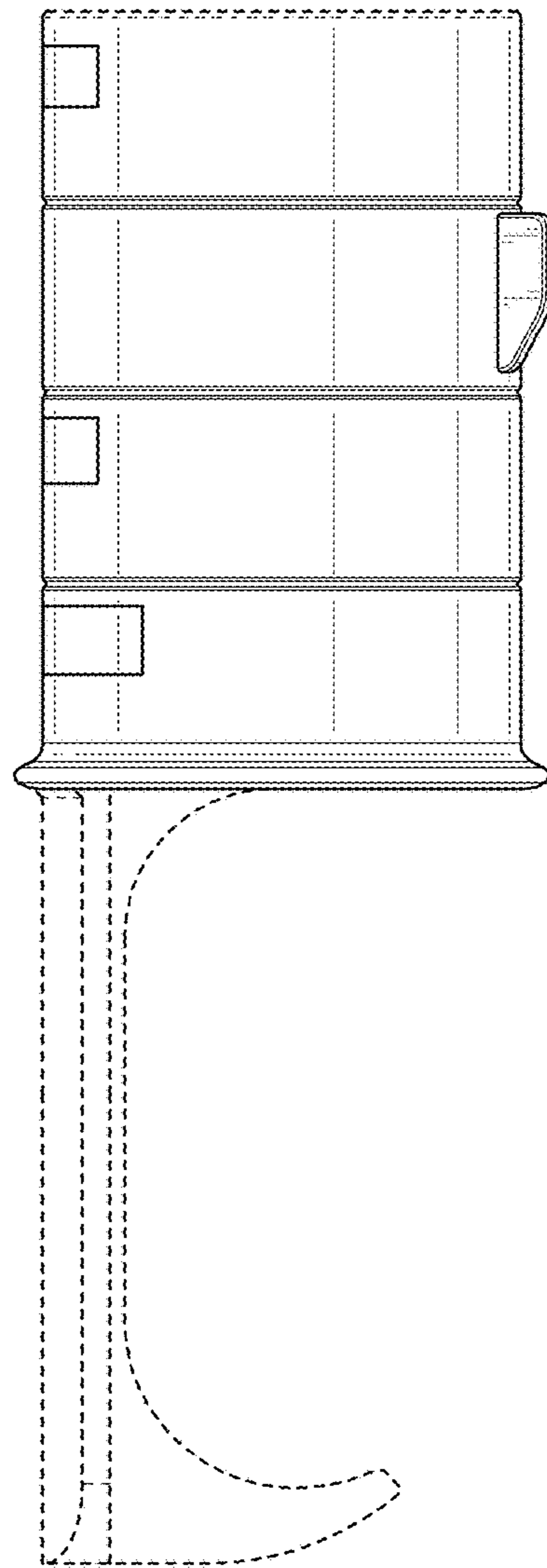


FIG. 5

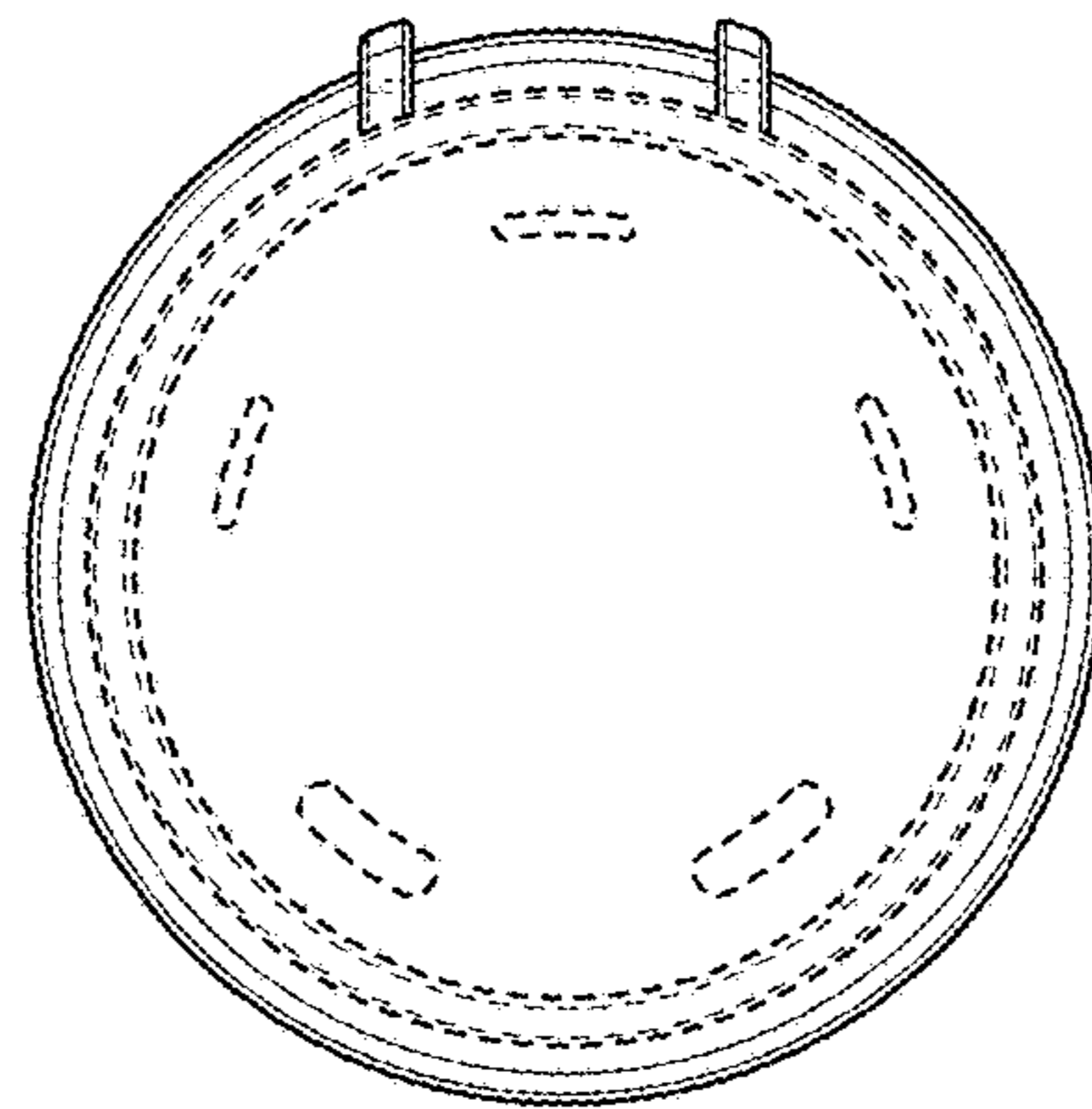


FIG. 6

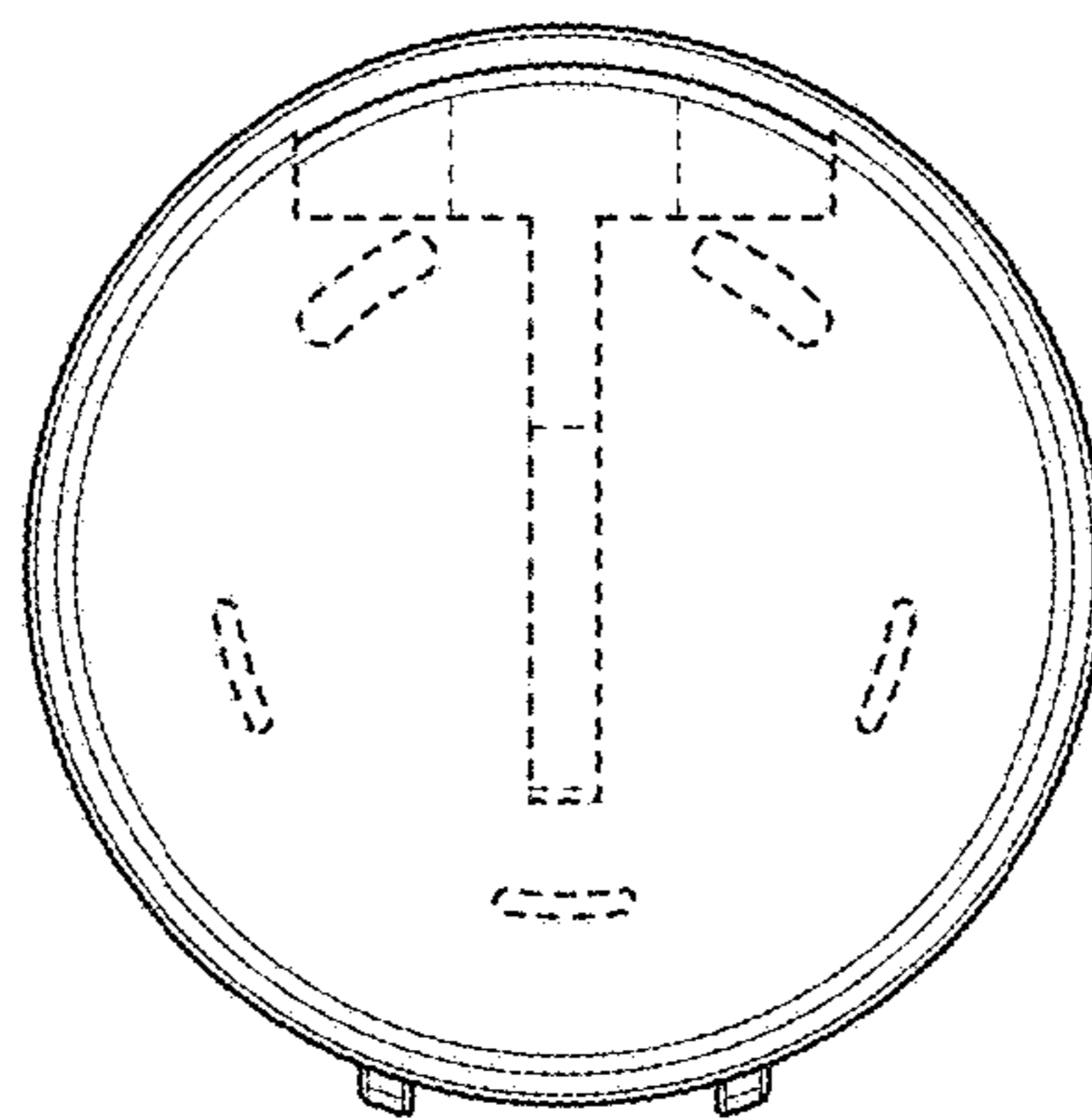


FIG. 7

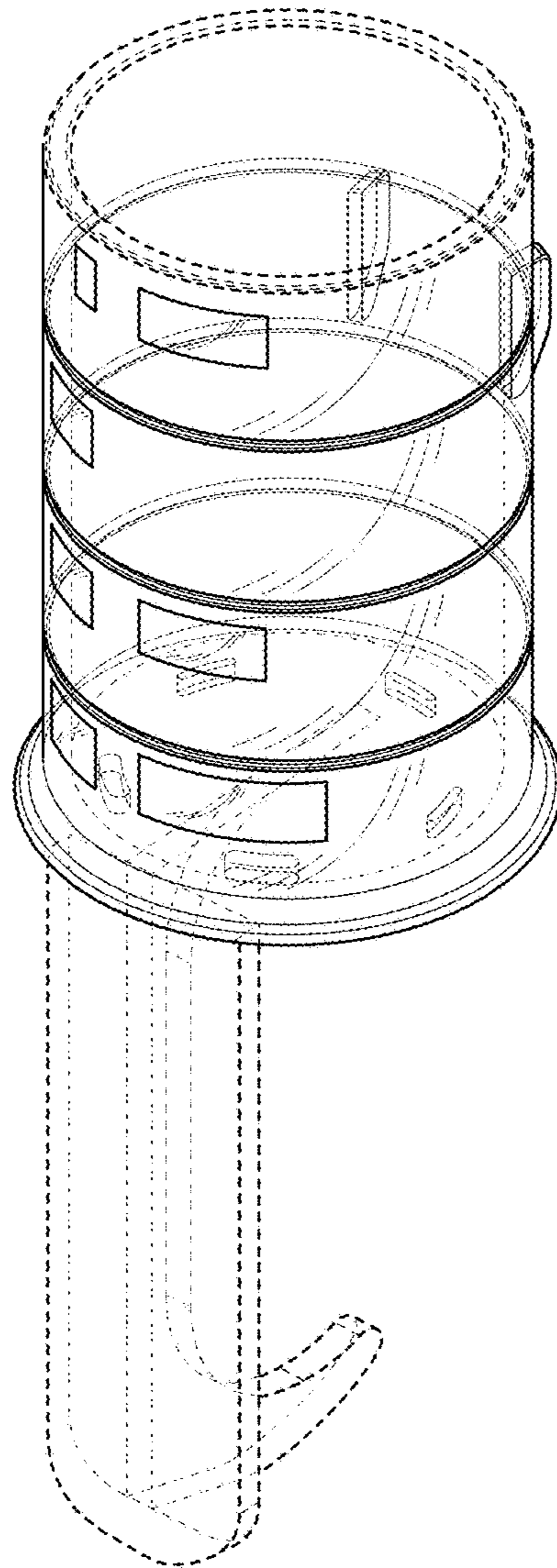


FIG. 8

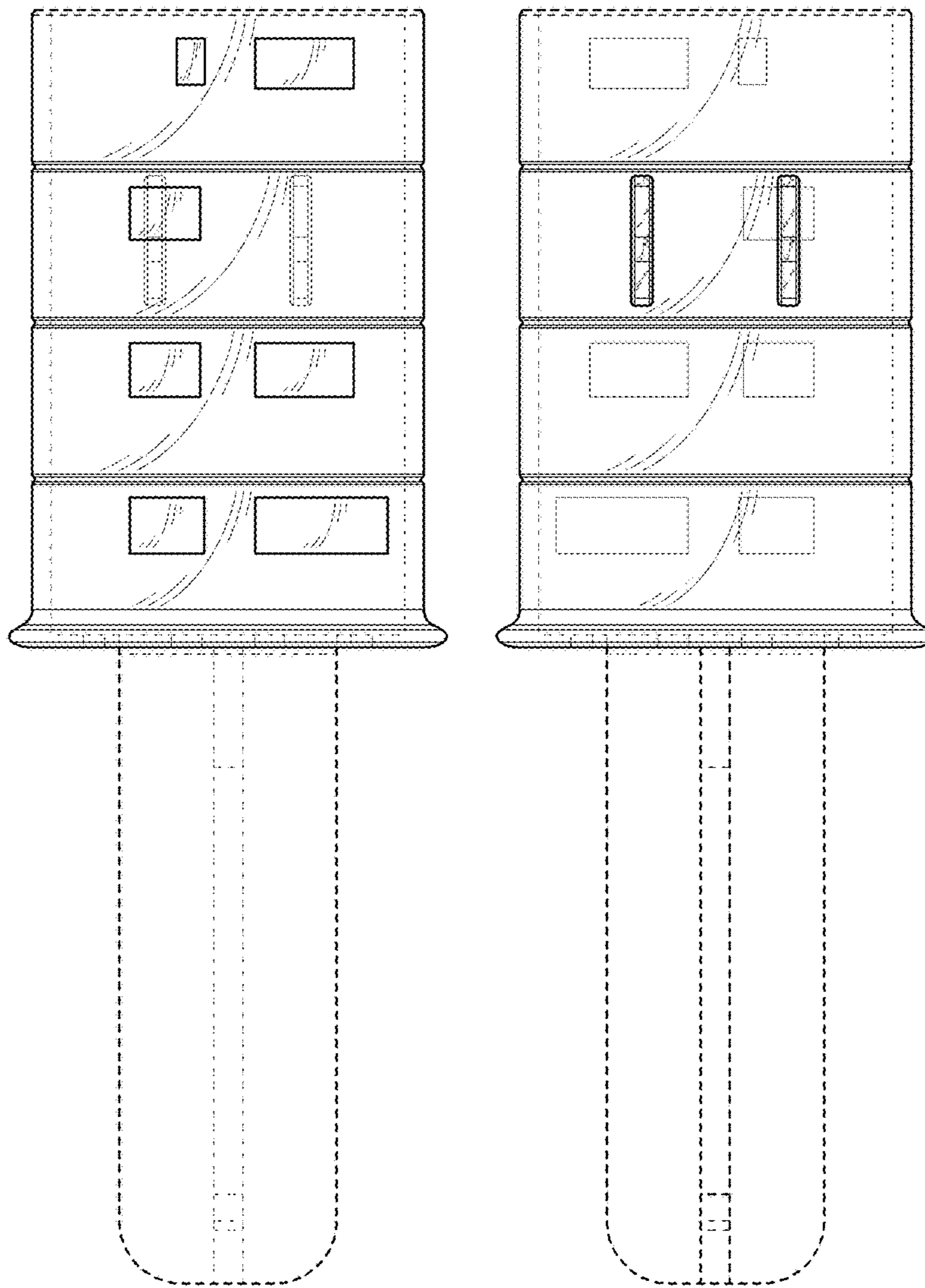


FIG. 9

FIG. 10

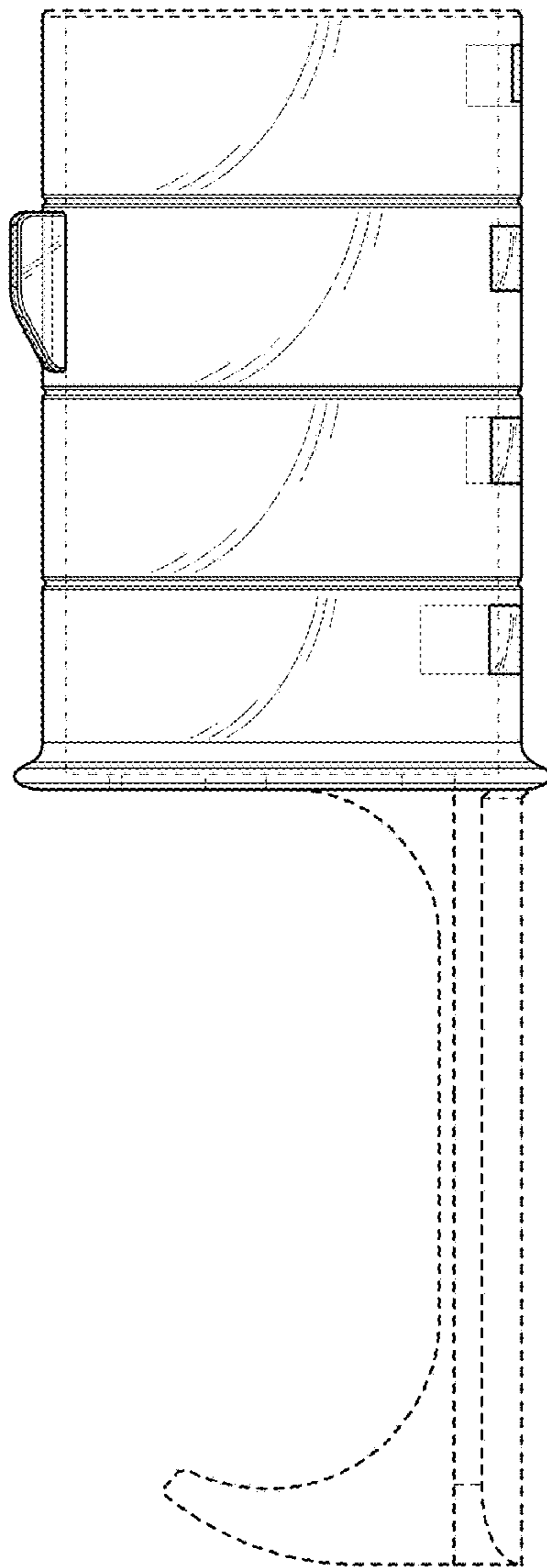


FIG. 11

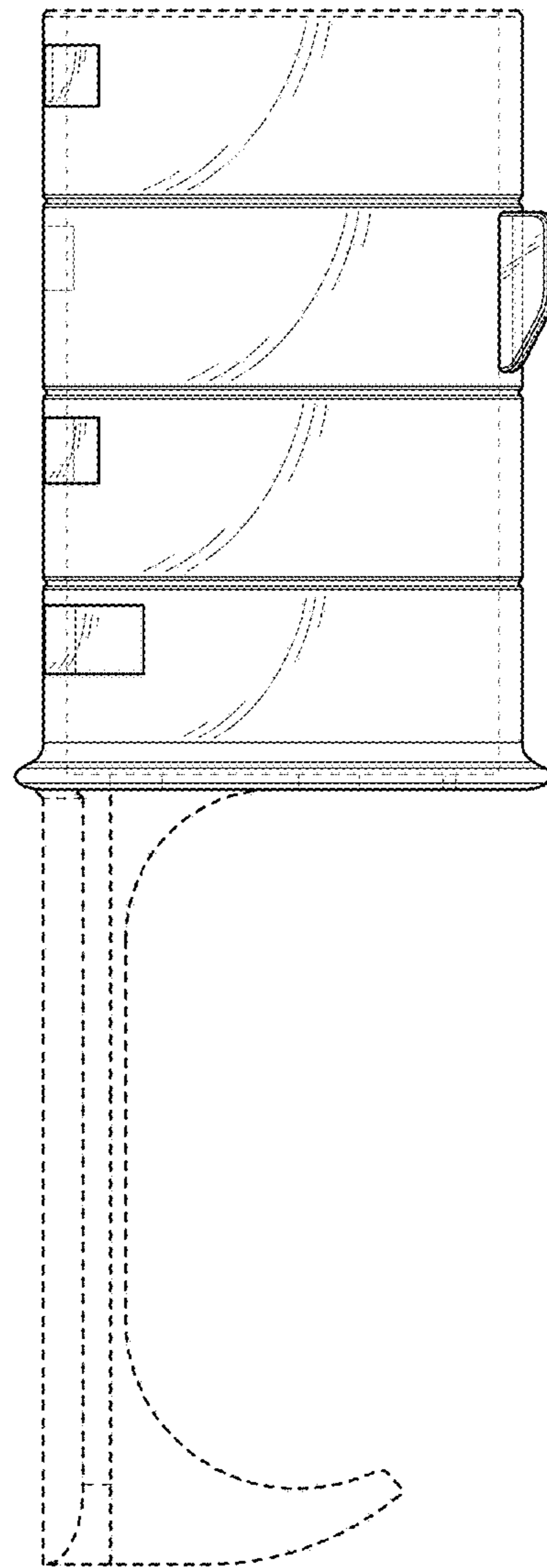


FIG. 12

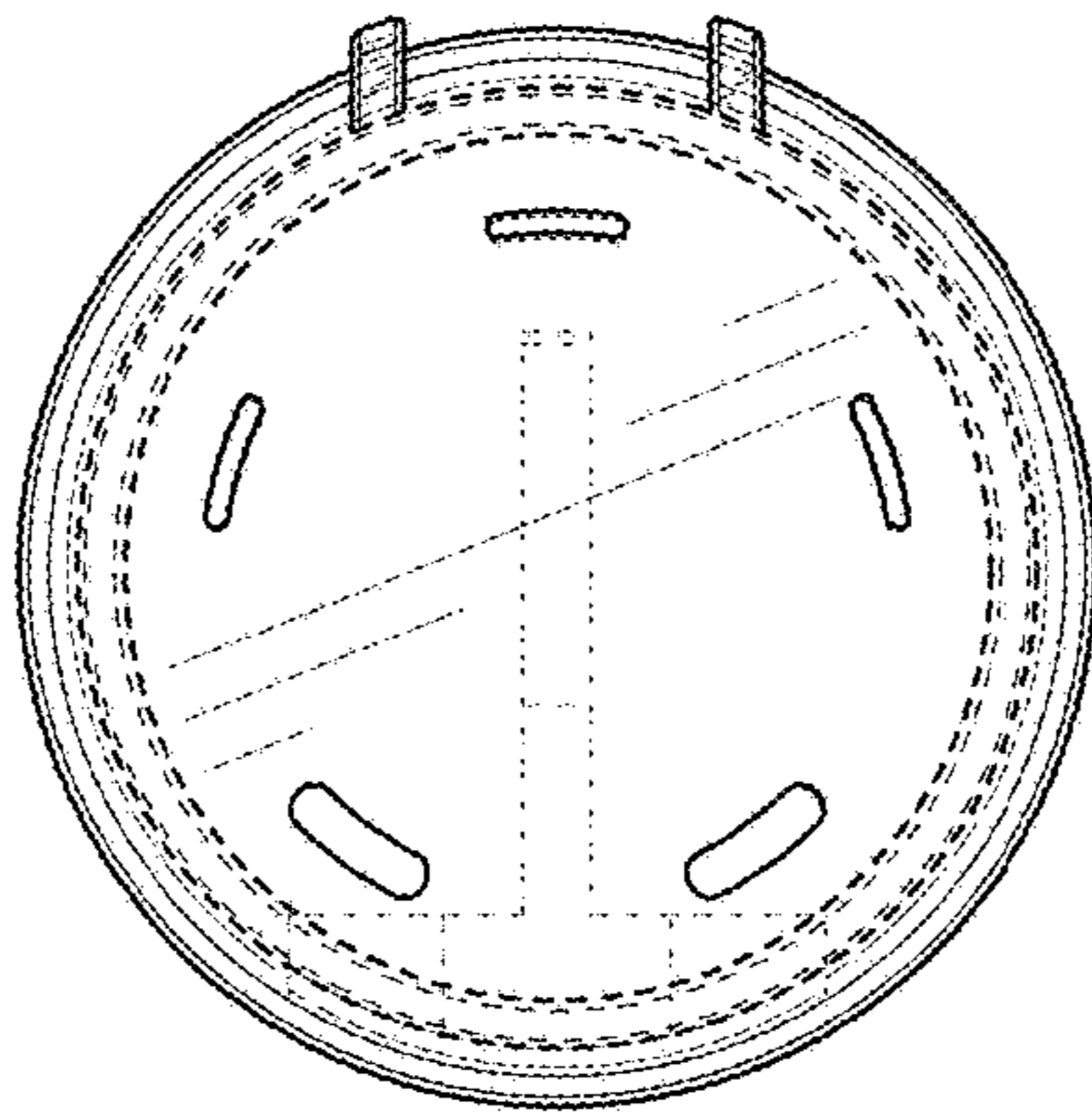


FIG. 13

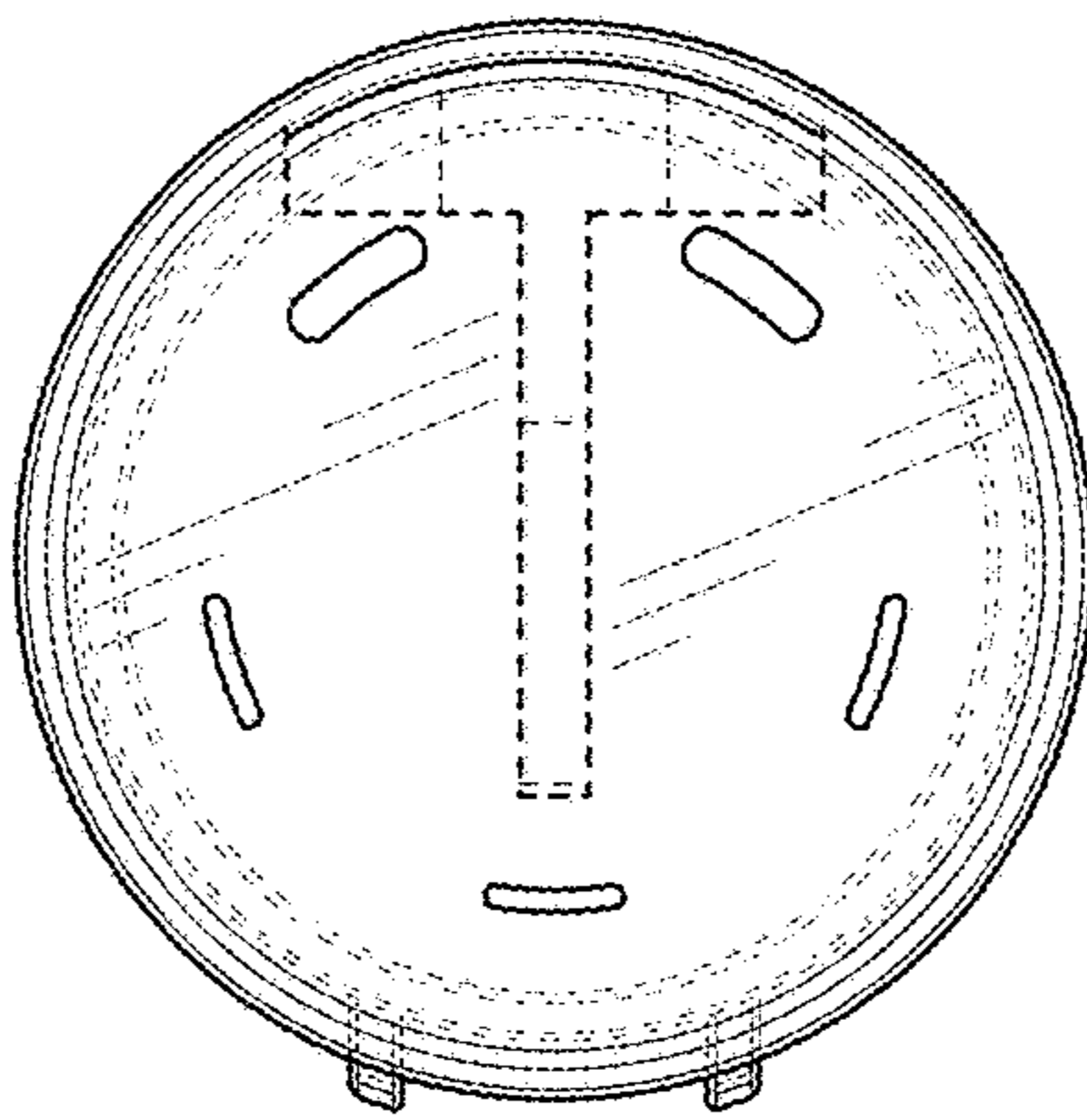


FIG. 14

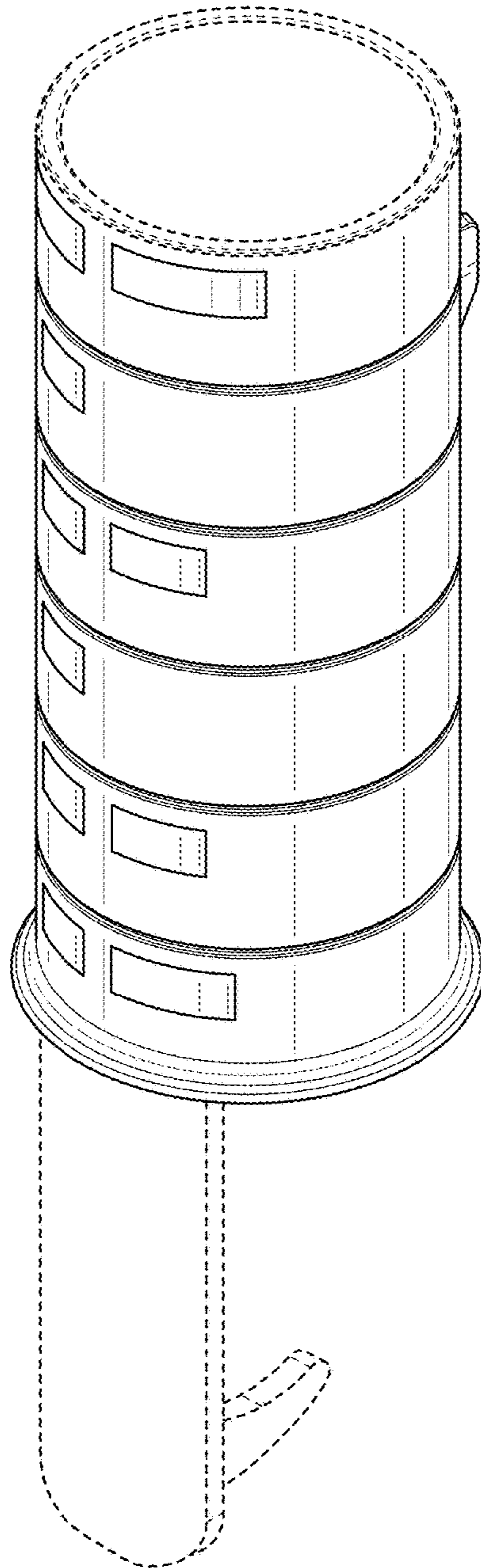


FIG. 15

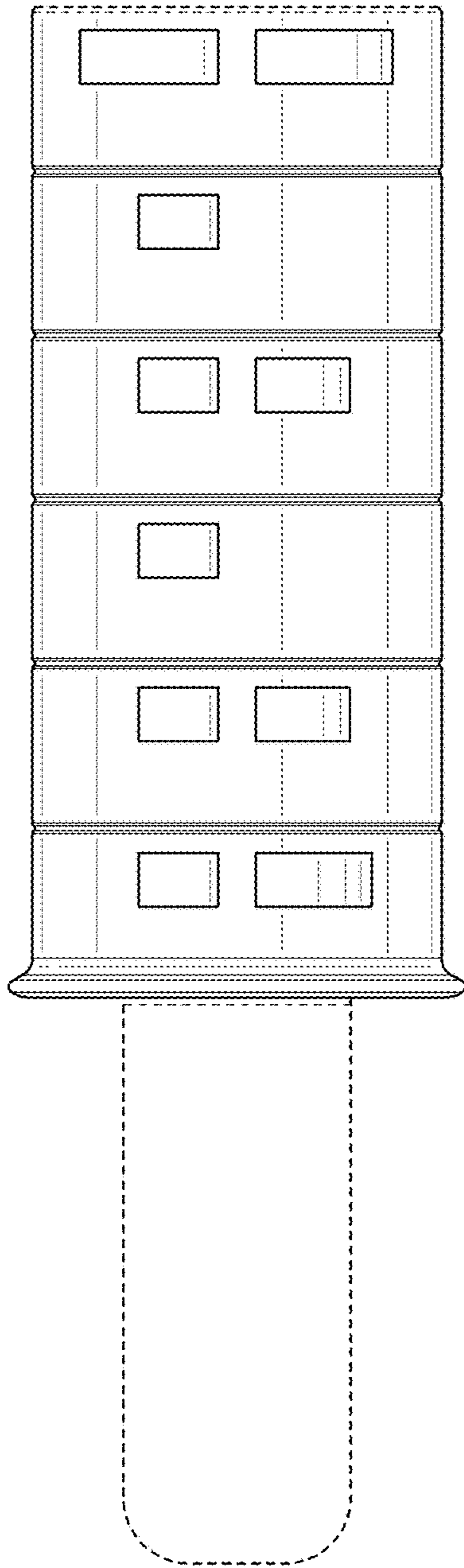


FIG. 16

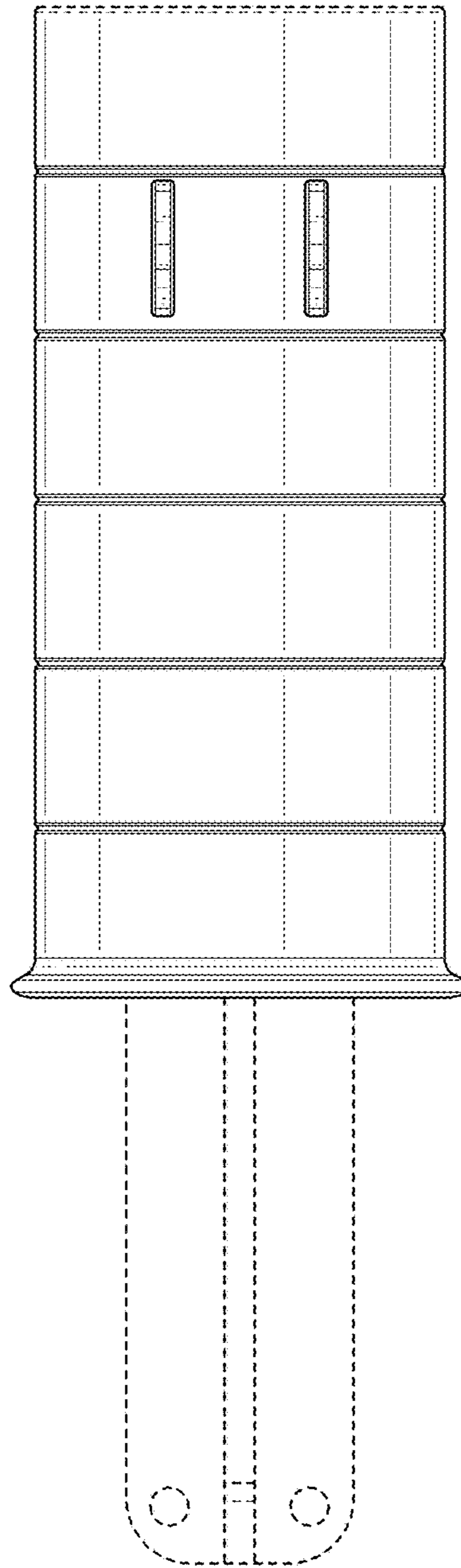


FIG. 17

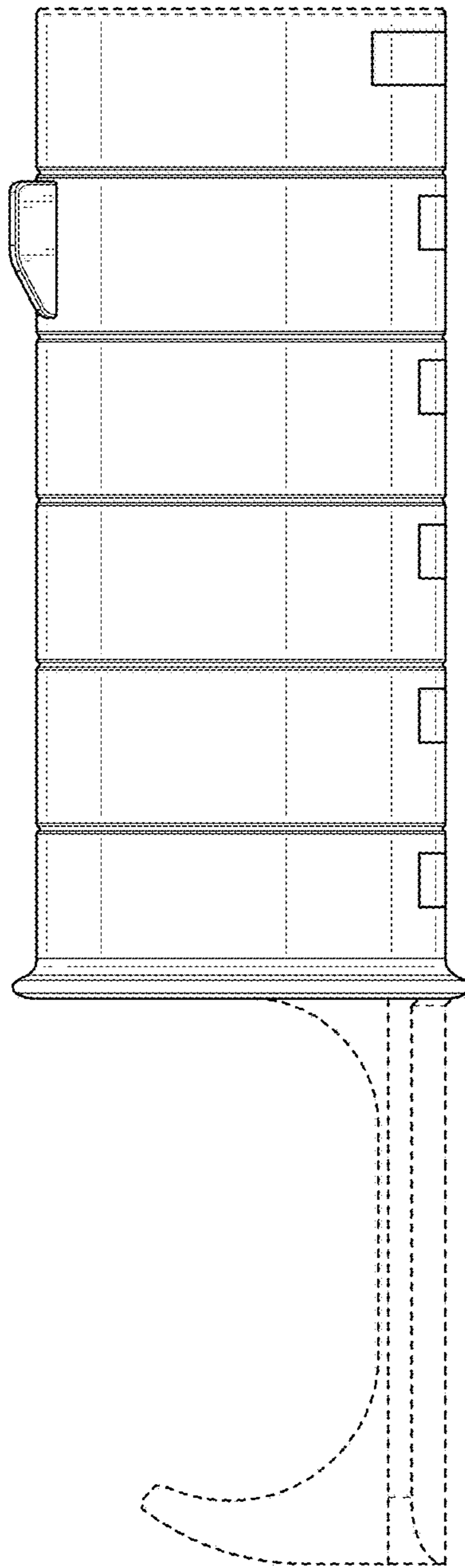


FIG. 18

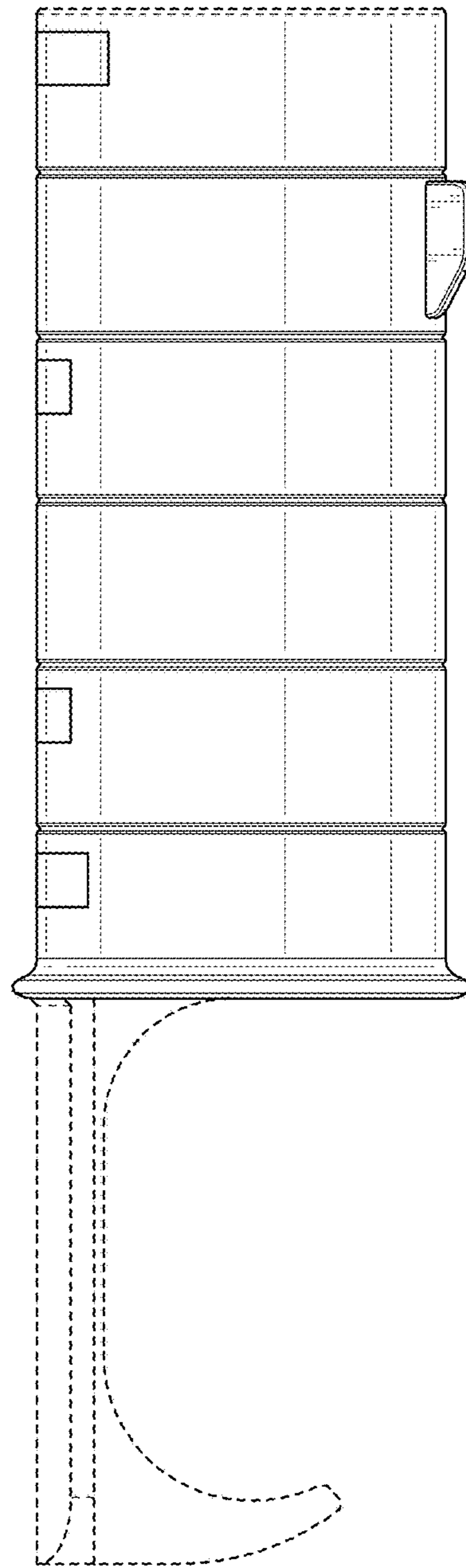


FIG. 19

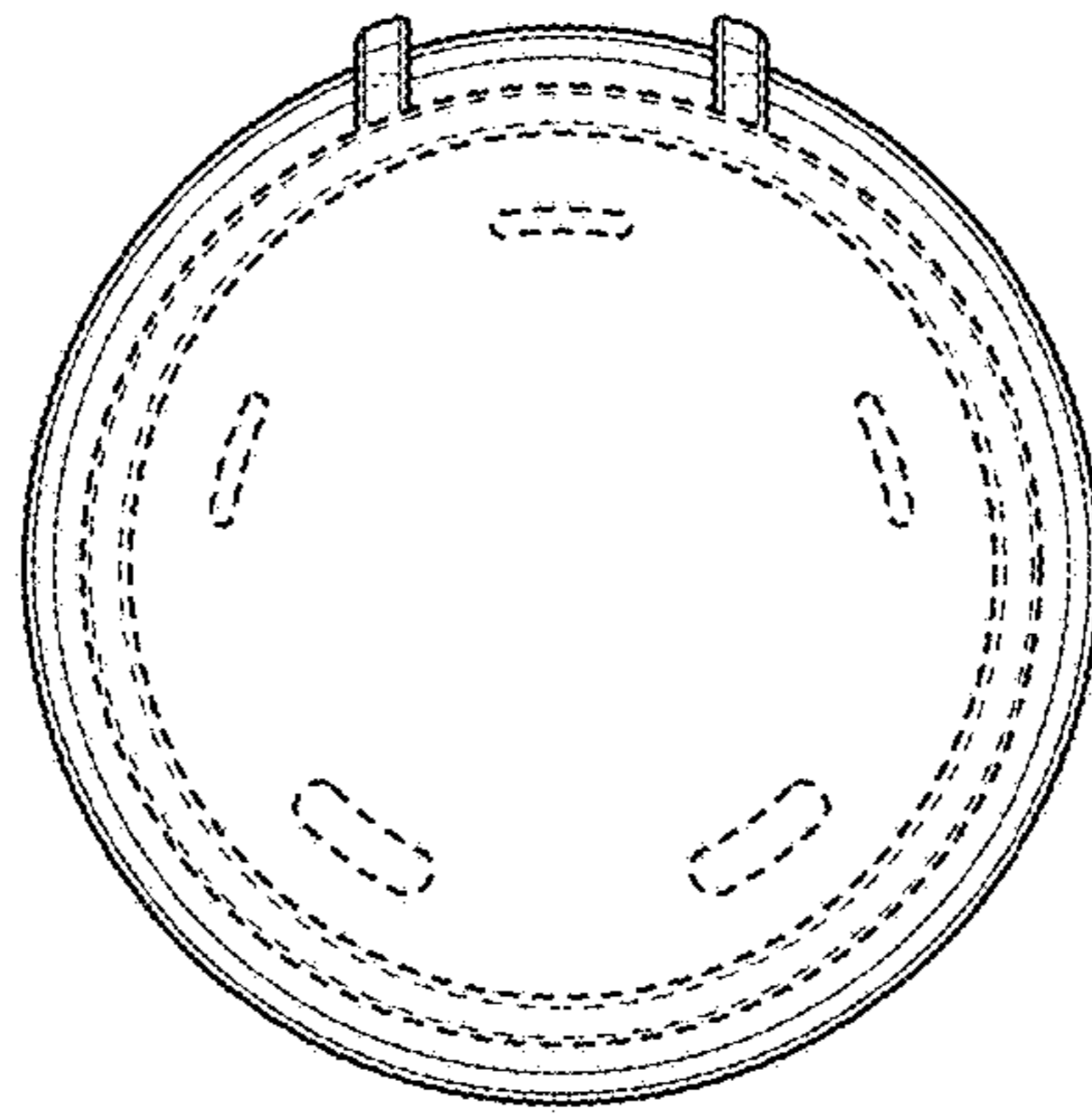


FIG. 20

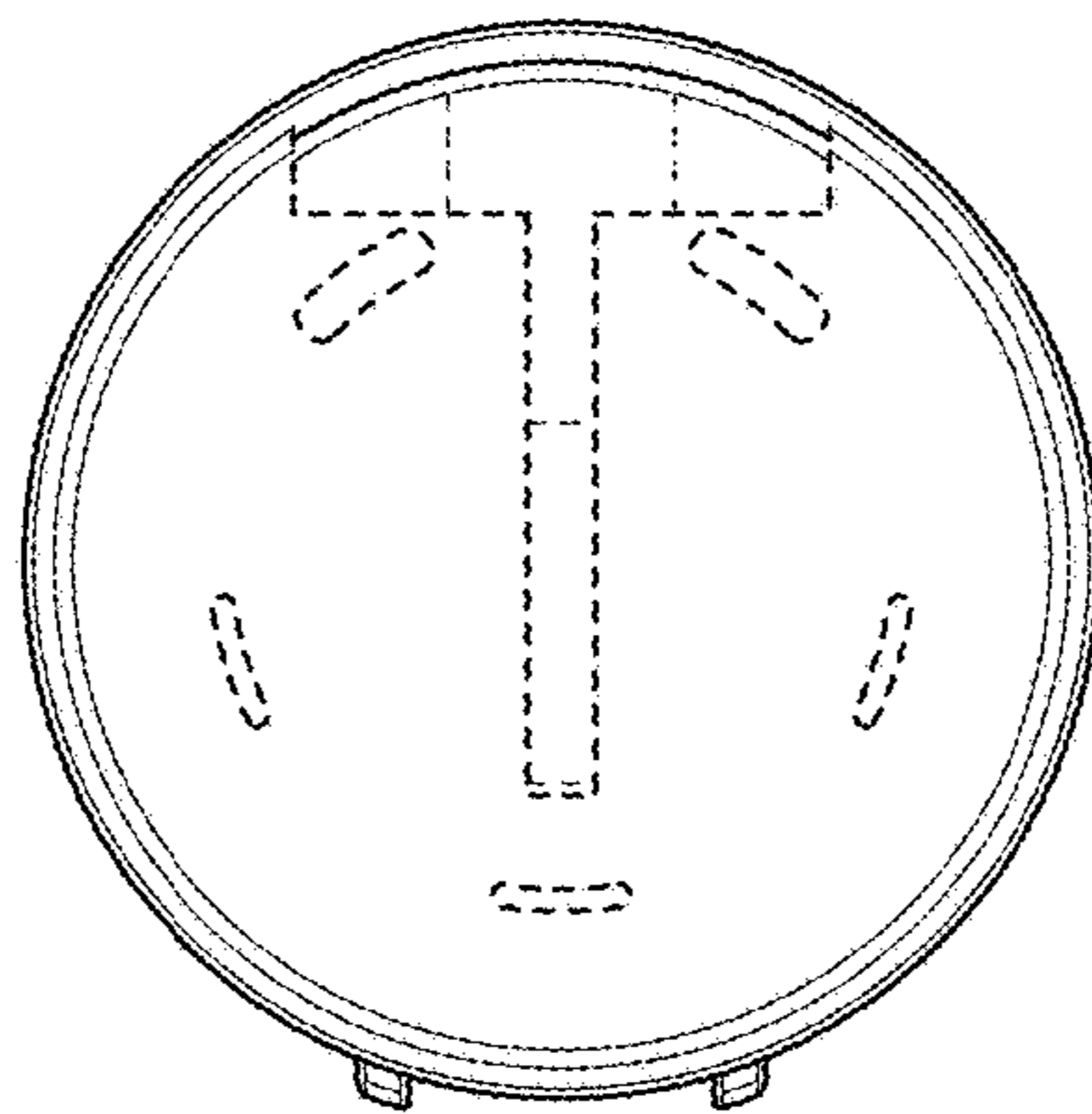


FIG. 21

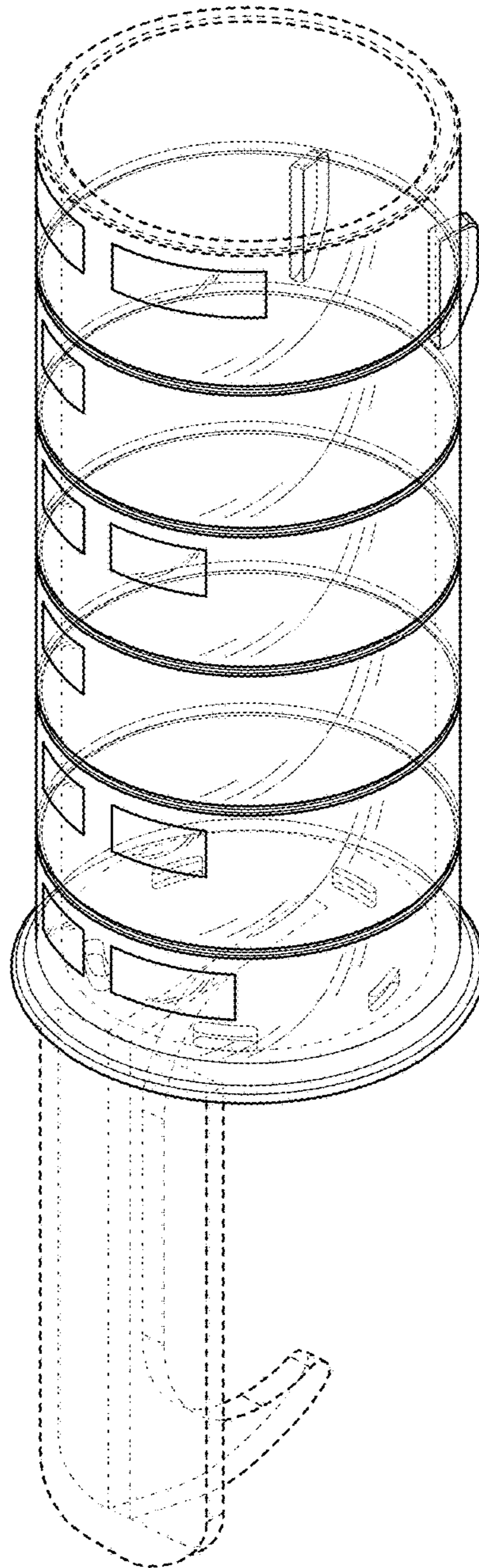


FIG. 22

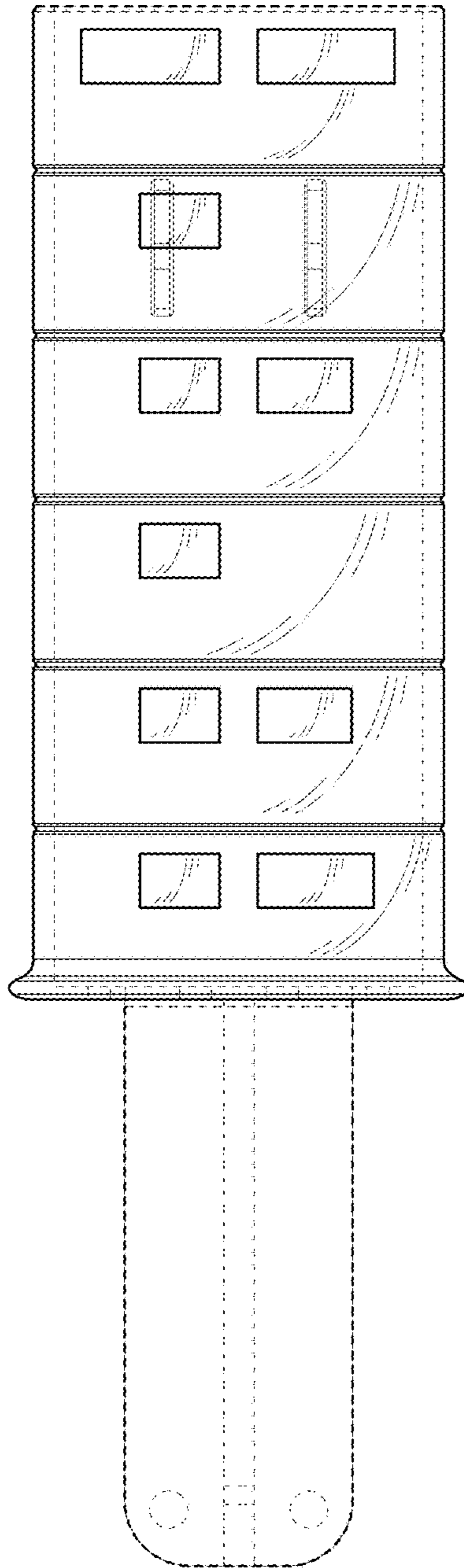


FIG. 23

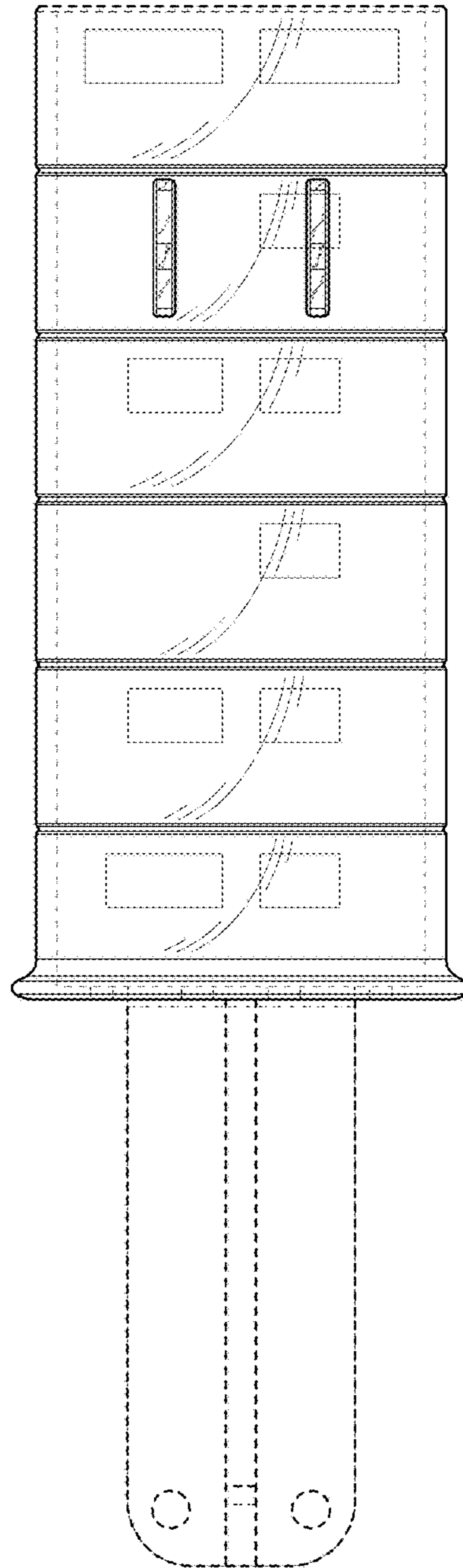


FIG. 24

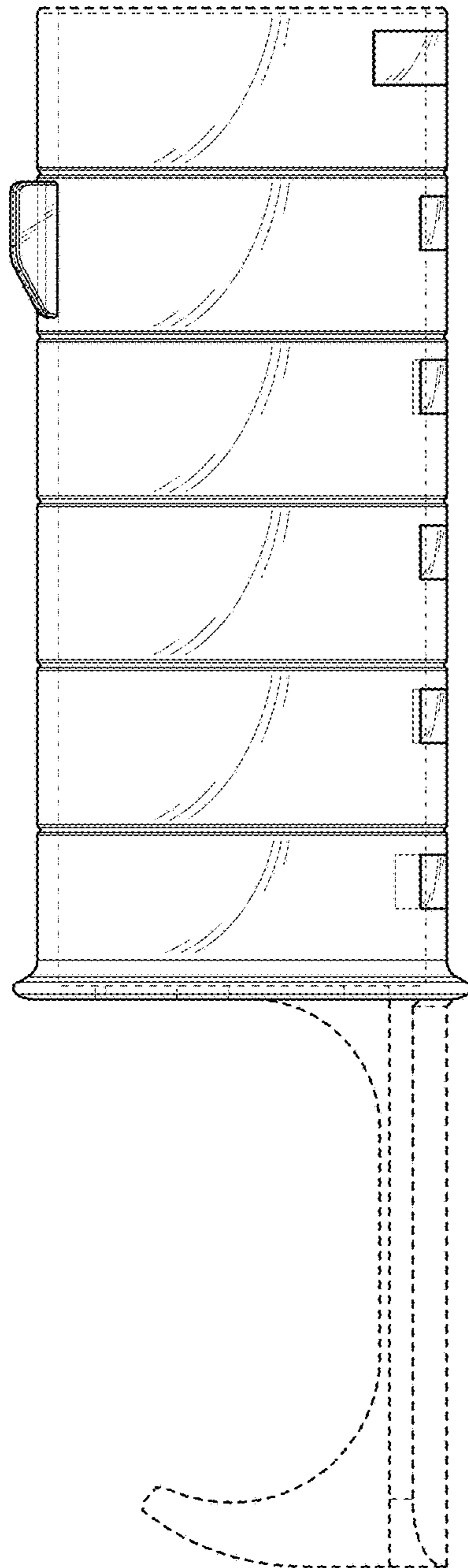


FIG. 25

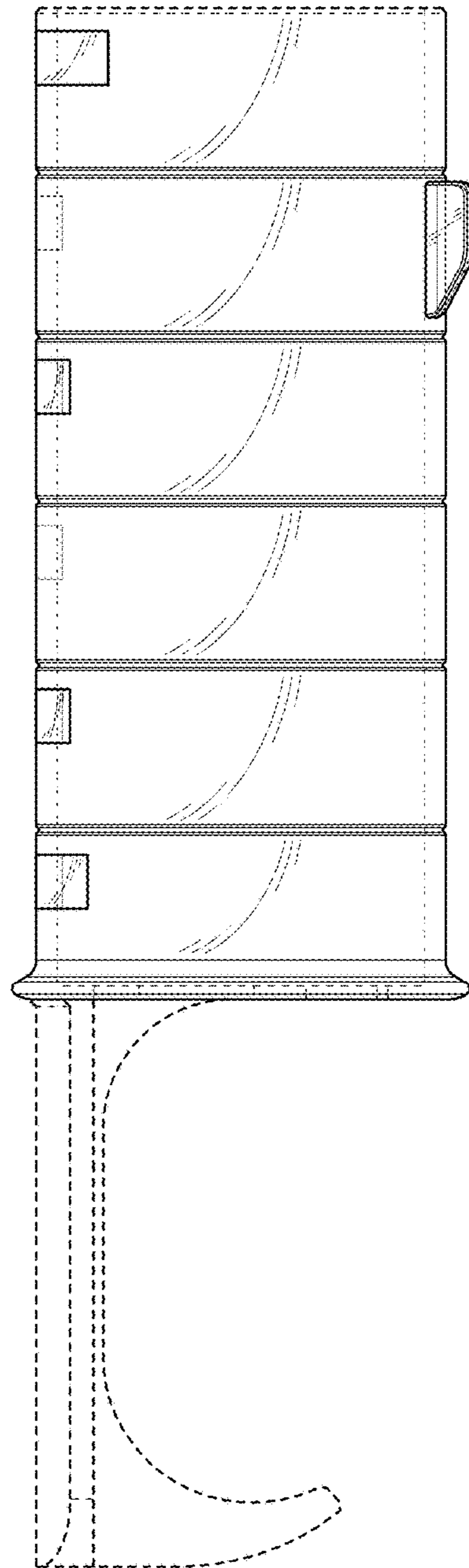


FIG. 26

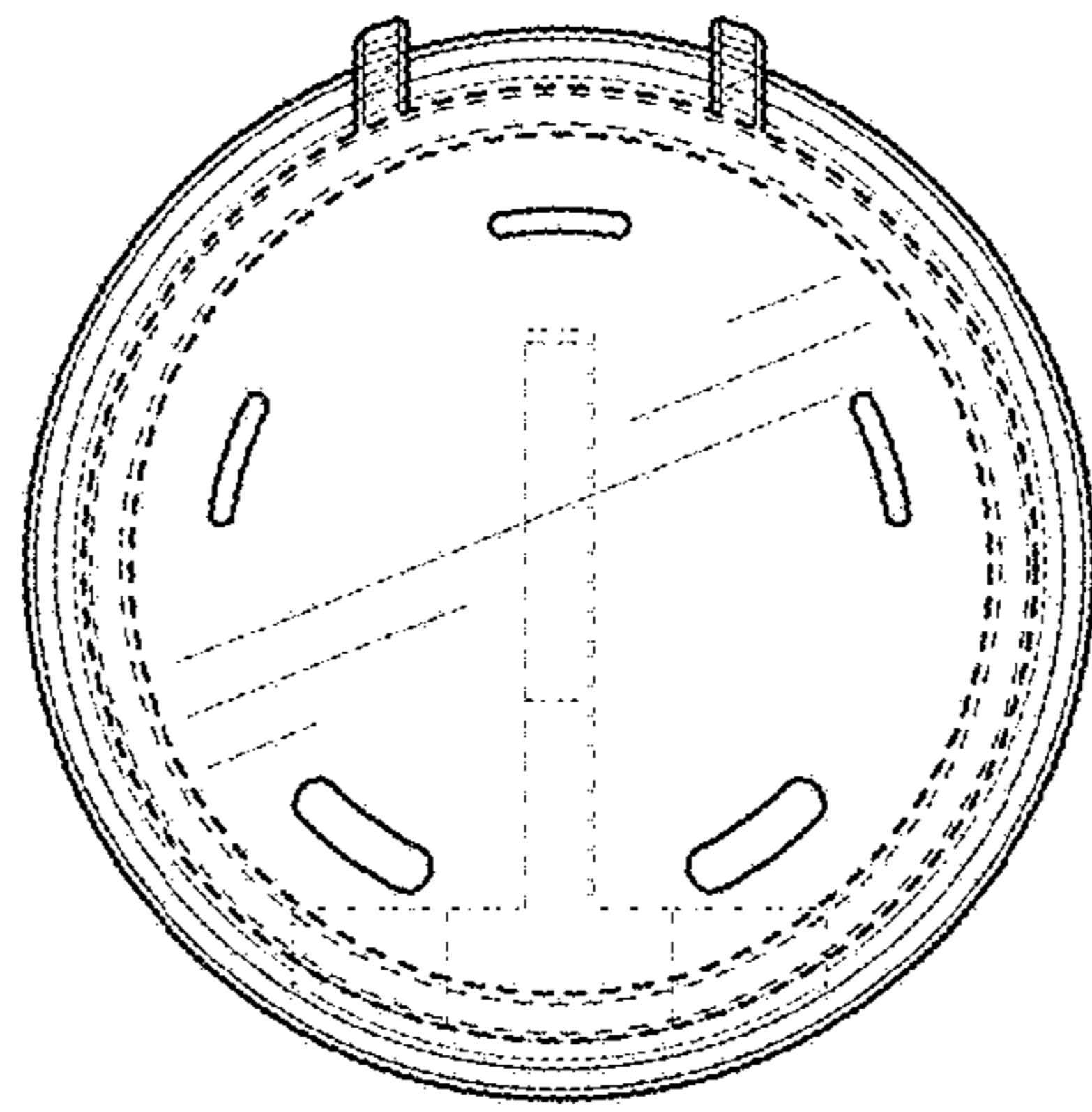


FIG. 27

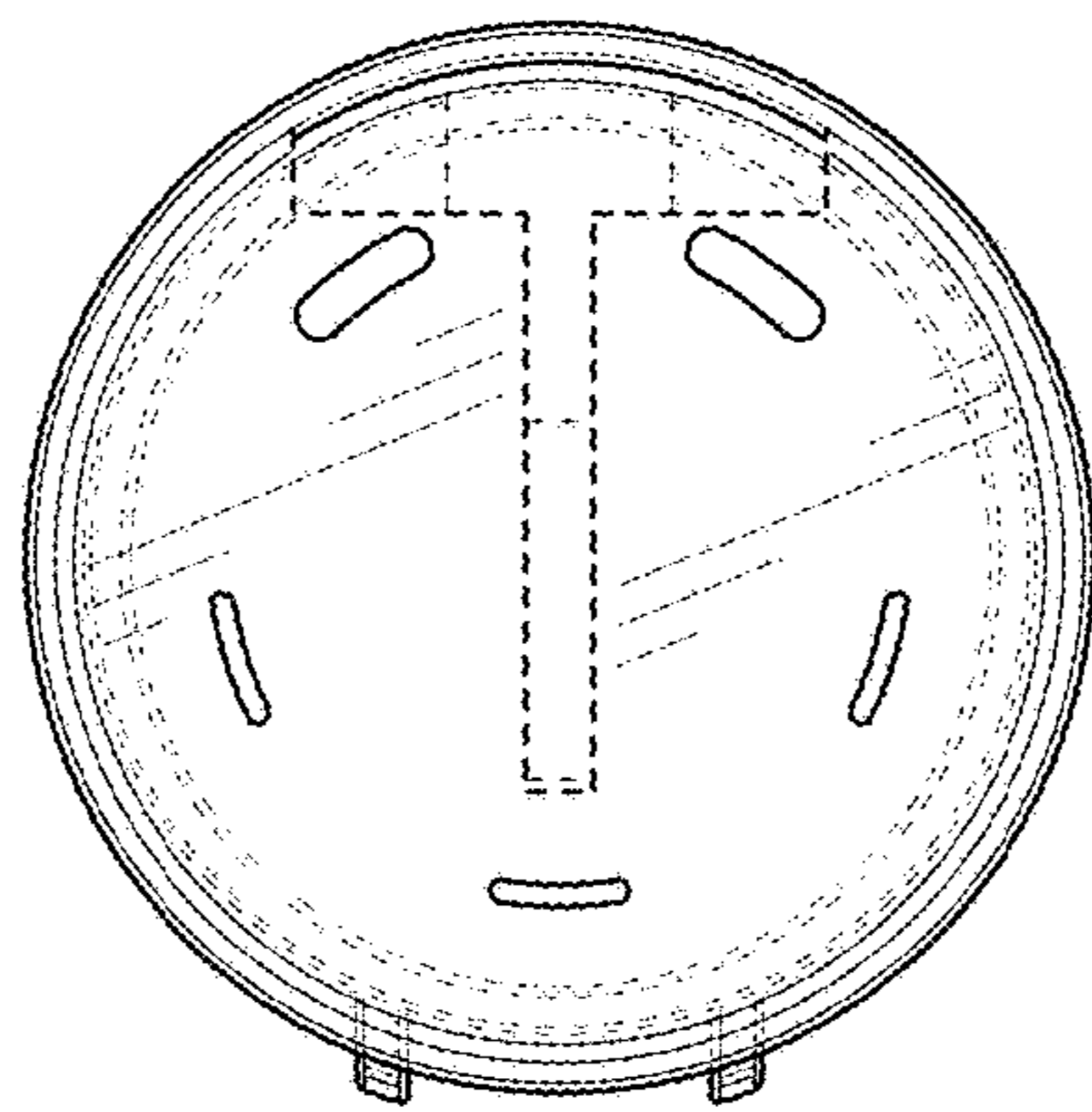


FIG. 28

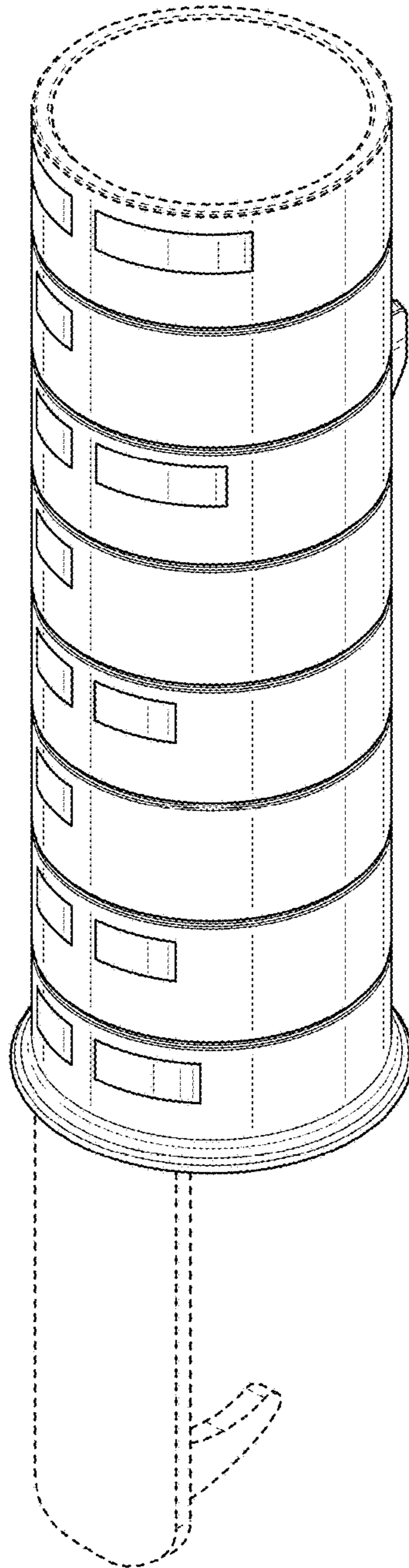


FIG. 29

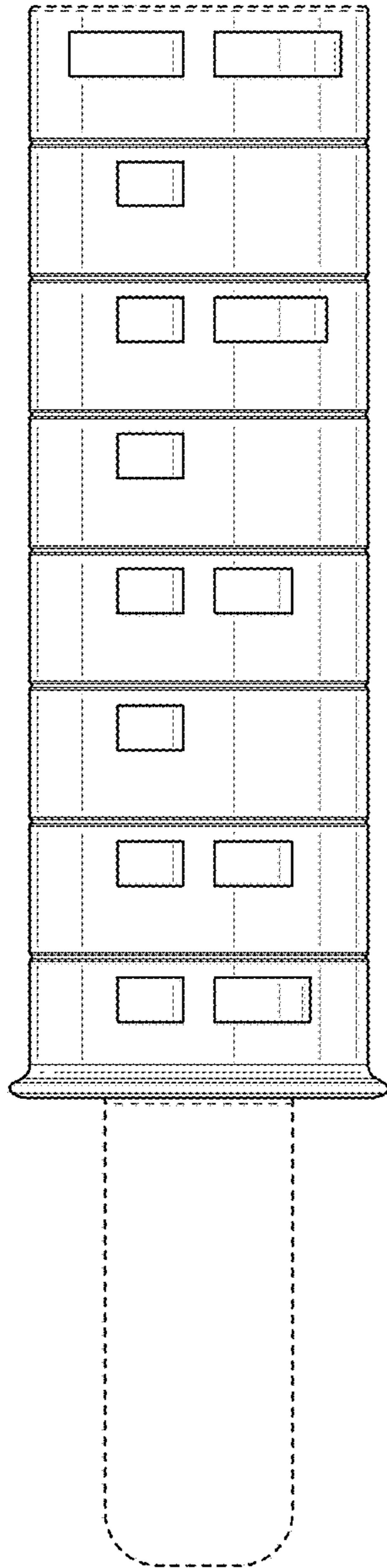


FIG. 30

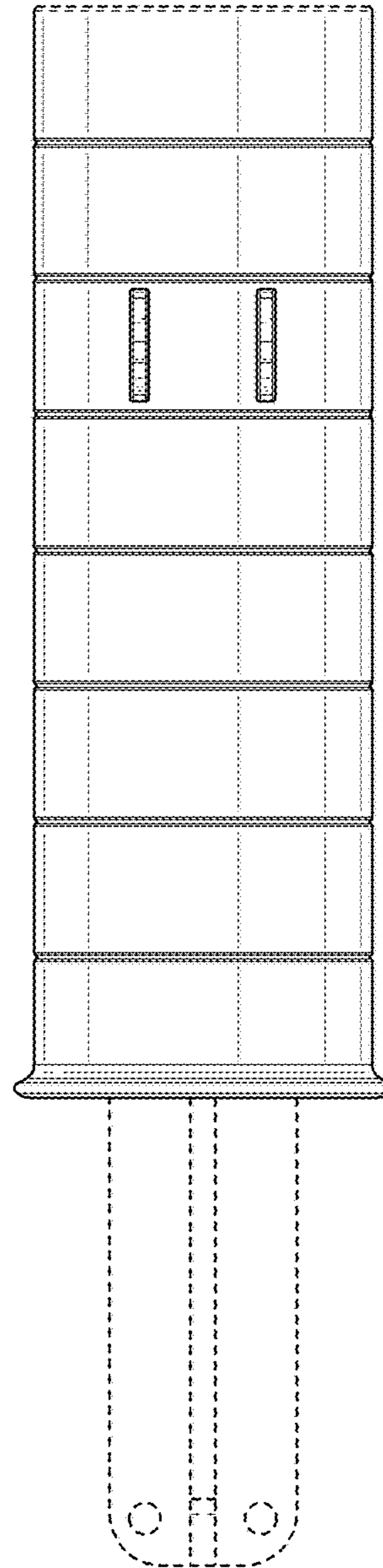


FIG. 31

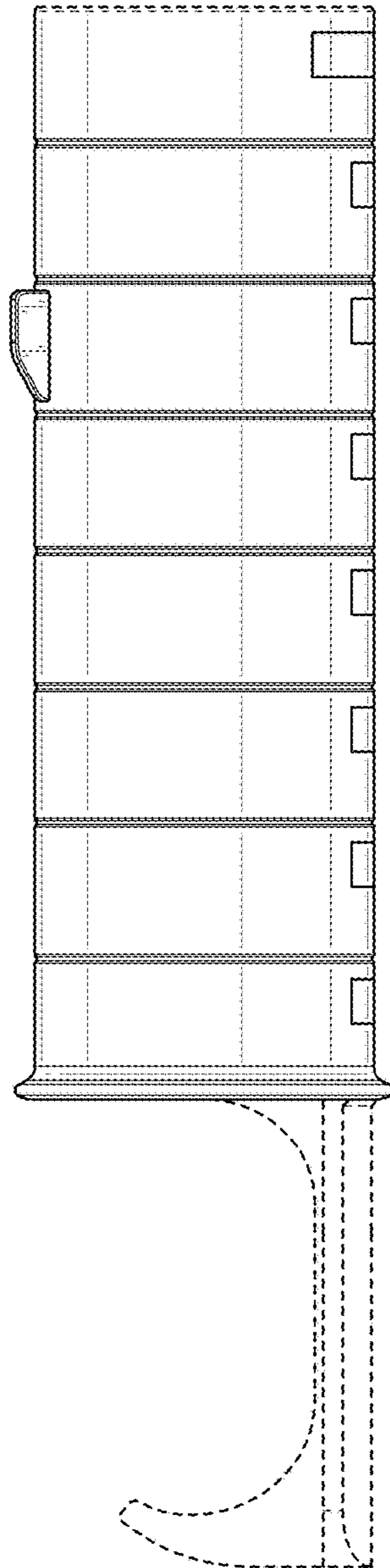


FIG. 32

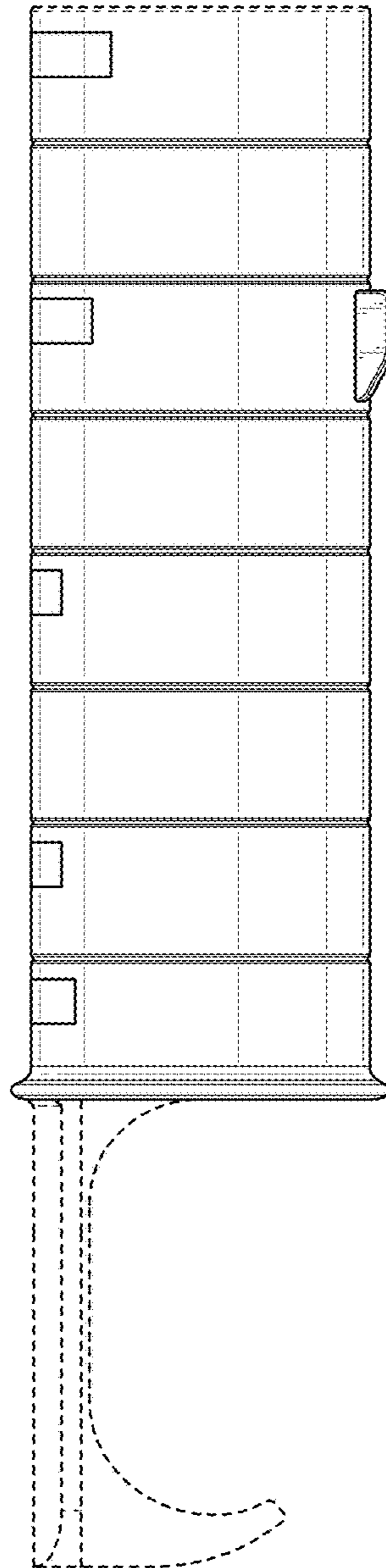


FIG. 33

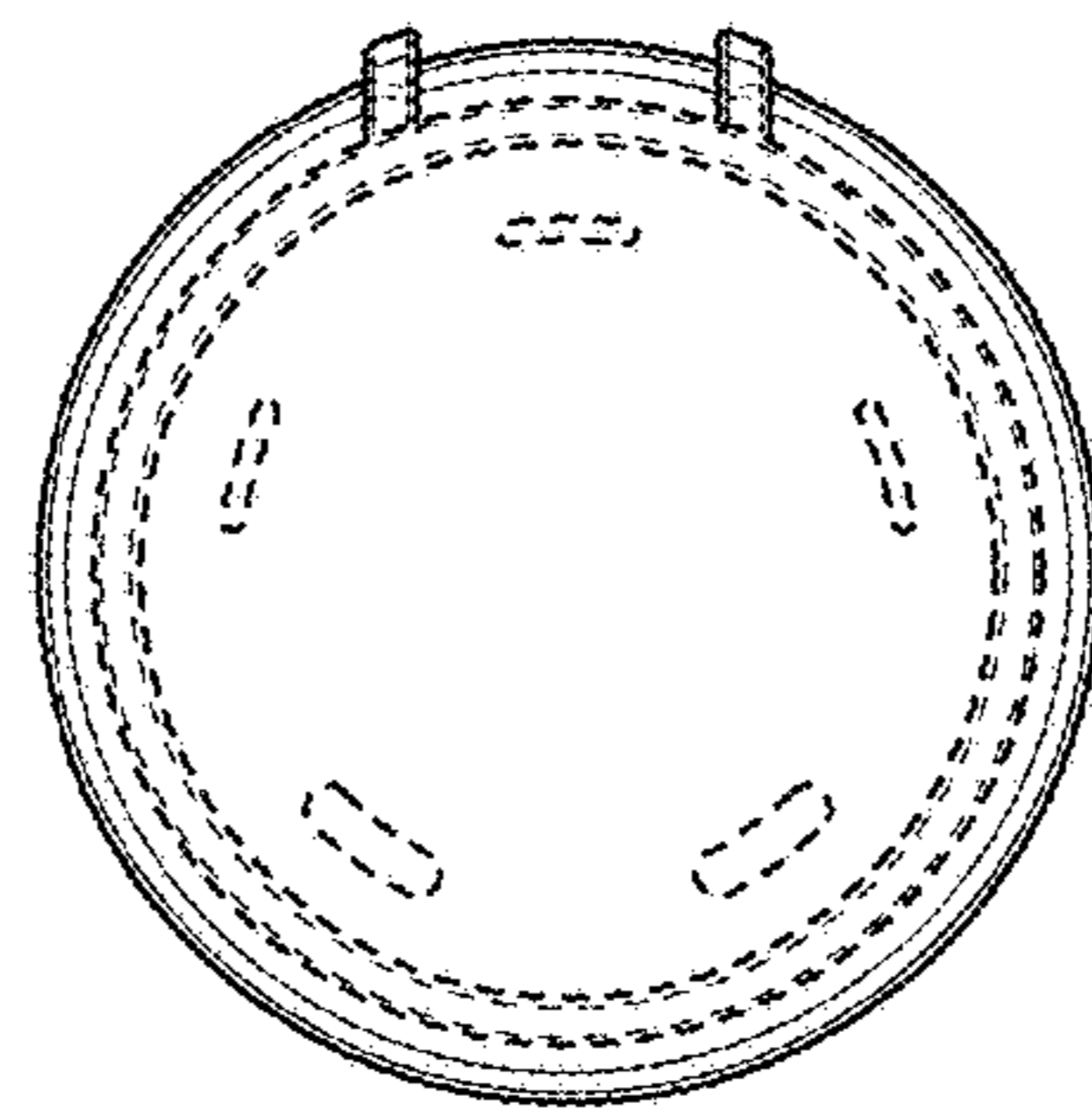


FIG. 34

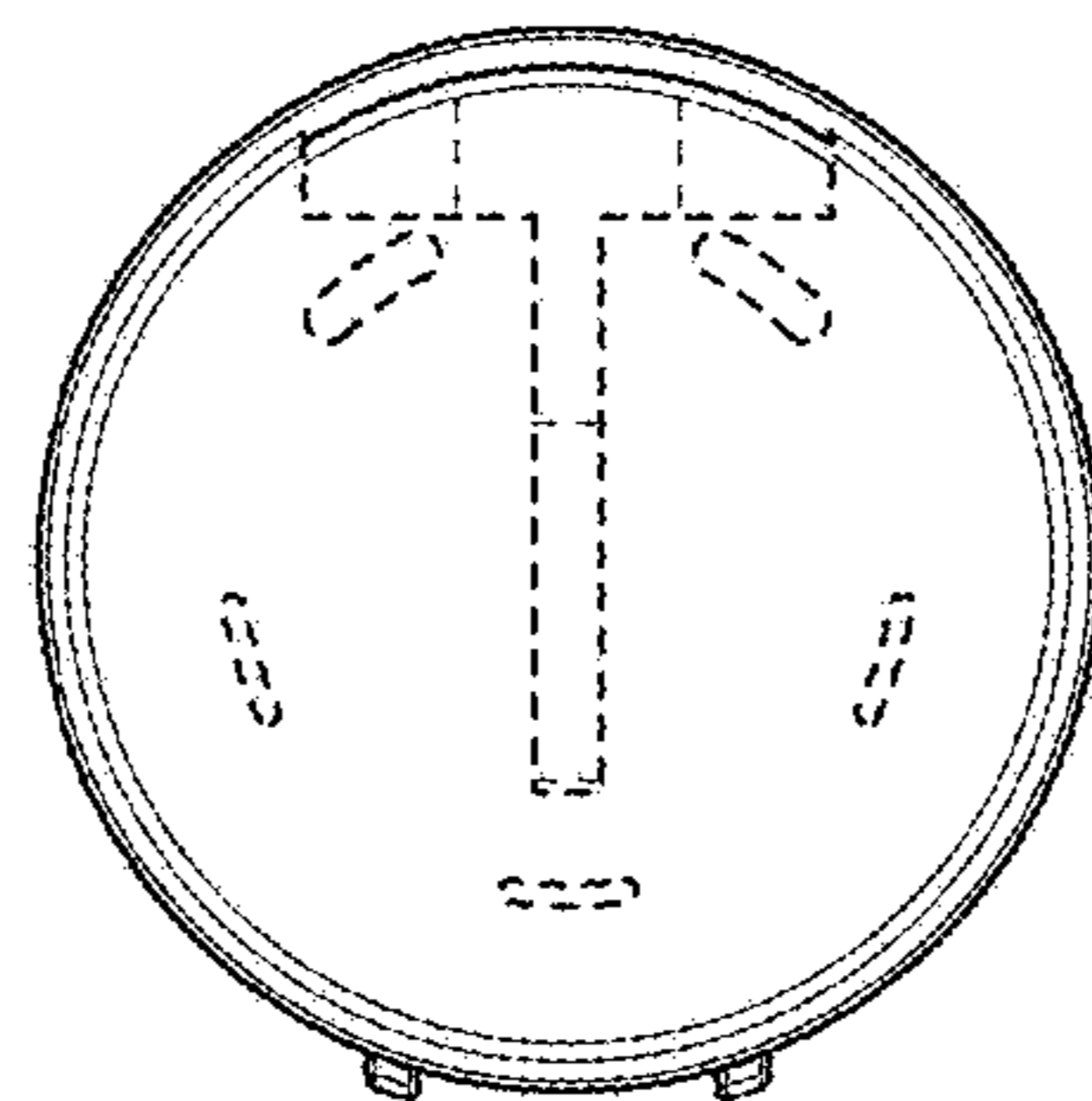


FIG. 35

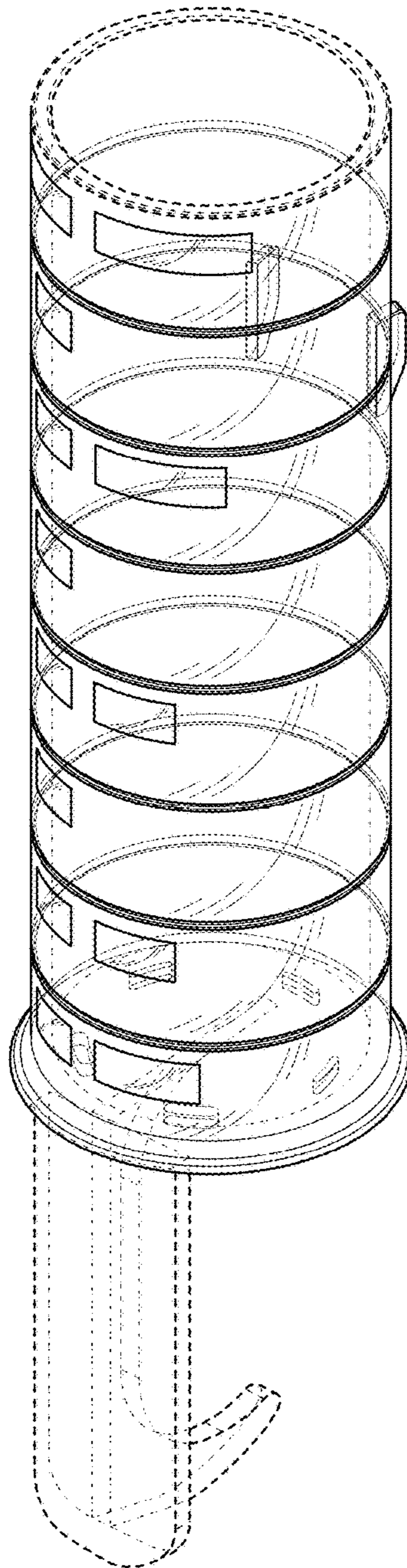


FIG. 36

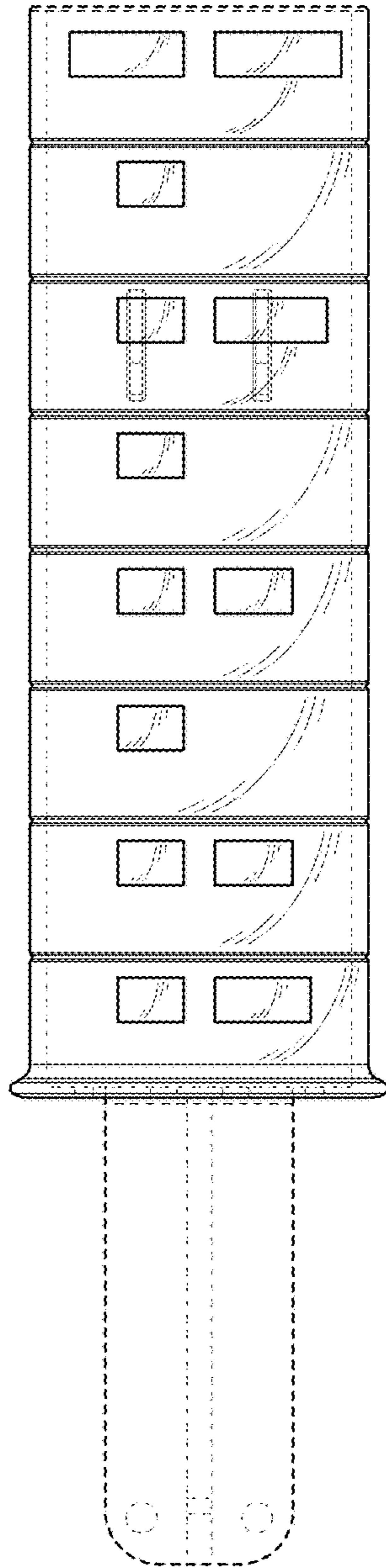


FIG. 37

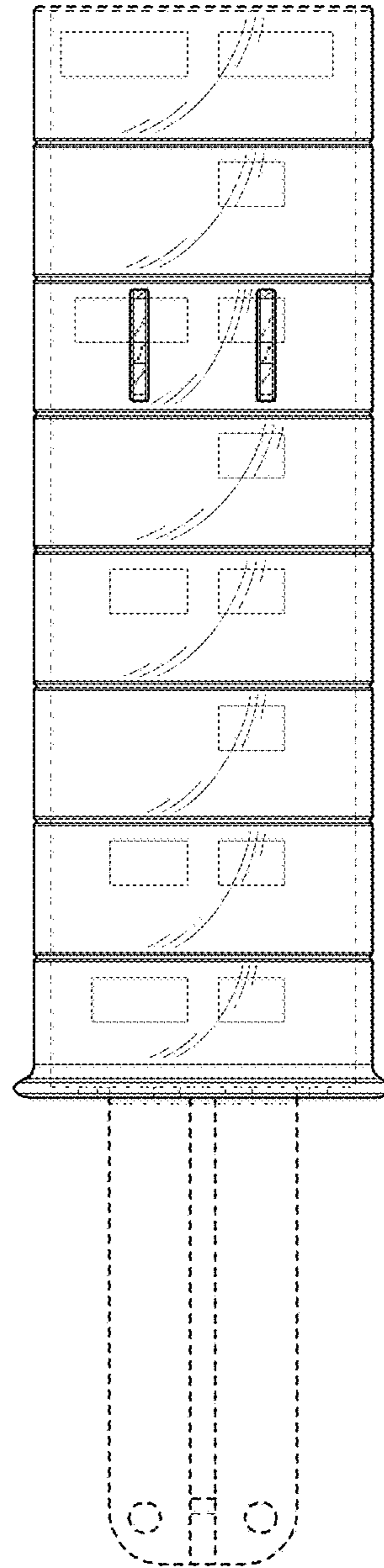


FIG. 38

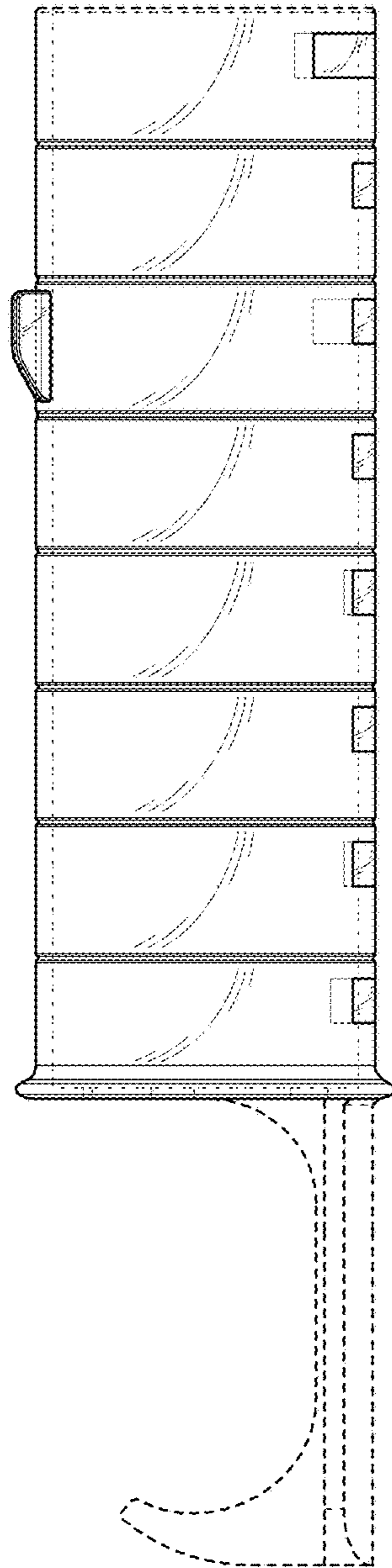


FIG. 39

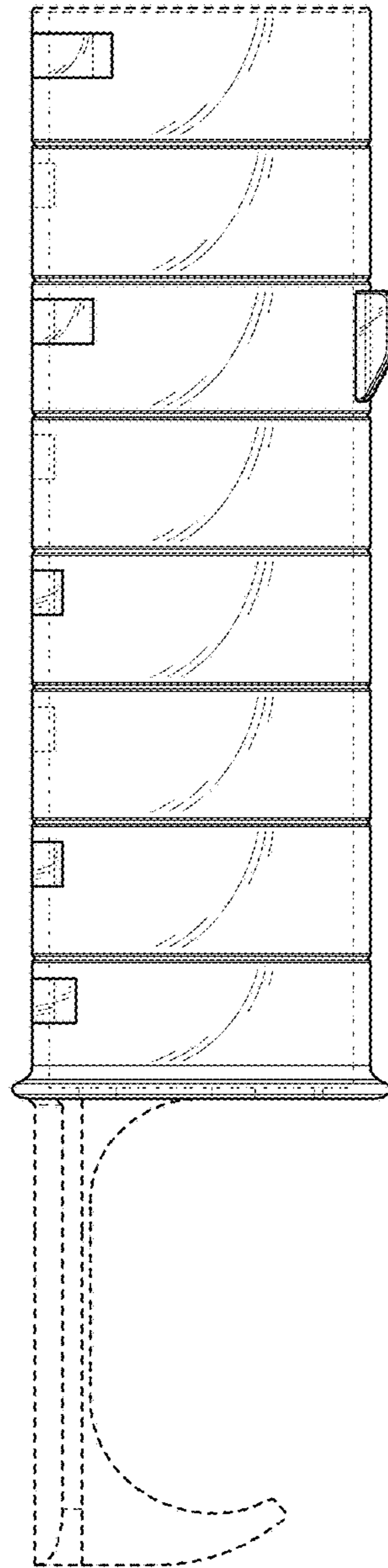


FIG. 40

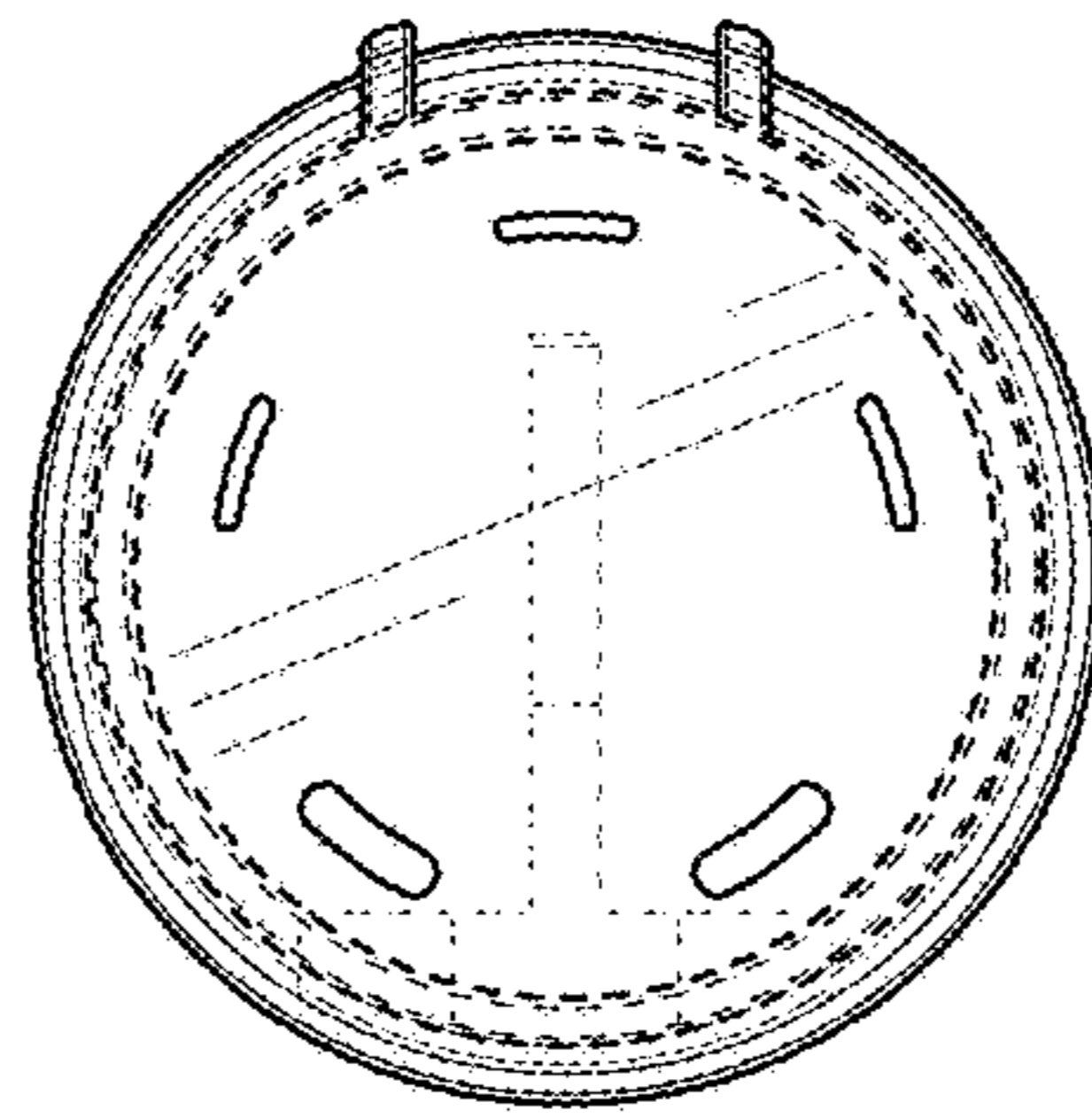


FIG. 41

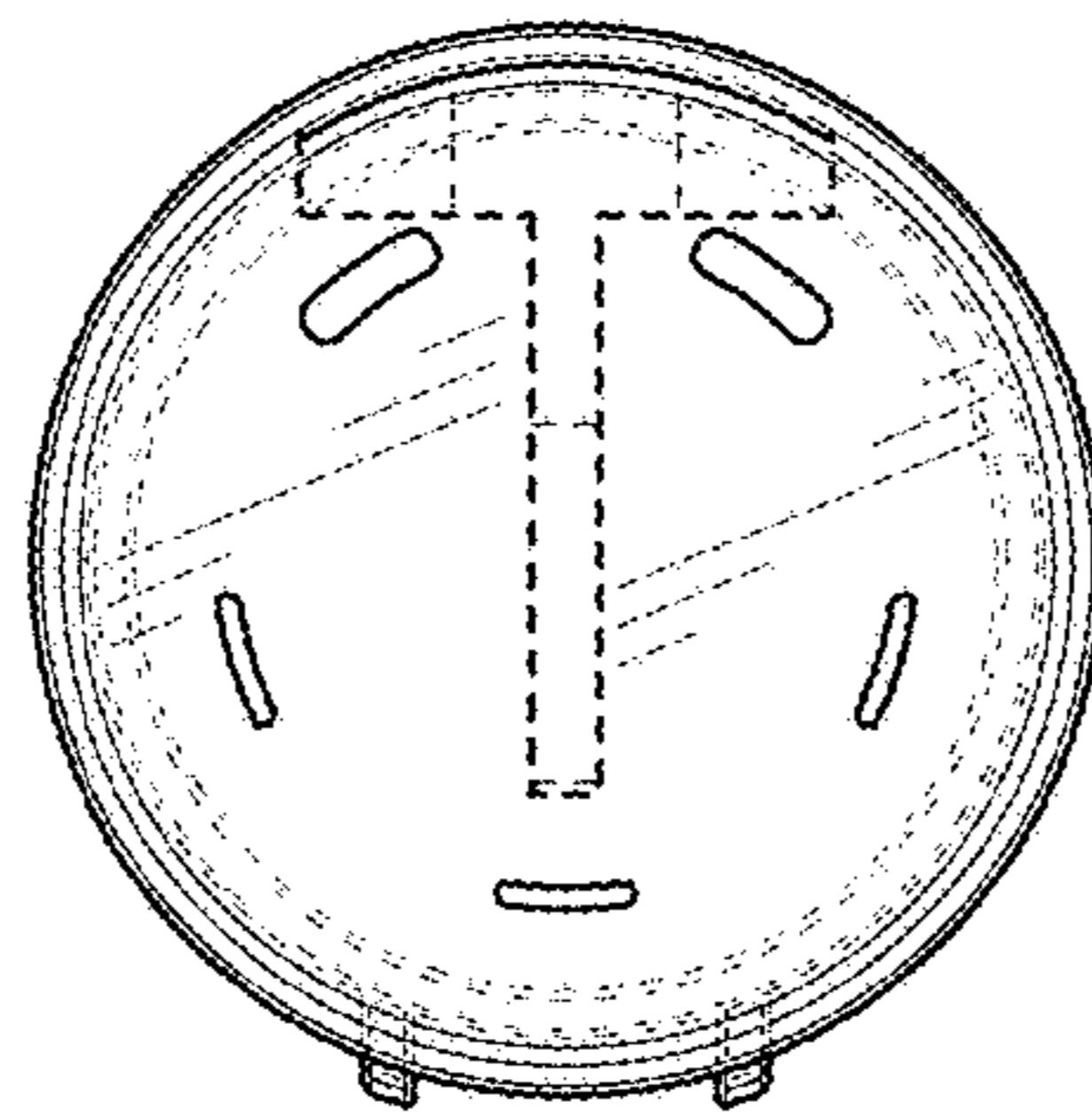


FIG. 42

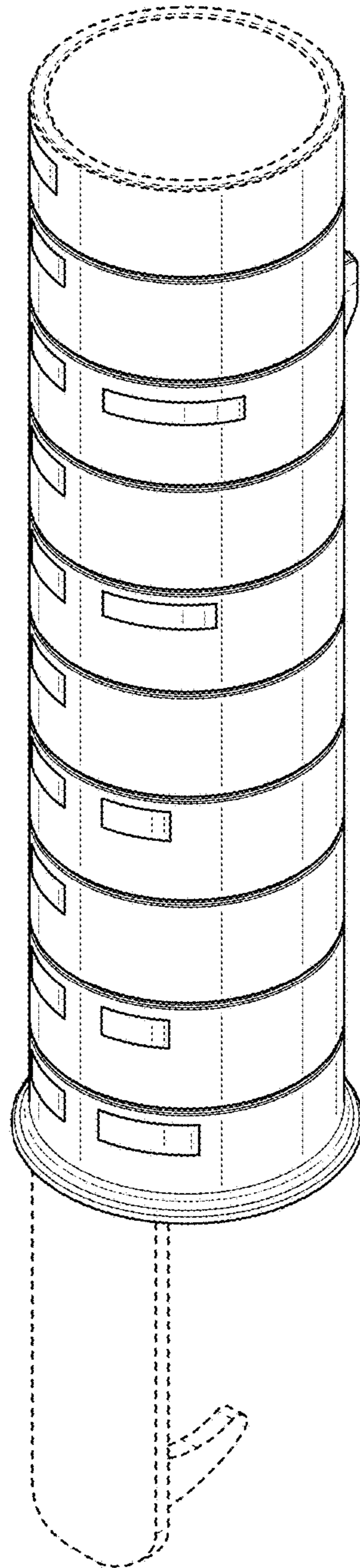


FIG. 43

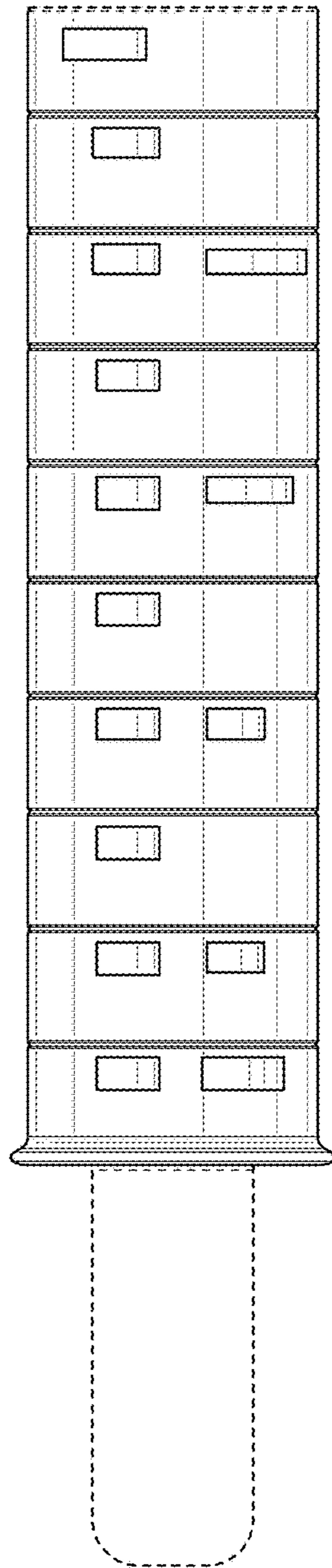


FIG. 44

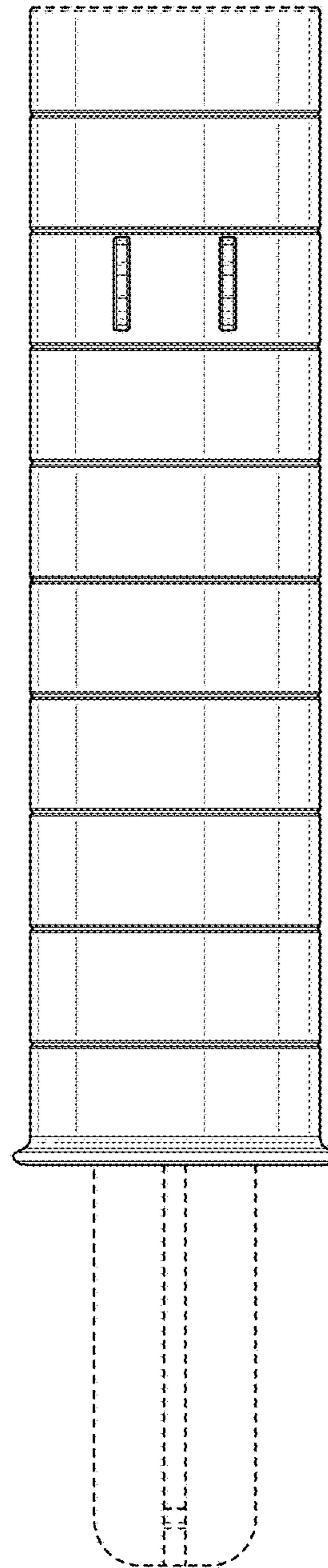


FIG. 45

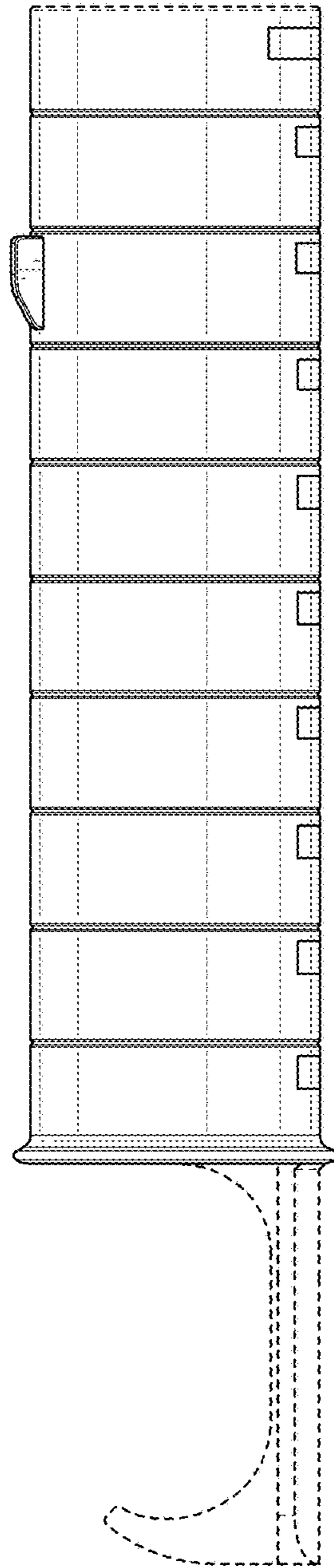


FIG. 46

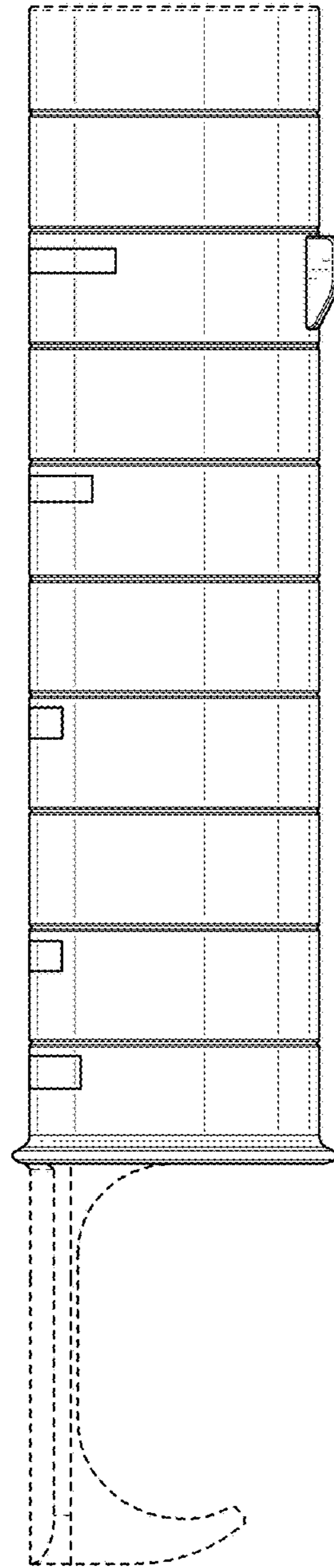


FIG. 47

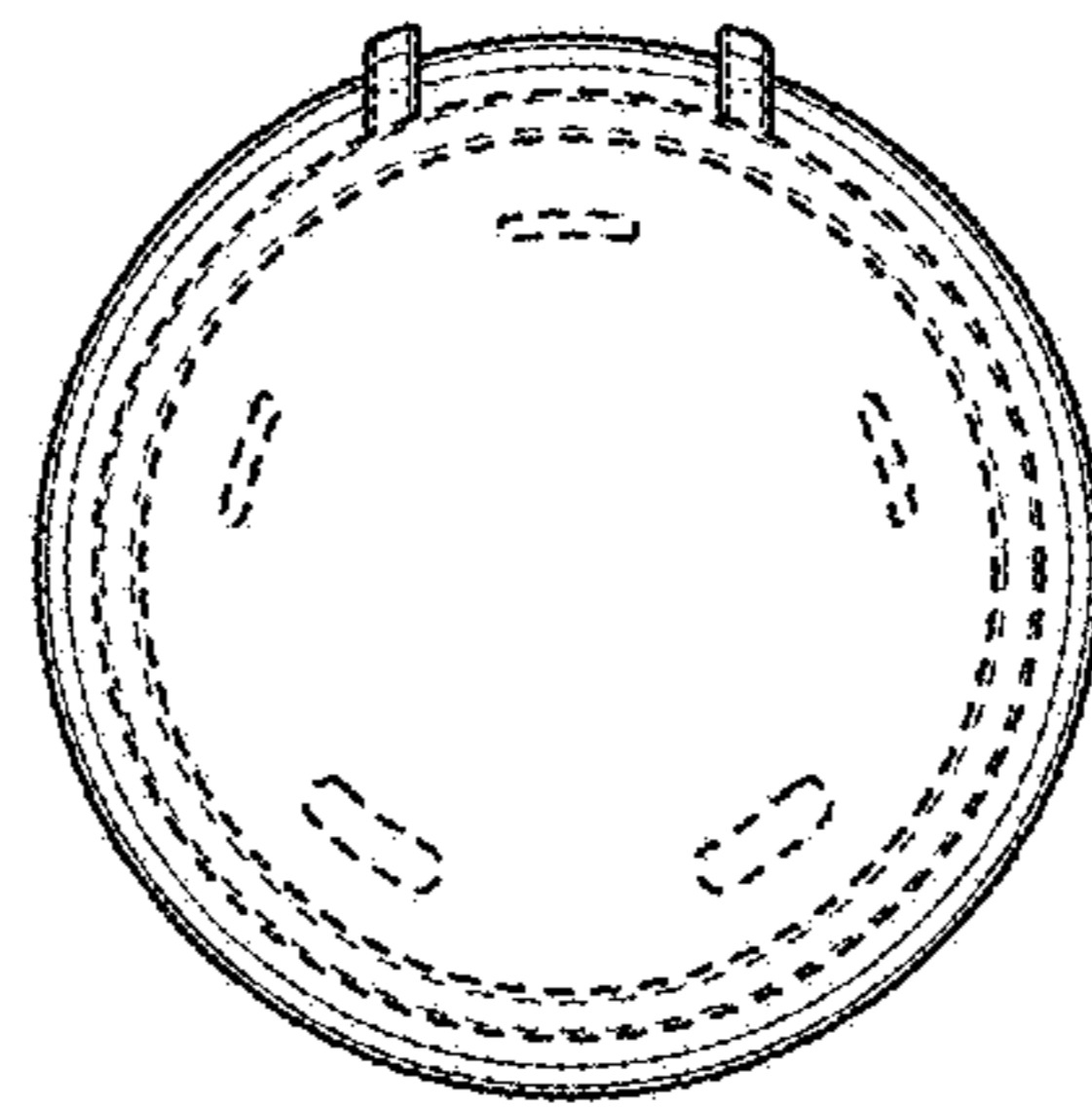


FIG. 48

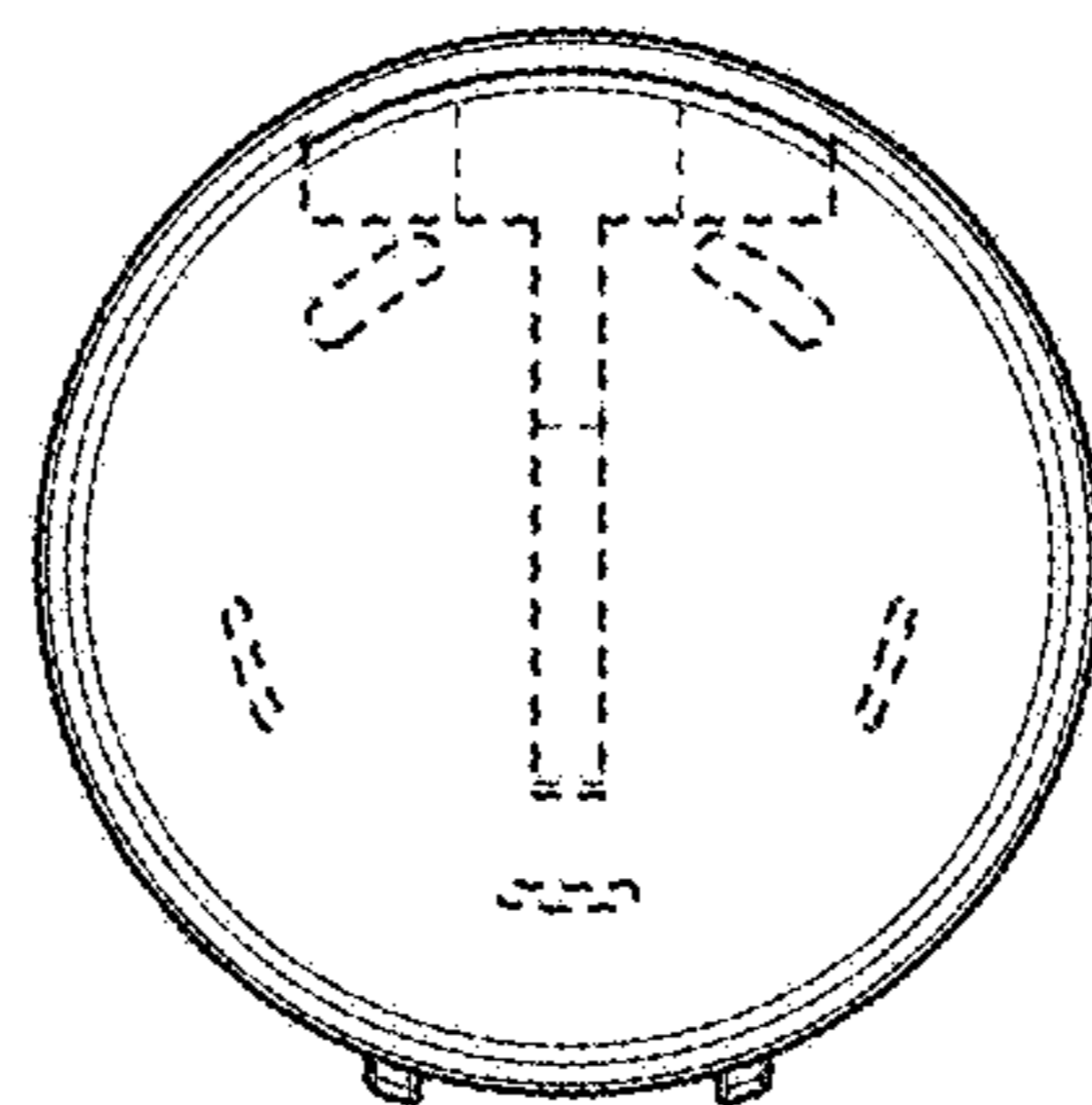


FIG. 49

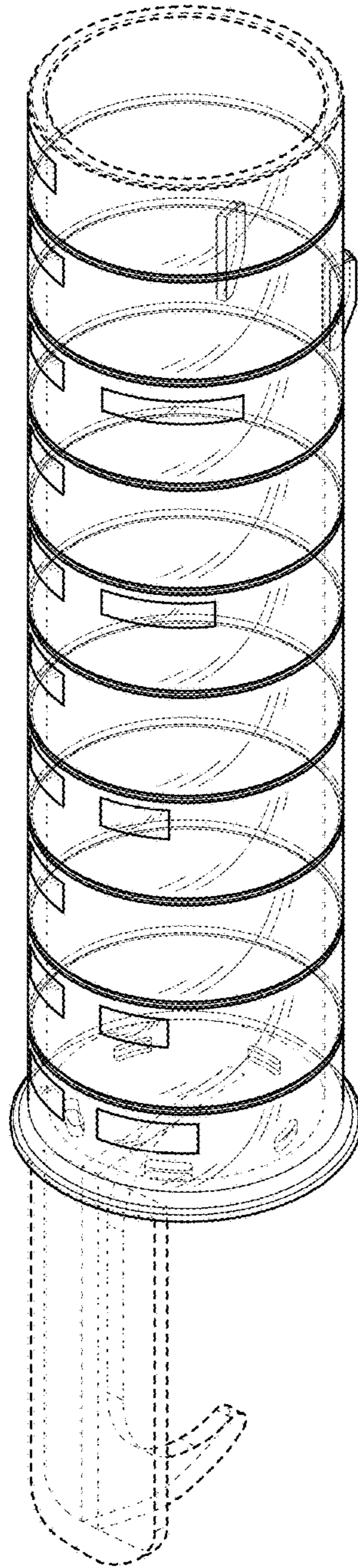


FIG. 50

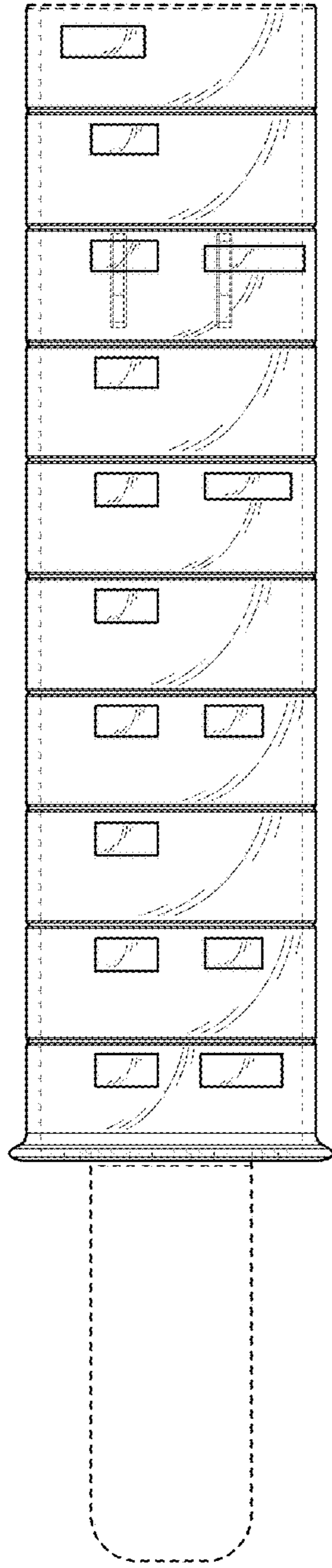


FIG. 51

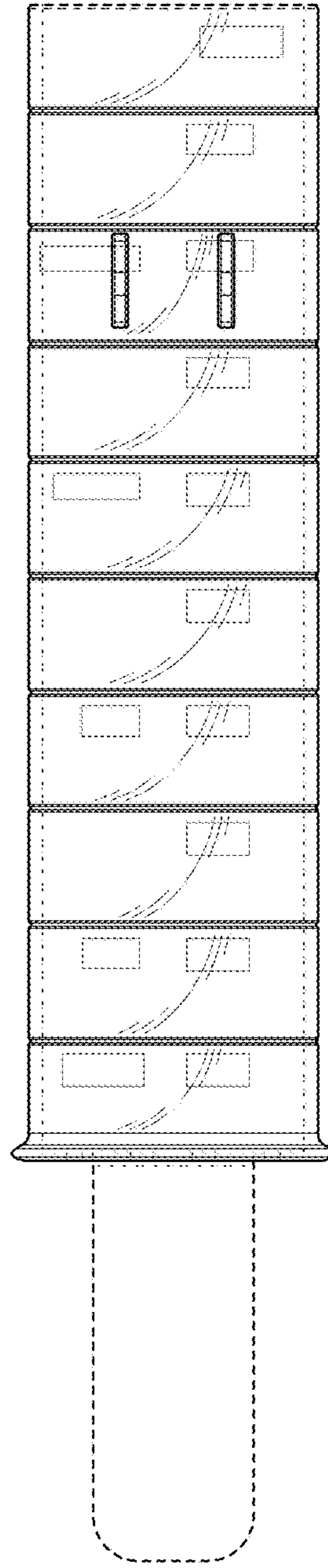


FIG. 52

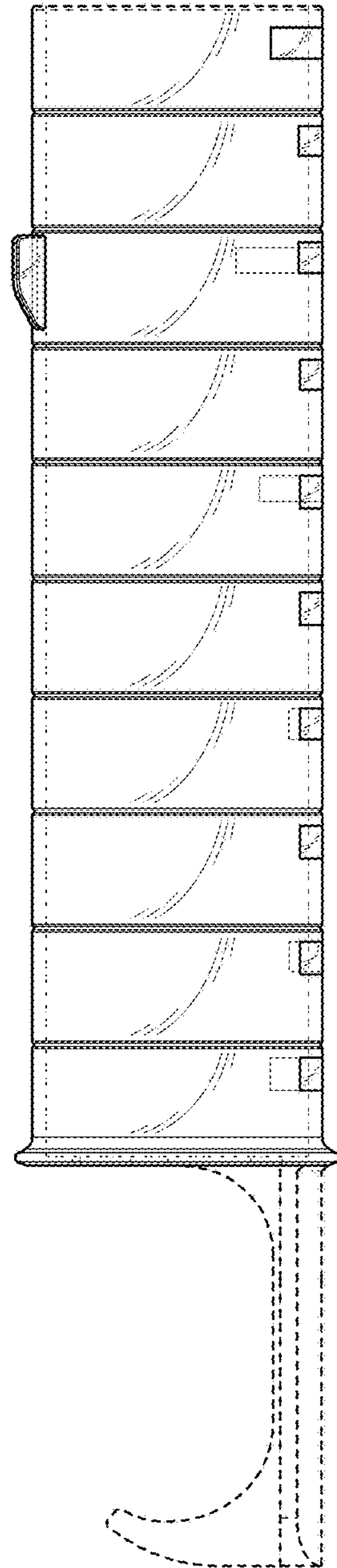


FIG. 53

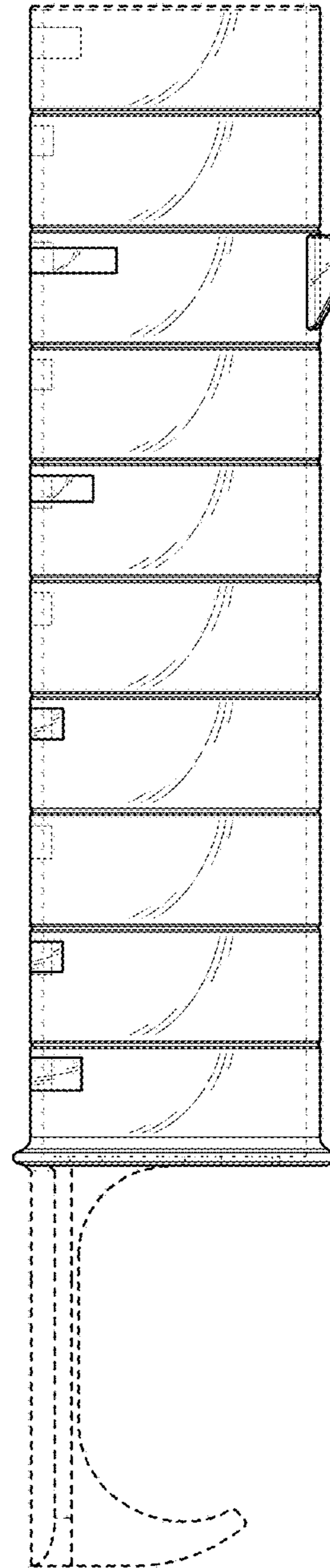


FIG. 54

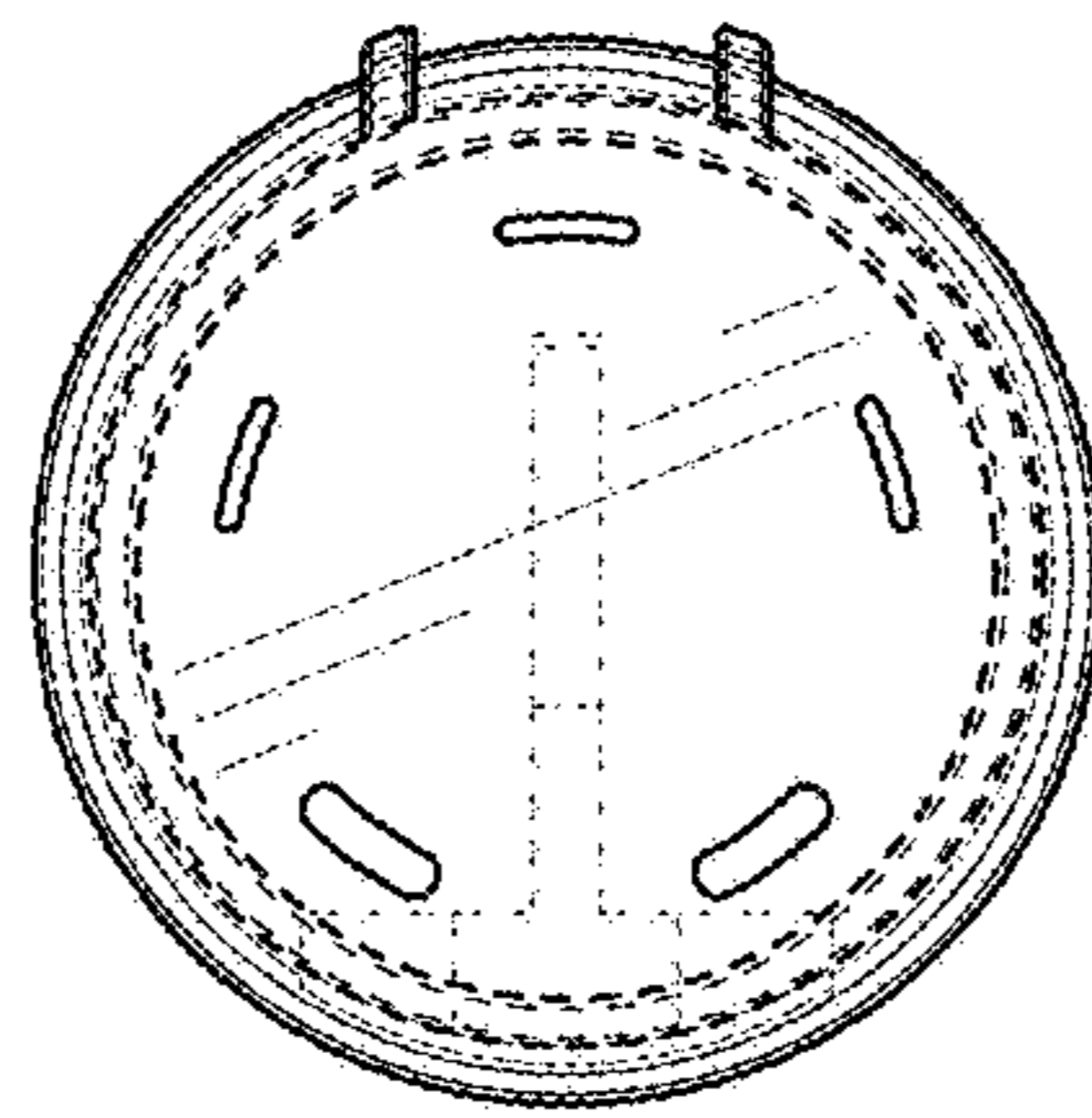


FIG. 55

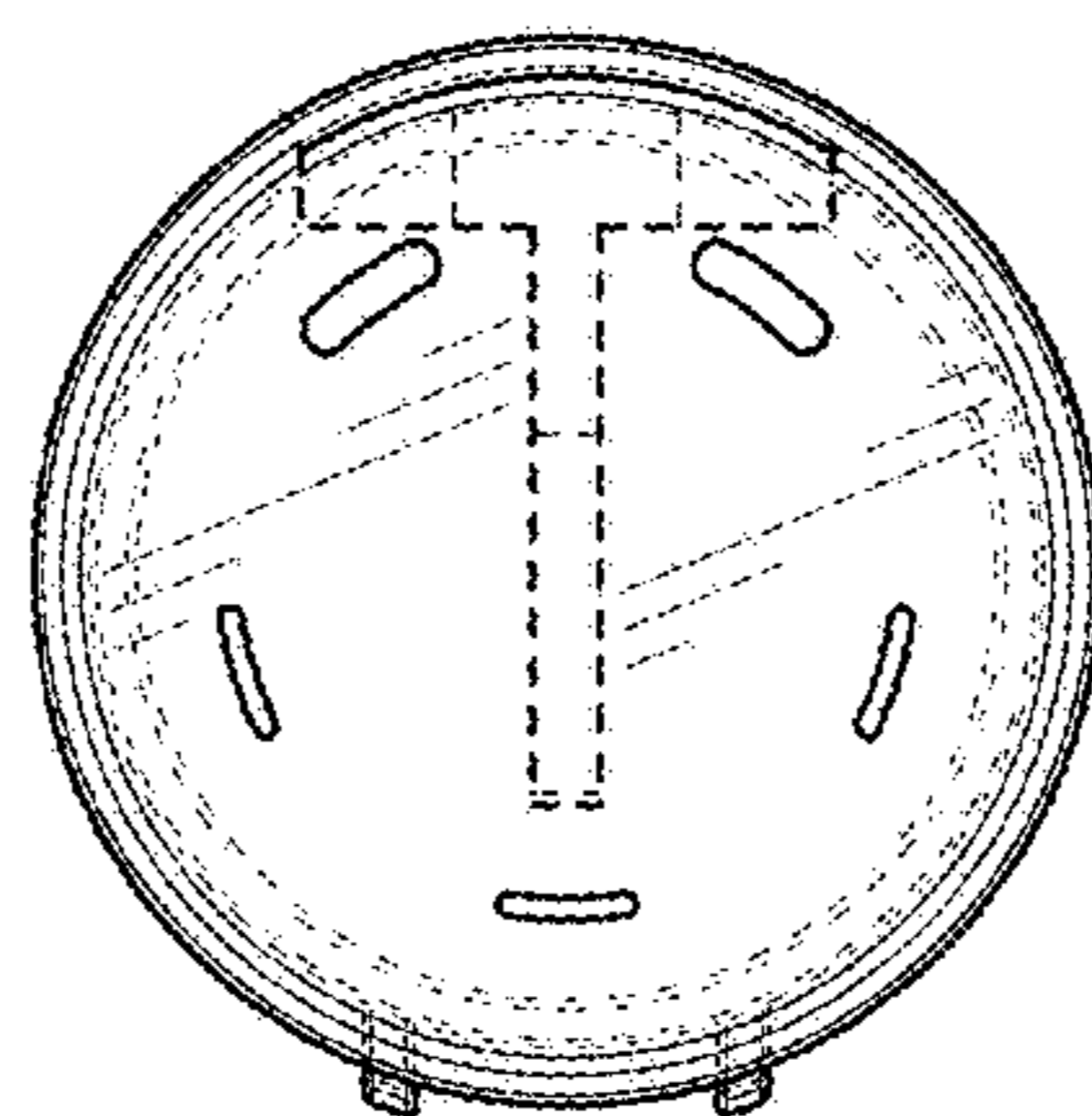


FIG. 56

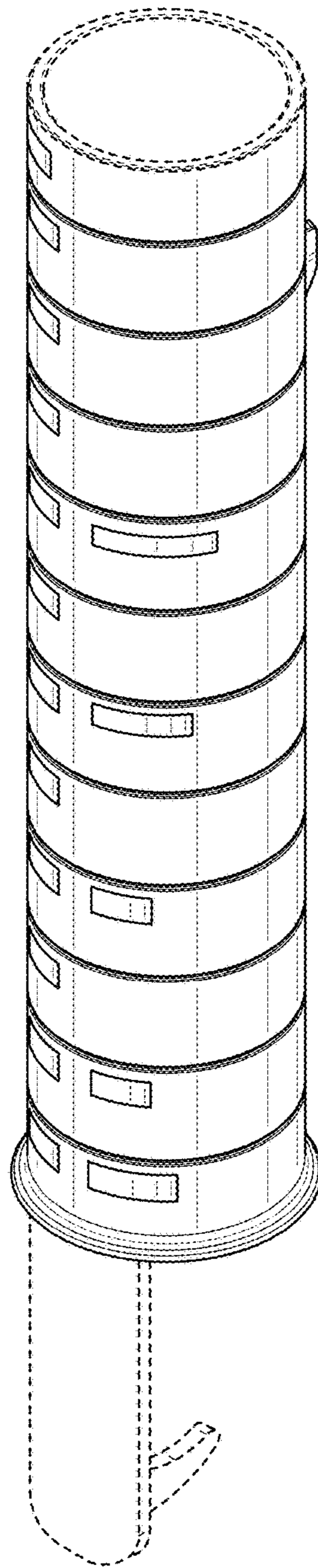


FIG. 57

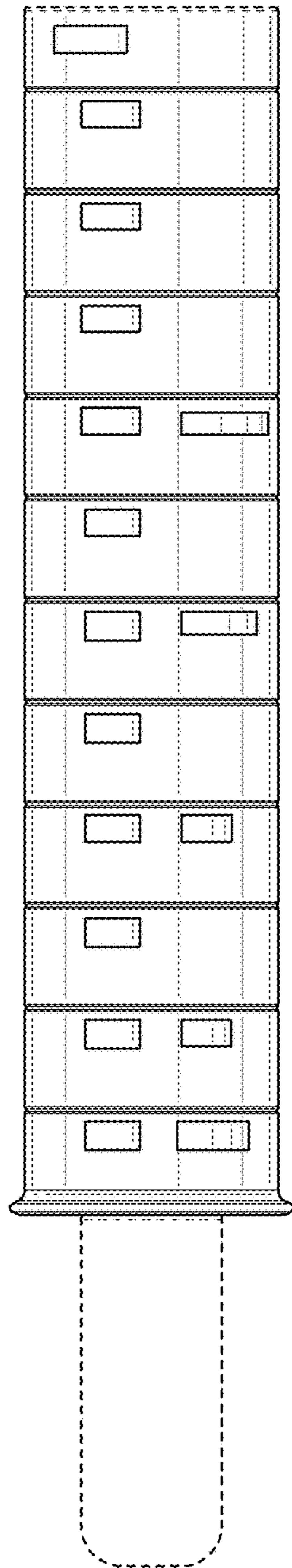


FIG. 58

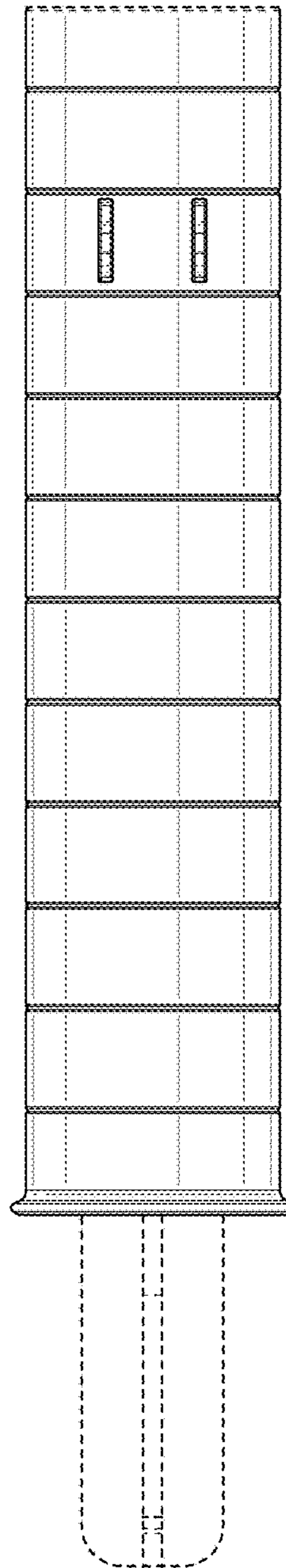


FIG. 59

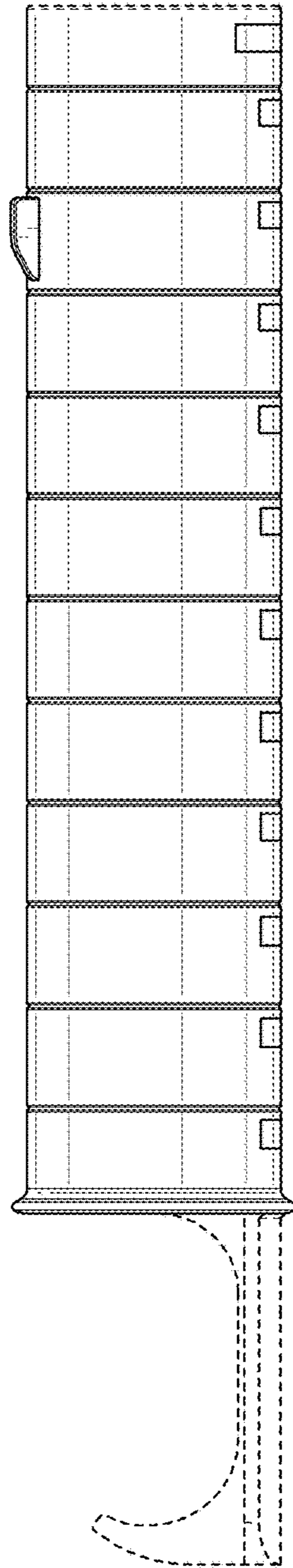


FIG. 60

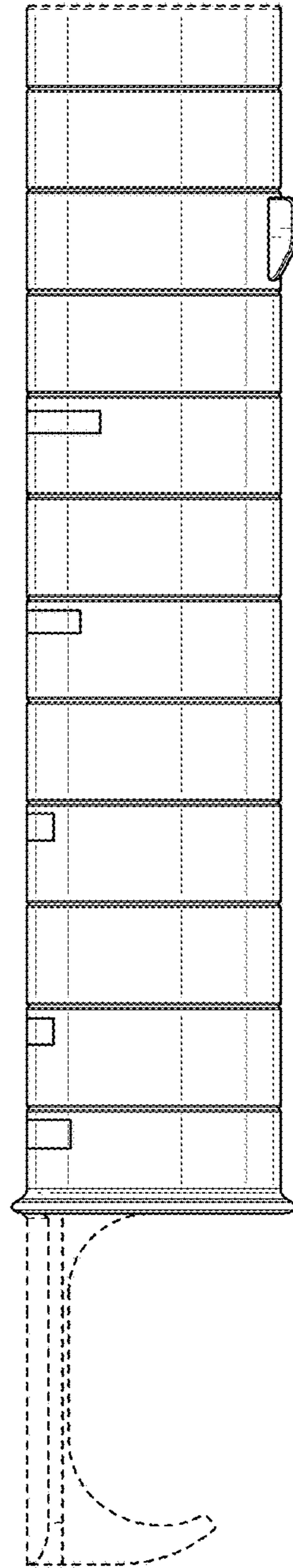


FIG. 61

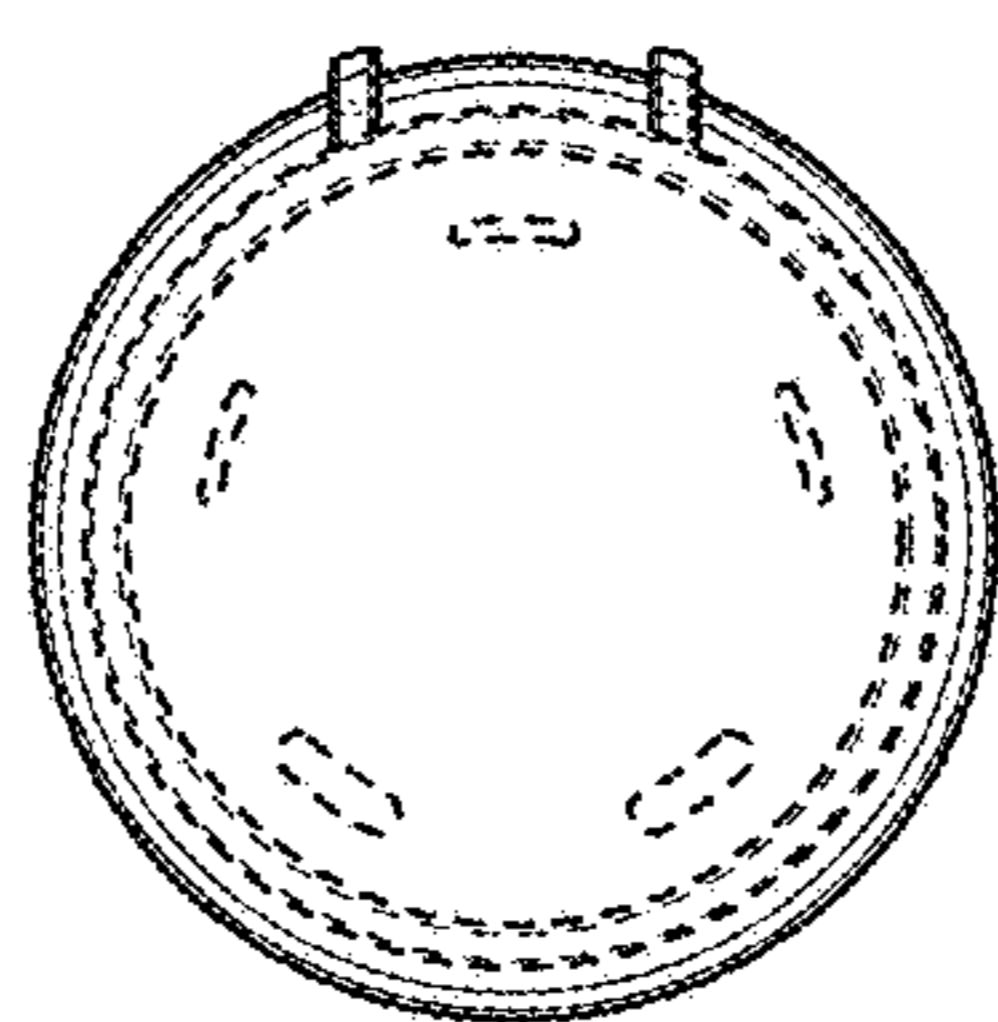


FIG. 62

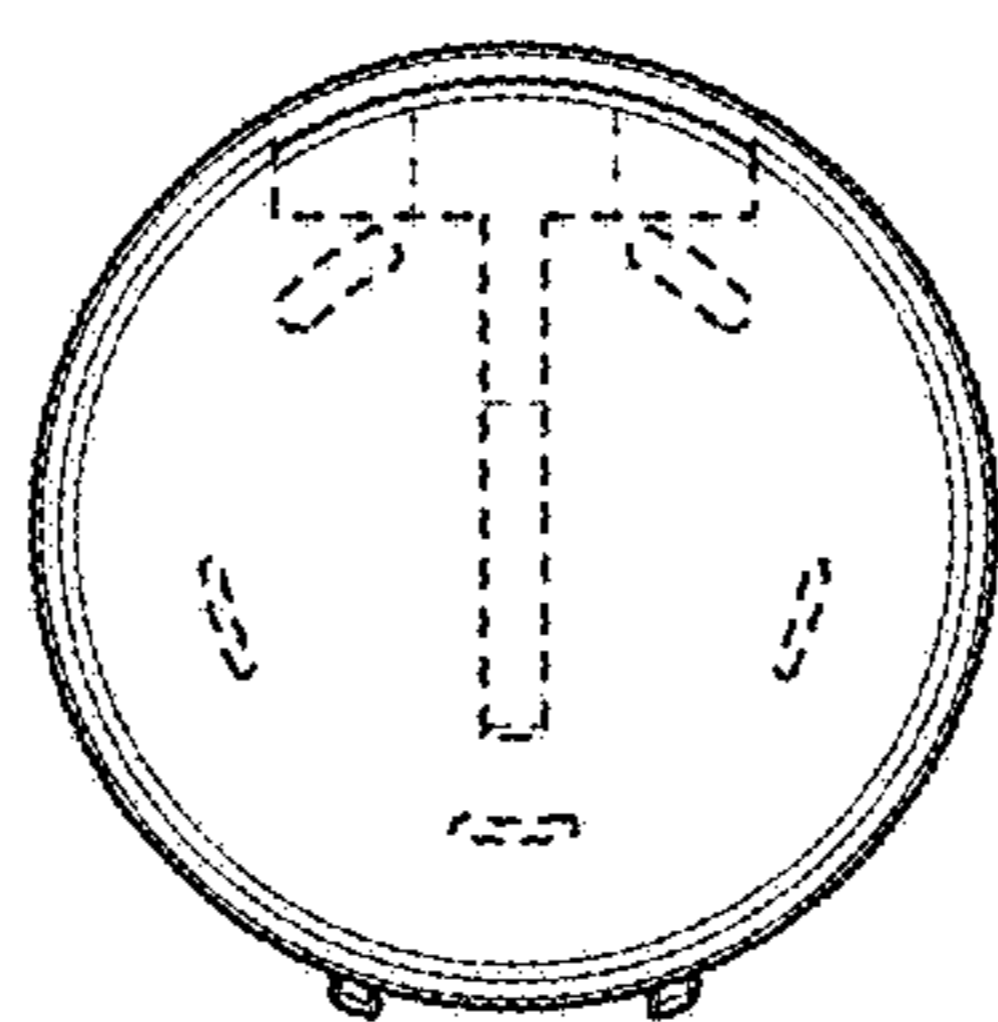


FIG. 63

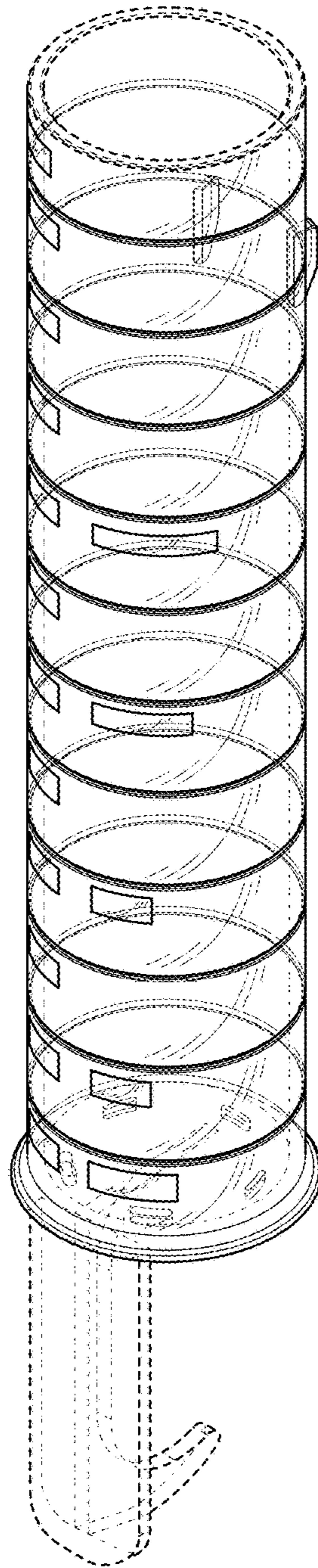


FIG. 64

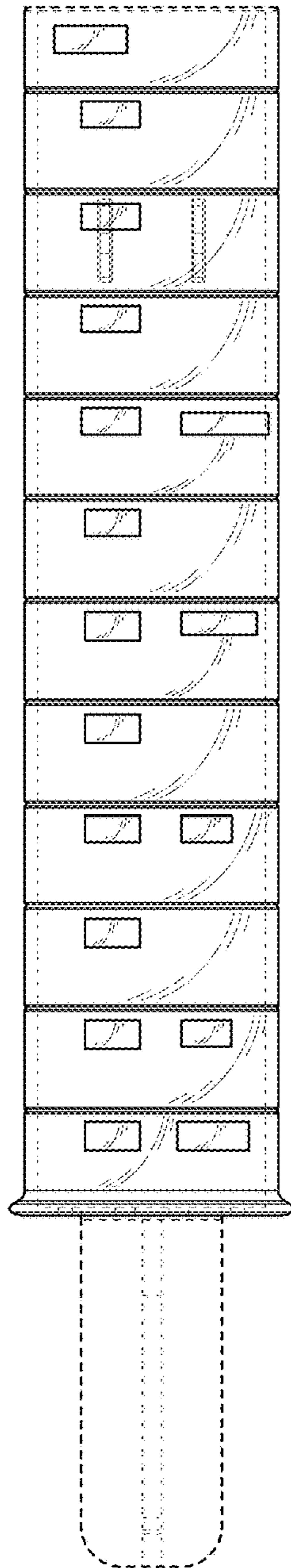


FIG. 65

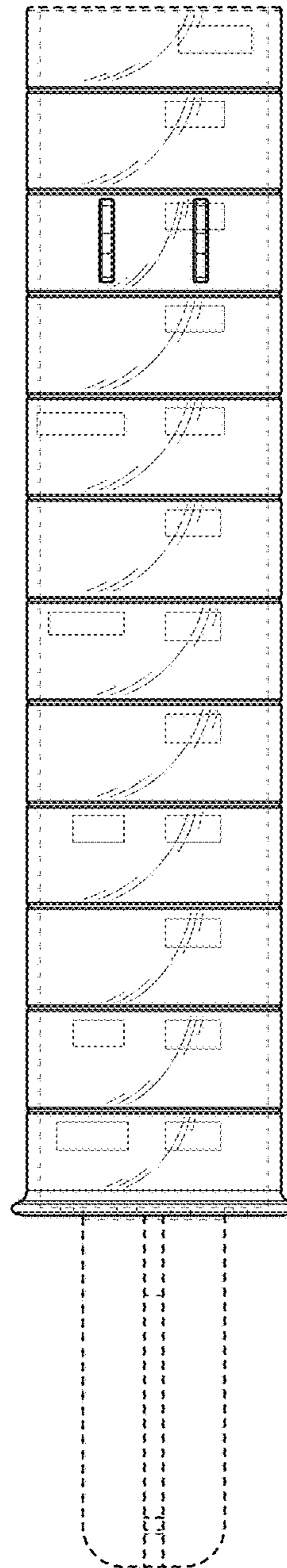


FIG. 66

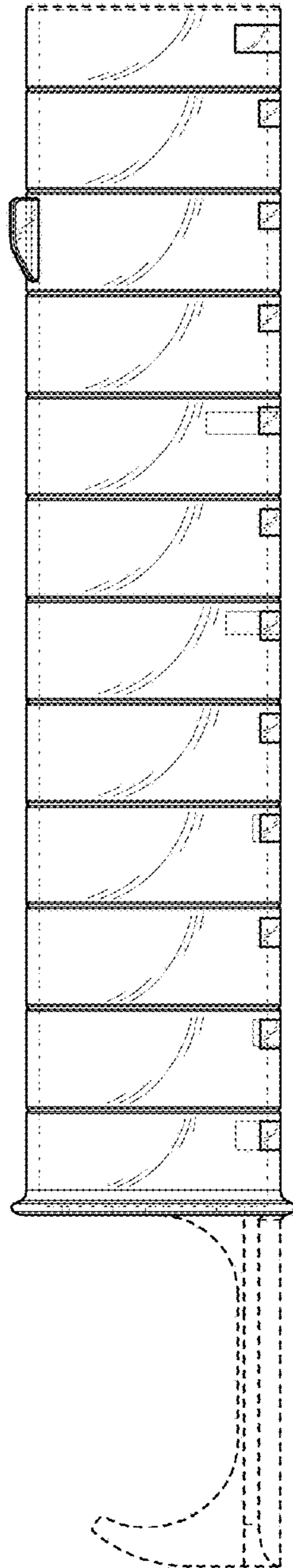


FIG. 67

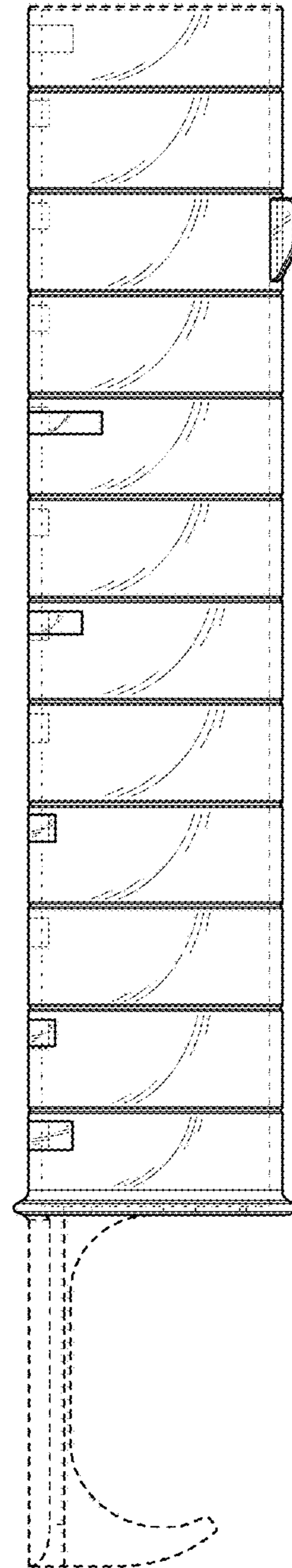


FIG. 68

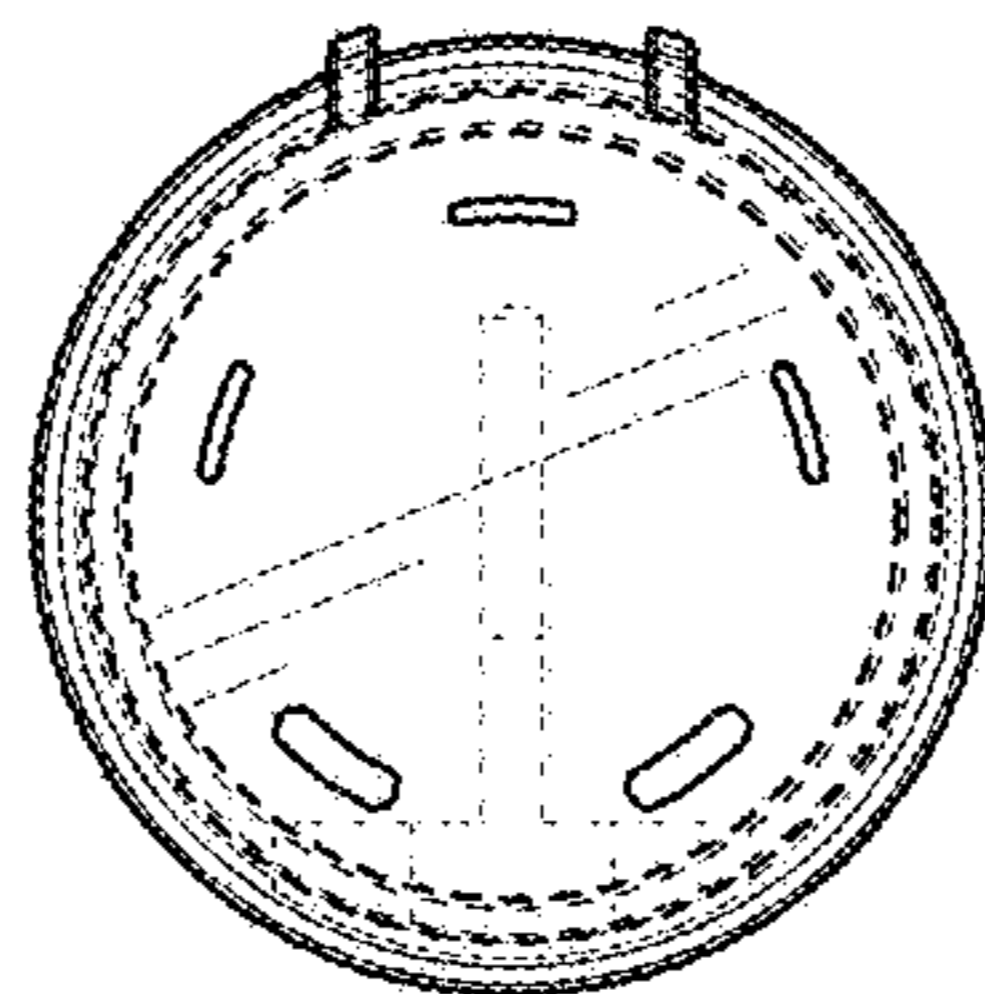


FIG. 69

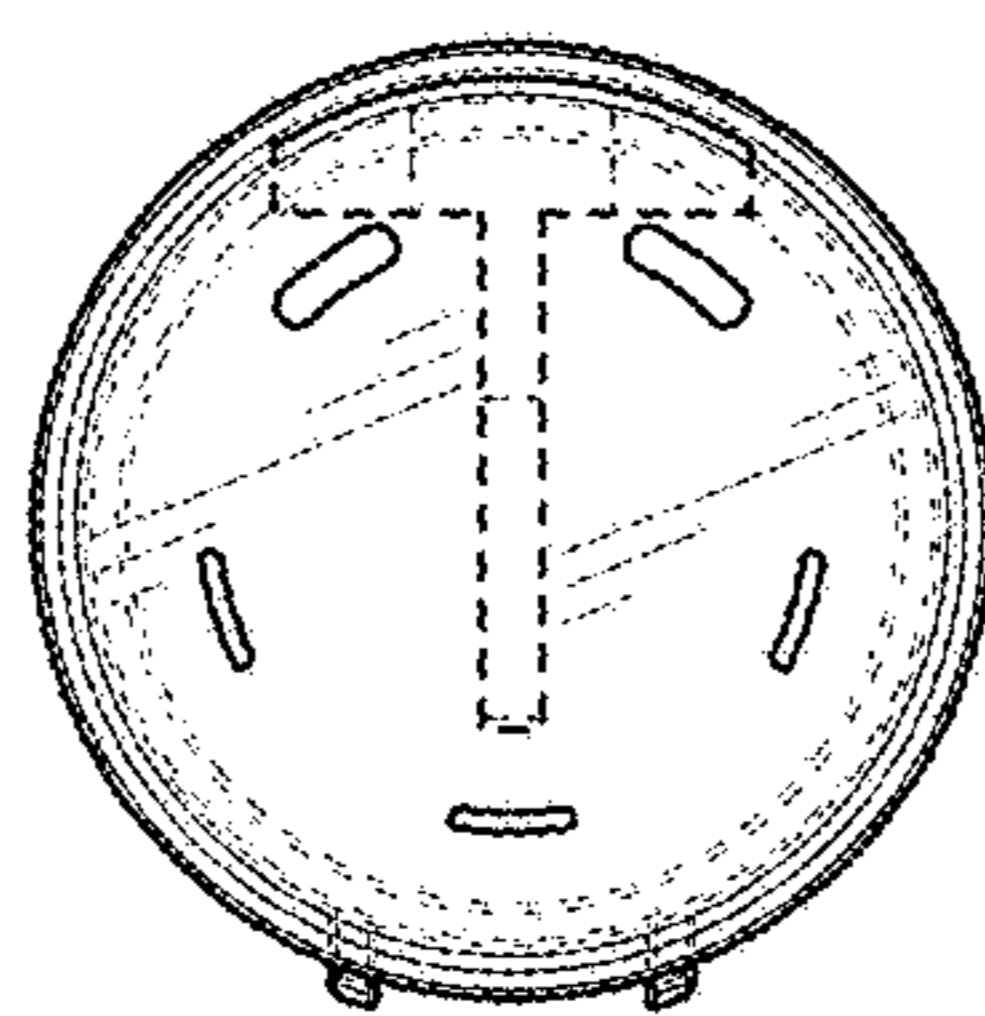


FIG. 70

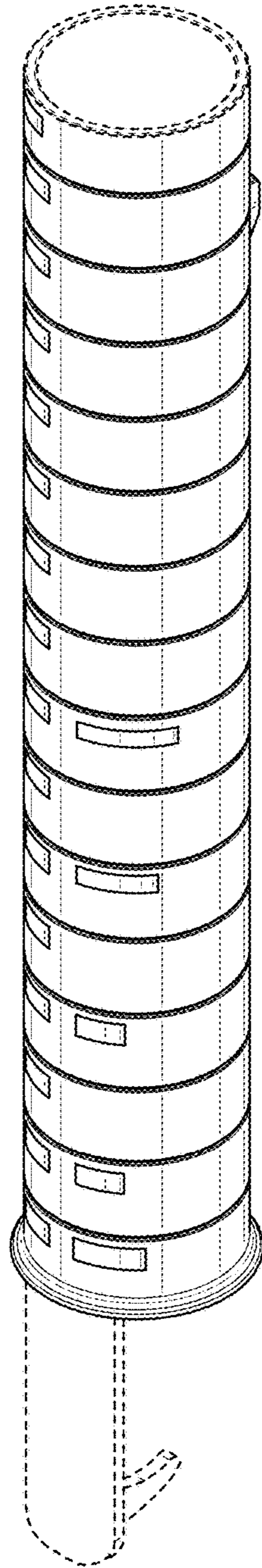


FIG. 71

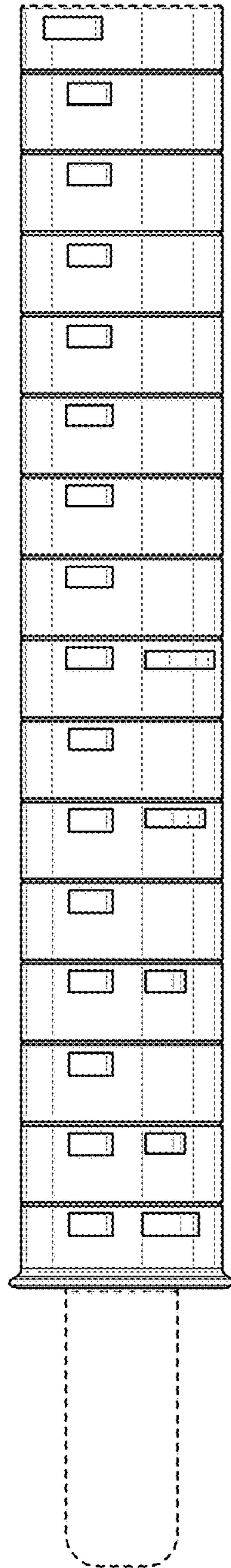


FIG. 72

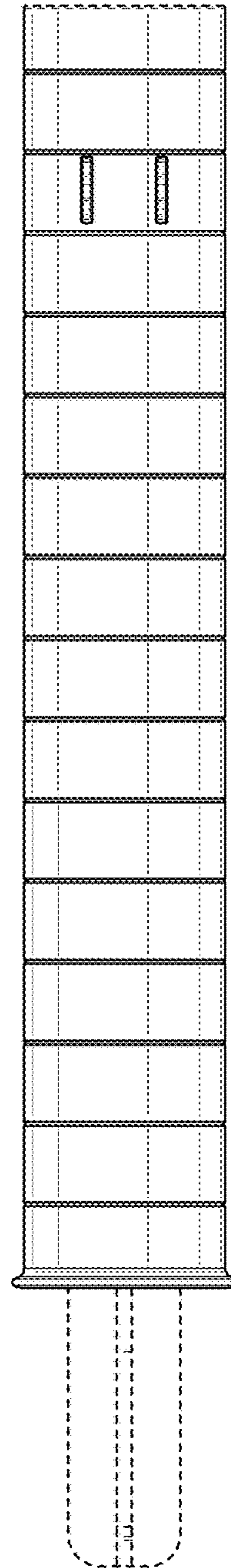


FIG. 73

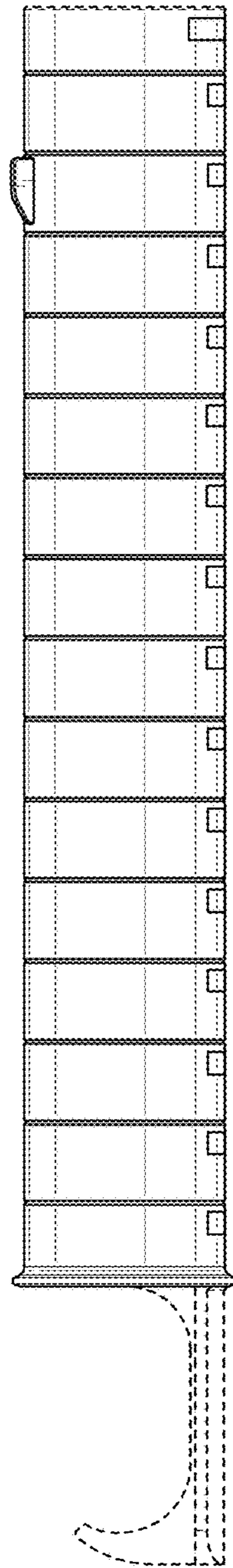


FIG. 74

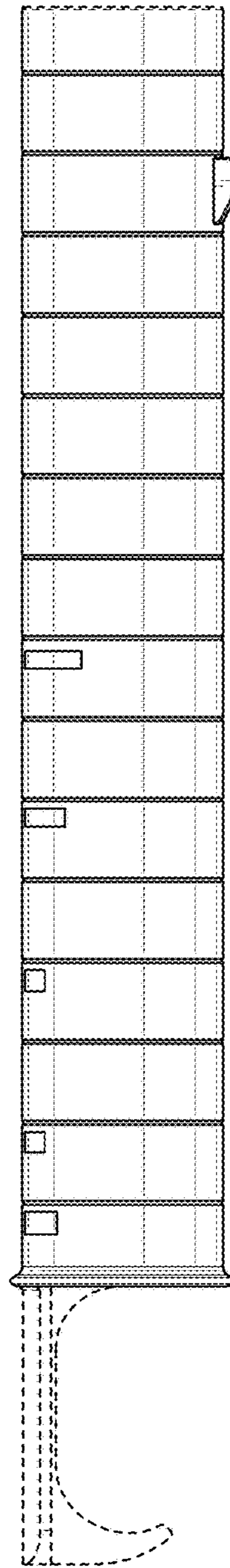


FIG. 75

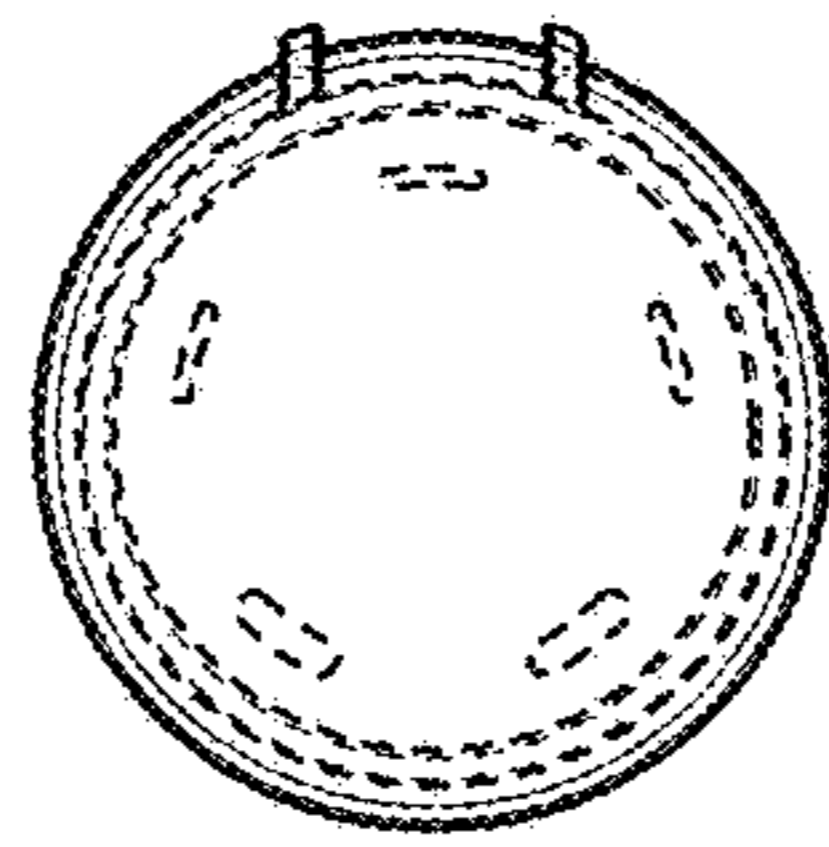


FIG. 76

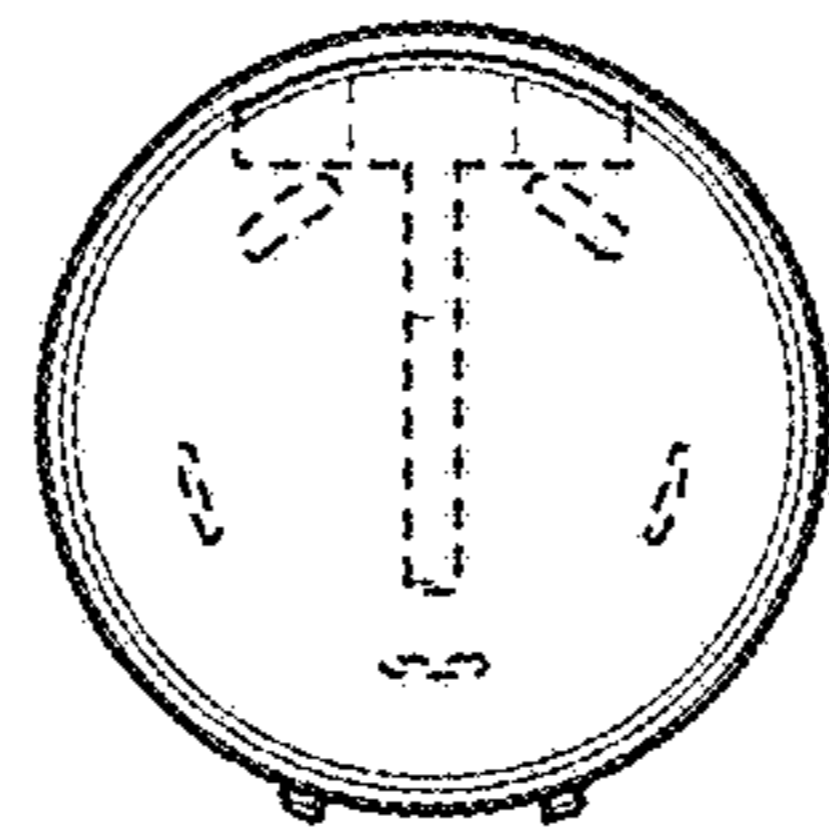


FIG. 77

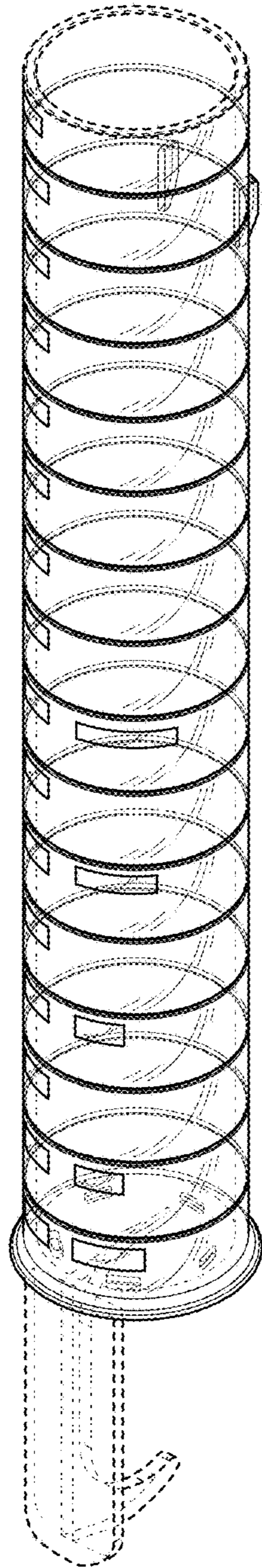


FIG. 78

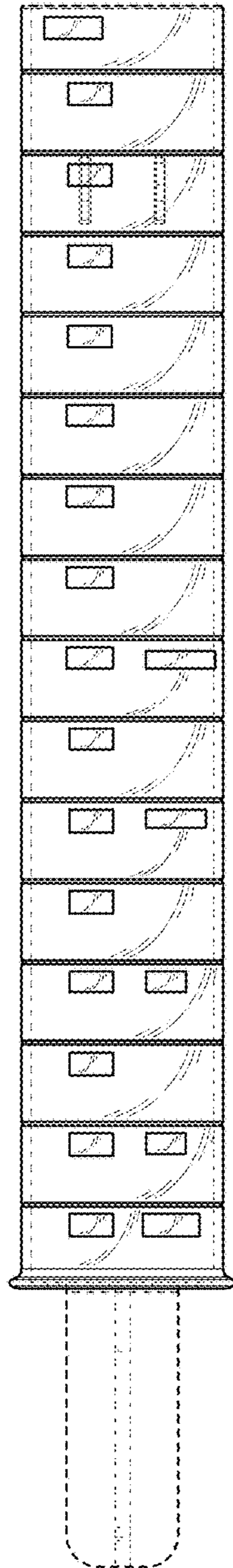


FIG. 79

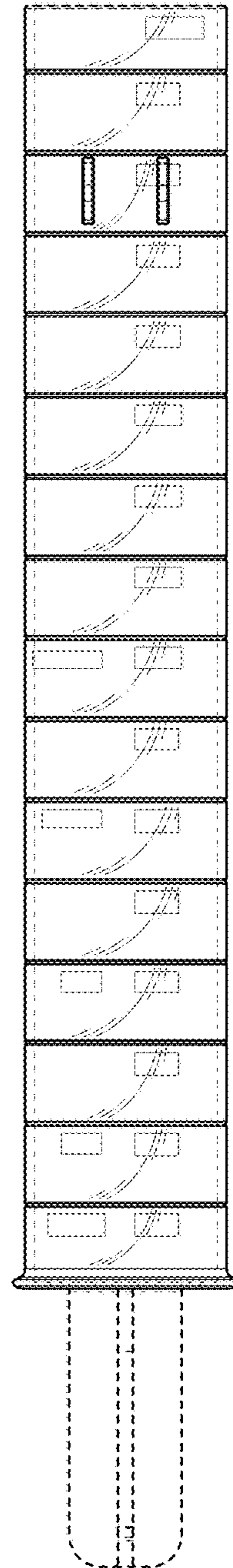


FIG. 80

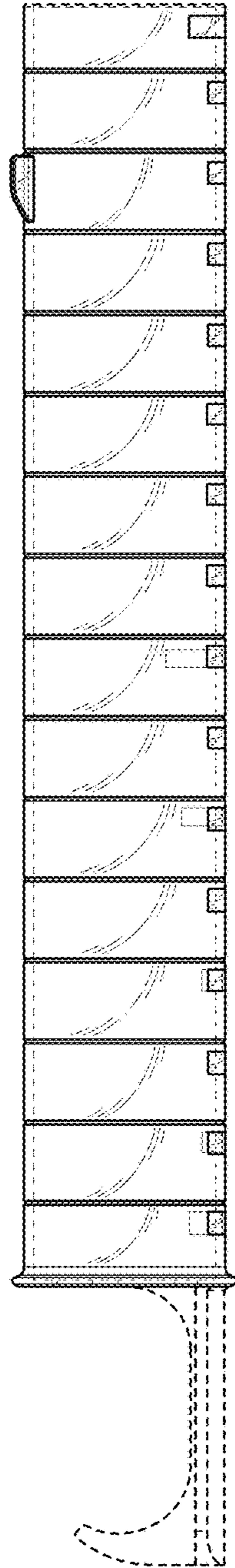


FIG. 81

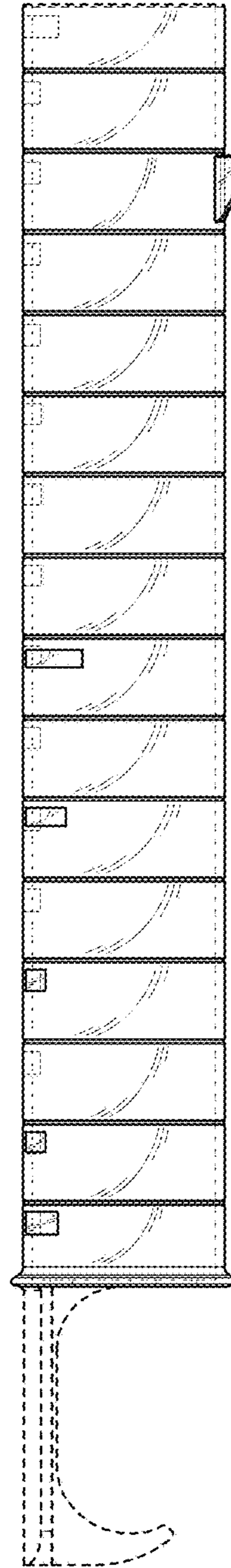


FIG. 82

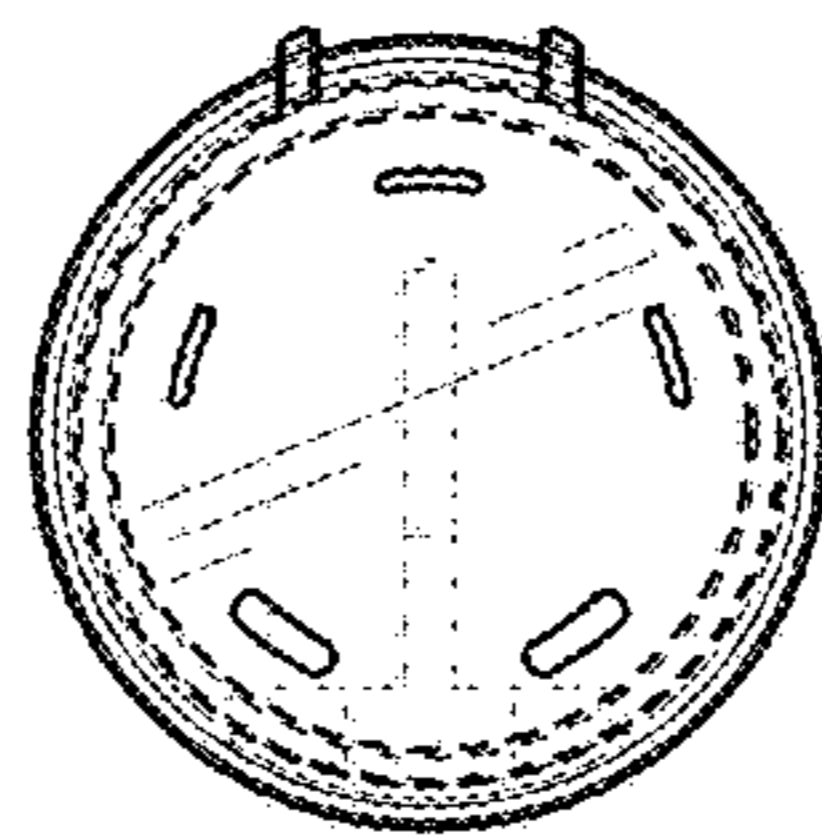


FIG. 83

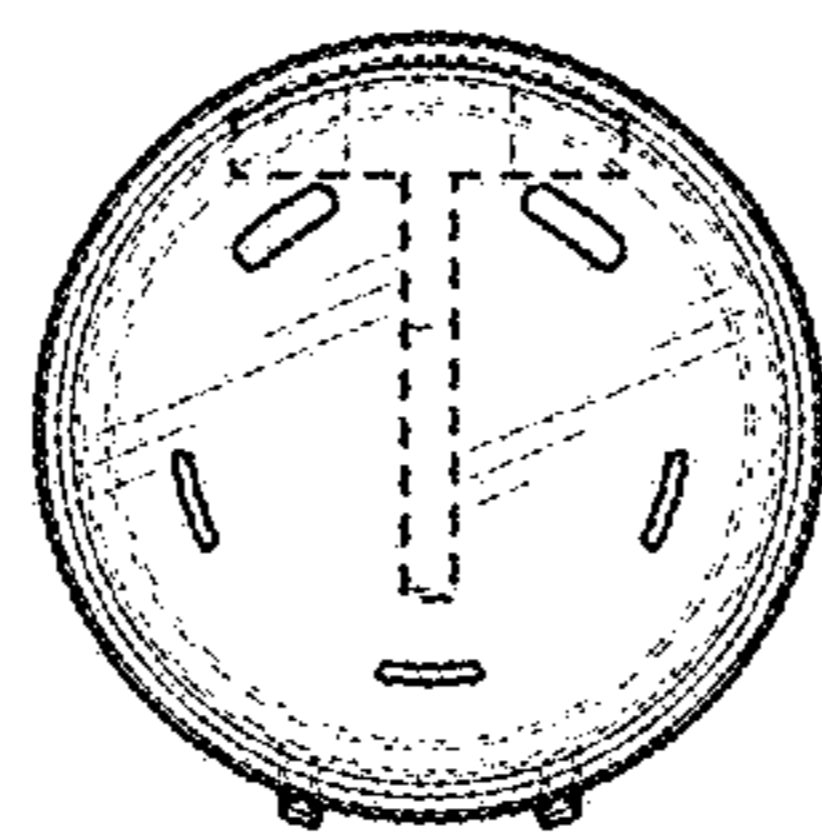


FIG. 84