

US00D844459S

(12) **United States Design Patent**
Maguire

(10) **Patent No.:** **US D844,459 S**
(45) **Date of Patent:** **** Apr. 2, 2019**

(54) **PORTION CONTROL DEVICE FOR PETS**
(71) Applicant: **Aaron John Maguire**, Sioux Falls, SD
(US)
(72) Inventor: **Aaron John Maguire**, Sioux Falls, SD
(US)
(**) Term: **15 Years**
(21) Appl. No.: **29/540,579**

D357,588 S 4/1995 Fachinger
D360,304 S 7/1995 Fachinger
D378,869 S 4/1997 Mikell
D387,957 S 12/1997 Keller
D391,363 S 2/1998 Rohrig
D394,229 S 5/1998 Curry
D397,740 S 9/1998 Georgevich
D404,263 S 1/1999 Allison
D405,565 S 2/1999 Price
D412,448 S * 8/1999 Bentson D10/46.2
D414,087 S 9/1999 Allison
D427,743 S 7/2000 Macias
D428,676 S * 7/2000 Renforth D30/162

(Continued)

(22) Filed: **Sep. 25, 2015**
(51) **LOC (11) Cl.** **10-04**
(52) **U.S. Cl.**
USPC **D10/46.2**
(58) **Field of Classification Search**
USPC D10/46.2, 46.3; D7/691, 397, 398, 700,
D7/507, 512; D32/35; D8/10; D24/116;
D30/121, 129, 130, 199
CPC G01F 19/00; G01F 19/002; A47J 2203/00;
A61J 7/0023; A61J 7/0046
See application file for complete search history.

Primary Examiner — Brett Miller
(74) *Attorney, Agent, or Firm* — Jeffrey A. Proehl;
Woods, Fuller, Shultz & Smith, PC

(57) **CLAIM**

The ornamental design for a portion control device for pets, as shown and described.

DESCRIPTION

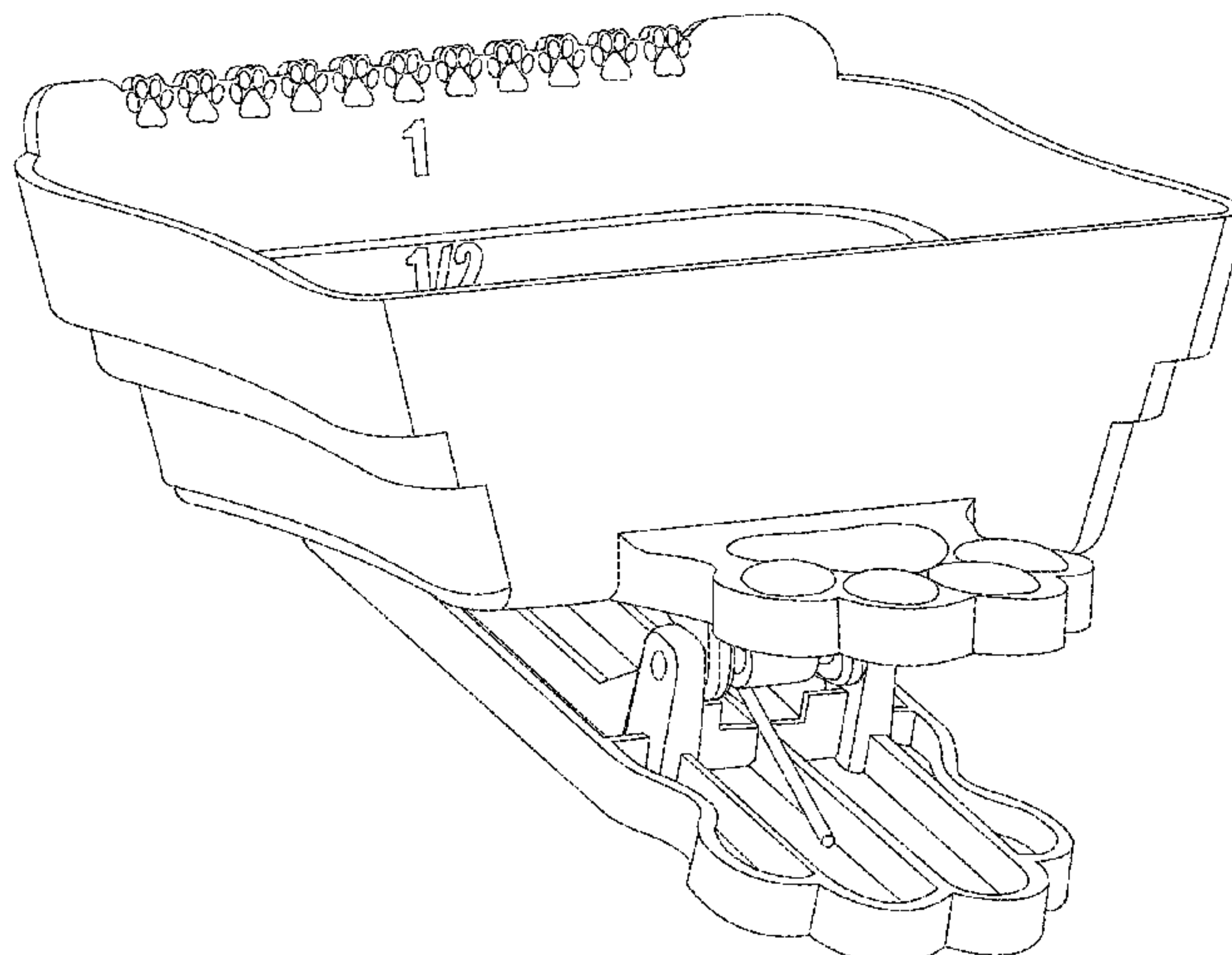
FIG. 1 is a perspective view of the portion control device for pets of the present disclosure;
FIG. 2 is a top plan view of the portion control device for pets;
FIG. 3 is a bottom plan view of the portion control device for pets;
FIG. 4 is a front elevational view of the portion control device for pets;
FIG. 5 is a rear elevational view of the portion control device for pets;
FIG. 6 is a left side elevational view of the portion control device for pets; and,
FIG. 7 is a right side elevational view of the portion control device for pets.
The broken lines depict portions of the device that form no part of the claim.

(56) **References Cited**

U.S. PATENT DOCUMENTS

423,018 A * 3/1890 Young G01F 19/00
33/522
D67,712 S 6/1925 Melville
D207,442 S 4/1967 Facci
3,490,290 A * 1/1970 Bilson G01F 19/00
141/345
D244,948 S 7/1977 Foley
D256,311 S 8/1980 Daenen
D257,551 S * 11/1980 Nadle D10/46.2
D275,063 S 8/1984 Greene
D304,537 S 11/1989 McCarroll
D321,114 S 10/1991 Fredrickson
D333,596 S 3/1993 Husted
D336,446 S 6/1993 Browning
D339,722 S 9/1993 Ancona
D347,658 S 6/1994 Scapillato

1 Claim, 7 Drawing Sheets



(56)

References Cited

U.S. PATENT DOCUMENTS

D429,040 S	8/2000	Schmittgens	D613,465 S	4/2010	Chapman
D435,160 S	12/2000	Macias	D613,914 S	4/2010	Askinasi
D440,736 S	4/2001	Cookie	D614,074 S	4/2010	Castaline
D447,074 S	8/2001	Chan	D614,818 S	4/2010	Moore
D449,137 S	10/2001	Newman	D617,060 S	6/2010	Akrey
6,341,578 B1	1/2002	Berube	D622,028 S	8/2010	Kerr
D454,234 S	3/2002	Weterrings	D625,885 S	10/2010	Bianchi
D457,699 S	5/2002	Raimonde	D631,757 S	2/2011	Kerr
D457,705 S	5/2002	Haslet	D632,455 S	2/2011	School
D457,989 S	5/2002	O'Rourke	D636,134 S	4/2011	Spurgeon
6,460,191 B1	10/2002	Lorkovic	D636,545 S	4/2011	Lawson
D466,662 S	12/2002	Lorkovic	D636,950 S	4/2011	Lawson
D467,393 S	12/2002	Warden	D640,564 S	6/2011	Kerr
D473,769 S	4/2003	Kelleghan	D641,248 S	7/2011	Steger
D475,504 S	6/2003	Hodgdon	D642,336 S	7/2011	Desrosiers
D476,767 S	7/2003	Warden	D650,147 S	12/2011	Kerr
D484,425 S	12/2003	Settele	D651,095 S	12/2011	Kerr
D497,691 S	10/2004	Hardt	D654,245 S	2/2012	School
D504,223 S	4/2005	Tamburri	D656,280 S	3/2012	St. Clair
D506,112 S	6/2005	Roberson	D661,456 S	6/2012	Couttenye
D506,585 S	6/2005	Muller	D663,081 S	7/2012	Chance
D507,119 S	7/2005	Reeves, Jr.	D664,003 S *	7/2012	Nagoya D7/512
D520,677 S	5/2006	Xu	D665,000 S	8/2012	Morelli
D531,364 S	10/2006	Crane	D665,133 S	8/2012	Haverstock
D531,918 S	11/2006	Heiligenstein	D665,264 S	8/2012	Kerr
D532,979 S	12/2006	Viola	D666,835 S	9/2012	Grainger
D533,975 S	12/2006	Kelly	D667,034 S	9/2012	Wirth, Jr.
D534,695 S	1/2007	Van Skiver	8,336,868 B2	12/2012	Wirth, Jr.
D540,007 S	4/2007	Edwards	D676,202 S	2/2013	Hansen
D549,529 S	8/2007	Risch	D676,619 S	2/2013	Hansen
D550,036 S *	9/2007	Holcomb D7/512	D678,632 S	3/2013	Chance
D550,407 S	9/2007	Spiwak	D682,442 S	5/2013	Nguyen
D550,551 S	9/2007	Howard	D684,336 S	6/2013	Couttenye
D553,305 S	10/2007	Willinger	D684,733 S	6/2013	Altoon
D558,933 S	1/2008	Hood	D685,565 S	7/2013	Bhandula
D560,862 S	1/2008	Knuth	D686,783 S	7/2013	Pluss
D561,411 S	2/2008	Pipenur	D687,616 S	8/2013	Smith
D562,159 S *	2/2008	Griffith D10/46.2	D688,424 S	8/2013	Stanley
D571,929 S	6/2008	Palmer, III	D689,328 S	9/2013	Hollinger
D572,141 S	7/2008	Slabaugh	D693,862 S	11/2013	Wirth, Jr.
D581,830 S	12/2008	Slabaugh	D701,004 S	3/2014	Maguire
D582,798 S	12/2008	Mantilla	D701,424 S *	3/2014	Shamoon D10/46.2
D585,727 S	2/2009	Kelleghan	2005/0066464 A1	3/2005	McKay
D589,660 S	3/2009	Tolentino-Swem	2005/0127073 A1 *	6/2005	Kusuma B65D 21/086 220/6
D591,162 S	4/2009	Slabaugh	2006/0010913 A1	1/2006	Torres
D591,478 S	5/2009	Slusarczyk	2007/0034166 A1	2/2007	Brooks
D591,914 S	5/2009	Witham	2008/0216753 A1	9/2008	Wang
D598,251 S *	8/2009	Ikoma D10/46.2	2009/0229360 A1 *	9/2009	Harvey G01F 19/00 73/427
D602,656 S	10/2009	Fuhrer	2011/0169183 A1	7/2011	Axelrod
D603,112 S	10/2009	Pergolski	2012/0068396 A1	3/2012	Wirth, Jr.
D606,710 S	12/2009	Spater			

* cited by examiner

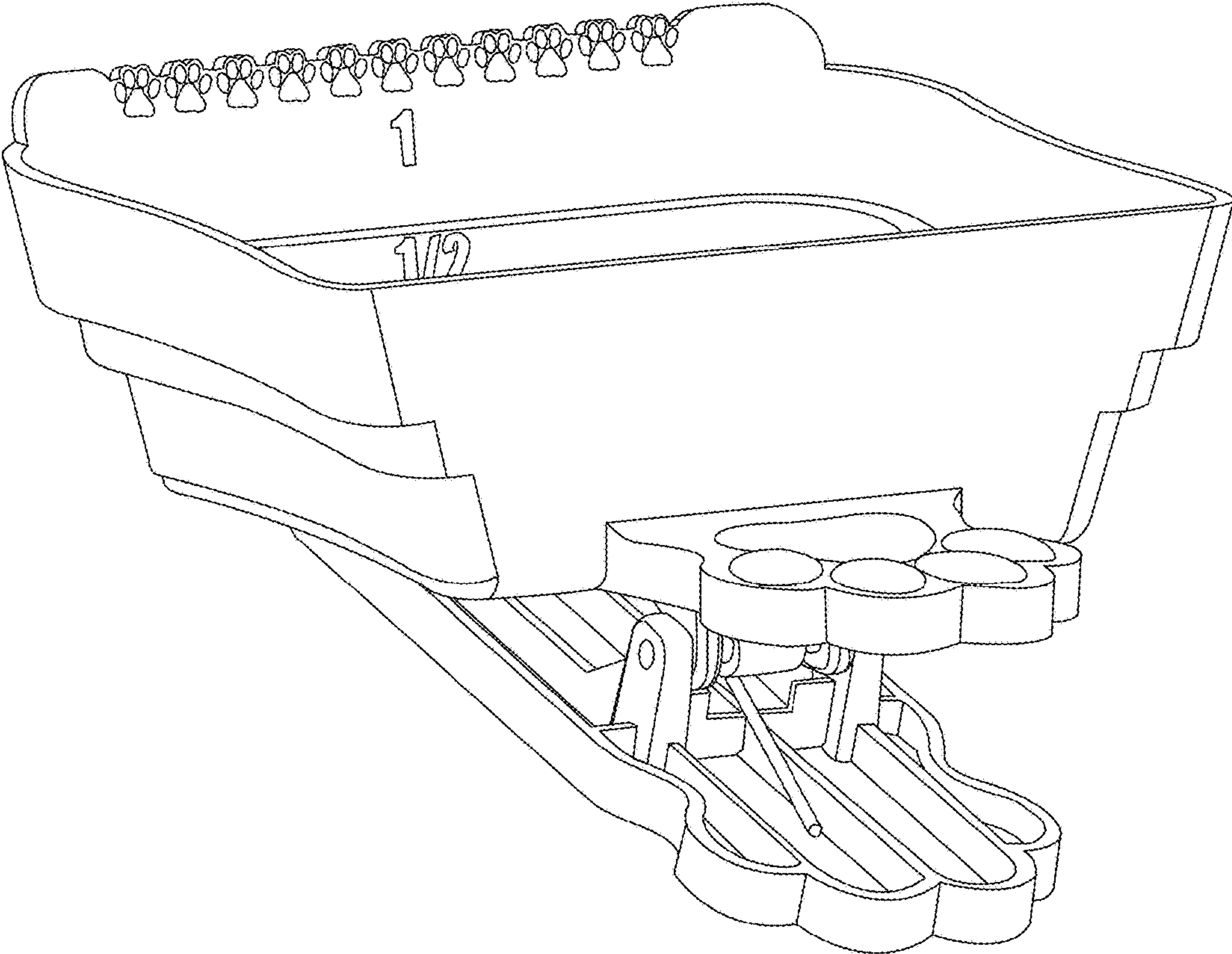


Fig. 1

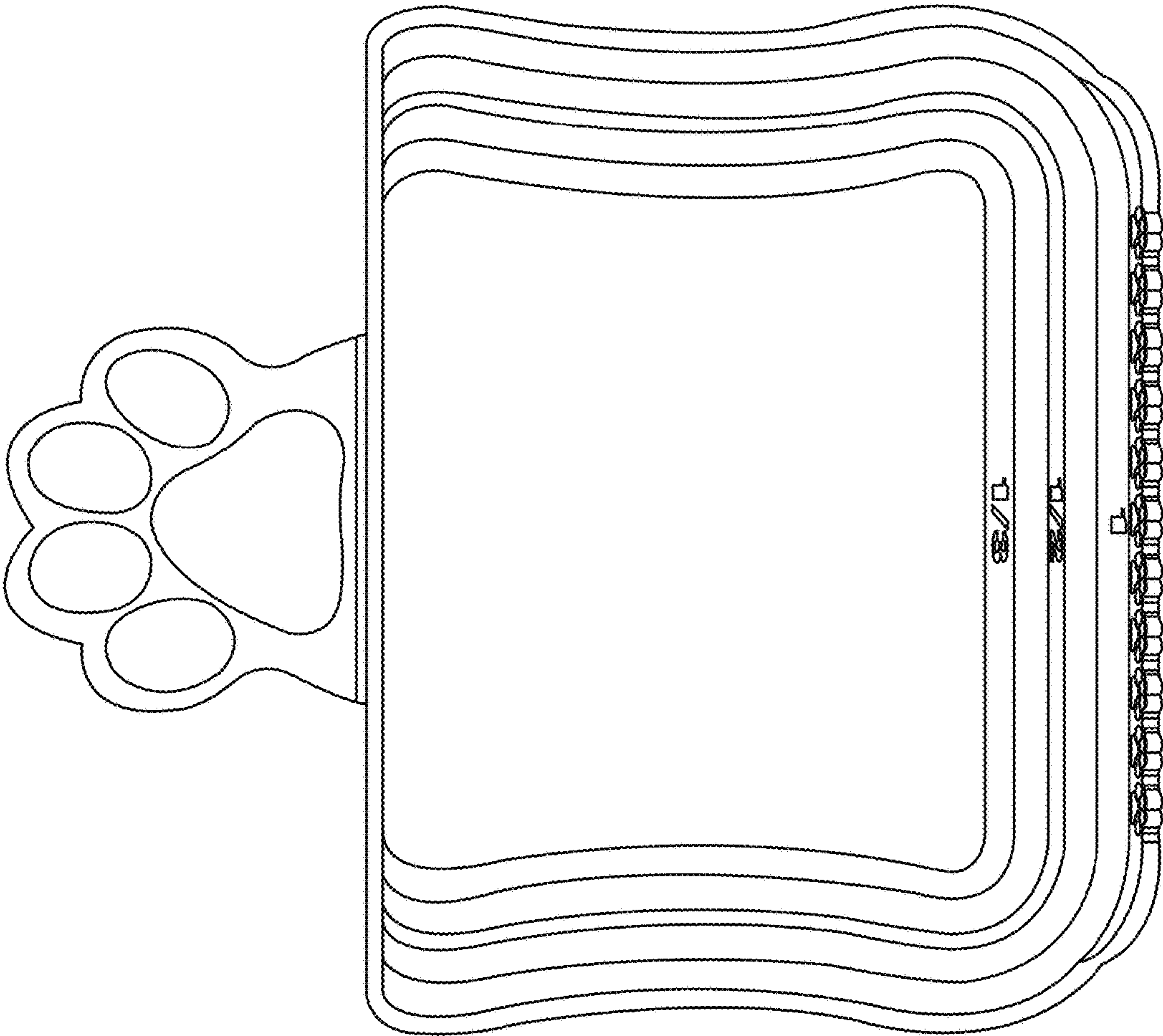


Fig. 2

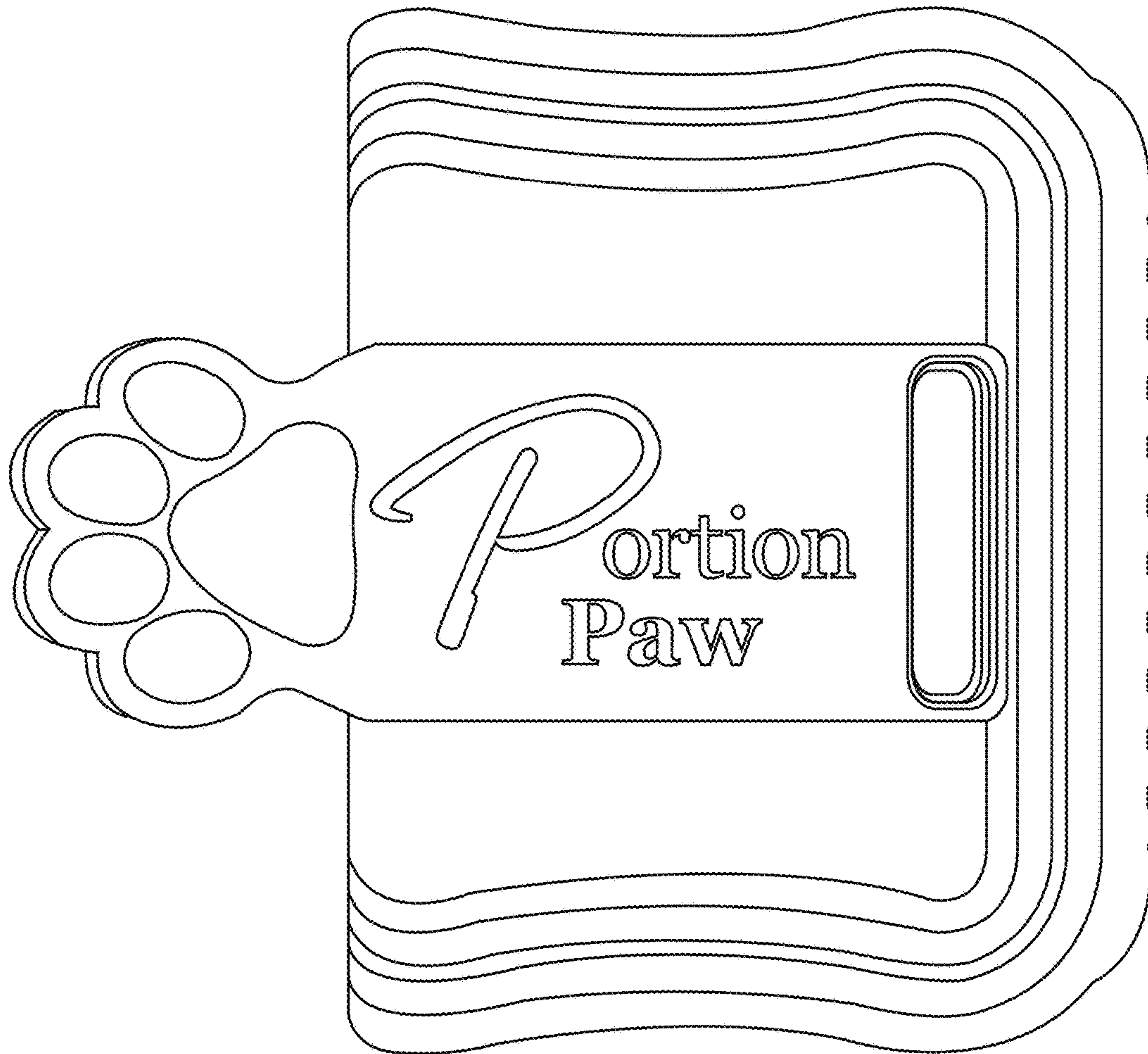


Fig. 3

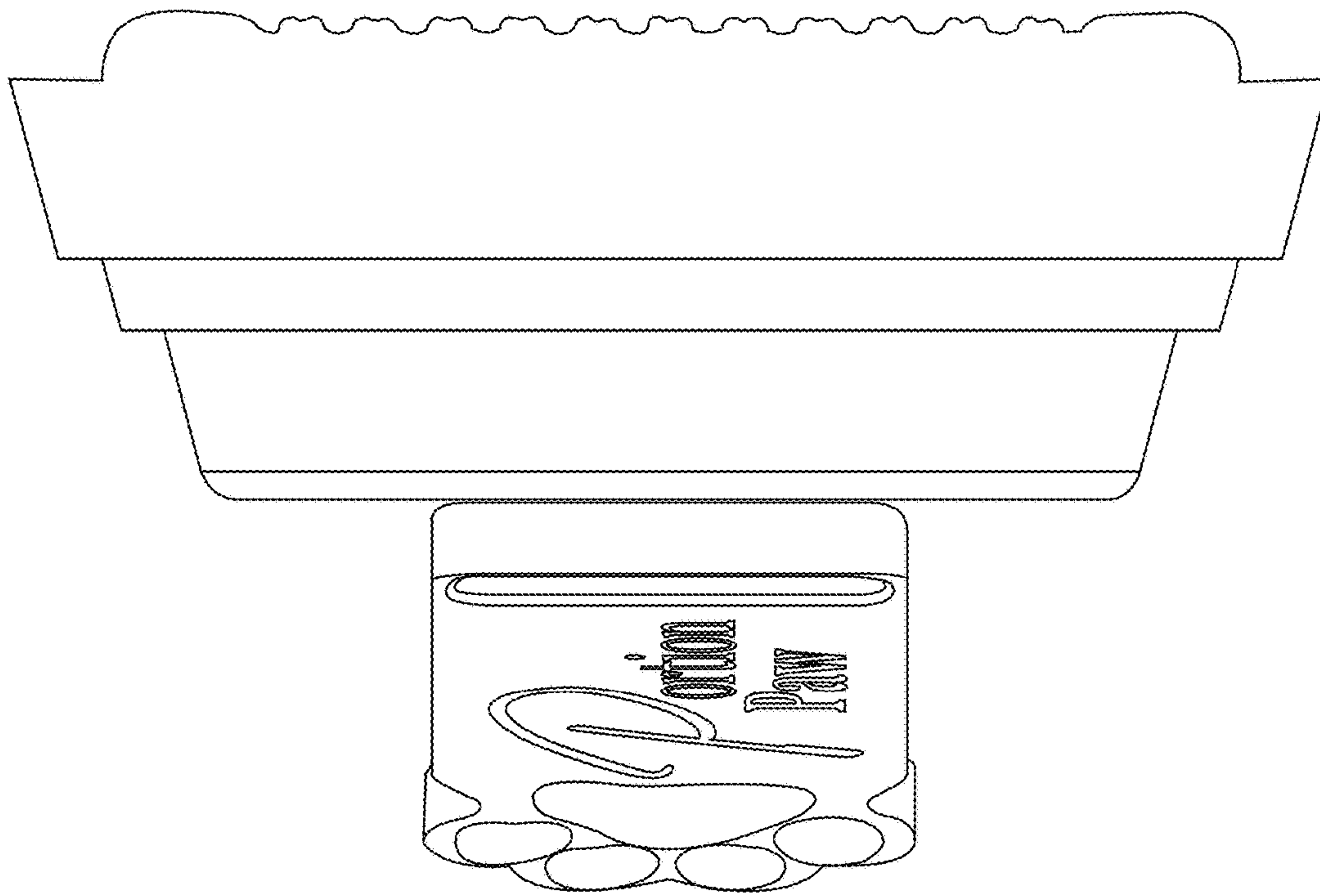


Fig. 4

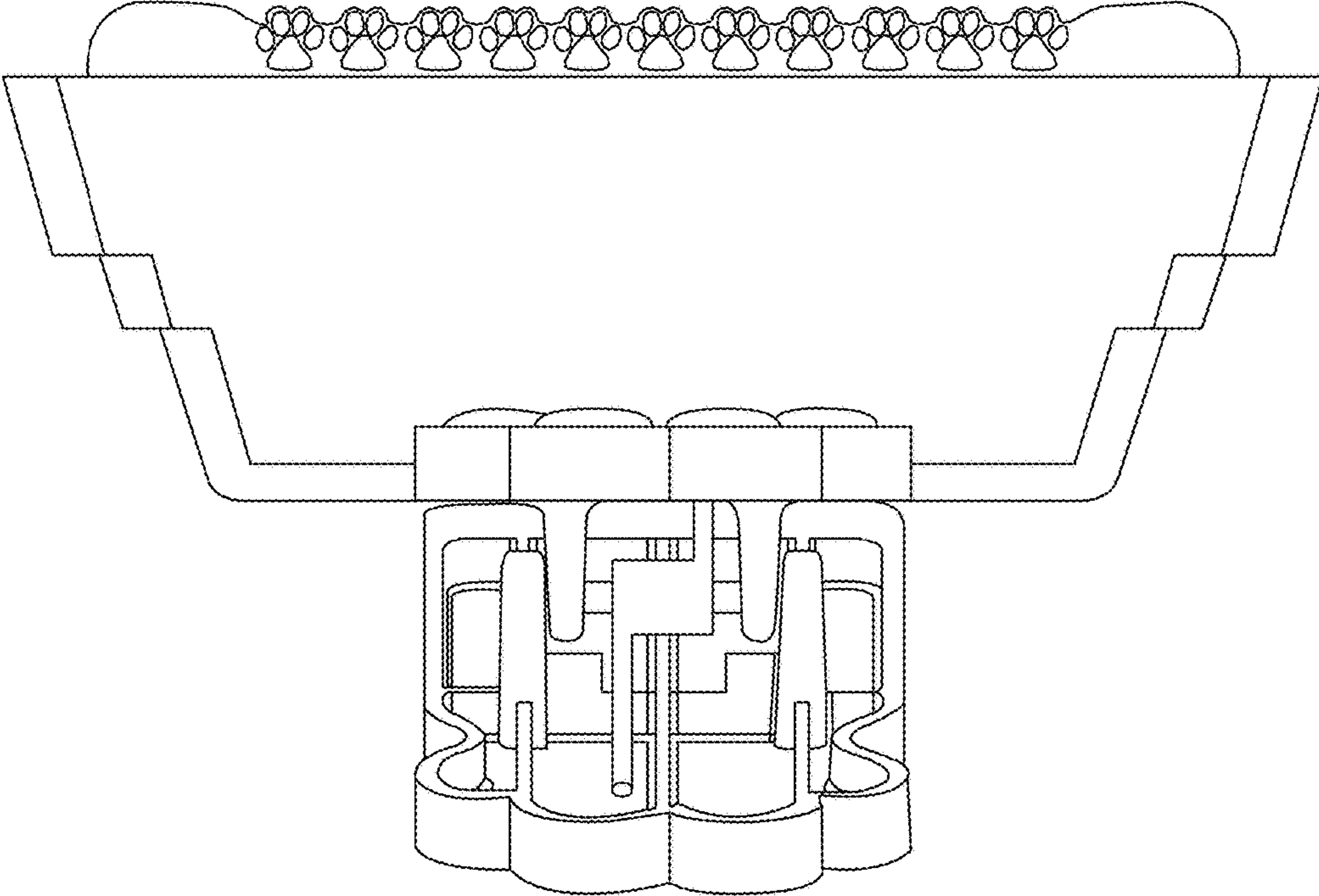


Fig. 5

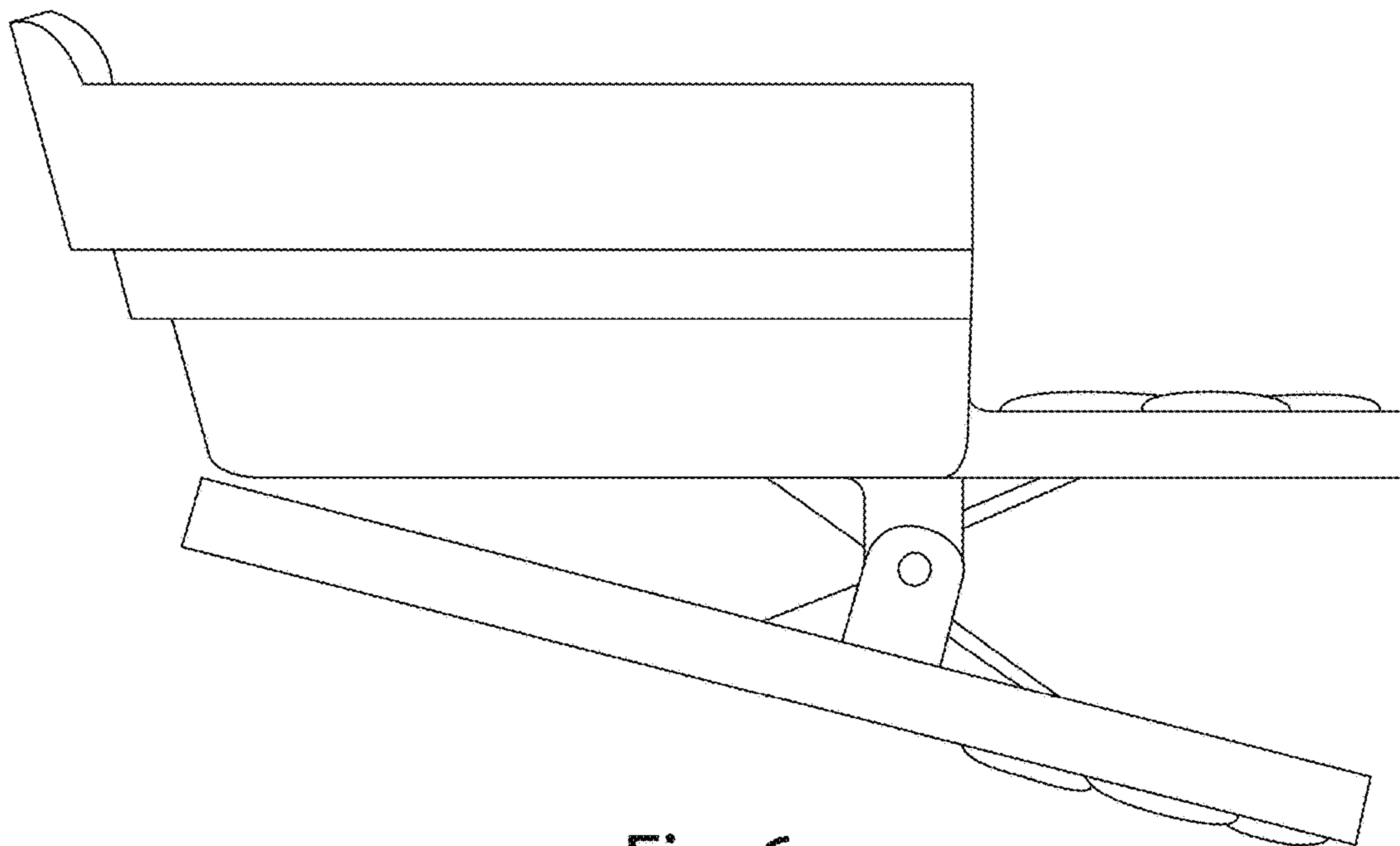


Fig. 6

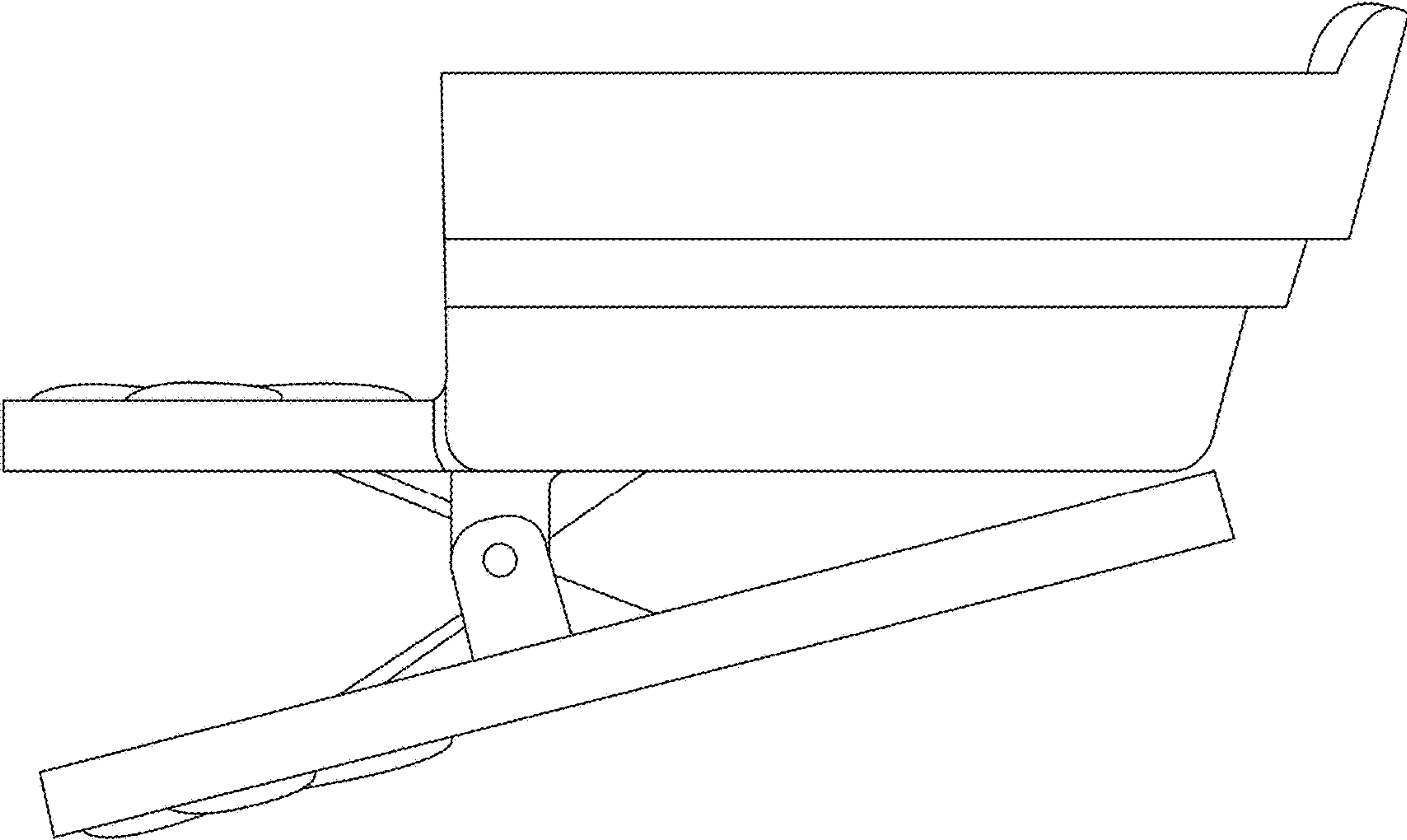


Fig. 7