



US00D844458S

(12) **United States Design Patent** (10) **Patent No.:** **US D844,458 S**
Lillquist et al. (45) **Date of Patent:** **** Apr. 2, 2019**

(54) **WATCH WITH DISPLAY**
(71) Applicant: **Garmin Switzerland GmbH**,
Schaffhausen (CH)
(72) Inventors: **Robert S. Lillquist**, Lenexa, KS (US);
Wei-Hao Lian, New Taipei (TW);
Jin-Ming Chen, New Taipei (TW)
(73) Assignee: **Garmin Switzerland GmbH** (CH)
(**) Term: **15 Years**
(21) Appl. No.: **29/609,882**
(22) Filed: **Jul. 6, 2017**
(51) **LOC (11) Cl.** **10-02**
(52) **U.S. Cl.**
USPC **D10/30**
(58) **Field of Classification Search**
USPC D10/1-2, 10, 30-33, 36-39, 98-99,
D10/122-124, 126-128, 132; D11/3;
D14/344; D24/167, 186
CPC G04B 19/00; G04B 19/04; G04B 19/06;
G04B 19/065; G04B 19/08; G04B
19/085; G04B 19/10; G04B 19/103;
G04B 19/106; G04B 47/042; G04B
47/048; G04B 19/12; G04B 19/18; G04B
19/223; G04B 19/22; G04B 19/283;
G04B 37/00; G04B 37/0008; G04B
37/0058; G04B 37/04; G04B 37/0418;
G04B 45/0061; G04B 45/0069; G04B
19/26; G04B 19/264; G04D 3/04; A44C
5/00; A44C 5/0053; G04C 19/00; G04C
19/02; G04C 3/001; G04F 1/00; G04F
3/00; G04F 3/02; G04G 17/00; G04G
17/005; G04G 17/02-17/04; G04G 17/08
See application file for complete search history.

(56) **References Cited**
U.S. PATENT DOCUMENTS
D508,416 S * 8/2005 Tang D10/30
D508,859 S * 8/2005 Ho D10/30
D521,394 S * 5/2006 Tang D10/30
D559,126 S * 1/2008 Avranches D10/38
(Continued)

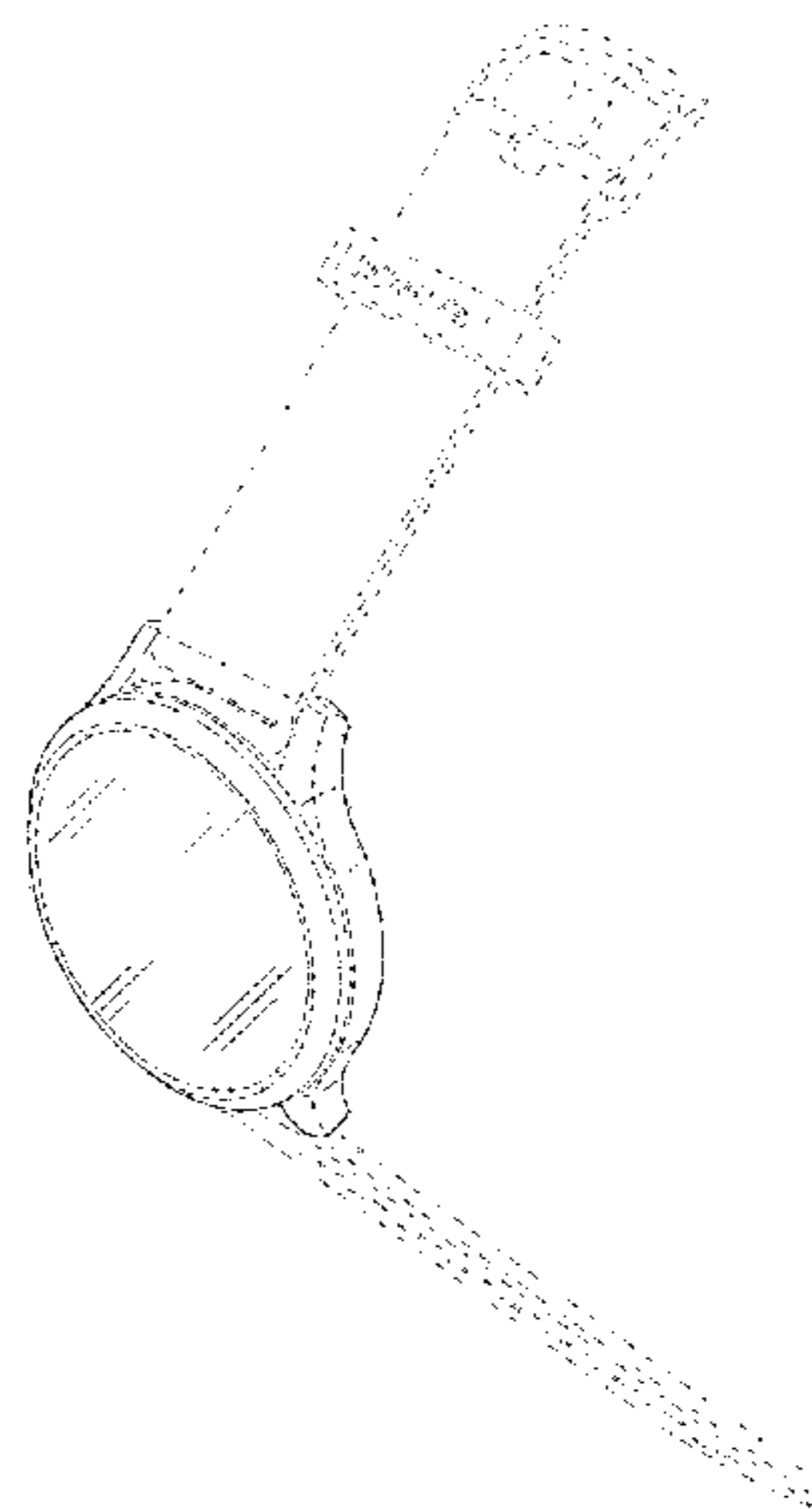
OTHER PUBLICATIONS
Moto 360 l posted at endgadget.com Oct. 2015 © 2018 Oath Tech
Network Aol Tech [online][site visited Oct. 11, 2018]. Available
from internet: <<https://www.engadget.com/2015/10/09/moto-360-review-2015/#/>> (Year: 2015).*
(Continued)

Primary Examiner — Sandra S Snapp
Assistant Examiner — Katherine Glennon
(74) *Attorney, Agent, or Firm* — Samuel M. Korte; Max
M. Ali

(57) **CLAIM**
The ornamental design for a watch with display, as shown
and described.

DESCRIPTION
FIG. 1 is a front perspective view of a watch with display
according to the present invention;
FIG. 2 is a rear perspective view of the watch with display;
FIG. 3 is a top view of the watch with display;
FIG. 4 is a front view of the watch with display;
FIG. 5 is a bottom view of the watch with display;
FIG. 6 is a rear view of the watch with display;
FIG. 7 is a left side view of the watch with display; and,
FIG. 8 is a right side view of the watch with display.
The broken lines shown in the drawings represent portions
of the watch that form no part of the claimed design.

1 Claim, 4 Drawing Sheets



(56)

References Cited

U.S. PATENT DOCUMENTS

D568,175	S	*	5/2008	Martinez	D10/32
D590,727	S	*	4/2009	Wei	D10/38
D608,223	S	*	1/2010	Salanitro	D10/38
D624,443	S	*	9/2010	Cerrato	D10/38
D652,325	S	*	1/2012	Ahlstrom	D10/31
D678,081	S	*	3/2013	Cabiddu	D10/38
D682,712	S	*	5/2013	Lammers-Meis	D10/38
D708,527	S	*	7/2014	Boffi	D10/31
D718,152	S	*	11/2014	Gueit	D10/32
D739,268	S	*	9/2015	Lammers-Meis	D10/30
D740,136	S	*	10/2015	Henne	D10/30
D749,431	S	*	2/2016	Babcock	D10/30
9,304,205	B2	*	4/2016	Heikes	G01C 22/006
D756,240	S	*	5/2016	Register	D10/30
D756,805	S	*	5/2016	Delhotal	D10/30
D758,889	S	*	6/2016	Cerrato	D10/30
D767,566	S	*	9/2016	Morgenroth	D14/344
D778,737	S	*	2/2017	Jacobs	D10/38
D779,342	S	*	2/2017	Lintz	D10/30
D789,542	S	*	6/2017	Lillquist	D24/167
D805,406	S	*	12/2017	Register	D10/30
D806,581	S	*	1/2018	Register	D10/30
D806,582	S	*	1/2018	Register	D10/30
D809,512	S	*	2/2018	Mistry	D14/344
D809,938	S	*	2/2018	Hou	D10/30
D815,090	S	*	4/2018	Chan	D14/344

OTHER PUBLICATIONS

Garmin Vivomove HR Preview | pocket-lint.com Sep. 2017 © Pocket-lint Limited [online][site visited Oct. 11, 2018]. Available from internet: <<https://www.pocket-lint.com/fitness-trackers/reviews/garmin/142155-garmin-vivomove-hr-preview-hybrid-smartwatch-with-hidden-touchscreen-and-heart-rate-monitoring>> (Year: 2017).*

Top Hybrid Watches for 2018 | posted at gadgetsandwearables.com May 2018 © Gadgets & Wearables 2015-2018 [online][site visited Oct. 11, 2018]. Available from internet: <<https://gadgetsandwearables.com/2018/05/09/hybrid-smartwatch/#withings> (Year: 2018).*

Printout from <http://www.timex.com/metro>, published prior to Feb. 17, 2016.

Printout from <http://www.timex.com/weekender>, published prior to Feb. 17, 2016.

Printout from <http://www2.withings.com/us/en/products/active/>, published prior to May 21, 2015.

Printout from https://www.fossil.com/us/en/connected_accessories/g-grant-chronograph-dark-brown-leather-smartwatch-sku-ftw10001p.html, published prior to Feb. 17, 2016.

Printout from <https://www.martianwatches.com/product/alphat10/>, published prior to Feb. 17, 2016.

Printout from <https://www.withings.com/us/en/products/active-pop>, published prior to Feb. 17, 2016.

Printout from <http://media-cdn.withings.com/press/press-release/steel-hr/SteelHRPressReleaseUS.pdf>, published prior to Jul. 6, 2017.

* cited by examiner

Fig. 1

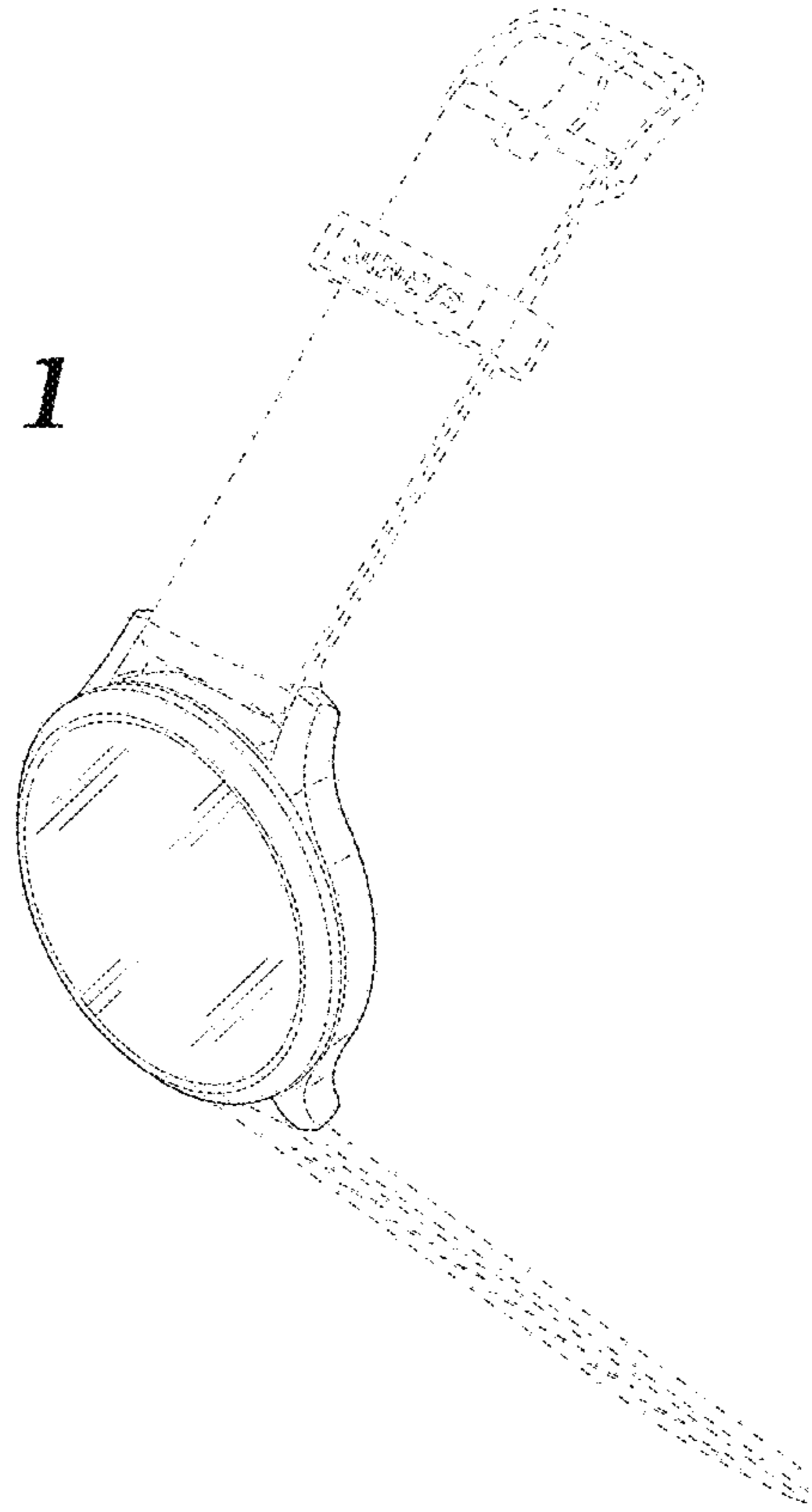
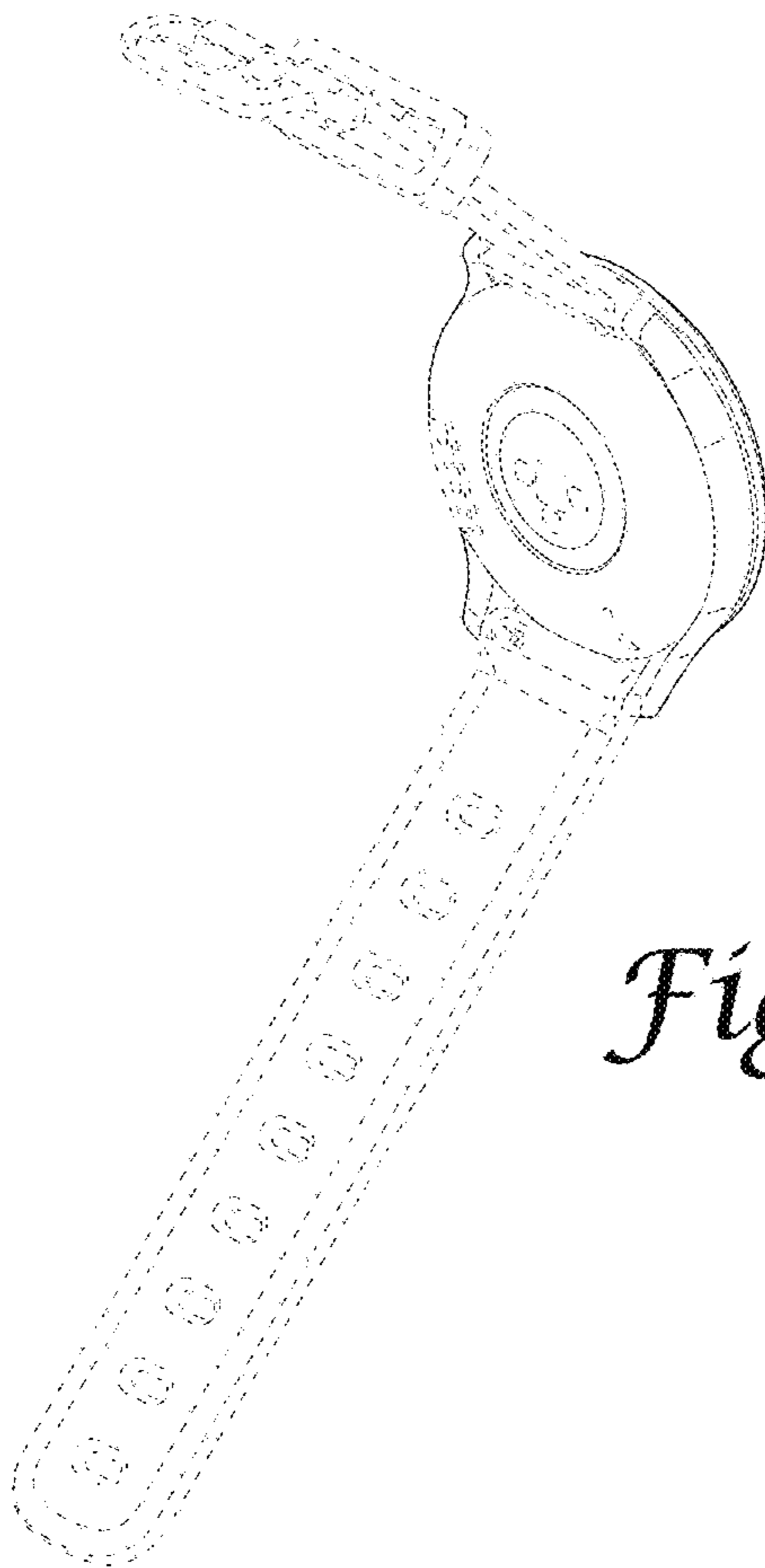


Fig. 2



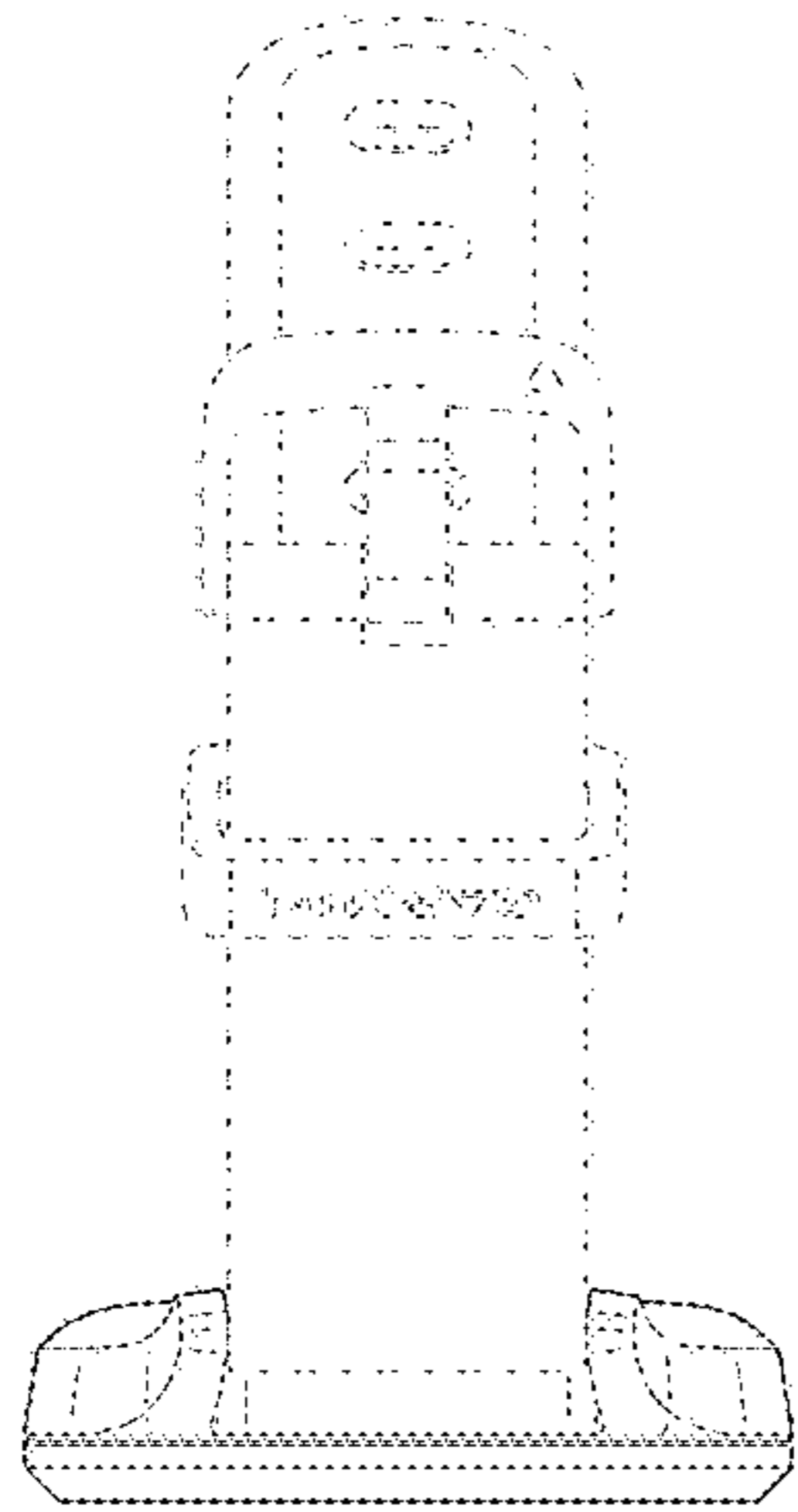


Fig. 3

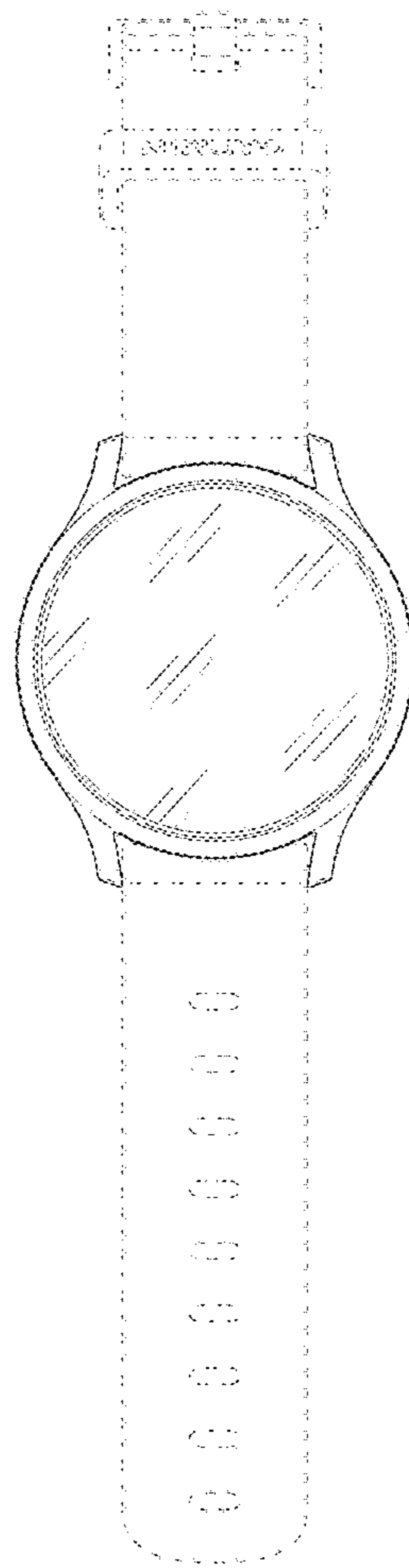


Fig. 4

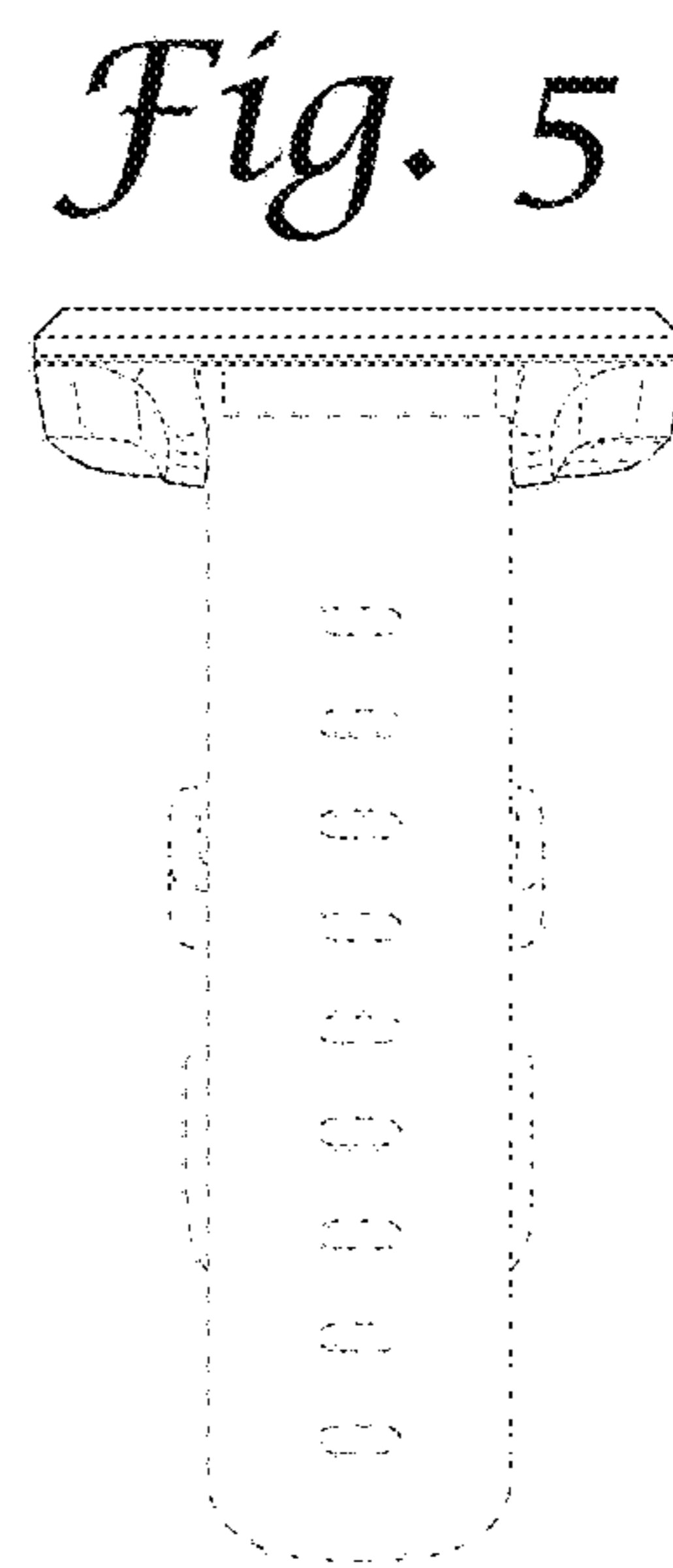


Fig. 5

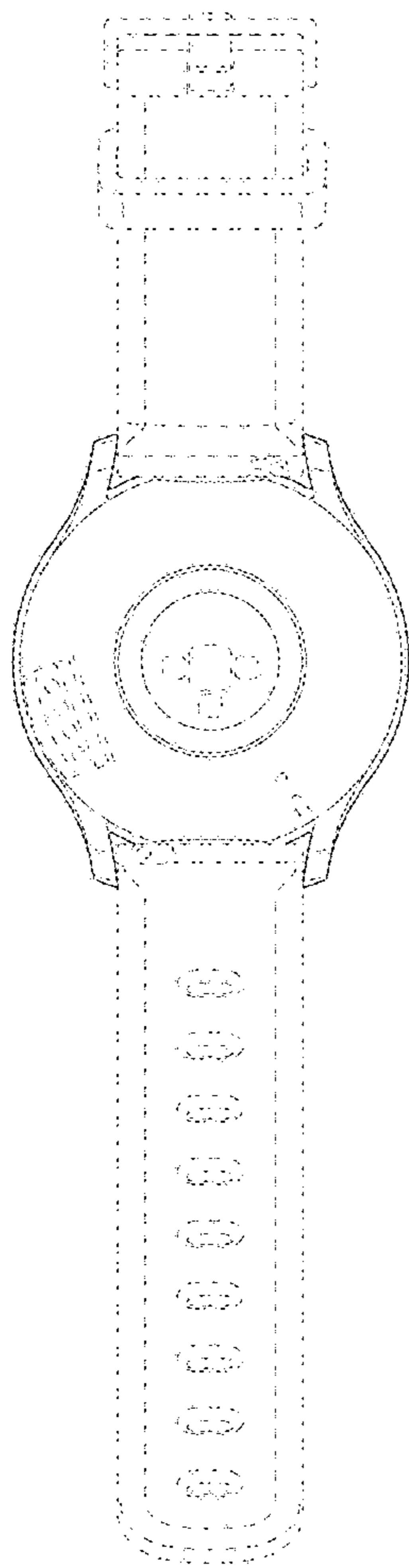


Fig. 6

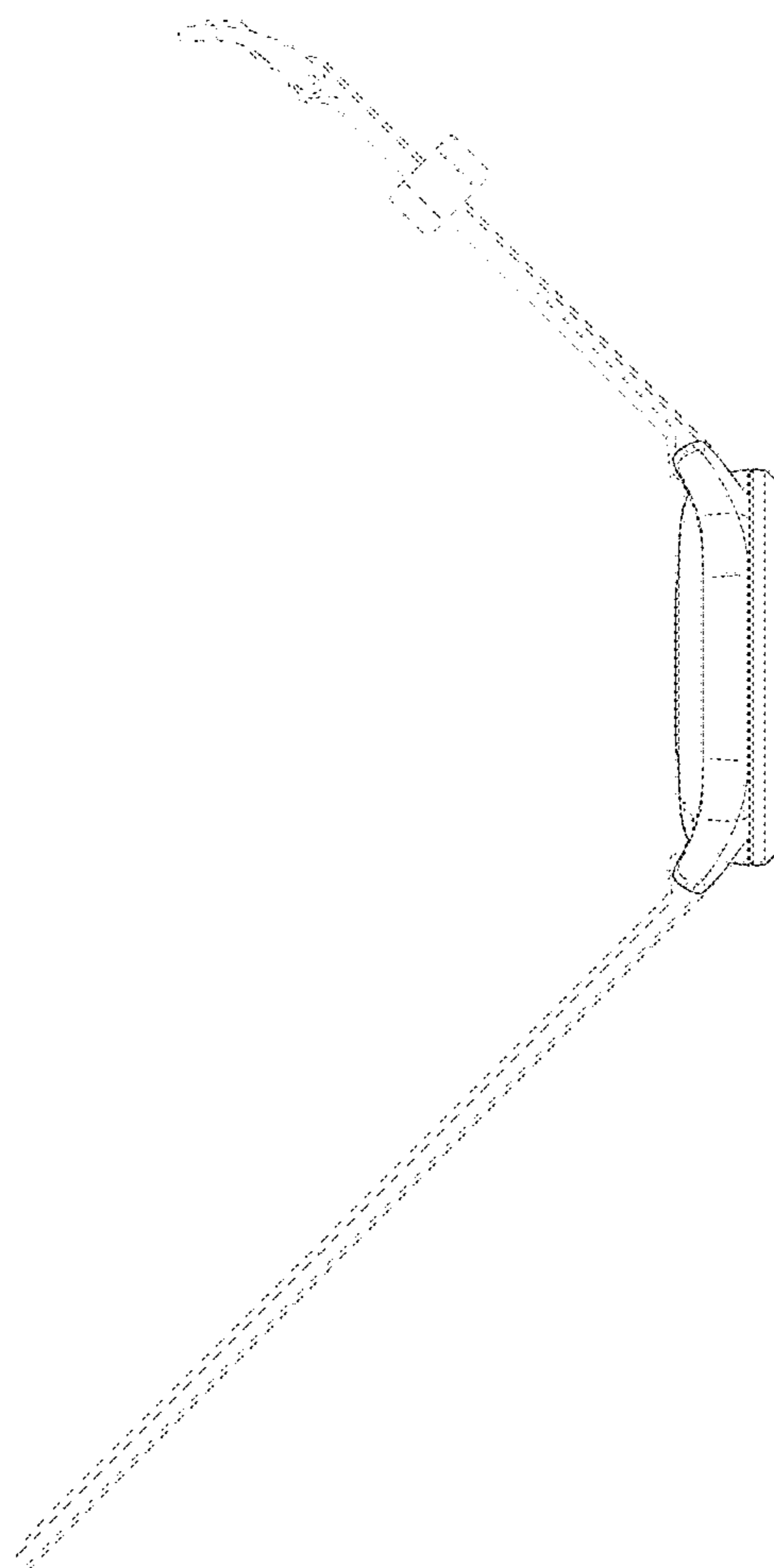


Fig. 7

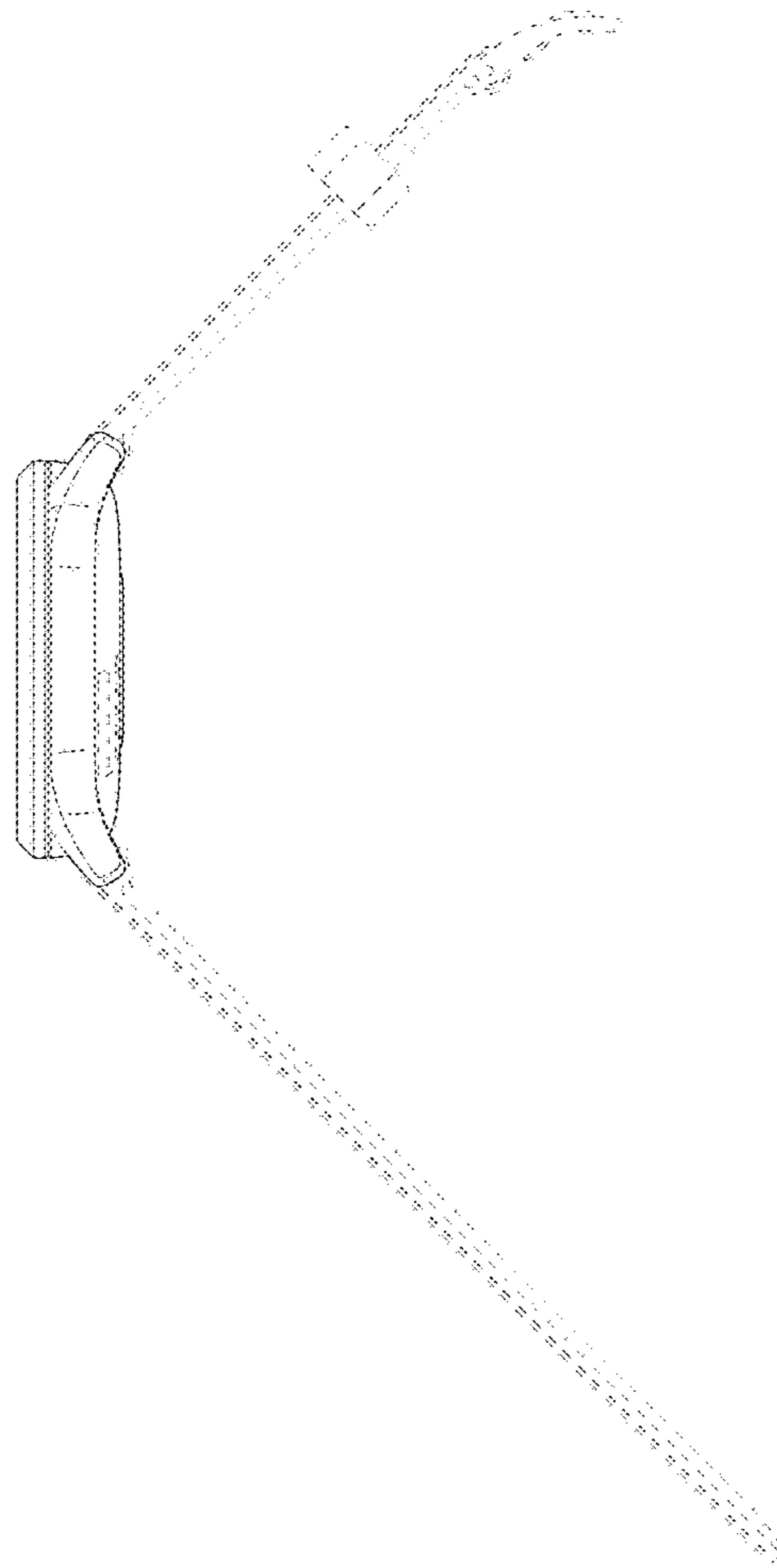


Fig. 8