



US00D844457S

(12) **United States Design Patent**  
**Zhong**

(10) **Patent No.:** **US D844,457 S**

(45) **Date of Patent:** **\*\* Apr. 2, 2019**

(54) **CLOCK**

(71) Applicants: **HUIZHOU DESAY INDUSTRIAL RESEARCH INSTITUTE CO., LTD**,  
Guangdong (CN); **MPOW TECHNOLOGY CO., LIMITED**,  
Hong Kong (HK)

(72) Inventor: **Yixiu Zhong**, Guangdong (CN)

(73) Assignees: **HUIZHOU DESAY INDUSTRIAL RESEARCH INSTITUTE CO., LTD**,  
Guangdong (CN); **MPOW TECHNOLOGY CO., LIMITED**,  
Hong Kong (HK)

(\*\*) **Term:** **15 Years**

(21) **Appl. No.:** **29/665,118**

(22) **Filed:** **Oct. 1, 2018**

(51) **LOC (11) Cl.** ..... **10-01**

(52) **U.S. Cl.**  
USPC ..... **D10/23**

(58) **Field of Classification Search**  
USPC ..... D10/1-29, 40, 41, 128-130; D14/170,  
D14/171, 188, 194, 195, 197, 198  
CPC ..... G04B 19/00; G04B 19/04; G04B 19/34;  
G04B 45/0069; G04C 3/00; G04C 3/0001  
See application file for complete search history.

(56) **References Cited**

**U.S. PATENT DOCUMENTS**

- D309,572 S \* 7/1990 Suzuki ..... D10/18
- D317,530 S \* 6/1991 Masterson ..... D11/133
- D317,870 S \* 7/1991 Dumas ..... D10/18
- D337,951 S \* 8/1993 Bruzzi ..... D10/18
- D359,241 S \* 6/1995 Ling ..... D10/18
- D361,519 S \* 8/1995 Inora ..... D10/18
- D362,123 S \* 9/1995 Johnston ..... D6/303
- D389,690 S \* 1/1998 Denson ..... D25/48.1

- D397,943 S \* 9/1998 Levinger ..... D10/18
- D410,393 S \* 6/1999 Hanig ..... D10/1
- D466,418 S \* 12/2002 Kwok ..... D10/15
- D476,240 S \* 6/2003 Kuramochi ..... D10/40
- 6,574,897 B1 \* 6/2003 Timmer ..... A47G 1/0616  
40/743
- D483,275 S \* 12/2003 Chen ..... D10/15
- D518,386 S \* 4/2006 Della Rossa ..... D10/126
- D531,058 S \* 10/2006 Bhavnani ..... D10/1
- D532,055 S \* 11/2006 Lin ..... D21/531
- D564,913 S \* 3/2008 Smith-Kielland ..... D10/40
- D567,108 S \* 4/2008 Chang ..... D10/2
- D582,165 S \* 12/2008 Li ..... D14/374
- D613,952 S \* 4/2010 Yang ..... D14/371
- D621,541 S \* 8/2010 Hamel ..... D26/93
- D637,010 S \* 5/2011 Chen ..... D6/303

(Continued)

**FOREIGN PATENT DOCUMENTS**

EM 004125151-0001 8/2017

*Primary Examiner* — Sandra S Snapp

(74) *Attorney, Agent, or Firm* — JCIPRNET

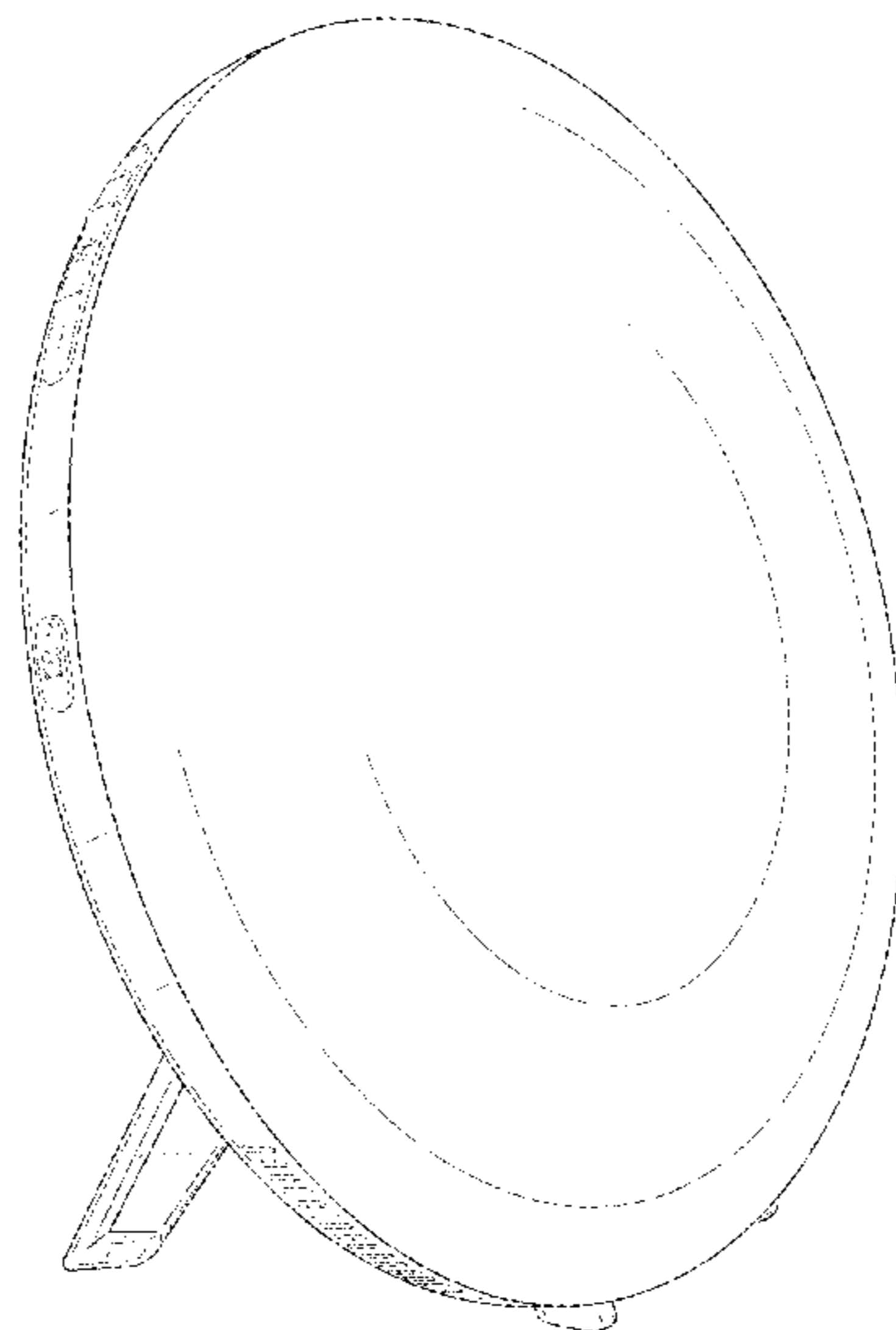
(57) **CLAIM**

The ornamental design for a clock, as shown and described.

**DESCRIPTION**

FIG. 1 is a perspective view of a clock showing my new design;  
 FIG. 2 is another perspective view thereof;  
 FIG. 3 is a front view thereof;  
 FIG. 4 is a rear view thereof;  
 FIG. 5 is a left side view thereof  
 FIG. 6 is a right side view thereof;  
 FIG. 7 is a top view thereof; and,  
 FIG. 8 is a bottom view thereof.  
 The broken line portions of the clock in the drawings represent unclaimed portions of the claimed design and form no part thereof.

**1 Claim, 7 Drawing Sheets**



(56)

**References Cited**

U.S. PATENT DOCUMENTS

|            |   |         |               |        |
|------------|---|---------|---------------|--------|
| D647,409 S | * | 10/2011 | Bulsink ..... | D10/14 |
| D739,592 S |   | 9/2015  | Hagenauer     |        |
| D814,948 S | * | 4/2018  | Bodum .....   | D10/40 |
| D821,890 S | * | 7/2018  | Jin .....     | D10/23 |

\* cited by examiner

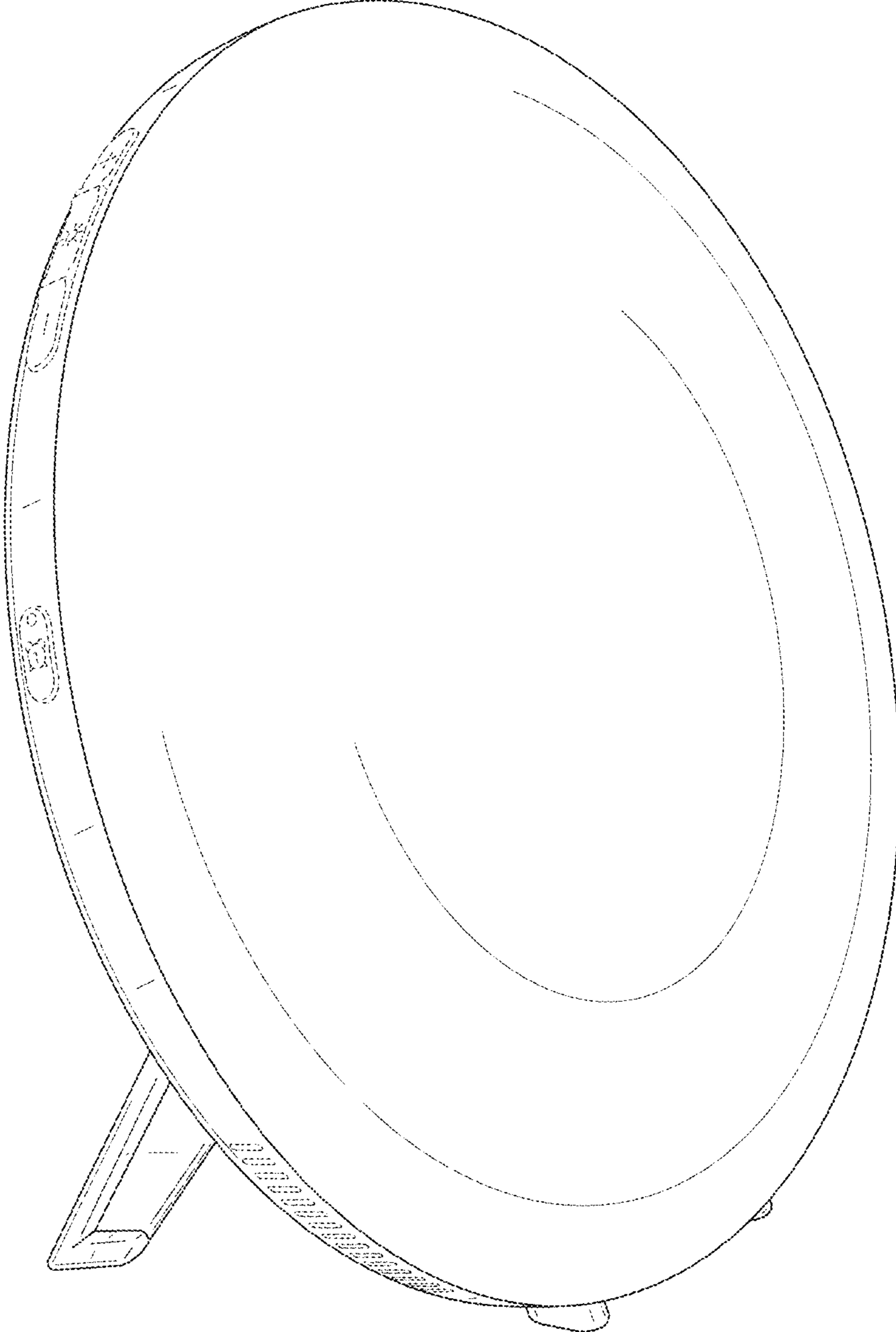


FIG. 1

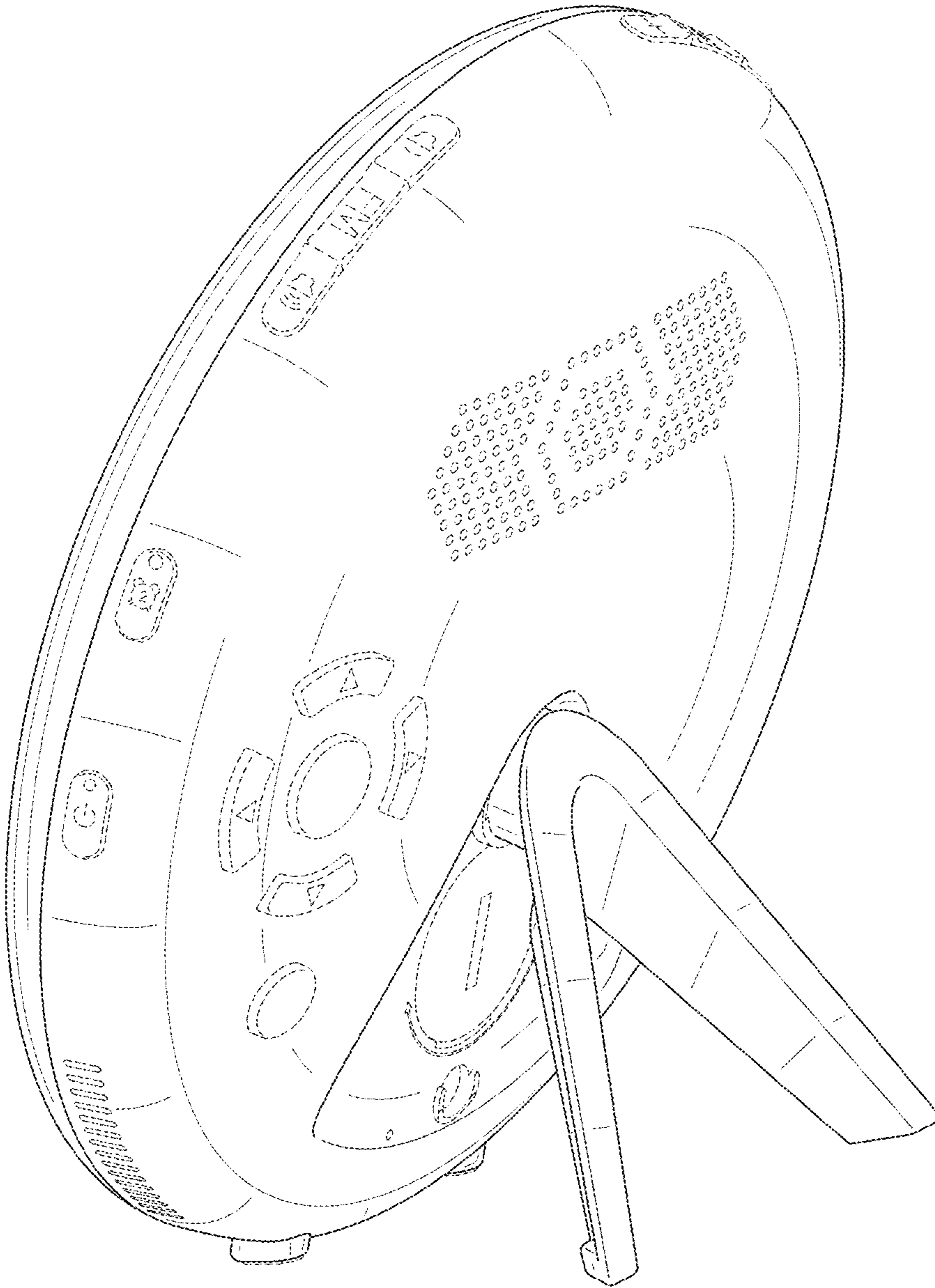


FIG. 2

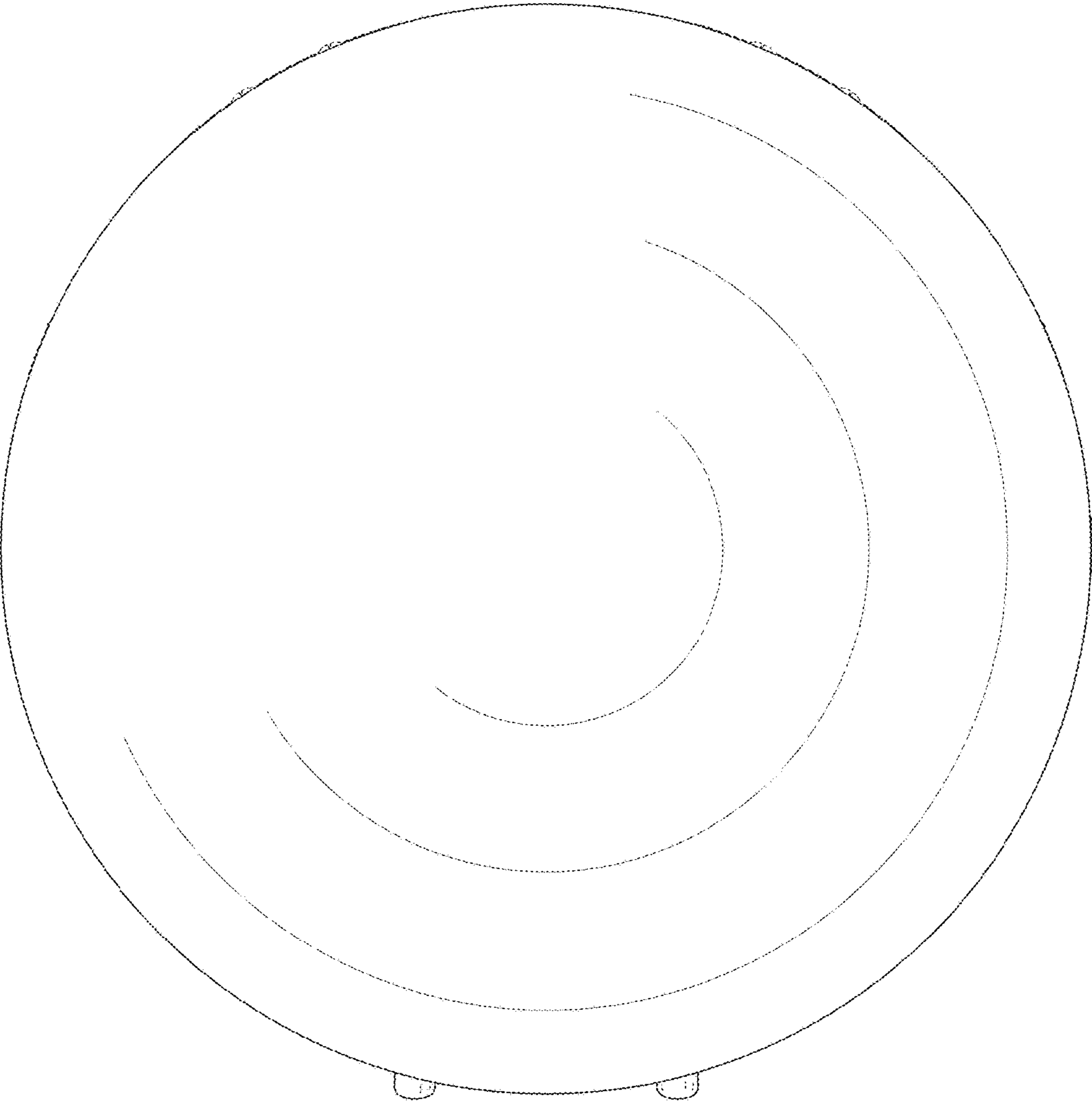


FIG. 3

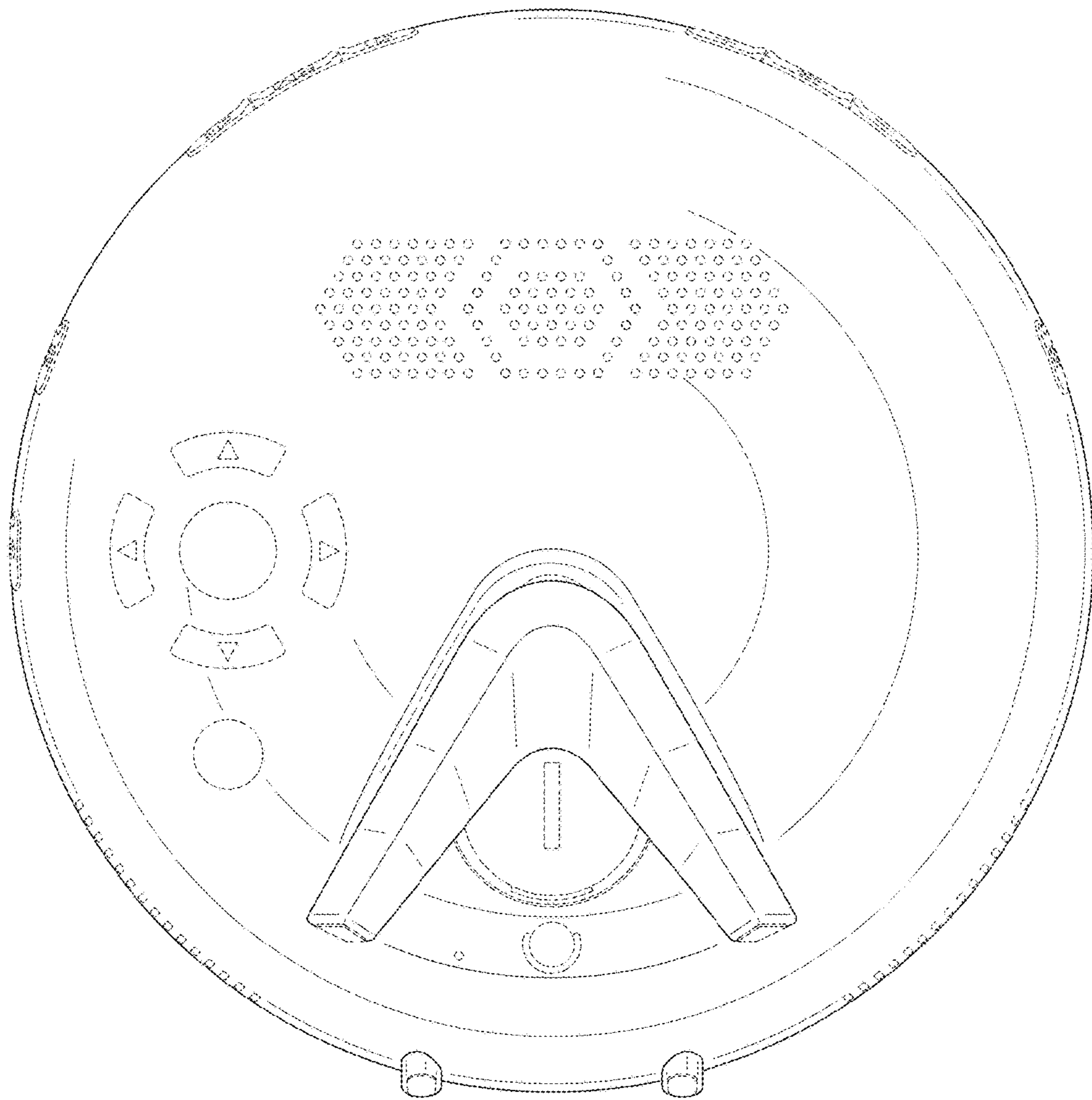


FIG. 4

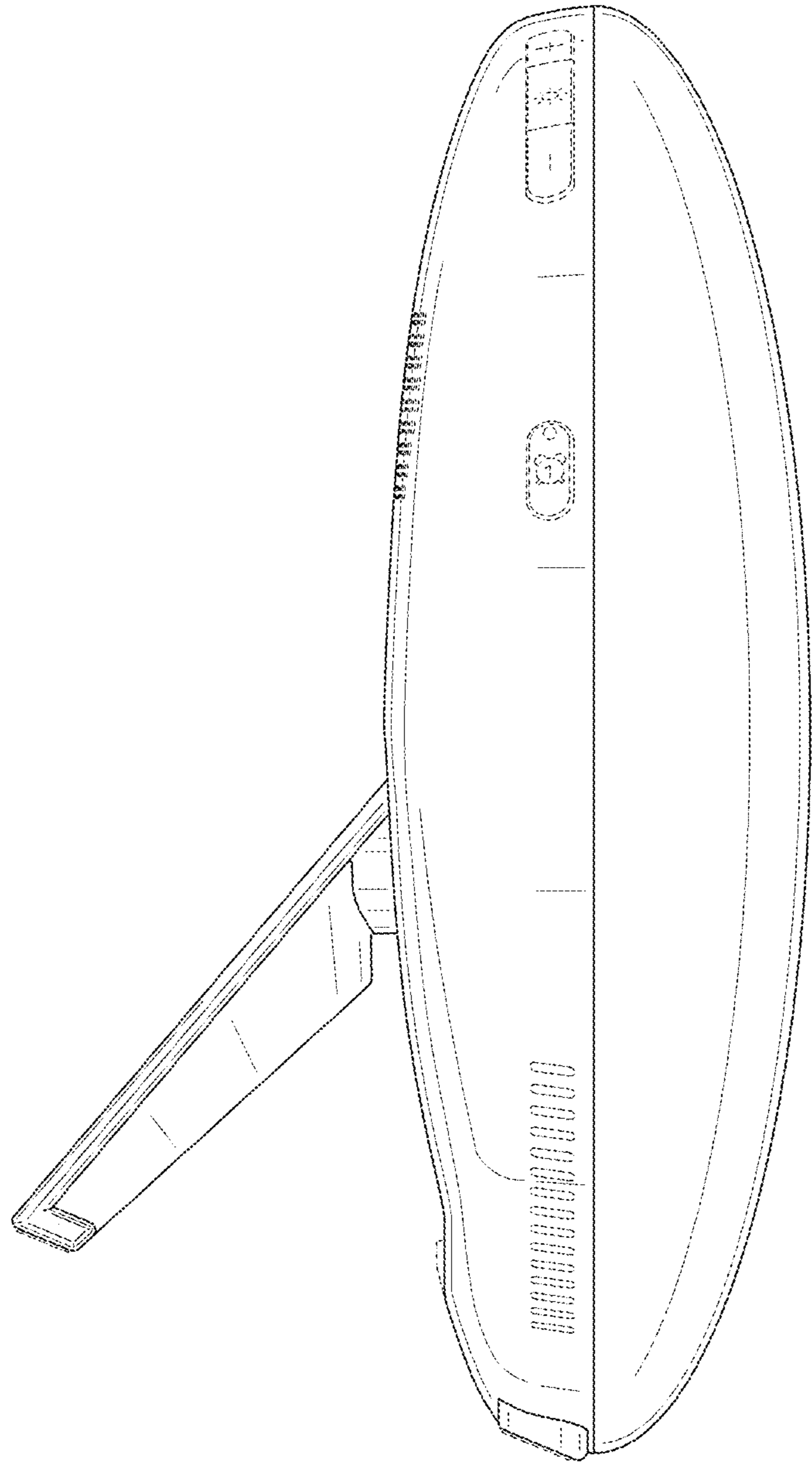


FIG. 5

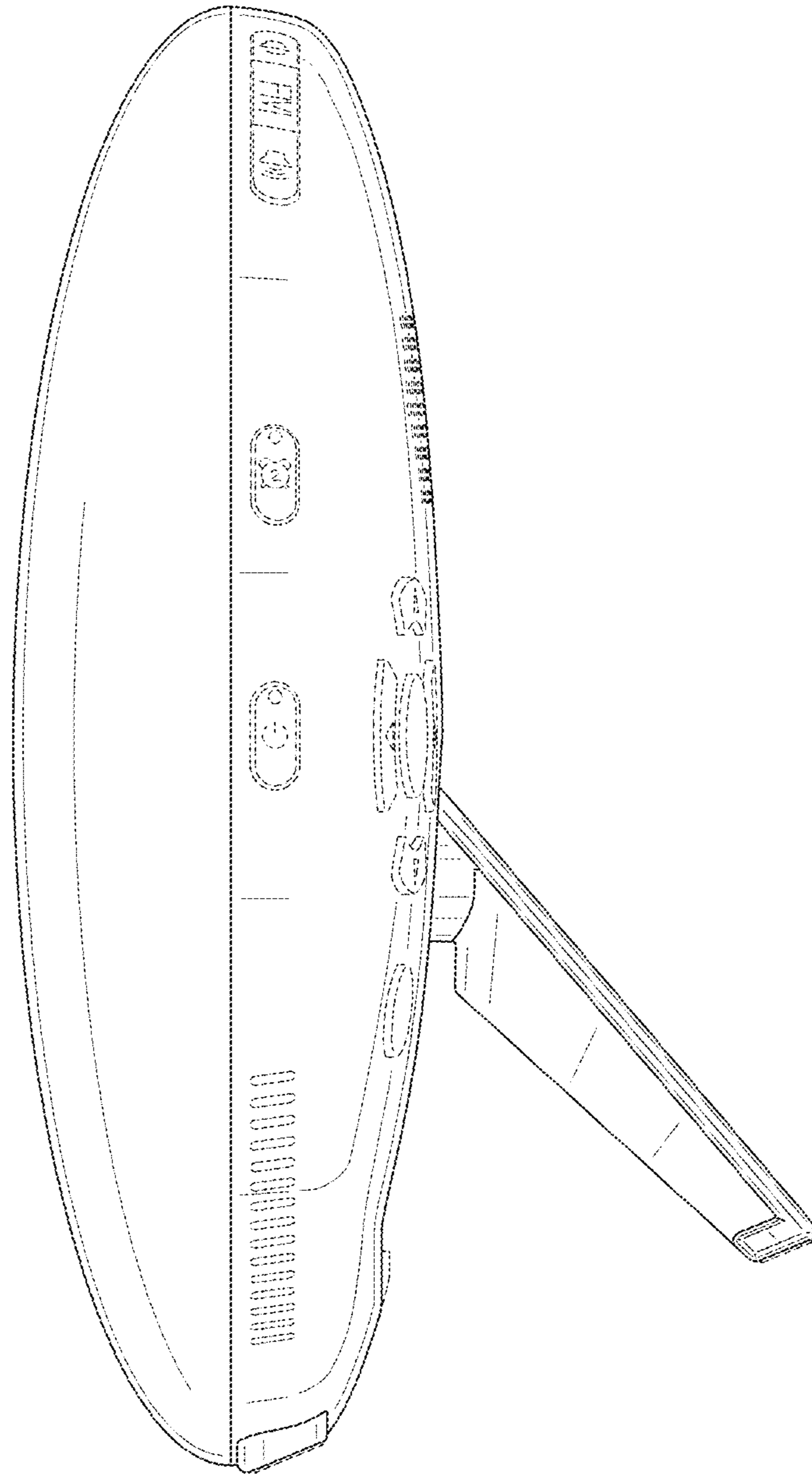


FIG. 6



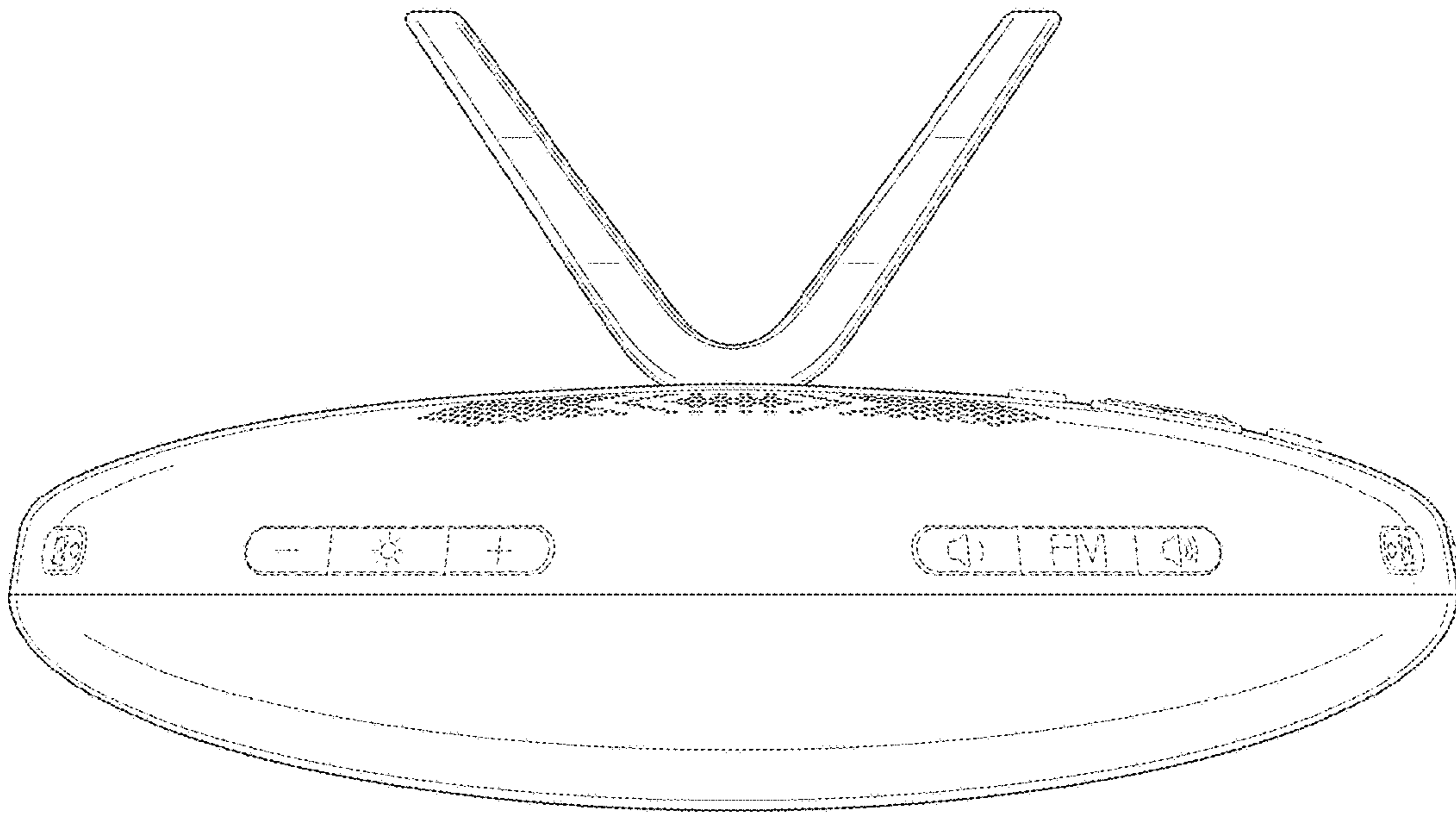


FIG. 7

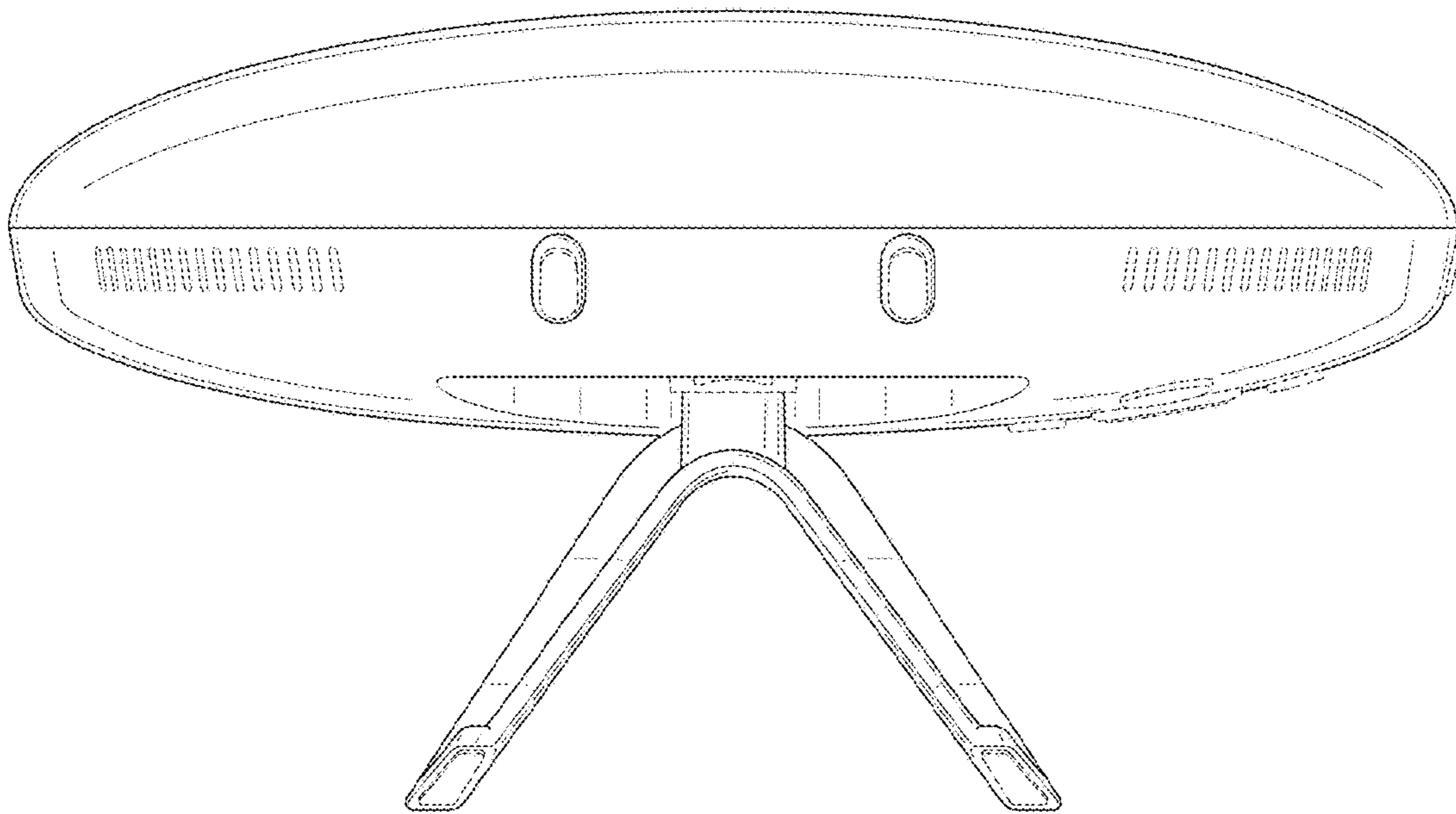


FIG. 8