



US00D844451S

(12) **United States Design Patent**  
**Katz et al.**

(10) **Patent No.:** **US D844,451 S**

(45) **Date of Patent:** **\*\* \*Apr. 2, 2019**

- (54) **POUCH FOR JUICING**
- (71) Applicant: **Juicero, Inc.**, San Francisco, CA (US)
- (72) Inventors: **Paul Katz**, San Marino, CA (US); **Neil Schultz**, San Francisco, CA (US)
- (73) Assignee: **Fresh Press LLC**, San Francisco, CA (US)

6,196,420	B1	3/2001	Gutierrez et al.	
D501,398	S *	2/2005	Tobolka	D9/707
D528,907	S *	9/2006	Meehan	D9/711
D724,440	S *	3/2015	Ulstad	B65D 5/2057 D9/702
8,985,395	B2	3/2015	Tansey	
D768,006	S *	10/2016	Pitts	D9/702
2014/0314918	A1	10/2014	Wetflauer et al.	
2015/0183627	A1	7/2015	Tansey	

- (\*) Notice: This patent is subject to a terminal disclaimer.
- (\*\*) Term: **15 Years**

- (21) Appl. No.: **29/556,793**
- (22) Filed: **Mar. 3, 2016**
- (51) **LOC (11) Cl.** ..... **09-05**
- (52) **U.S. Cl.**  
USPC ..... **D9/707**

- (58) **Field of Classification Search**  
USPC ..... D9/702-714, 443, 447, 499, 516-517, D9/523, 524, 526, 528, 530, 719, 572; D24/118, 207, 108; 383/6, 9, 22, 96, 383/61.1, 80-81, 104, 901, 63, 203, 107, 383/119-120, 123, 61.2, 44; 220/675, 220/495.03, 200, 288; 215/381-385, 400, 215/328, 316, 200, 217; 206/484; D3/202; 428/34.3, 35.2; 222/92, 215, 222/95, 107; 604/408, 403, 415  
CPC ..... B65D 35/00; B65D 35/08; B65D 11/00; B65D 11/04; B65D 1/00; B65D 1/02; B65D 1/023; B65D 1/32; B65D 33/00; B65D 33/02; B65D 33/04; B65D 33/24  
See application file for complete search history.

- (56) **References Cited**  
U.S. PATENT DOCUMENTS  
4,759,472 A 7/1988 Strenger  
5,018,646 A 5/1991 Billman et al.  
D436,848 S 1/2001 Berman

**FOREIGN PATENT DOCUMENTS**

JP	31229477-000	2/2005
JP	2011-084344 A	4/2011
WO	WO 2014/182423 A2	11/2014

\* cited by examiner

*Primary Examiner* — Abraham Bahta  
(74) *Attorney, Agent, or Firm* — David R. Stevens; Stevens Law Group

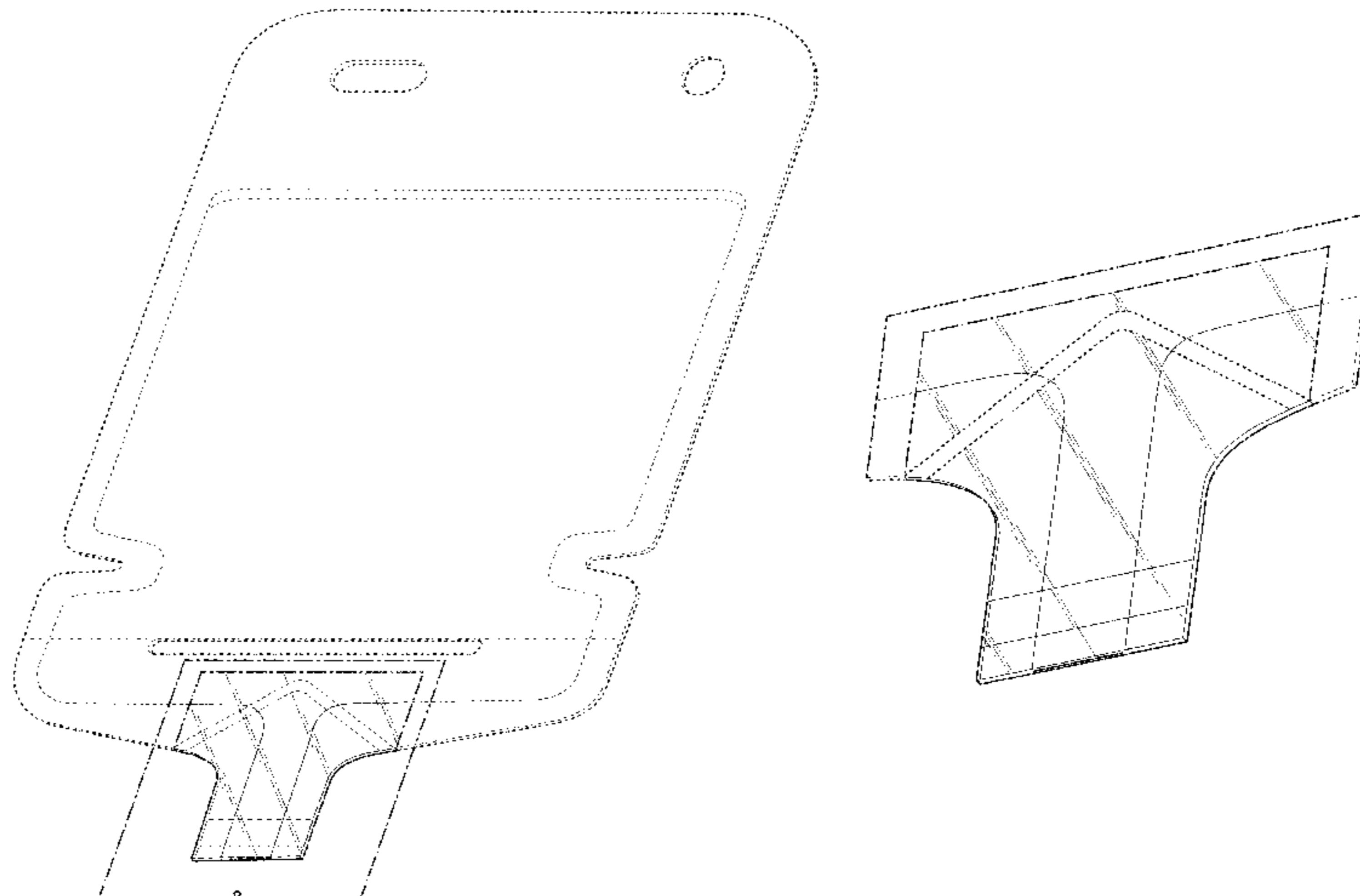
(57) **CLAIM**

The ornamental design for a pouch for juicing, as shown and described.

**DESCRIPTION**

FIG. 1 is a bottom, front, right side perspective view of a pouch for juicing showing our new design;  
 FIG. 2 is a front elevation view thereof;  
 FIG. 3 is a rear elevation view thereof;  
 FIG. 4 is a left side elevation view thereof;  
 FIG. 5 is a right side elevation view thereof;  
 FIG. 6 is a top plan view thereof;  
 FIG. 7 is a bottom plan view thereof;  
 FIG. 8 is an enlarged fragmentary bottom, front, right side perspective view of the portion shown within the rectangular area identified as 8 in FIG. 1; and,  
 FIG. 9 is a bottom plan view of FIG. 8.  
 The dash-dash broken lines represent portions of the pouch for juicing that form no part of the claimed design. The dot-dash broken lines represent boundaries of the claimed design and form no part of the claimed design.

**1 Claim, 6 Drawing Sheets**



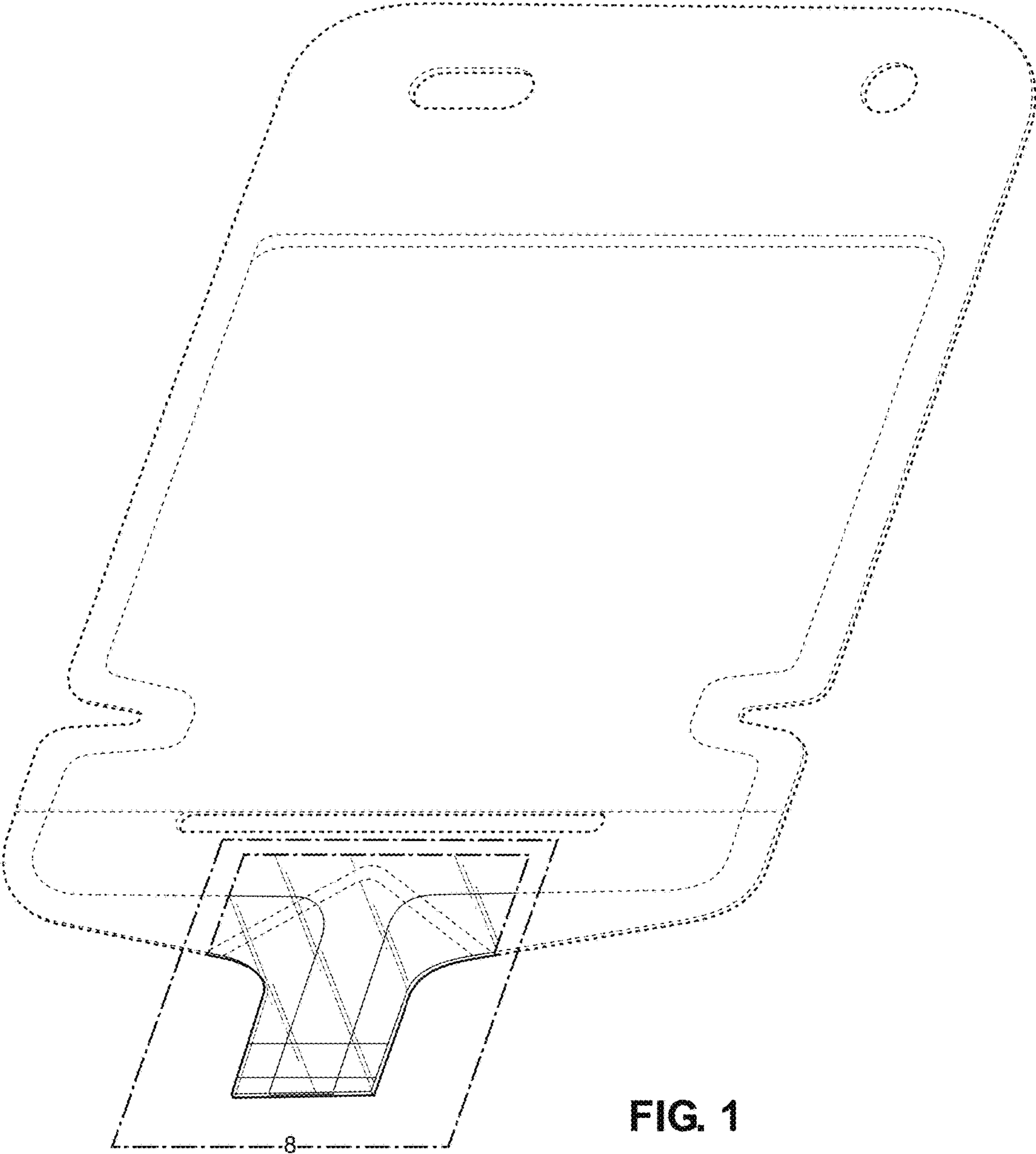


FIG. 1

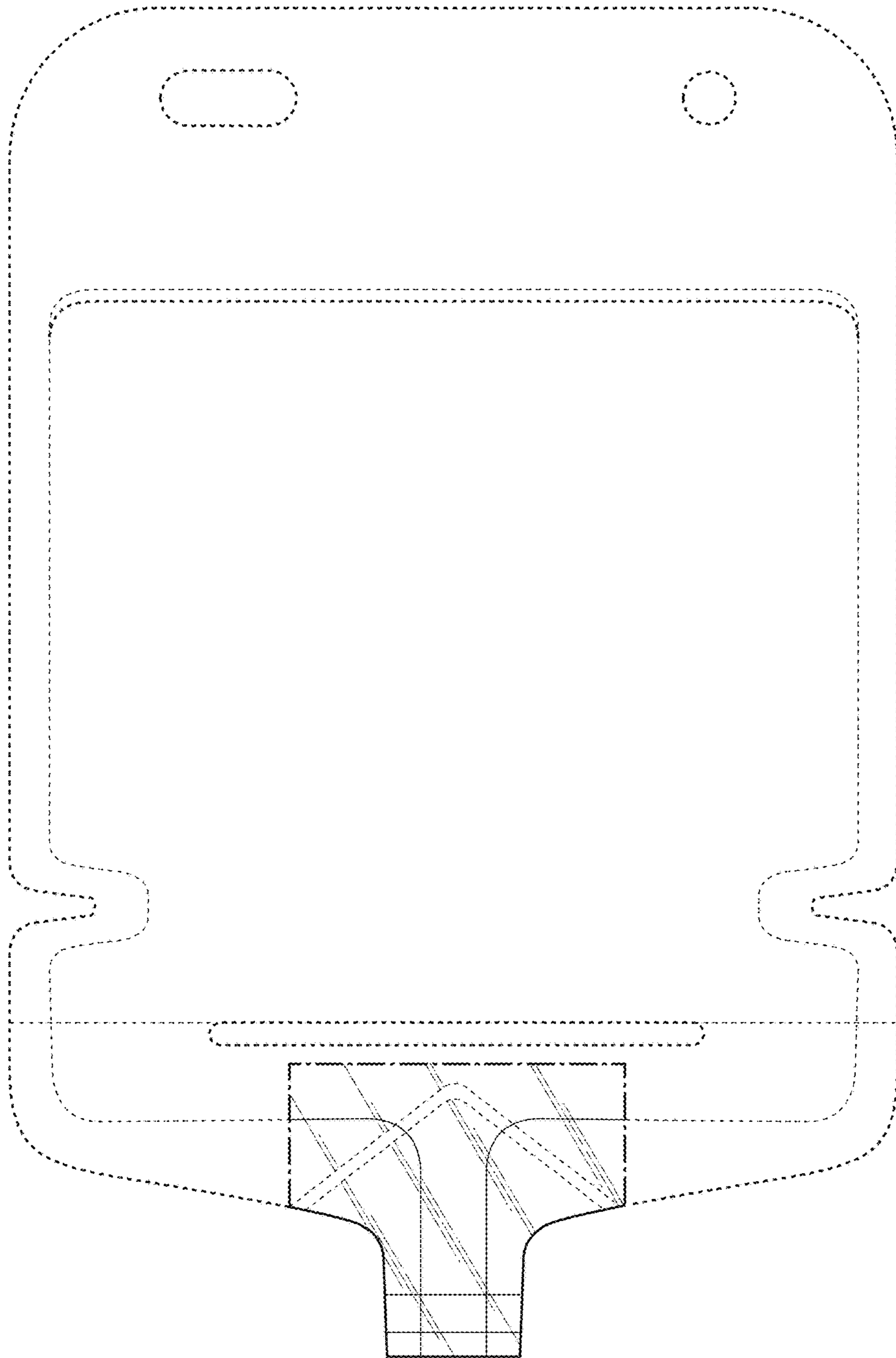


FIG. 2

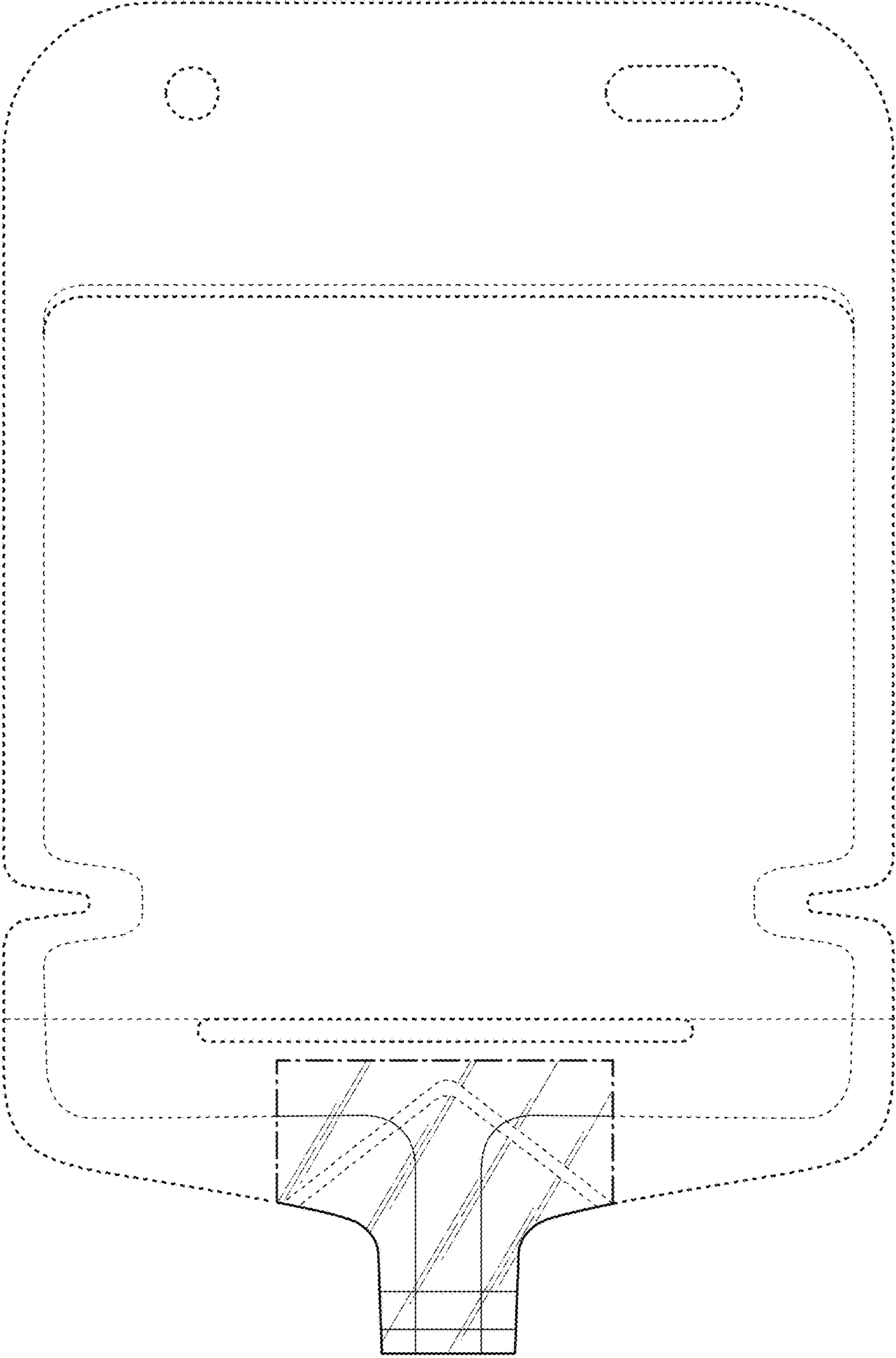


FIG. 3

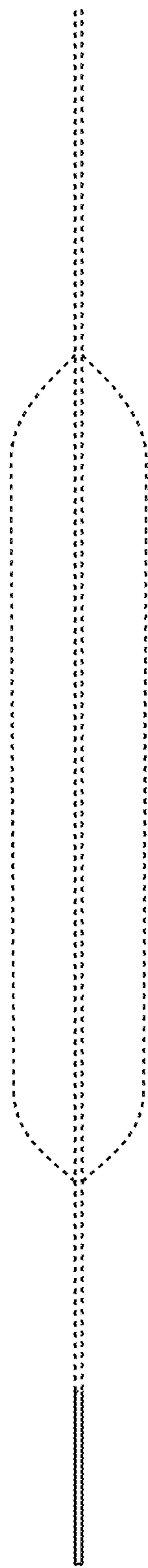


FIG. 4

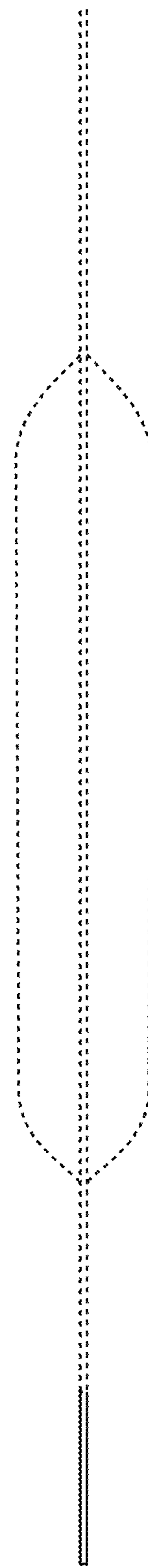
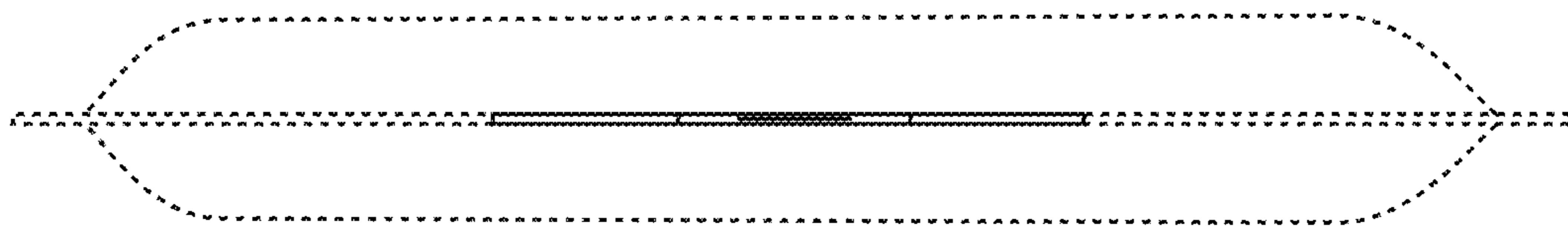
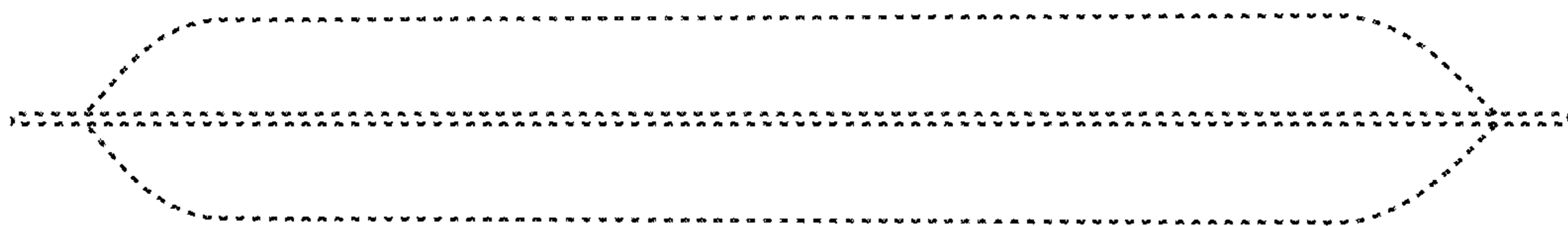


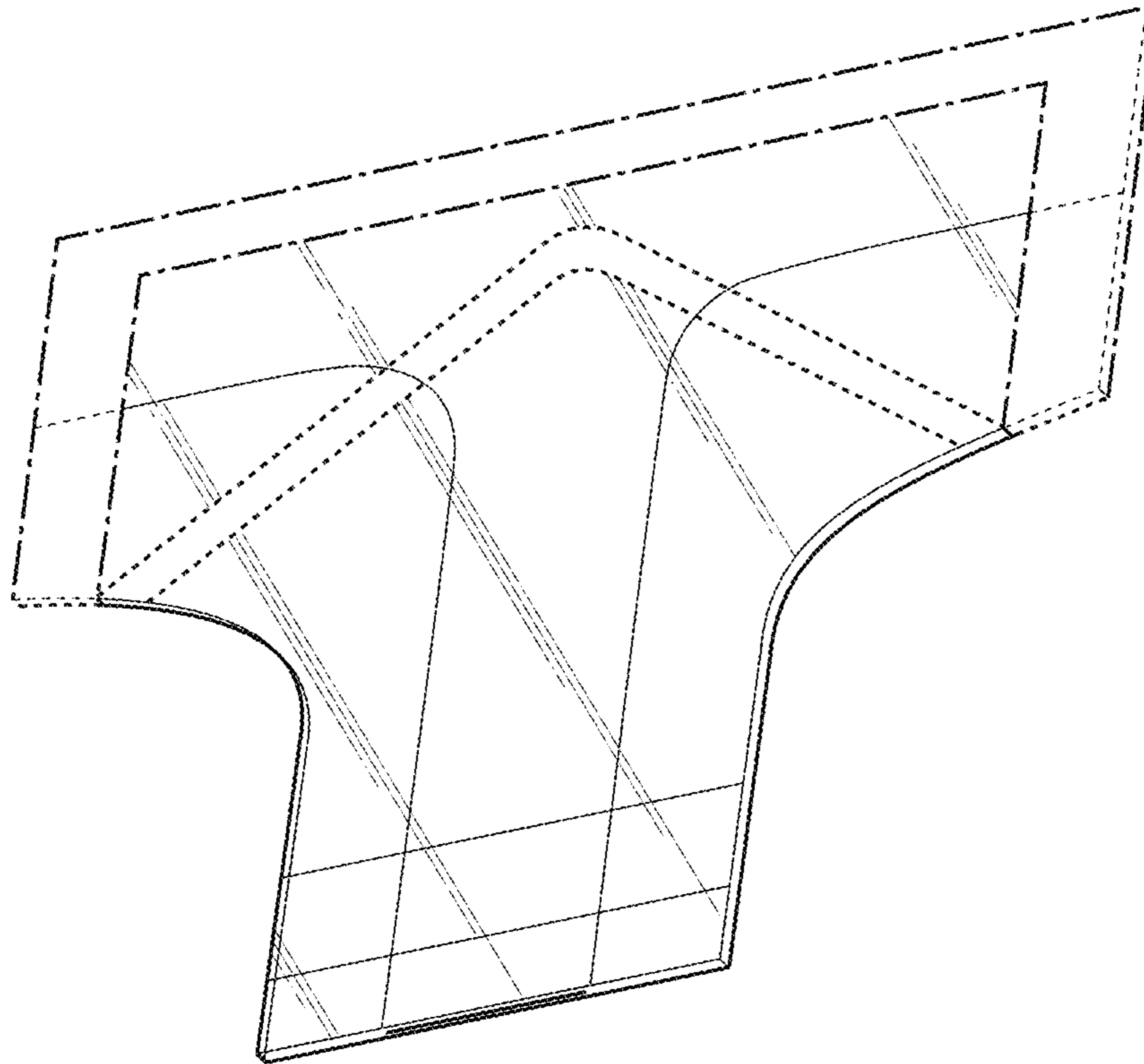
FIG. 5



**FIG. 6**



**FIG. 7**



**FIG. 8**



**FIG. 9**