



US00D844450S

(12) **United States Design Patent** (10) **Patent No.:** **US D844,450 S**
Witzke (45) **Date of Patent:** **** Apr. 2, 2019**

(54) **DETERGENT POUCH**
(71) Applicant: **Korex Canada Company**, Etobicoke (CA)
(72) Inventor: **Douglas Witzke**, Caledon (CA)
(73) Assignee: **Korex Canada Company**, Etobicoke (CA)
(**) Term: **15 Years**
(21) Appl. No.: **29/610,472**
(22) Filed: **Jul. 12, 2017**
(51) **LOC (11) Cl.** **09-05**
(52) **U.S. Cl.**
USPC **D9/705; D28/8.1**
(58) **Field of Classification Search**
USPC D9/707-708, 414, 424, 426, 425, 430, D9/432, 732; 68/17 R; 604/212, 217
CPC C11D 17/00; C11D 17/0017; C11D 17/02; C11D 17/0026; C11D 17/0047-17/0095; C11D 13/18; C11D 13/20
See application file for complete search history.

7,439,215 B2 10/2008 Catlin et al.
7,464,519 B2 12/2008 Fisher et al.
7,521,411 B2 4/2009 Sharma et al.
7,550,421 B2 6/2009 Sharma et al.
D599,056 S 8/2009 Schwartz et al.
D599,057 S 8/2009 Beckholt et al.
7,578,114 B2 8/2009 Duffield et al.
7,595,290 B2 9/2009 Pounds et al.
7,615,524 B2 11/2009 Del Duca et al.
D608,049 S 1/2010 Schwartz et al.
7,648,951 B2 1/2010 Sharma et al.
7,677,015 B2 3/2010 Kroese et al.
D618,393 S 6/2010 Beckholt et al.
D621,718 S * 8/2010 Mehdizadeh D9/707
D622,157 S 8/2010 Mehdizadeh
7,964,549 B2 6/2011 Boutoille et al.
7,977,298 B2 7/2011 Joinson
D643,574 S 8/2011 Heidel et al.
D646,433 S 10/2011 Heidel et al.
D647,249 S 10/2011 Heidel et al.
D647,250 S 10/2011 Heidel et al.
8,042,318 B2 10/2011 Ayats et al.
D648,065 S 11/2011 Heidel et al.

(Continued)

Primary Examiner — Abraham Bahta
(74) Attorney, Agent, or Firm — Dinsmore & Shohl LLP

(57) **CLAIM**

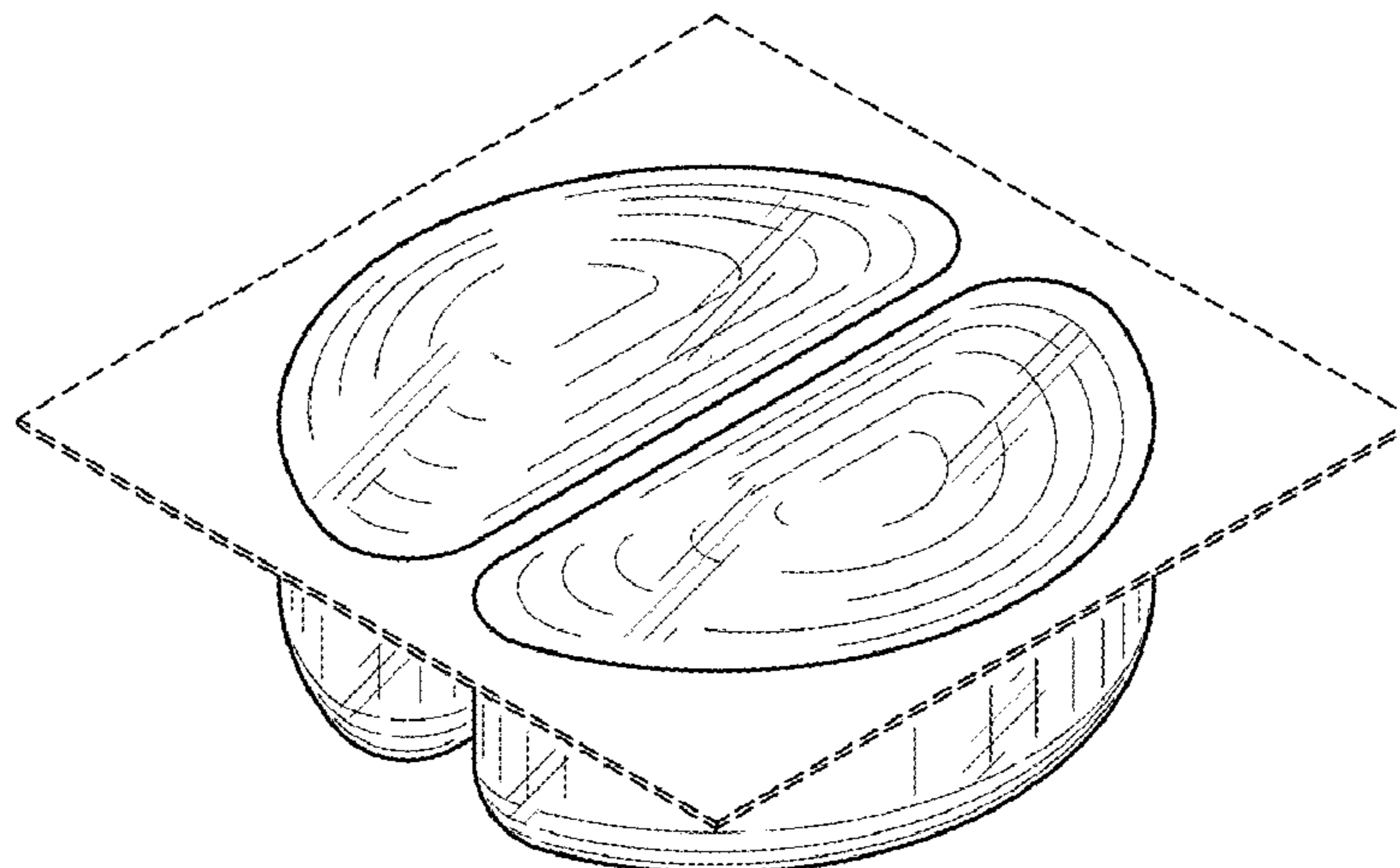
The ornamental design for a detergent pouch, as shown and described.

DESCRIPTION

FIG. 1 is a perspective view of the detergent pouch showing my new design;
FIG. 2 is a side view of the design of FIG. 1;
FIG. 3 is an end view of the design of FIG. 1;
FIG. 4 is a top view of the design of FIG. 1; and,
FIG. 5 is a bottom view of the design of FIG. 1.
The broken lines represent portions of the structure that form no part of the claim.

1 Claim, 2 Drawing Sheets

(56) **References Cited**
U.S. PATENT DOCUMENTS
6,670,314 B2 12/2003 Smith et al.
6,924,258 B2 8/2005 Delamarche et al.
6,995,125 B2 2/2006 Dasque et al.
7,013,623 B2 3/2006 Fisher et al.
7,105,478 B2 9/2006 Guzman et al.
7,125,828 B2 10/2006 Catlin et al.
7,127,874 B2 10/2006 Viltro et al.
7,229,955 B2 6/2007 Dasque et al.
7,259,134 B2 8/2007 Beckholt et al.
7,304,023 B2 12/2007 Dasque et al.
7,304,025 B2 12/2007 Hardy et al.
7,386,971 B2 6/2008 Catlin et al.
7,407,923 B2 8/2008 Wiedemann et al.



(56)

References Cited

U.S. PATENT DOCUMENTS

D648,066 S	11/2011	Heidel et al.	D735,409 S	7/2015	Sunder	
D648,067 S	11/2011	Heidel et al.	9,163,205 B2	10/2015	Sivik et al.	
D648,068 S	11/2011	Heidel et al.	D748,330 S	1/2016	Gerhards	
D648,069 S	11/2011	Heidel et al.	9,242,774 B2	1/2016	Petrovicova et al.	
D648,070 S	11/2011	Heidel et al.	9,249,380 B2	2/2016	Gordon et al.	
D649,710 S	11/2011	Mehdizadeh	D759,891 S	6/2016	Sarb	
8,066,818 B2	11/2011	Brooker et al.	D760,434 S	6/2016	Schmaelzle et al.	
D651,340 S	12/2011	Heidel et al.	D760,436 S	6/2016	Schmaelzle et al.	
D656,669 S	3/2012	Davis et al.	9,382,506 B2	7/2016	Catlin et al.	
D656,670 S	3/2012	Davis et al.	9,434,916 B2	9/2016	Catlin et al.	
D656,671 S	3/2012	Davis et al.	9,453,187 B2	9/2016	Krubasik et al.	
D656,672 S	3/2012	Davis et al.	D774,249 S *	12/2016	McLenithan	D28/8.1
D656,673 S	3/2012	Davis et al.	D774,250 S *	12/2016	McLenithan	D28/8.1
D656,674 S	3/2012	Davis et al.	D774,251 S *	12/2016	McLenithan	D28/8.1
D657,495 S	4/2012	Davis et al.	D819,886 S *	6/2018	Brewer	D28/8.1
D657,910 S	4/2012	Davis et al.	D821,029 S *	6/2018	Crivolio	D28/8.1
8,156,713 B2	4/2012	Catlin et al.	D821,644 S *	6/2018	Hartman	D28/8.1
D659,902 S	5/2012	Mehdizadeh	2011/0039985 A1	2/2011	Patel et al.	
D661,018 S	5/2012	Mehdizadeh	2012/0021026 A1	1/2012	Glenn, Jr. et al.	
8,188,027 B2	5/2012	Lynch et al.	2012/0052036 A1	3/2012	Glenn, Jr. et al.	
8,250,837 B2	8/2012	Catlin et al.	2012/0058166 A1	3/2012	Glenn, Jr. et al.	
8,283,300 B2	10/2012	Catlin et al.	2012/0237576 A1	9/2012	Gordon et al.	
8,309,203 B2	11/2012	Catalfamo	2014/0008016 A1	1/2014	Koch	
8,357,647 B2	1/2013	Sharma et al.	2014/0179586 A1	6/2014	Gruber et al.	
D679,863 S	4/2013	Sunder	2014/0329428 A1	11/2014	Glenn, Jr. et al.	
D680,266 S	4/2013	Drought et al.	2015/0267155 A1	9/2015	Brooker et al.	
D680,270 S	4/2013	Drought et al.	2015/0267156 A1	9/2015	Brooker et al.	
D680,445 S	4/2013	Kopulos et al.	2015/0274413 A1	10/2015	Brandt Sanz et al.	
D680,685 S	4/2013	Drought et al.	2015/0275152 A1	10/2015	Brooker et al.	
D681,270 S	4/2013	Davis	2015/0275153 A1	10/2015	Murphy	
D681,271 S	4/2013	Davis	2015/0275154 A1	10/2015	Souter et al.	
D681,272 S	4/2013	Davis	2015/0275155 A1	10/2015	Souter et al.	
D681,273 S	4/2013	Davis	2015/0275156 A1	10/2015	Souter et al.	
8,431,517 B2	4/2013	Song	2015/0275157 A1	10/2015	Souter et al.	
8,435,935 B2	5/2013	Catlin et al.	2015/0291300 A1	10/2015	Brandt Sanz et al.	
8,518,866 B2	8/2013	Catlin et al.	2016/0008235 A1	1/2016	Sivik et al.	
D689,240 S	9/2013	Sunder	2016/0010041 A1	1/2016	Sivik et al.	
8,524,646 B2	9/2013	Ricci et al.	2016/0024447 A1	1/2016	Simonsen et al.	
D689,241 S	10/2013	Gerhards	2016/0040101 A1	2/2016	De Poortere et al.	
D691,326 S	10/2013	Gerhards	2016/0068285 A1	3/2016	Fowler et al.	
D695,451 S	12/2013	Gerhards	2016/0090562 A1	3/2016	Loughnane et al.	
8,658,585 B2	2/2014	Catlin et al.	2016/0145459 A1	5/2016	Klein et al.	
8,669,219 B2	3/2014	Wiedemann et al.	2016/0145543 A1	5/2016	Letzelter et al.	
8,697,624 B2	4/2014	Denome et al.	2016/0145544 A1	5/2016	Letzelter et al.	
D714,161 S	9/2014	Crawford et al.	2016/0145545 A1	5/2016	Letzelter et al.	
8,835,372 B2	9/2014	Jennewein	2016/0145546 A1	5/2016	Letzelter et al.	
8,940,676 B2	1/2015	Catlin et al.	2016/0145548 A1	5/2016	Van Tol et al.	
D728,157 S	4/2015	Sarb	2016/0168517 A1	6/2016	Massey-Brooker et al.	
D728,178 S	4/2015	Crawley	2016/0200501 A1	7/2016	Lee et al.	
8,999,911 B2	4/2015	Armstrong et al.	2016/0208202 A1	7/2016	Himmrich et al.	
D732,735 S	6/2015	Nixon et al.	2016/0215242 A1	7/2016	Himmrich et al.	
D733,962 S	7/2015	Sunder	2016/0215243 A1	7/2016	Himmrich et al.	
D735,407 S	7/2015	Gerhards	2016/0230131 A1	8/2016	Wiedemann et al.	
D735,408 S	7/2015	Meier	2016/0251148 A1	9/2016	Edwards	
			2016/0257914 A1	9/2016	Catlin et al.	
			2016/0271021 A1	9/2016	Glenn, Jr. et al.	

* cited by examiner

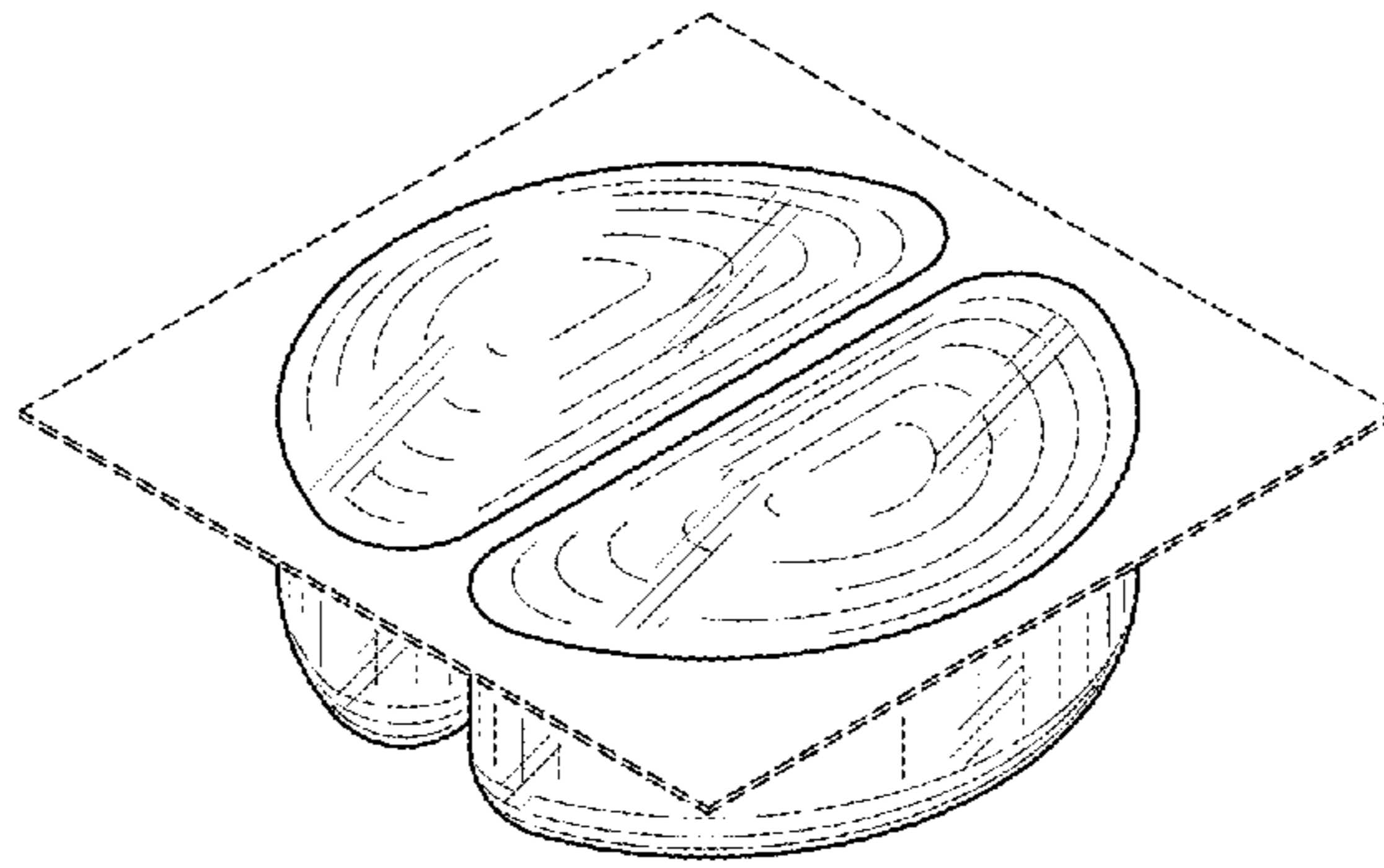


FIG. 1

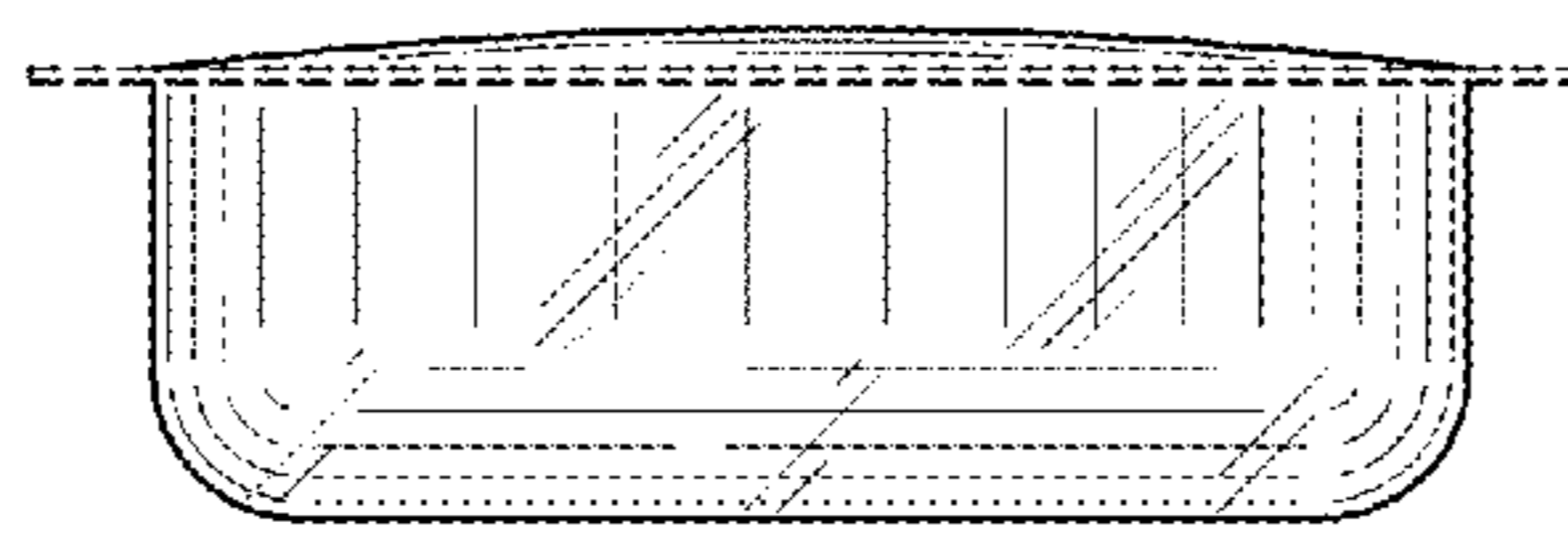


FIG. 2

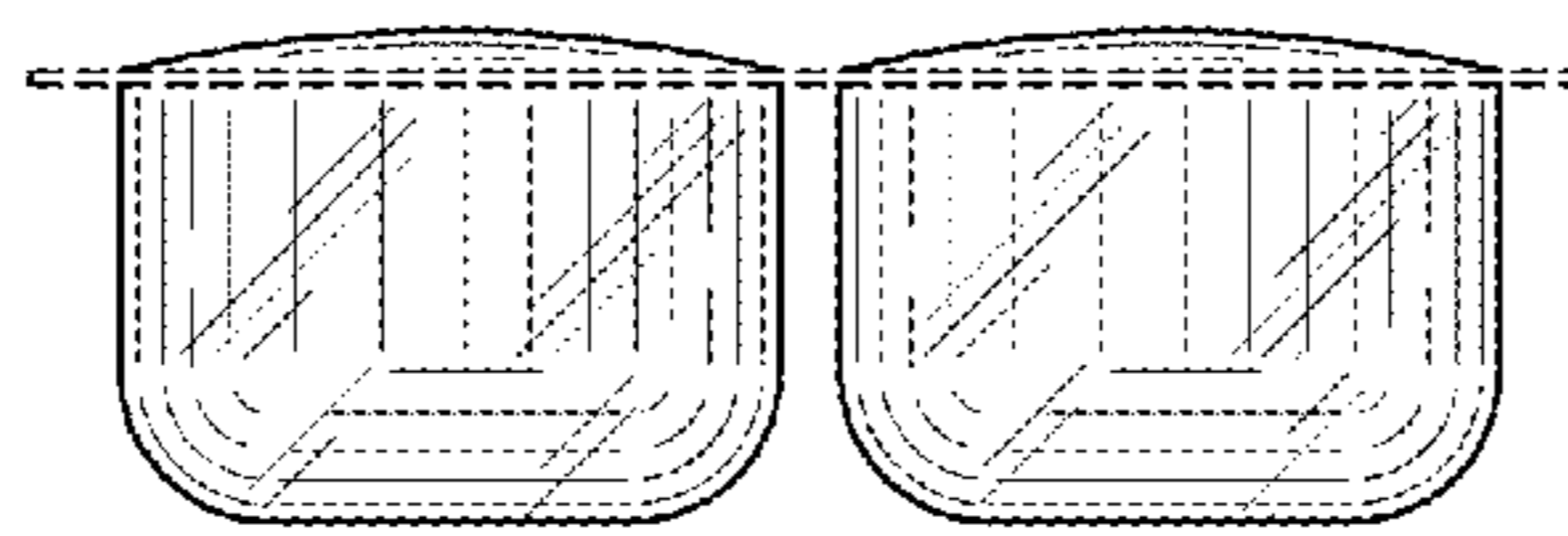


FIG. 3

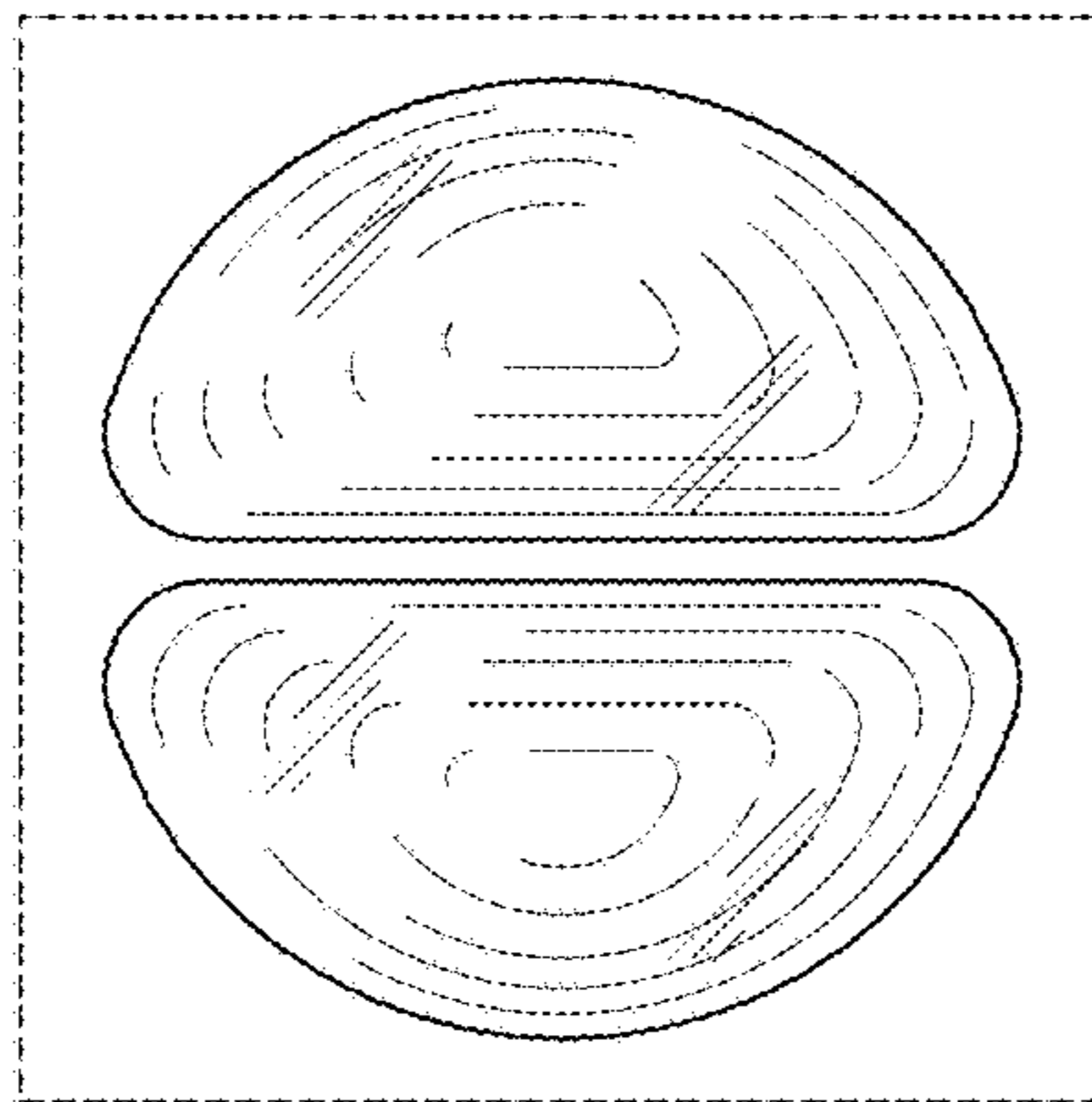


FIG. 4

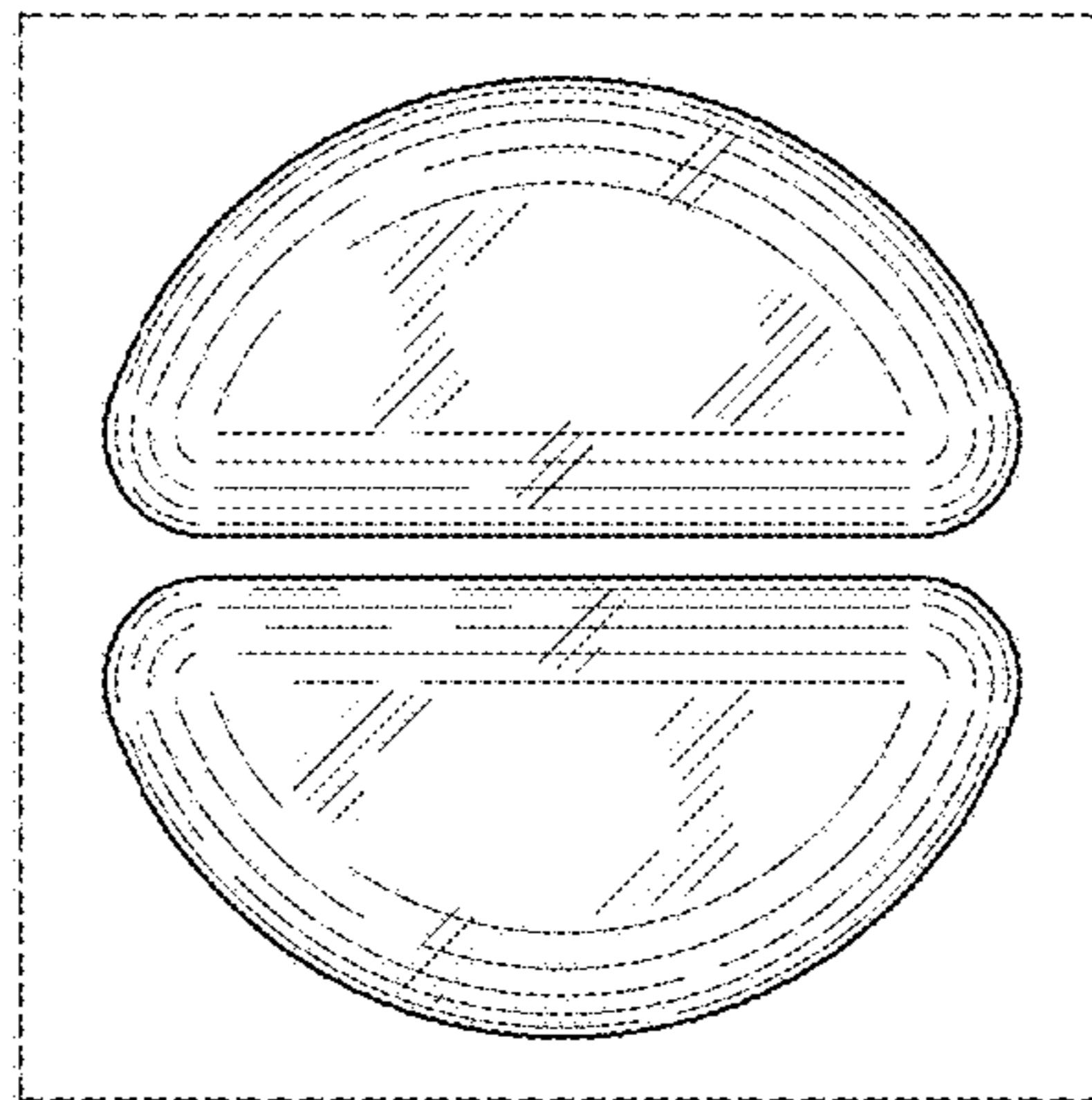


FIG. 5