

US00D844449S

(12) **United States Design Patent** (10) **Patent No.:** **US D844,449 S**  
**Tseng et al.** (45) **Date of Patent:** **\*\* Apr. 2, 2019**

(54) **PLASTIC BAG WITH TEXTURED STRIPS**

(71) Applicant: **Inteplast Group Corporation**,  
Livingston, NJ (US)

(72) Inventors: **Ben Tseng**, East Brunswick, NJ (US);  
**Ter-Hai Lin**, Sugar Land, TX (US);  
**Joe Wang**, Roseland, NJ (US); **Jerry Hsu**, Closter, NJ (US)

(73) Assignee: **Inteplast Group Corporation**,  
Livingston, NJ (US)

(\*\*) Term: **15 Years**

(21) Appl. No.: **29/561,389**

(22) Filed: **Apr. 15, 2016**

**Related U.S. Application Data**

(62) Division of application No. 29/470,764, filed on Oct. 24, 2013, now Pat. No. Des. 755,640.

(51) **LOC (11) Cl.** ..... **09-05**

(52) **U.S. Cl.**  
USPC ..... **D9/703**

(58) **Field of Classification Search**  
USPC ..... D9/702, 703, 707, 709; 383/63, 61.2  
(Continued)

(56) **References Cited**

U.S. PATENT DOCUMENTS

D29,594 S 11/1898 Arkell  
3,715,420 A 2/1973 Kiyono et al.

(Continued)

*Primary Examiner* — Brett Miller

(74) *Attorney, Agent, or Firm* — Stinson Leonard Street LLP

(57) **CLAIM**

The ornamental design for a plastic bag with textured strips, as shown and described.

**DESCRIPTION**

FIG. 1 is a front elevation of one embodiment of a plastic bag of the present invention; the plastic bag having three

textured strips extending between the opening of the bag and the bottom of the bag, the rear elevation being a mirror image thereof;

FIG. 2 is a front elevation of another embodiment of the invention, the plastic bag having three textured strips extending between the opening of the bag and the bottom of the bag, the rear elevation being a mirror image thereof;

FIG. 3 is a front elevation of another embodiment of the invention, the plastic bag having three textured strips extending between the opening of the bag and the bottom of the bag, the rear elevation being a mirror image thereof;

FIG. 4 is a front elevation of another embodiment of the invention, the plastic bag having three textured strips extending between the opening of the bag and the bottom of the bag, the rear elevation being a mirror image thereof;

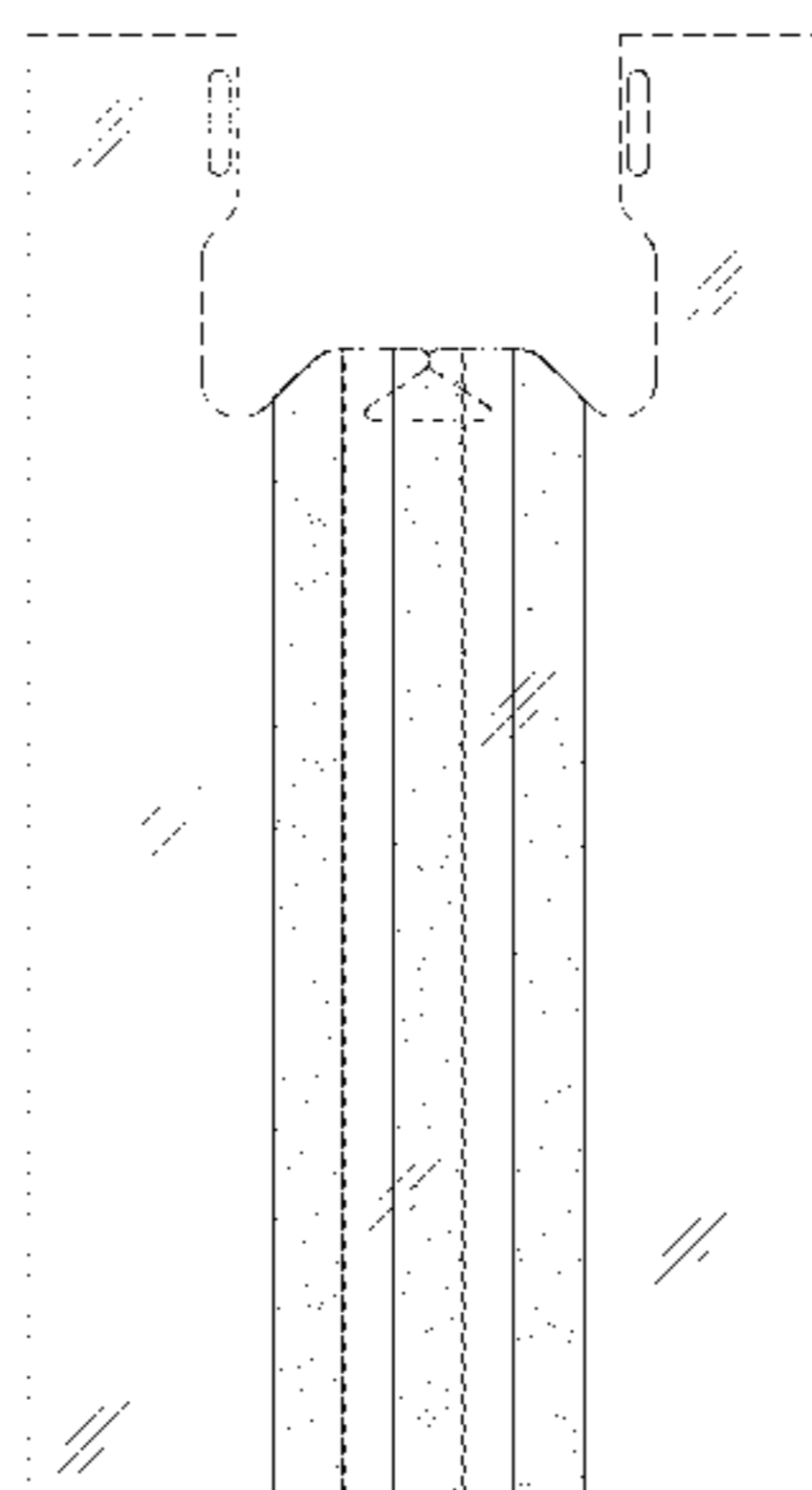
FIG. 5 is a front elevation of another embodiment of the invention, the plastic bag having three textured strips extending between the opening of the bag and the bottom of the bag, the rear elevation being a mirror image thereof; and,

FIG. 6 is a front elevation of another embodiment of the invention, the plastic bag having three textured strips extending between the opening of the bag and the bottom of the bag, the rear elevation being a mirror image thereof.

The shading in FIGS. 1-6 depicts a texture contrast consonant with the visual appearance shown in these drawings. In FIG. 1, a front panel and a rear panel of the plastic bag are transparent, and a strip of the plastic bag has stippling to show that it has a different texture, and therefore a texture contrast is depicted between the textured strip and the remainder of the bag.

The broken lines illustrate unclaimed features and define portions of the plastic bag that form no part of the claim. The claim is directed to shaded surfaces.

**1 Claim, 6 Drawing Sheets**



(58) **Field of Classification Search**  
 CPC ..... B65D 2575/586; B65D 33/20; B65D  
 33/007; B65D 33/001  
 See application file for complete search history.

(56) **References Cited**

U.S. PATENT DOCUMENTS

4,488,918	A	12/1984	Jofs	
4,562,023	A	12/1985	Pabst et al.	
4,753,766	A	6/1988	Pinsolle	
4,840,824	A	6/1989	Davis	
D302,112	S *	7/1989	Benoit .....	D9/703
5,308,666	A	5/1994	Borchardt	
D349,451	S	8/1994	Sagnard	
5,382,094	A	1/1995	Ausnit	
D363,018	S	10/1995	Stokes et al.	
5,804,112	A	9/1998	Greene	
D401,846	S	12/1998	Nguyen	
5,863,130	A	1/1999	Nguyen	
5,894,947	A	4/1999	Morano	
D432,907	S	10/2000	Hyde	
D466,005	S	11/2002	Gates	
6,716,296	B2	4/2004	Chum	
D541,667	S	5/2007	Pokusa et al.	
D541,668	S	5/2007	Pokusa et al.	
D541,669	S	5/2007	Pokusa et al.	
D542,646	S	5/2007	Berman	
D551,989	S	10/2007	Engel et al.	
D552,482	S	10/2007	Lin	
7,381,357	B2	6/2008	Cramer	

D587,129	S	2/2009	Schiffman et al.	
D595,148	S	6/2009	Friedland et al.	
D613,181	S	4/2010	Friedland et al.	
7,950,851	B2	5/2011	Taheri	
D642,069	S	7/2011	LaFauci et al.	
D660,179	S	5/2012	Bray	
D667,228	S	9/2012	Kurose et al.	
D675,937	S	2/2013	Stern	
D676,762	S	2/2013	LaFauci	
8,389,596	B2	3/2013	Boyce et al.	
D684,467	S	6/2013	Macaulay et al.	
D684,468	S	6/2013	Macaulay et al.	
D688,564	S	8/2013	LaFauci	
D691,491	S	10/2013	Tucker et al.	
D692,314	S	10/2013	Wilcoxon et al.	
D693,238	S	11/2013	Wilcoxon et al.	
D696,141	S	12/2013	Wilcoxon et al.	
D703,547	S	4/2014	France et al.	
D712,206	S	9/2014	Ostroy	
D723,383	S	3/2015	Tseng et al.	
D723,937	S	3/2015	Dais et al.	
D755,640	S *	5/2016	Tseng .....	D9/703
2003/0138171	A1	7/2003	Kikuchi	
2004/0184682	A1	9/2004	Lovold	
2008/0277308	A1 *	11/2008	Simhaee .....	B65D 33/007 206/554
2011/0211777	A1	9/2011	Gerbault	
2011/0249919	A1	10/2011	Shepard	
2011/0311169	A1	12/2011	Gimmler et al.	
2012/0180434	A1	7/2012	Snyder et al.	
2012/0195526	A1	8/2012	Moehlenbrock et al.	
2016/0221723	A1 *	8/2016	Tseng .....	B65D 33/007

\* cited by examiner

FIG. 1

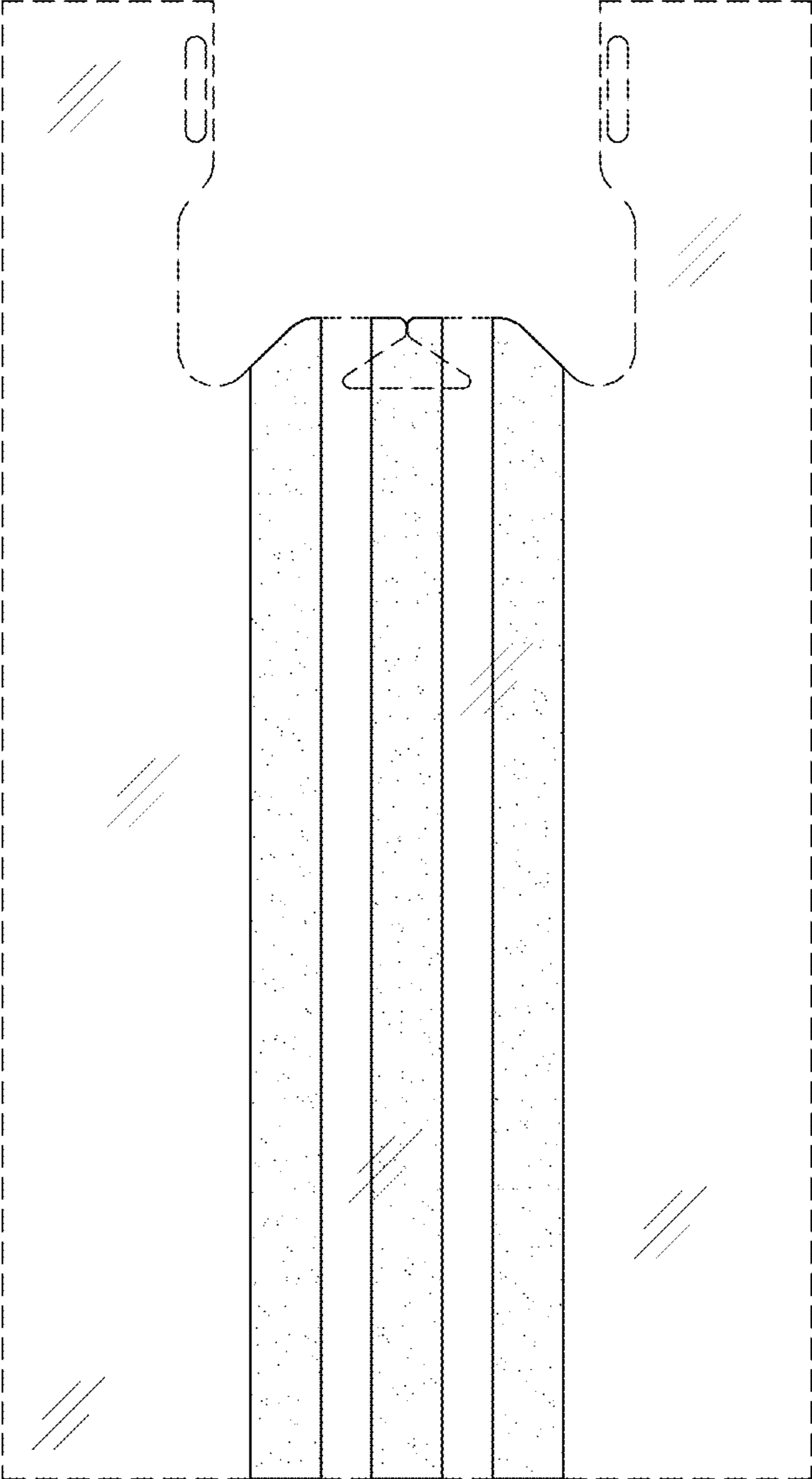


FIG. 2

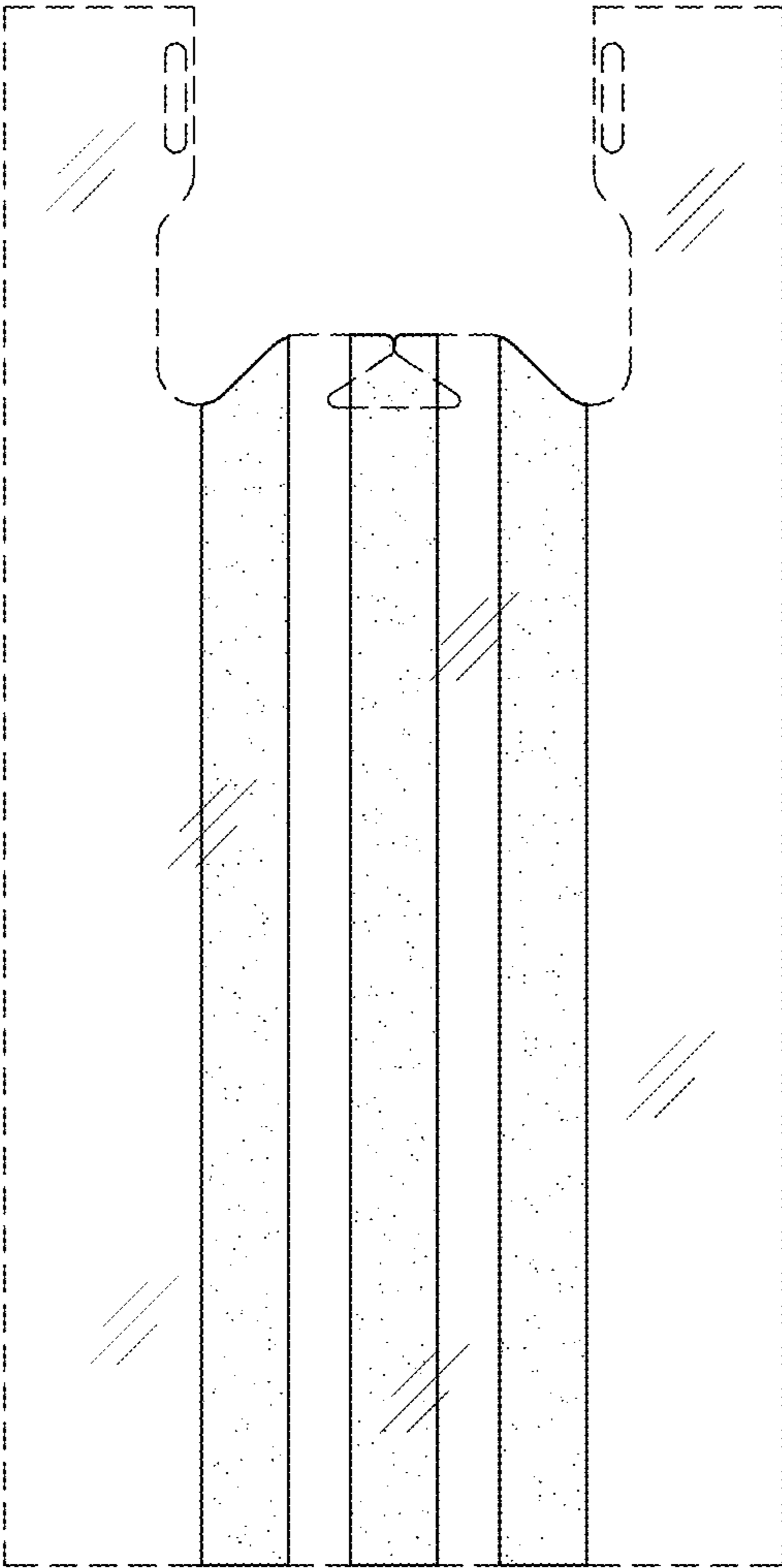


FIG. 3

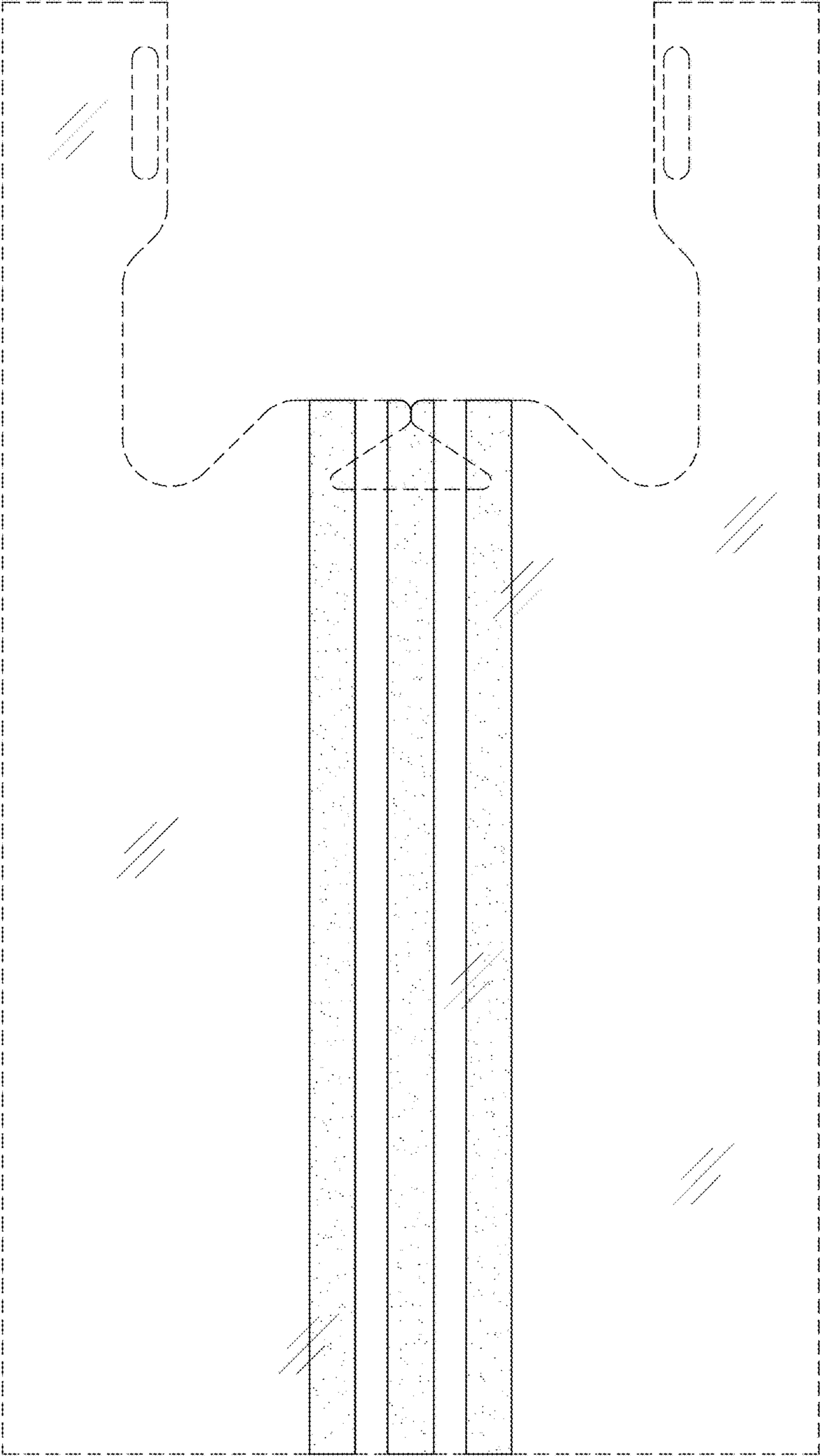


FIG. 4

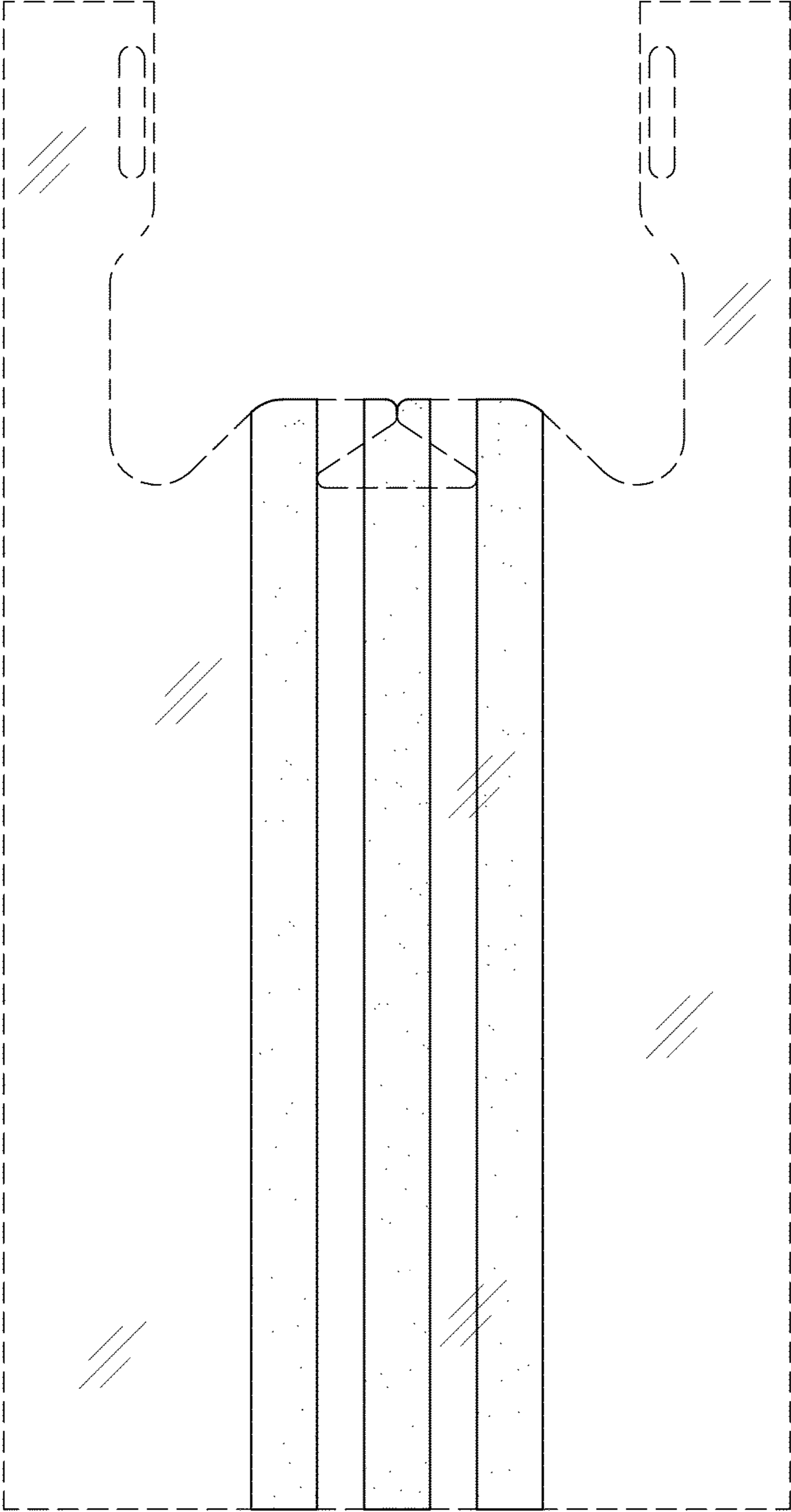


FIG. 5

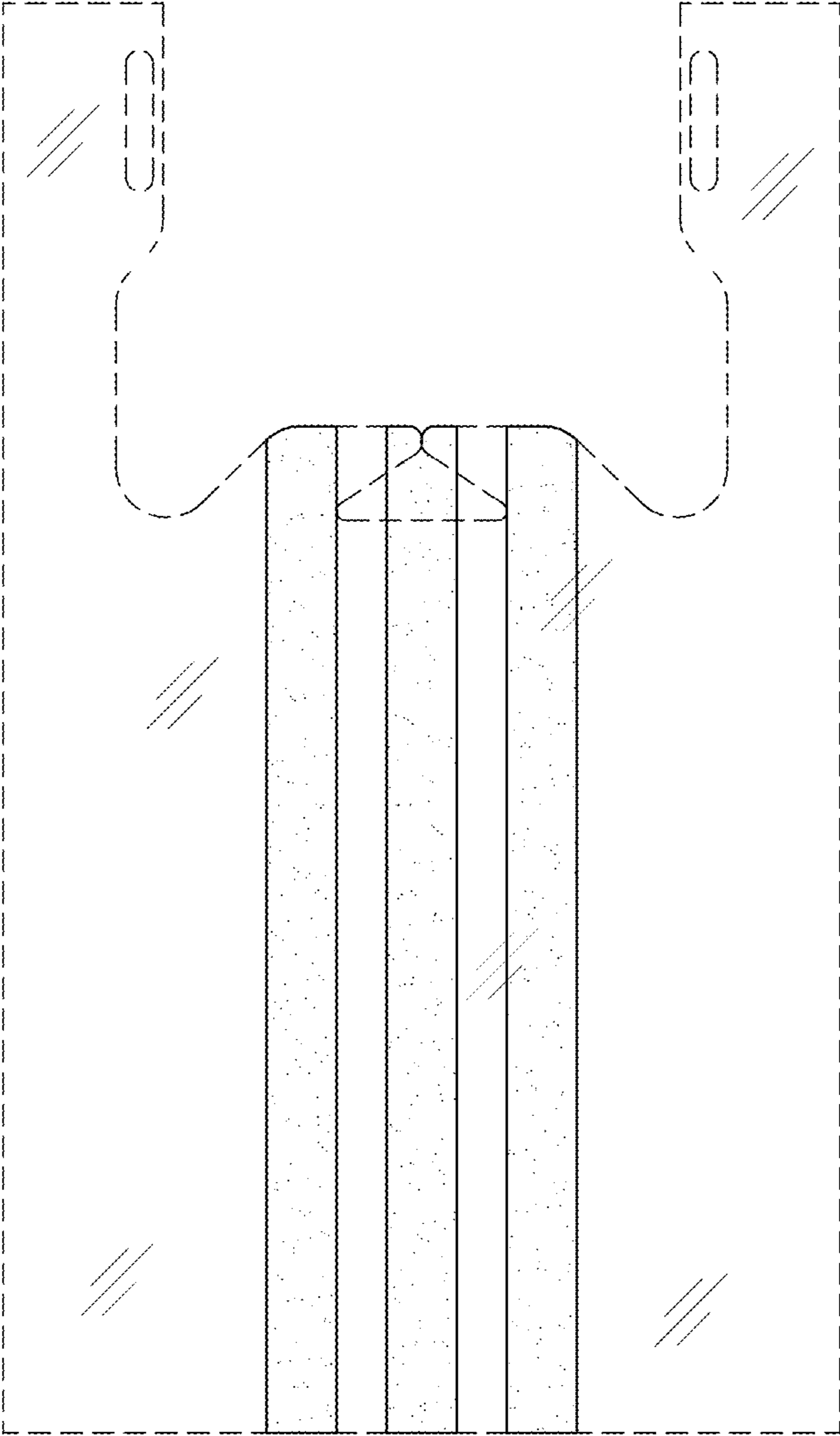


FIG. 6

