



US00D844447S

(12) **United States Design Patent**  
**Mariotti**

(10) **Patent No.:** **US D844,447 S**

(45) **Date of Patent:** **\*\* Apr. 2, 2019**

(54) **PACKAGE WITH SURFACE ORNAMENTATION**

(71) Applicant: **Société des Produits Nestlé S.A.,**  
Vevey (CH)

(72) Inventor: **Béatrice Mariotti, Suresnes (FR)**

(73) Assignee: **Société des Produits Nestlé S.A.,**  
Vevey (CH)

(\*\*) Term: **15 Years**

(21) Appl. No.: **29/630,575**

(22) Filed: **Dec. 21, 2017**

(30) **Foreign Application Priority Data**

Jun. 22, 2017 (CH) ..... 143298

(51) **LOC (11) Cl.** ..... **09-01**

(52) **U.S. Cl.**  
USPC ..... **D9/643; D9/434**

(58) **Field of Classification Search**

USPC ..... D3/270, 271.1–271.4; D7/510, 514–520,  
D7/599, 604, 613, 619.2, 623, 628;  
D9/600, 643–647, 652, 414–418,  
D9/430–434; 206/457, 459.5, 527;  
215/381–384, 400; D20/23  
CPC ..... B65D 5/42; B65D 5/4258; B65D 81/60;  
B65D 81/365; B65D 81/366; B65D  
81/368; B65D 2203/00; B65D 2203/02;  
B65D 37/00; B65D 77/00; A63H 33/16  
See application file for complete search history.

(56) **References Cited**

**U.S. PATENT DOCUMENTS**

D89,074 S \* 1/1933 Stayton ..... D9/600  
D98,822 S \* 3/1936 Beckman ..... D9/643  
D98,823 S \* 3/1936 Beckman ..... D9/643

D99,475 S \* 4/1936 Das ..... D9/643  
D100,259 S \* 7/1936 Darr ..... D9/643  
D101,596 S \* 10/1936 Dowdell ..... D9/643  
D378,056 S \* 2/1997 Park ..... D9/643  
D701,758 S \* 4/2014 Lee ..... D9/434  
D754,252 S \* 4/2016 Mariotti ..... D20/23  
D774,389 S \* 12/2016 Wang ..... D9/643

**OTHER PUBLICATIONS**

Nescafe' Dolce Gusto Espresso Packaging, dated Oct. 1, 2014.  
<https://kavove-kapsule.heureka.sk/nescafe-dolce-gusto-espresso-16-ks/polozit-otazku/>\*

\* cited by examiner

*Primary Examiner* — Sandra L Morris

(74) *Attorney, Agent, or Firm* — Finnegan, Henderson,  
Farabow, Garrett & Dunner LLP

(57) **CLAIM**

The ornamental design for a package with surface ornamentation, as shown and described.

**DESCRIPTION**

The patent or application file contains at least one drawing executed in color. Copies of this patent or patent application publication with color drawing(s) will be provided by the Office upon request and payment of the necessary fee.

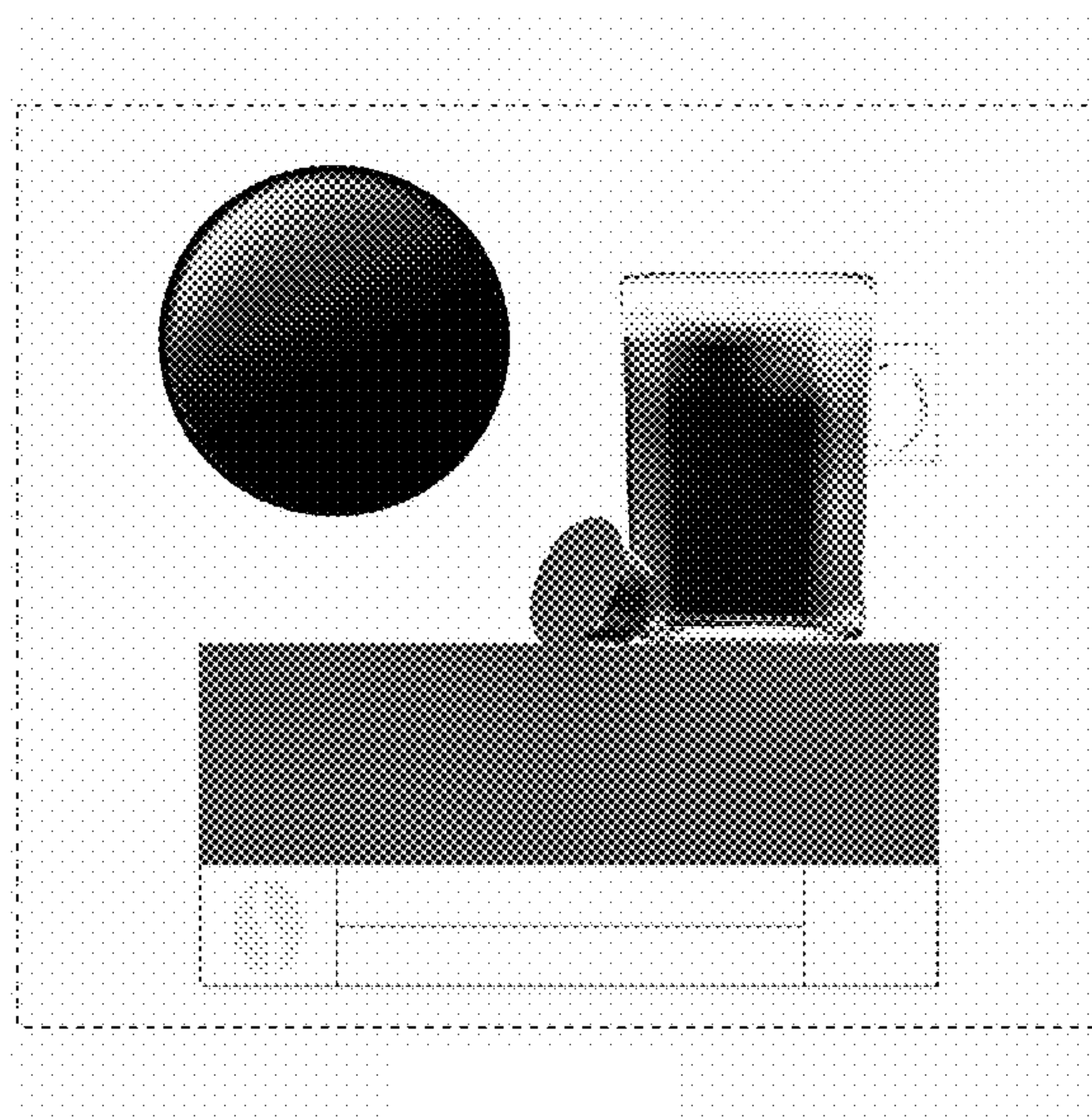
FIG. 1 is a front elevation view of a first embodiment of a package with surface ornamentation showing my new design;

FIG. 2 is a front elevation view of a second embodiment of a package with surface ornamentation; and,

FIG. 3 is a front elevation view of a third embodiment of a package with surface ornamentation.

The dash-dash broken lines define the boundary of the claimed design and form no part of the claimed design.

**1 Claim, 3 Drawing Sheets**  
**(3 of 3 Drawing Sheet(s) Filed in Color)**



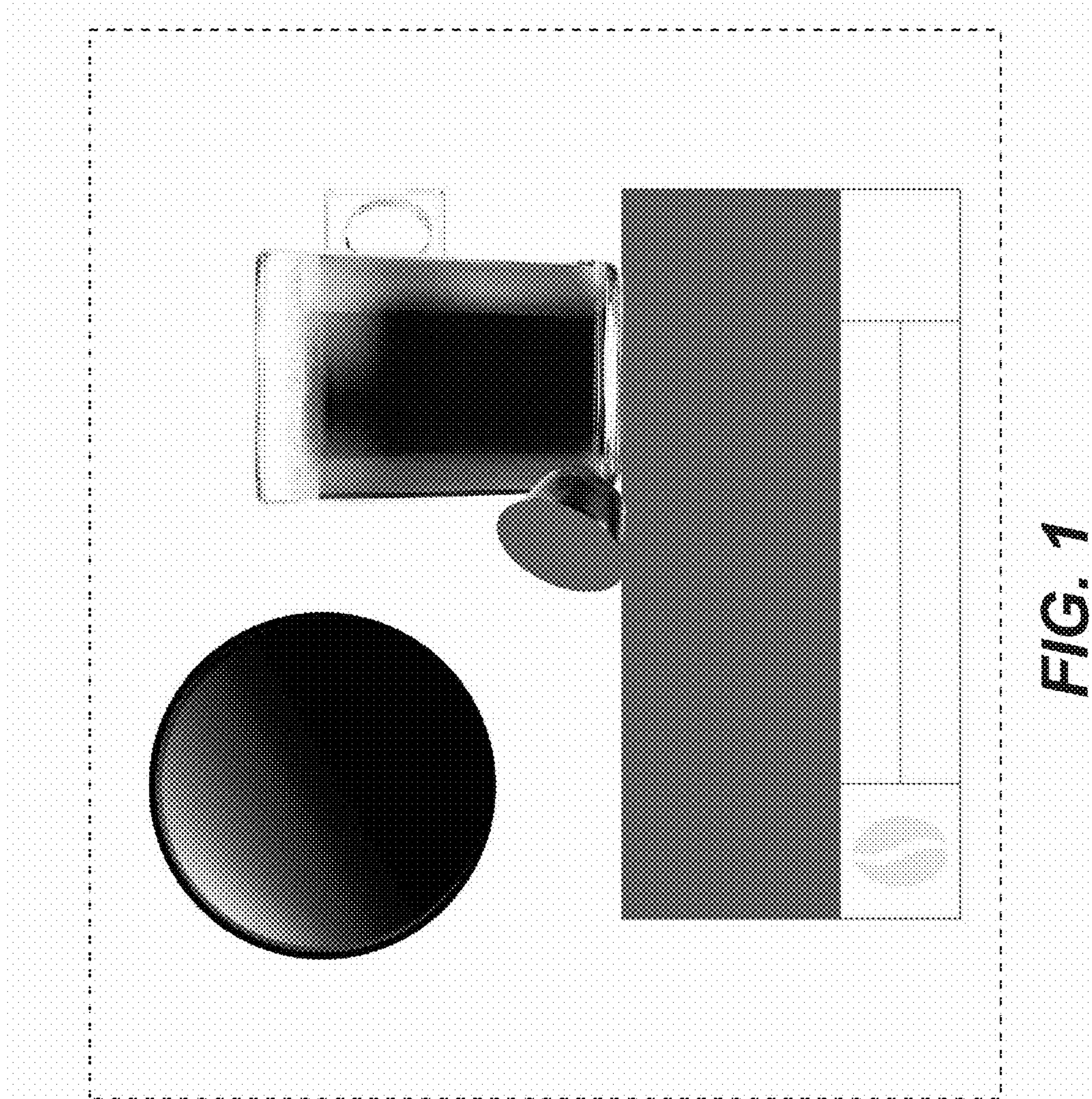


FIG. 1



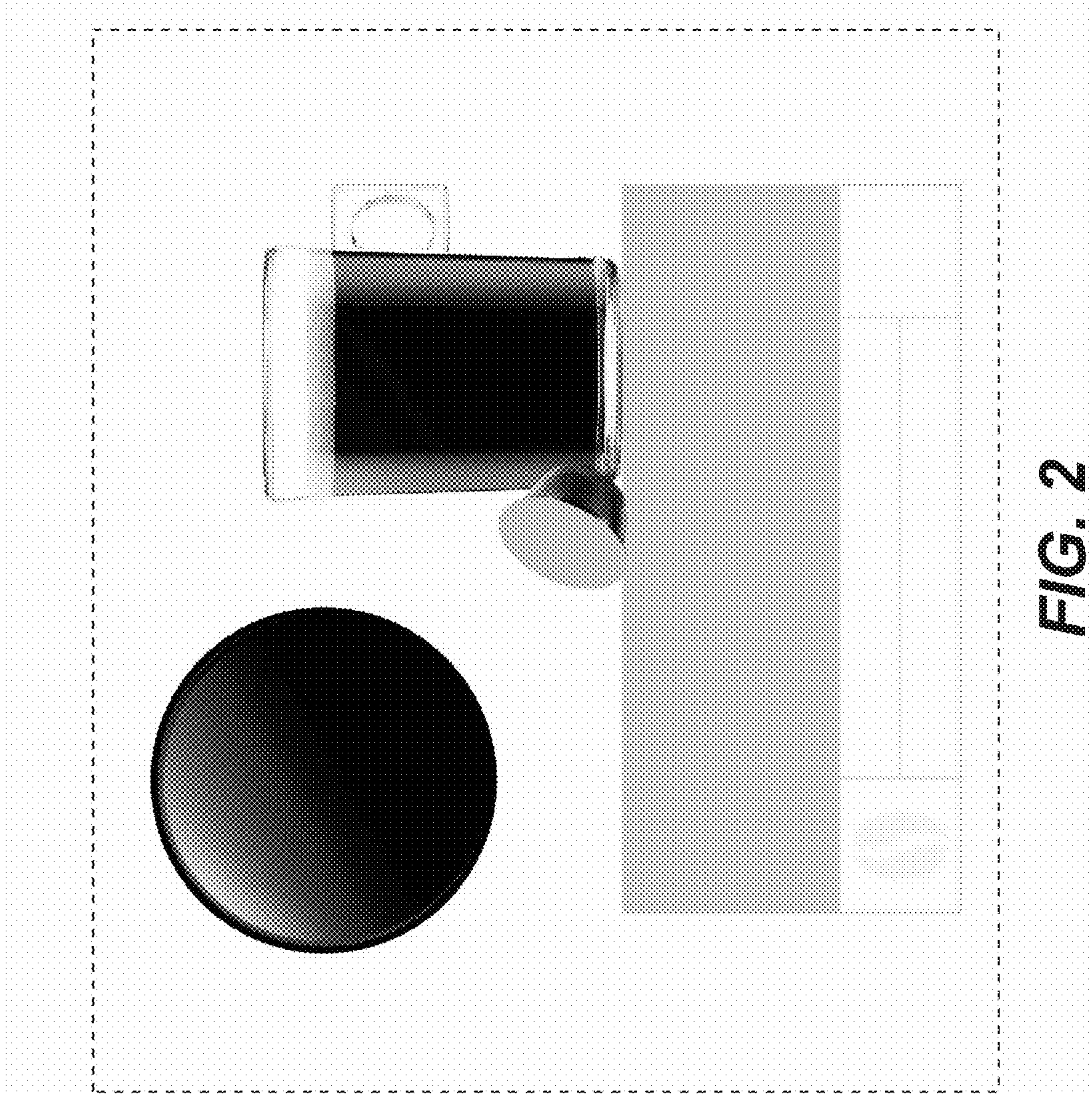


FIG. 2

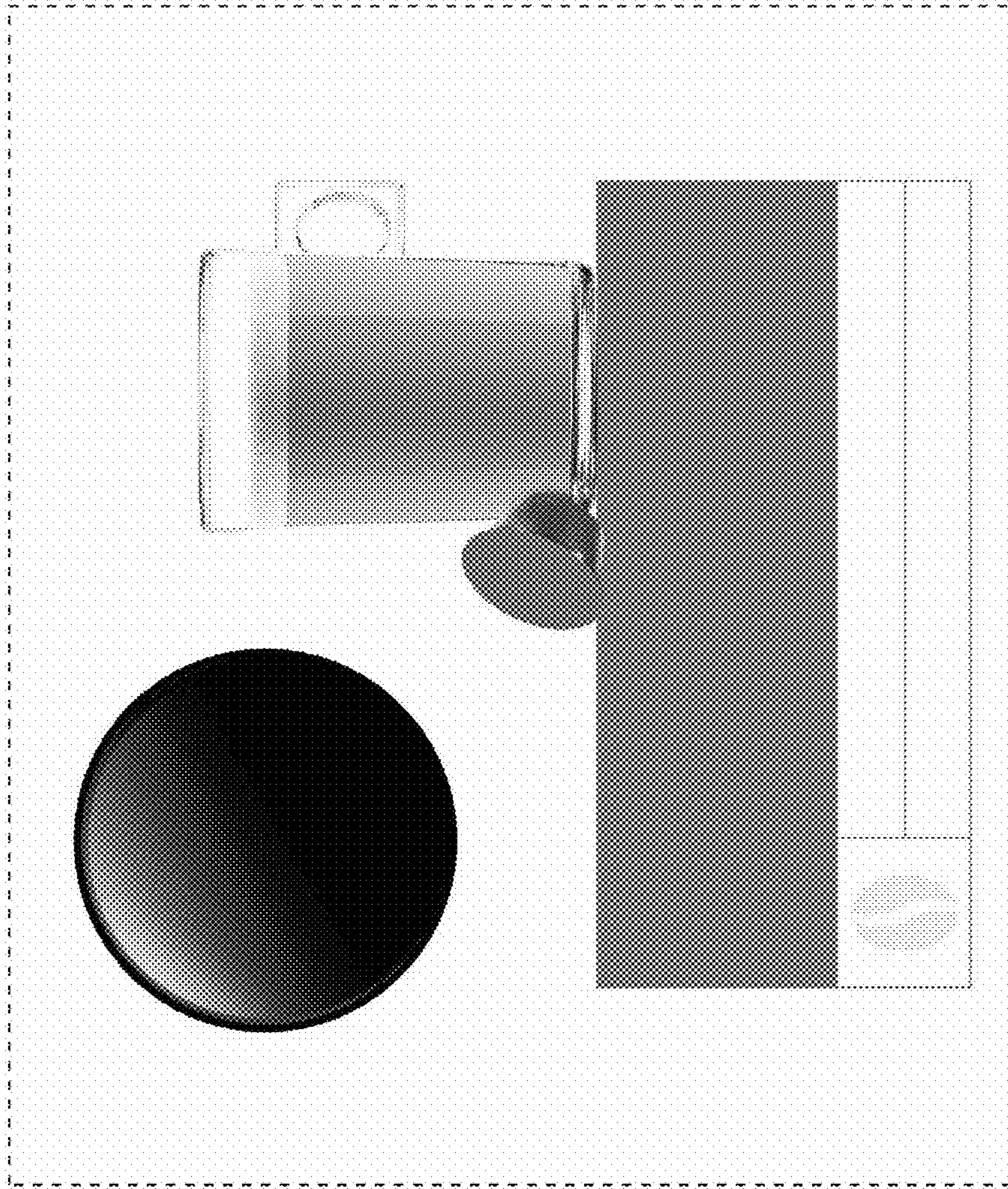


FIG. 3