



US00D844441S

(12) **United States Design Patent** (10) **Patent No.:** **US D844,441 S**  
**DeMarco et al.** (45) **Date of Patent:** **\*\* Apr. 2, 2019**

(54) **COSMETIC CONTAINER**  
(71) Applicant: **Mary Kay Inc.**, Addison, TX (US)  
(72) Inventors: **Jenny DeMarco**, Frisco, TX (US);  
**Tammy Schriewer**, Addison, TX (US)  
(73) Assignee: **Mary Kay Inc.**, Addison, TX (US)  
(\*\*) Term: **15 Years**  
(21) Appl. No.: **29/610,191**  
(22) Filed: **Jul. 10, 2017**

2,793,012 A 5/1957 Wolf ..... 366/248  
D189,374 S 11/1960 Harris ..... 9/504  
3,464,599 A 9/1969 Meth ..... 222/589  
D237,926 S 12/1975 Katzander ..... 6/529  
D240,887 S 8/1976 Daenen ..... 7/316  
D253,037 S 10/1979 Barouh ..... 9/504  
D271,082 S 10/1983 Jackson ..... 9/651  
D278,598 S 4/1985 Weber ..... 9/504  
D285,655 S 9/1986 MachLaughlin et al. .... 9/500  
(Continued)

**FOREIGN PATENT DOCUMENTS**

CN 91302498.8 9/1992  
CN 97330350.6 12/1998  
(Continued)

**Related U.S. Application Data**

(60) Continuation of application No. 29/537,050, filed on Aug. 21, 2015, now Pat. No. Des. 795,075, which is a division of application No. 29/502,064, filed on Sep. 11, 2014, now Pat. No. Des. 739,739.  
(51) **LOC (11) Cl.** ..... **09-01**  
(52) **U.S. Cl.**  
USPC ..... **D9/504**; D9/451; D9/454  
(58) **Field of Classification Search**  
USPC ..... D9/434-435, 444-445, 451, 454, 500,  
D9/503-505, 516, 529-530, 537, 539,  
D9/544-545, 549, 558, 682, 686,  
D9/688-691, 715, 719; D28/4, 8, 73,  
D28/76-77  
CPC ..... B65D 1/00; B65D 1/02; B65D 1/0207;  
B65D 1/0223; B65D 1/10; B65D 23/00;  
B65D 2501/00; B65D 2501/0009  
See application file for complete search history.

**OTHER PUBLICATIONS**

“A New Beauty Brand is Born; The Estée Lauder Companies Inc. Unveils Osiao” Emirates Week, Oct. 3, 2012. Web. Dec. 27, 2013. <http://www.emiratesweek.com/2012/10/29294>.  
(Continued)

*Primary Examiner* — Dana Meyrow  
(74) *Attorney, Agent, or Firm* — Norton Rose Fulbright US LLP

(57) **CLAIM**

The ornamental design for a cosmetic container, as shown and described.

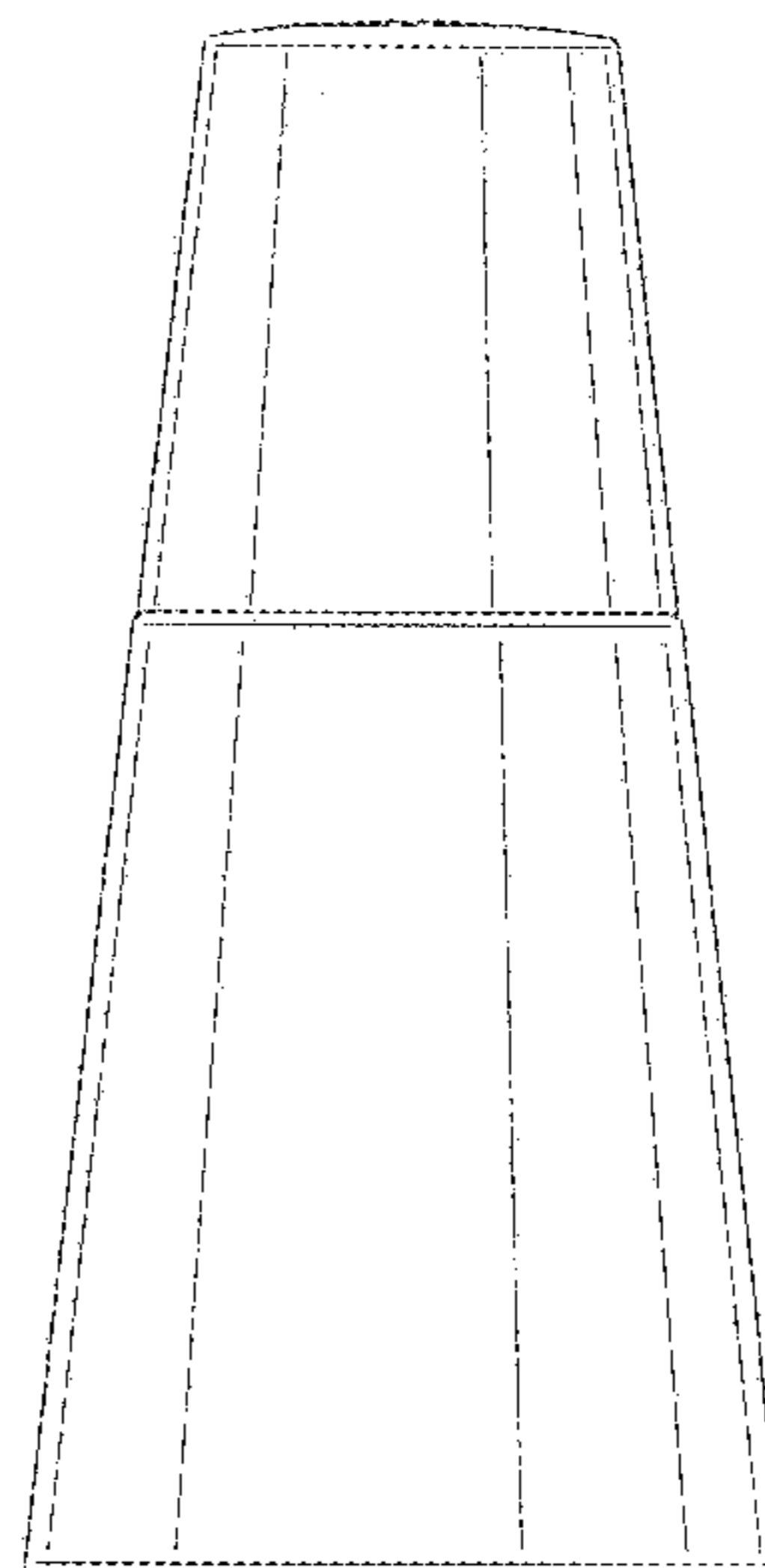
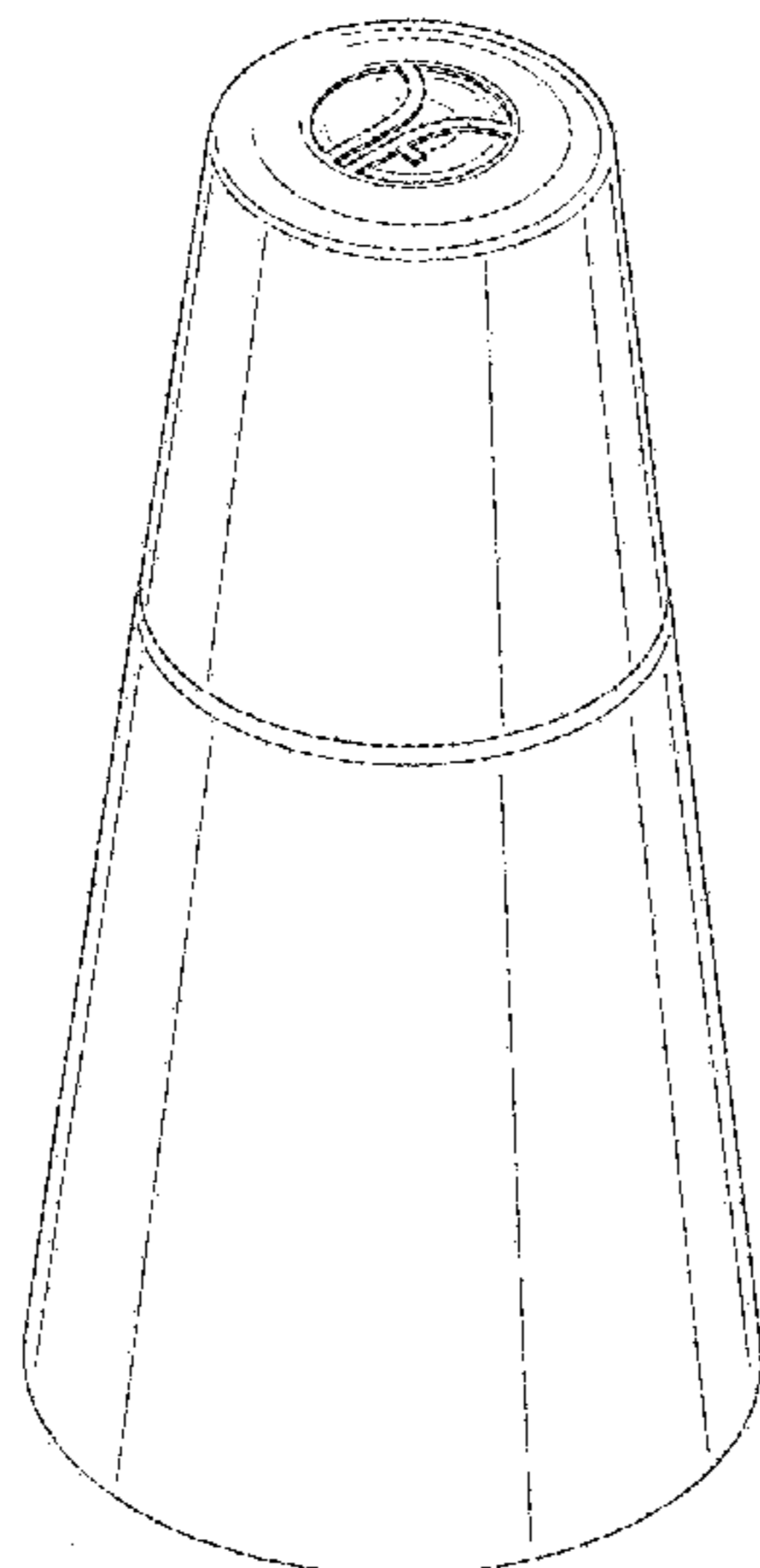
**DESCRIPTION**

FIG. 1 is a perspective view of a cosmetic container showing our new design;  
FIG. 2 is a front elevation view thereof;  
FIG. 3 is a rear elevation view thereof;  
FIG. 4 is a right side elevation view thereof;  
FIG. 5 is a left side elevation view thereof; and,  
FIG. 6 is a top plan view thereof.

**1 Claim, 6 Drawing Sheets**

(56) **References Cited**  
U.S. PATENT DOCUMENTS

D59,583 S 7/1921 Green ..... 9/777  
2,068,759 A 1/1937 La Douce ..... 222/42  
D131,202 S \* 1/1942 Vevirit ..... D27/190  
D139,381 S 11/1944 Harris ..... 9/504  
2,711,766 A 6/1955 Archer et al. .... 220/62.18



(56)

References Cited

U.S. PATENT DOCUMENTS

D355,098 S 2/1995 Lin ..... 7/605  
 D372,644 S 8/1996 Husted ..... 7/679  
 D373,730 S 9/1996 Baron ..... 9/504  
 D402,894 S 12/1998 Elia ..... 9/504  
 D405,003 S 2/1999 Dapsanse ..... 9/663  
 D406,921 S 3/1999 Roeder ..... 28/7  
 D423,924 S 5/2000 Laracy ..... 9/692  
 D434,324 S 11/2000 Gobe ..... 9/504  
 D446,123 S 8/2001 Sobati ..... 9/516  
 D446,728 S 8/2001 Bakic ..... 9/558  
 D460,545 S 7/2002 Hautmann et al. .... 23/366  
 D463,262 S 9/2002 Gobe ..... 9/689  
 D465,410 S 11/2002 Kikuchi ..... 9/691  
 D470,235 S \* 2/2003 Kumar ..... D24/121  
 D470,273 S 2/2003 Revivo ..... 28/76  
 D472,147 S 3/2003 Herrmann ..... 9/504  
 D483,671 S 12/2003 Pinnavaia ..... 9/500  
 D484,055 S 12/2003 Feigenbaum ..... 9/500  
 D497,441 S 10/2004 Therrien et al. .... 26/9  
 D505,074 S 5/2005 Bakic ..... 9/504  
 D522,369 S 6/2006 Penn ..... 9/520  
 D525,167 S 7/2006 Katznelson ..... 11/153  
 D531,041 S 10/2006 Sauer et al. .... 9/529  
 D541,159 S 4/2007 Robinson ..... 9/516  
 D542,665 S 5/2007 Poe, II ..... 9/529  
 D543,458 S 5/2007 Dittmer et al. .... 9/504  
 D544,352 S 6/2007 Dittmer et al. .... 9/504  
 D545,678 S 7/2007 Dittmer et al. .... 9/504  
 D547,661 S 7/2007 Blasko et al. .... 9/529  
 D548,084 S 8/2007 Dittmer et al. .... 9/504  
 D567,090 S 4/2008 Swint et al. .... 9/504  
 D571,663 S 6/2008 Bakic ..... 9/500  
 D581,279 S 11/2008 Oates ..... 9/529  
 D595,136 S 6/2009 Canamasas Puigbo ..... 9/529  
 D603,266 S 11/2009 Dibnah et al. .... 9/529  
 D604,163 S 11/2009 Nelson et al. .... 9/504  
 D605,943 S 12/2009 Mueller et al. .... 9/516  
 D613,174 S 4/2010 Pecora ..... 9/529  
 D615,404 S 5/2010 Pitzer et al. .... 9/500  
 D615,868 S 5/2010 Rodriguez et al. .... 9/529  
 D620,807 S 8/2010 Wang Treadway et al. .... 9/691  
 D627,650 S 11/2010 Yeung ..... 9/504  
 D634,977 S 3/2011 Mouquet ..... 7/598  
 D637,910 S 5/2011 Yeung ..... 9/504  
 D638,710 S 5/2011 Yeung ..... 9/504  
 D640,925 S 7/2011 Rodriguez et al. .... 9/529  
 D641,245 S 7/2011 Rodriguez et al. .... 9/529  
 D641,257 S 7/2011 Thiebaut et al. .... 9/738  
 D649,629 S 11/2011 Ritzenhoff ..... 23/366  
 D651,900 S 1/2012 Ashiwa et al. .... 9/504  
 D652,319 S 1/2012 Cohen et al. .... 9/691  
 D653,123 S 1/2012 Ziegler ..... 9/773  
 D659,537 S 5/2012 Ritzenhoff ..... 9/500

D674,698 S 1/2013 Mongeon et al. .... 9/504  
 D685,637 S 7/2013 Colon et al. .... 9/500  
 D685,639 S 7/2013 Colon et al. .... 9/504  
 D687,303 S 8/2013 Colon et al. .... 9/504  
 D702,555 S 4/2014 Park ..... 9/504  
 D703,055 S 4/2014 Park ..... 9/504  
 D721,967 S 2/2015 DeMarco ..... 9/504  
 D728,382 S 5/2015 Goswell ..... 9/745  
 D739,739 S 9/2015 DeMarco et al. .... 9/504  
 D739,741 S 9/2015 Staab ..... 9/504  
 1,163,805 A1 12/2015 Bonn et al. .... 215/319  
 D755,051 S 5/2016 Otani et al. .... 9/504  
 D778,733 S 2/2017 Eberlein et al. .... 9/741  
 D795,074 S \* 8/2017 Staab ..... D9/454  
 D795,075 S \* 8/2017 Staab ..... D9/451

FOREIGN PATENT DOCUMENTS

CN 99318602.5 6/2000  
 CN 1300811.0 10/2001  
 CN 3300318.1 9/2003  
 CN 03309569.8 10/2003  
 CN 2005/30004027.X 11/2005  
 CN 2006/30129937.5 5/2007  
 CN 2006/30153078.3 5/2007  
 CN 2006/30153067.5 9/2007  
 CN 2007/30115836.7 4/2008  
 CN 2008/30177004.2 9/2009  
 CN 2008/30177012.7 9/2009  
 CN 2009/30070342.0 1/2010  
 CN 2009/30007682.9 3/2010  
 CN 2009/30006647.5 6/2010  
 CN 2010/30111073.0 9/2010  
 CN 2010/30111212.X 10/2010  
 CN 2010/30588086.7 4/2011  
 CN 2011/30336500.X 2/2012  
 CN 2011/30338718.9 4/2012  
 CN 2011/30356224.3 5/2012  
 CN 2012/30122099.4 8/2012  
 JP D1443759 6/2012  
 TW D123656 7/2008  
 TW D139202 3/2011  
 TW D142590 9/2011  
 TW D147683 6/2012

OTHER PUBLICATIONS

Search Report issued in Taiwan Patent Application No. 102308280, dated Aug. 1, 2014. (English translation included).  
 Search Report issued in Taiwan Patent Application No. 103306305, dated Dec. 29, 2014 (English translation included).  
 Search Report issued in Taiwan patent Application No. 103305392, dated Feb. 24, 2015 (English translation included).

\* cited by examiner

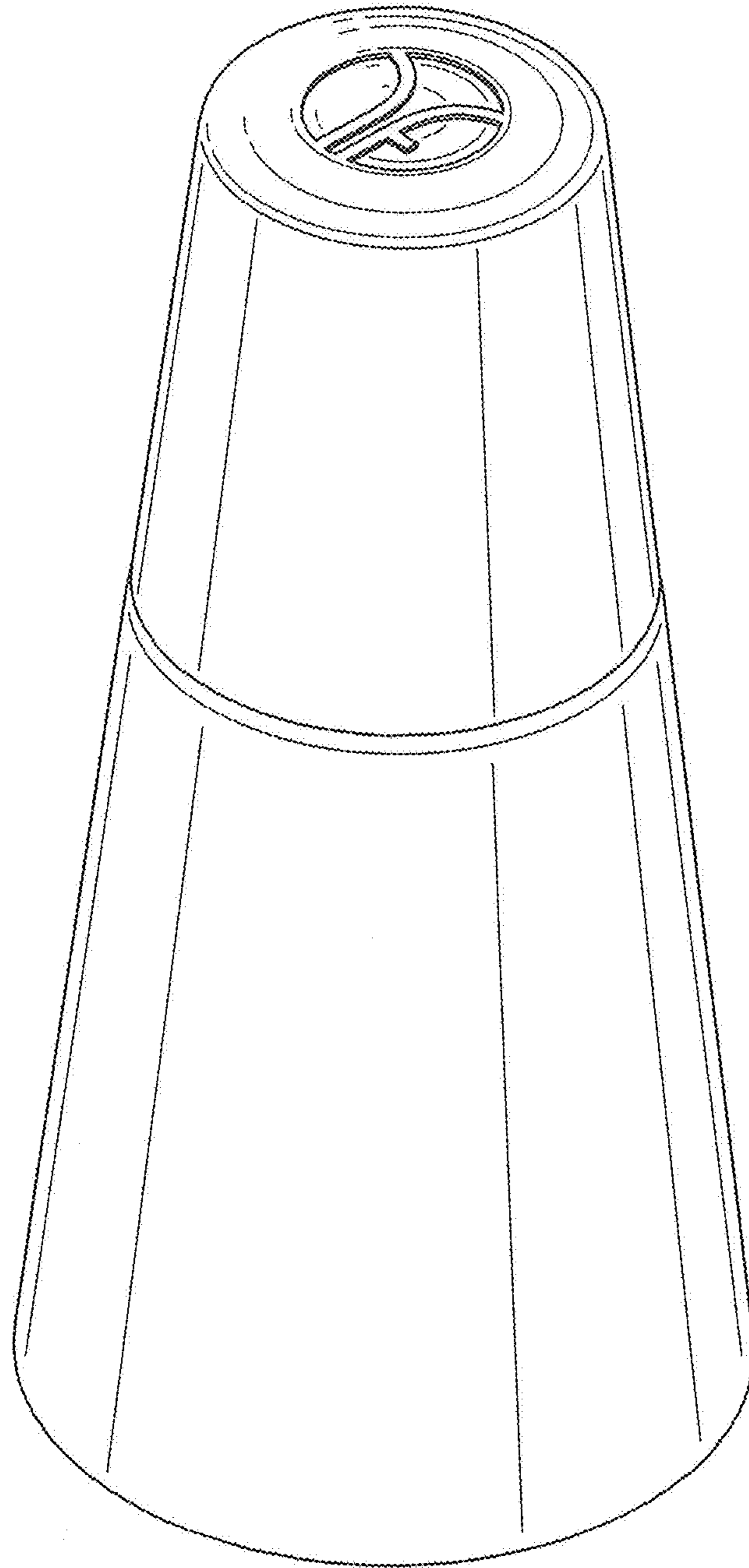


FIG. 1

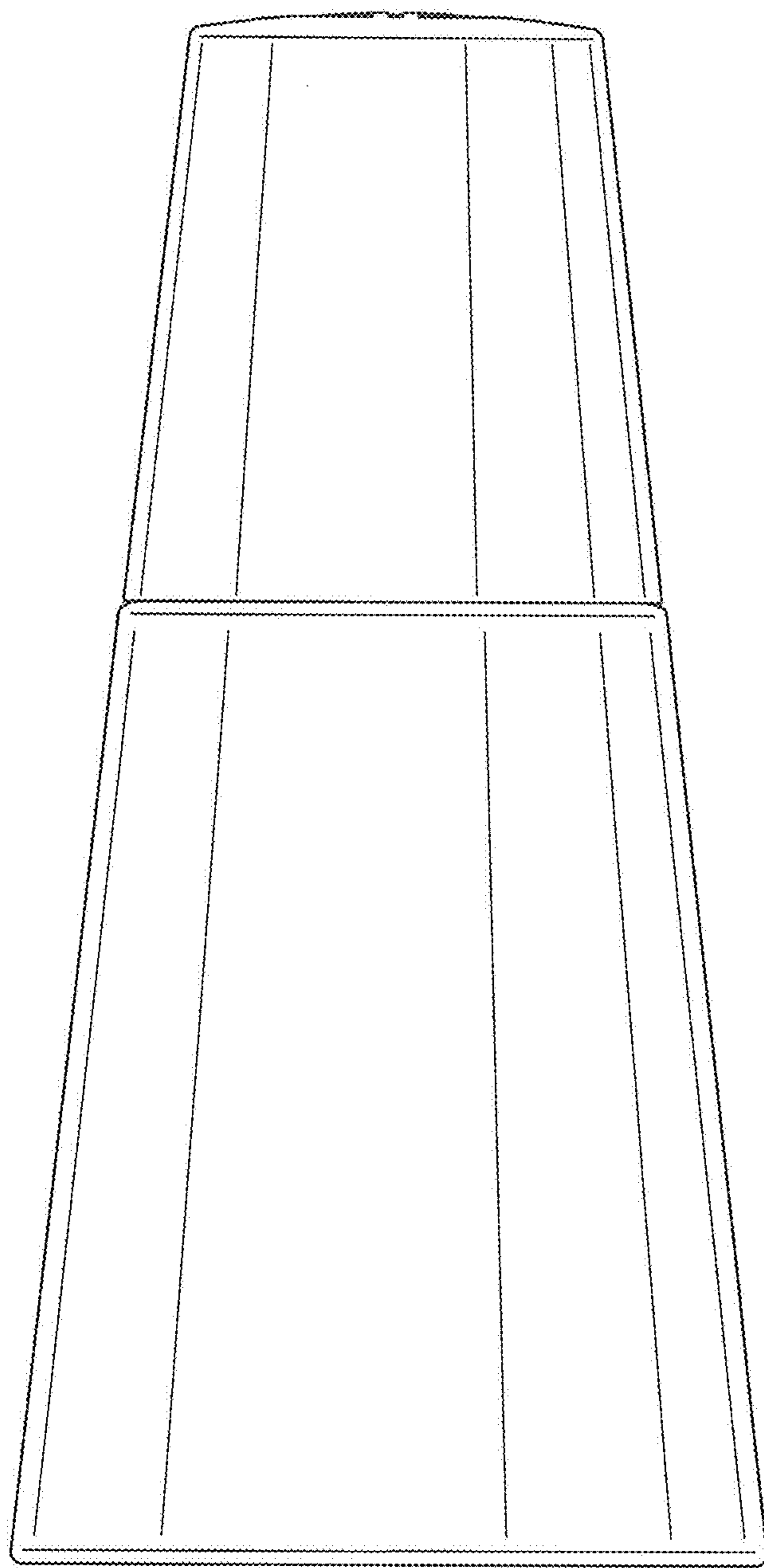


FIG. 2

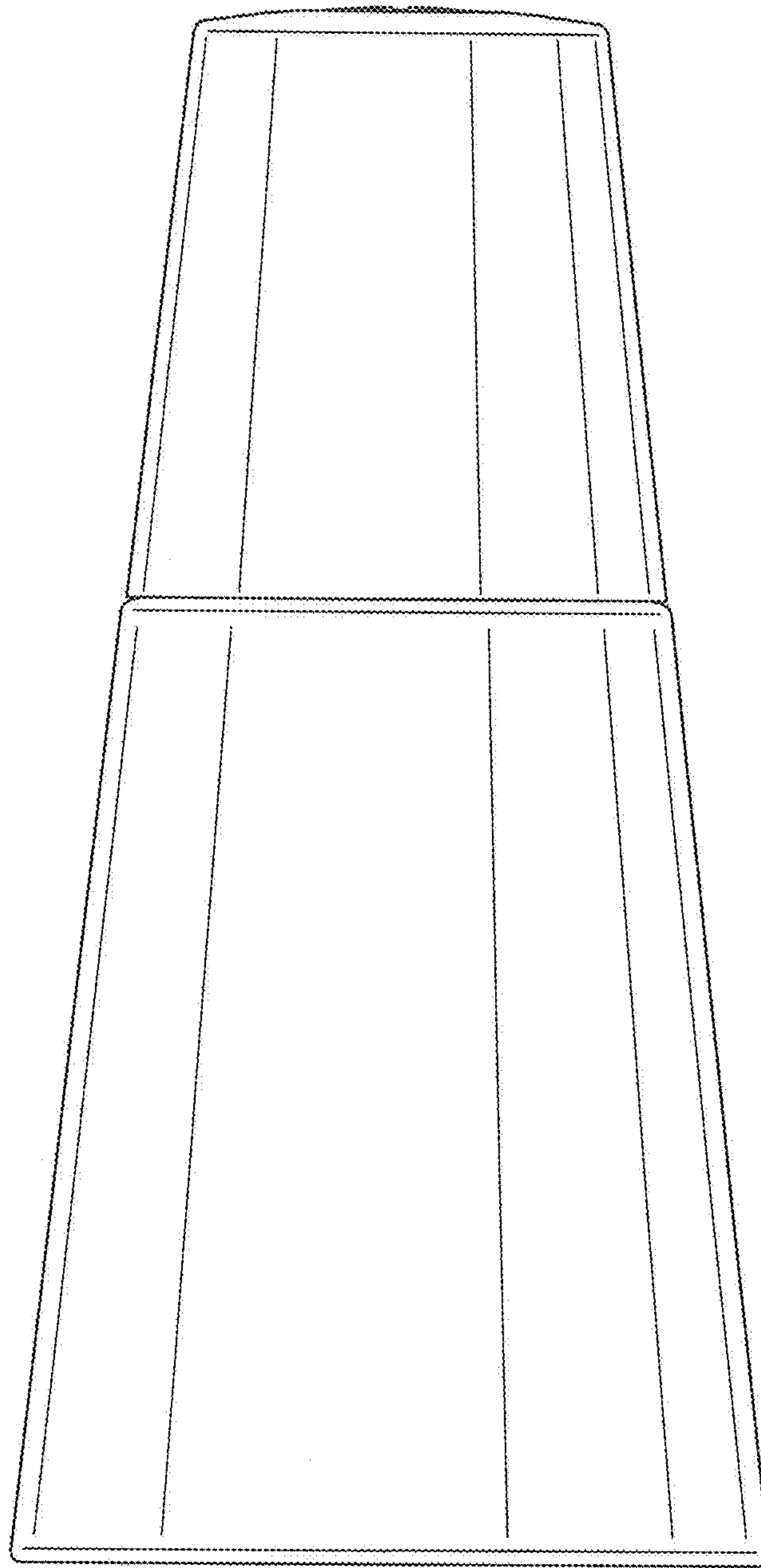


FIG. 3

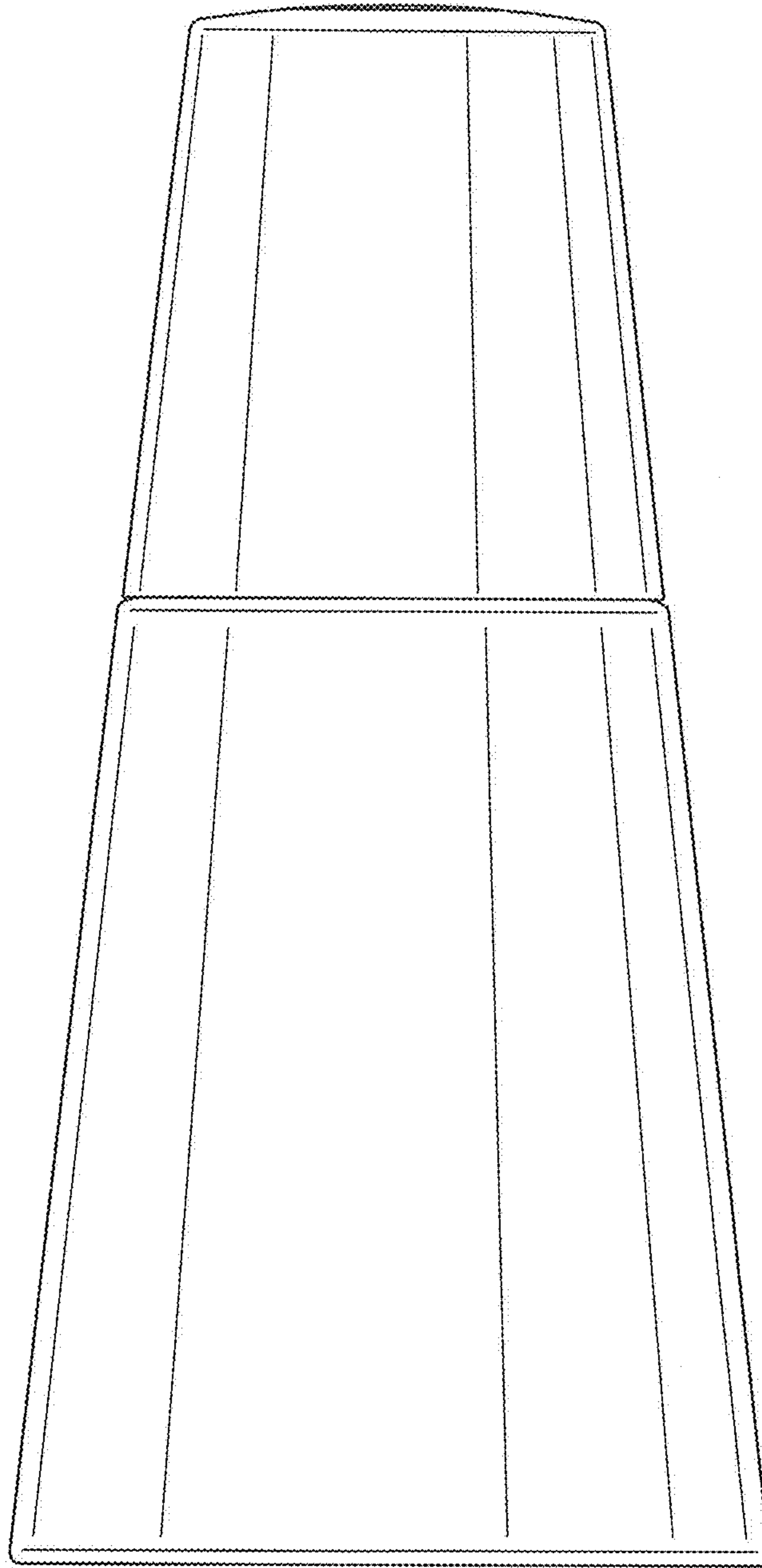


FIG. 4

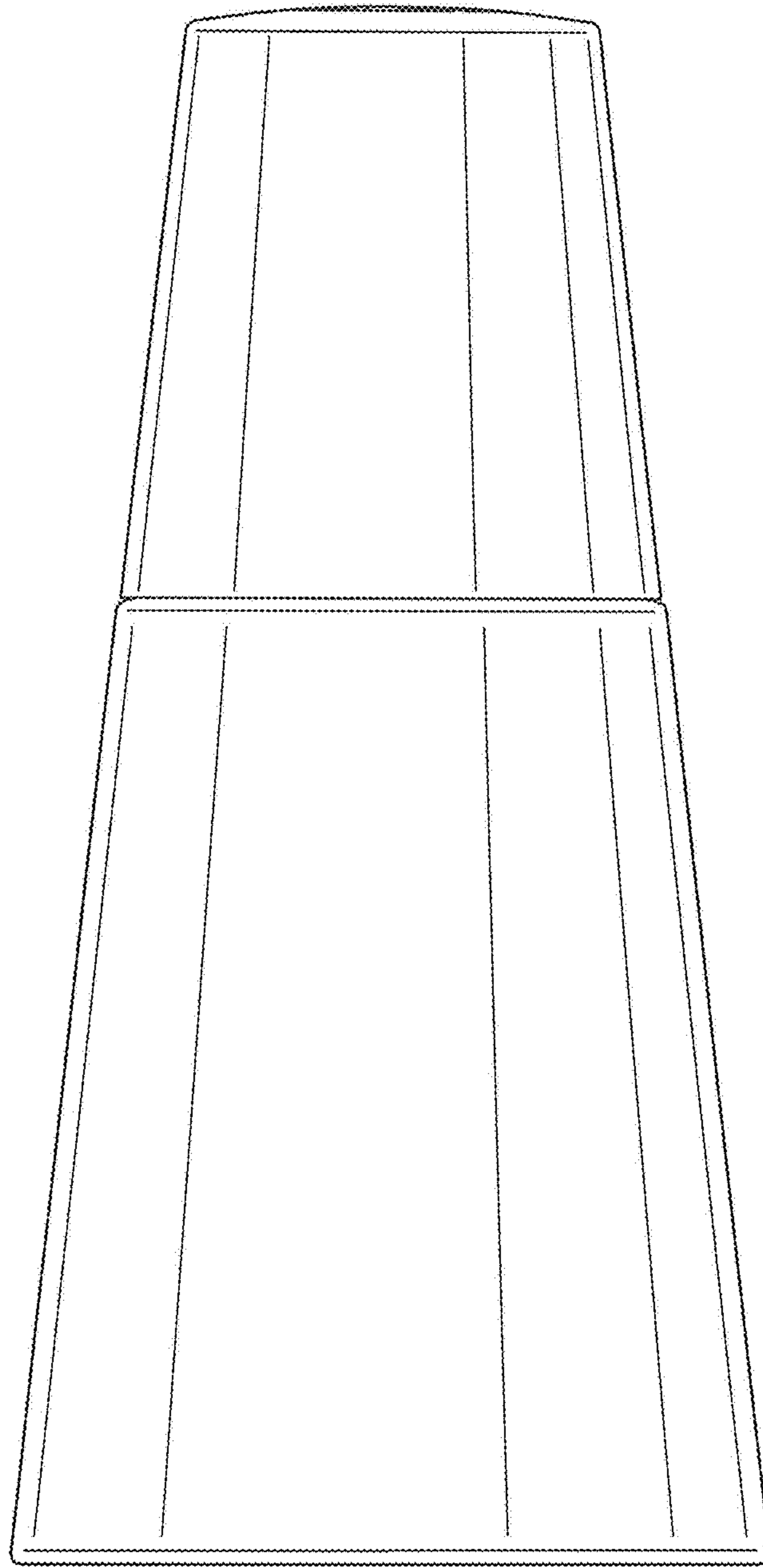


FIG. 5

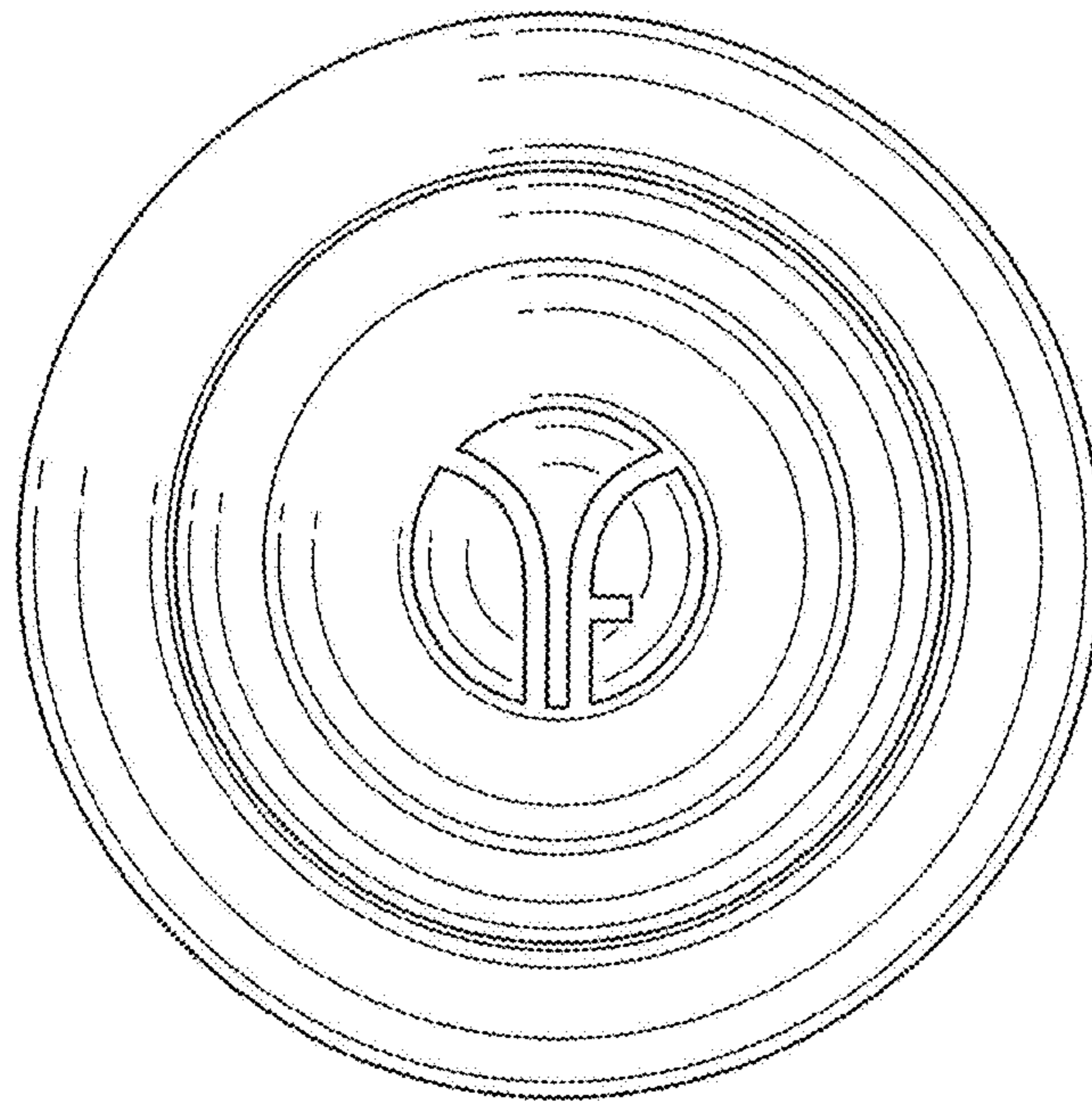


FIG. 6