

US00D844440S

(12) **United States Design Patent**  
**Allen, III**

(10) **Patent No.:** **US D844,440 S**

(45) **Date of Patent:** **\*\* Apr. 2, 2019**

(54) **BOTTLE**

(71) Applicant: **Lifetime Brands, Inc.**, Garden City, NY (US)

(72) Inventor: **Harry S. Allen, III**, New York, NY (US)

(73) Assignee: **Lifetime Brands, Inc.**, Garden City, NY (US)

(\*\*) Term: **15 Years**

(21) Appl. No.: **29/600,754**

(22) Filed: **Apr. 14, 2017**

(51) **LOC (11) Cl.** ..... **09-01**

(52) **U.S. Cl.**

USPC ..... **D9/504**; D9/454; D9/520

(58) **Field of Classification Search**

USPC ..... D9/434-435, 444-445, 454, 500, D9/503-505, 516, 529-530, 537, 539, D9/549, 558, 682, 686, 688-691, 715, D9/719

CPC ..... B65D 1/00; B65D 1/02; B65D 1/0223; B65D 23/00; B65D 81/00; B65D 2501/00; B65D 2501/0009

See application file for complete search history.

(56) **References Cited**

**U.S. PATENT DOCUMENTS**

D78,628 S \* 5/1929 Kart ..... D9/500  
D81,520 S \* 7/1930 Bromiley ..... D9/500

D217,758 S \* 6/1970 Schweickart ..... D9/503  
D219,125 S \* 11/1970 Gortz ..... D9/691  
D443,202 S \* 6/2001 Boussiquet ..... D9/500  
D445,328 S \* 7/2001 Boussiquet ..... D9/500  
D449,001 S \* 10/2001 Boussiquet ..... D9/539  
D615,405 S \* 5/2010 Bakic ..... D9/503  
D647,402 S \* 10/2011 Uribe Juarez ..... D9/504  
D671,422 S \* 11/2012 Thurin ..... D9/689  
D752,391 S \* 3/2016 Hatherell ..... D7/510  
D772,070 S \* 11/2016 Broen ..... D9/415  
D795,645 S \* 8/2017 Peng ..... D7/510  
D796,327 S \* 9/2017 Walbroel ..... D9/503  
D796,328 S \* 9/2017 Walbroel ..... D9/503

\* cited by examiner

*Primary Examiner* — Dana Meyrow

(74) *Attorney, Agent, or Firm* — Tutunjian & Bitetto, P.C.

(57) **CLAIM**

The ornamental design for a bottle, as shown and described.

**DESCRIPTION**

FIG. 1 is a perspective view of the bottle showing my new design;

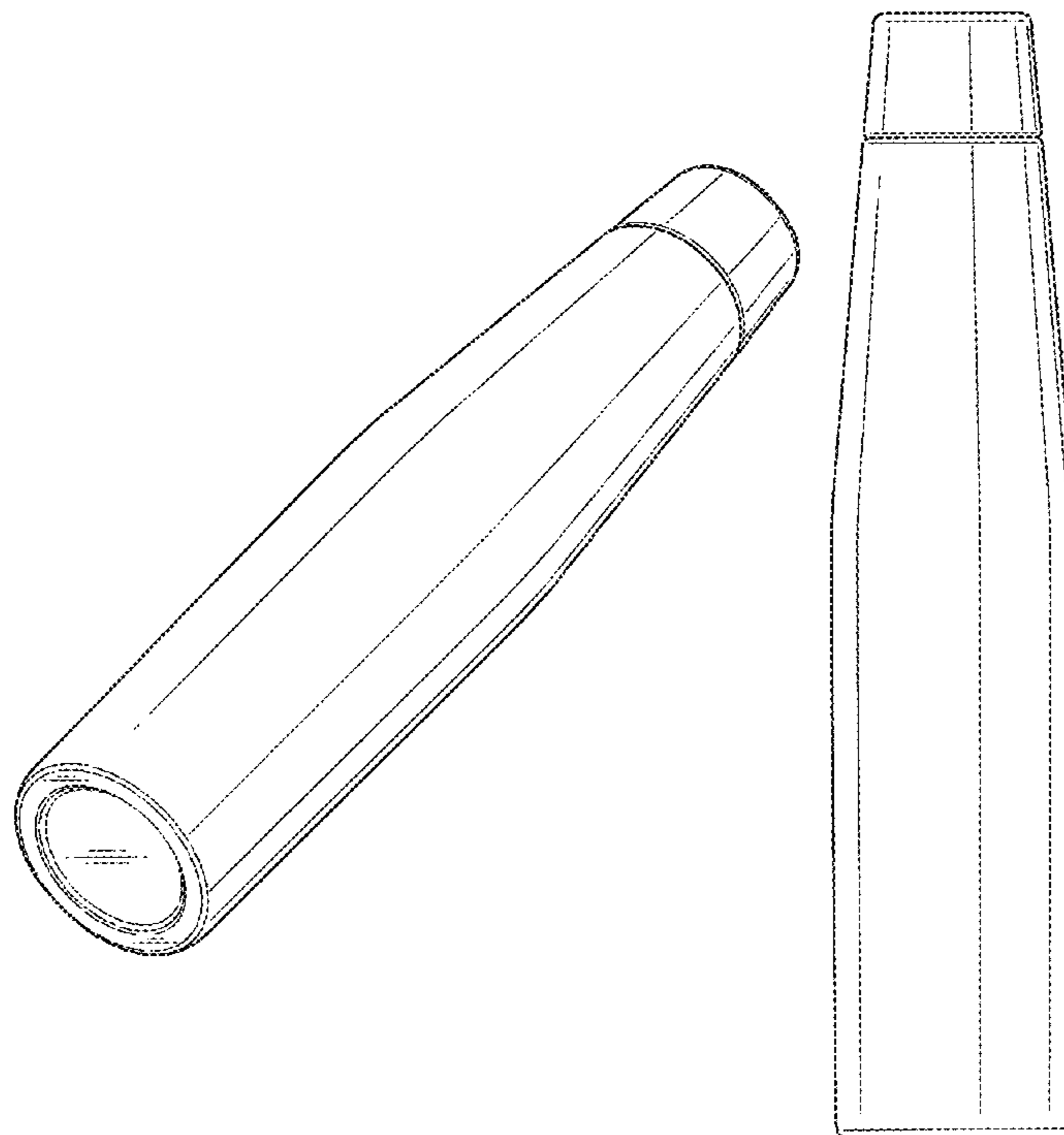
FIG. 2 is another perspective view thereof;

FIG. 3 is a side view thereof, all side views being identical;

FIG. 4 is a top view thereof; and,

FIG. 5 is a bottom view thereof.

**1 Claim, 2 Drawing Sheets**



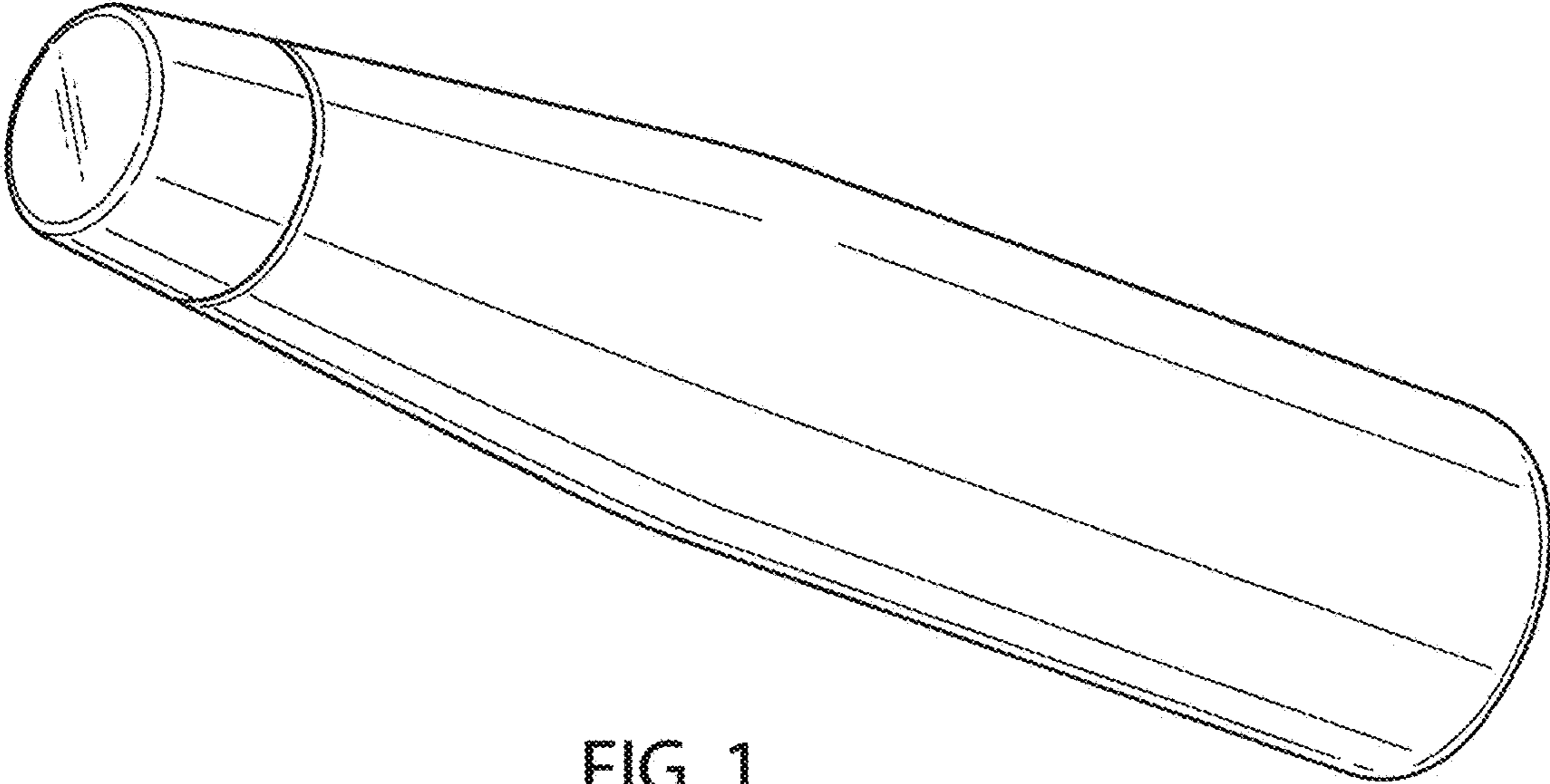


FIG. 1

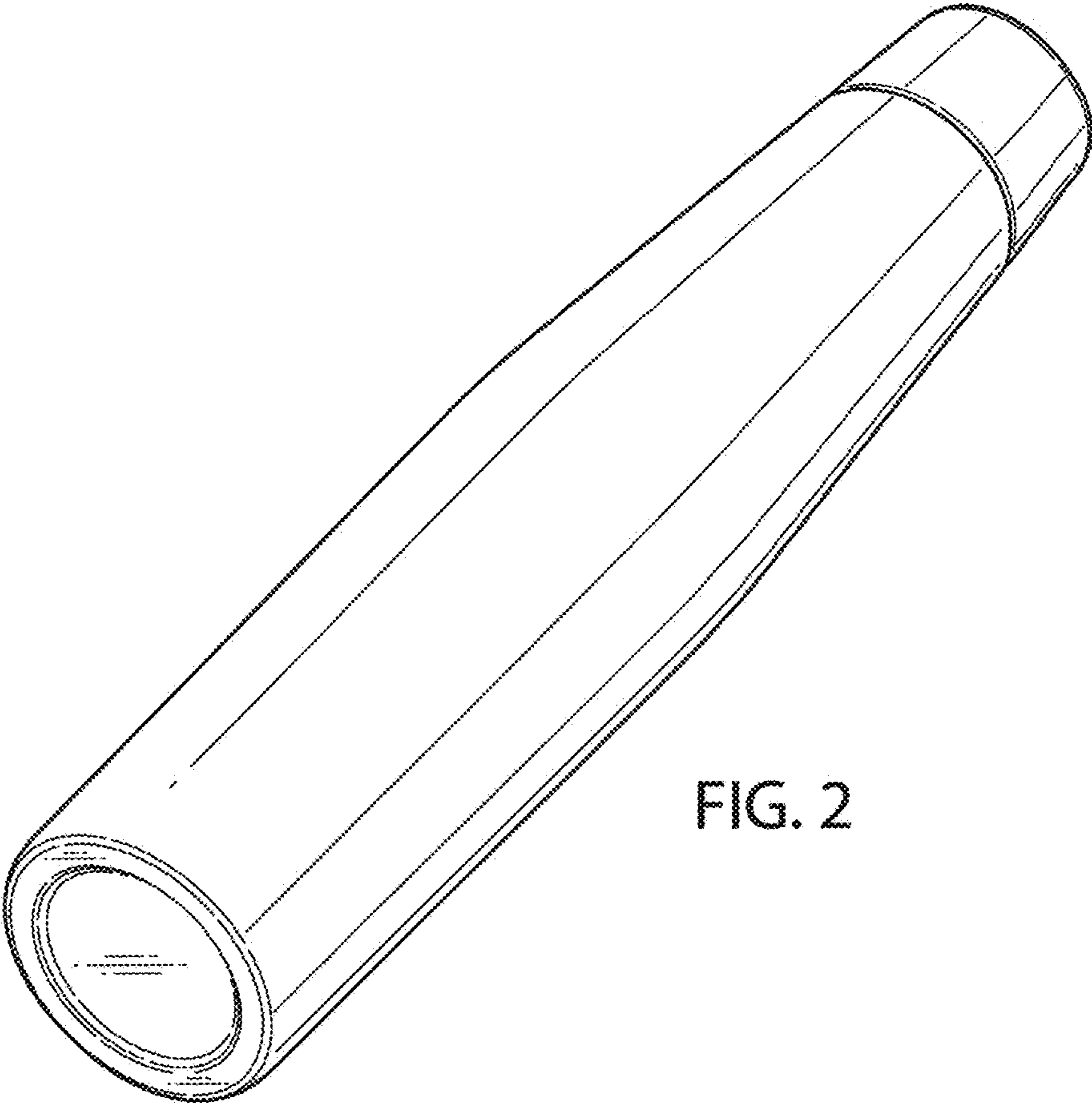


FIG. 2

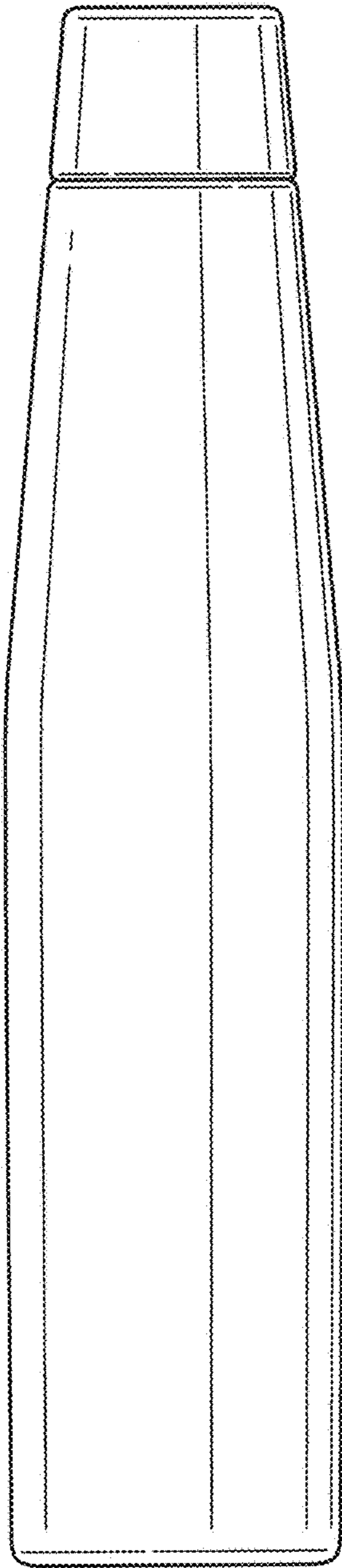


FIG. 3

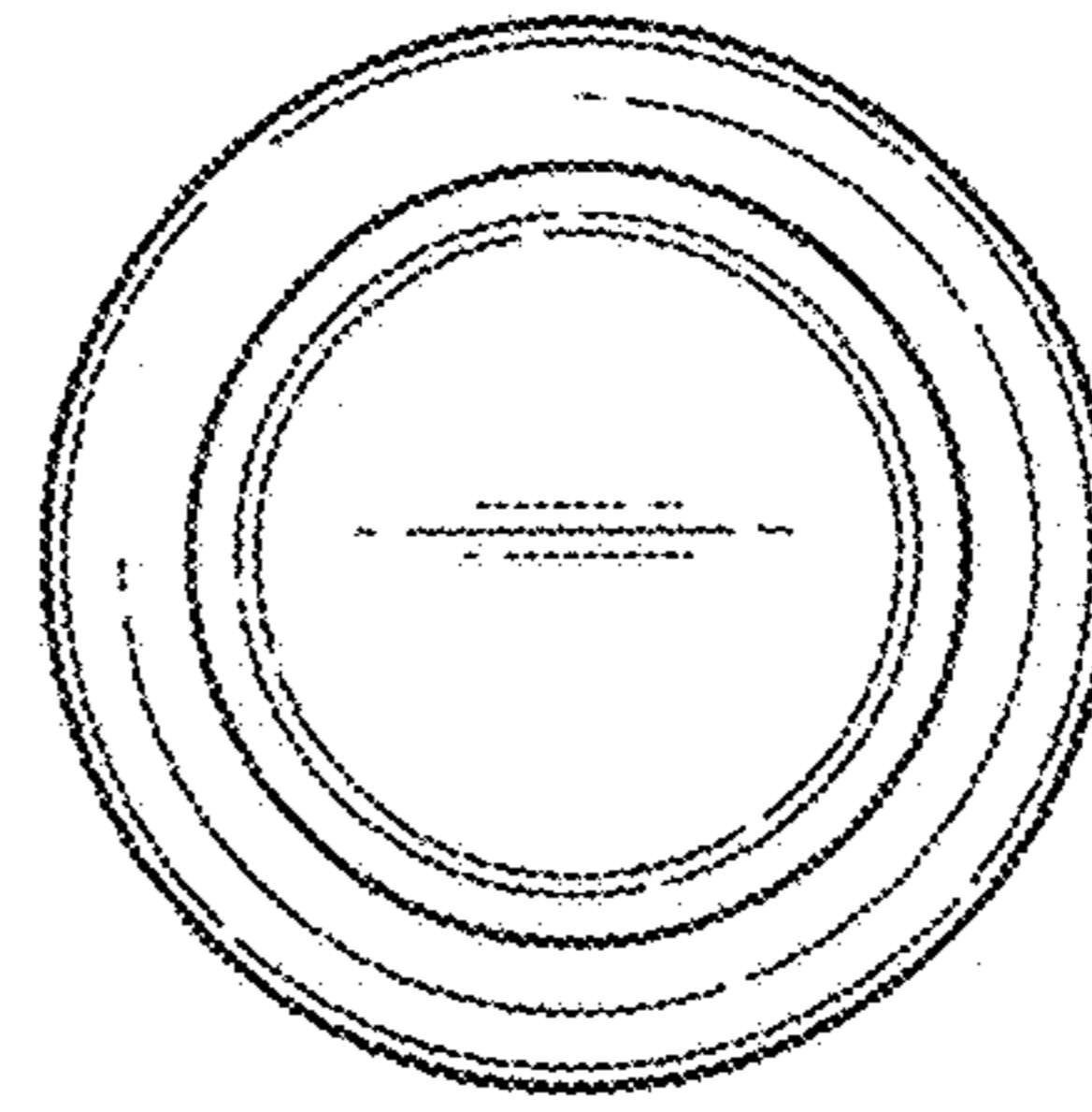


FIG. 4

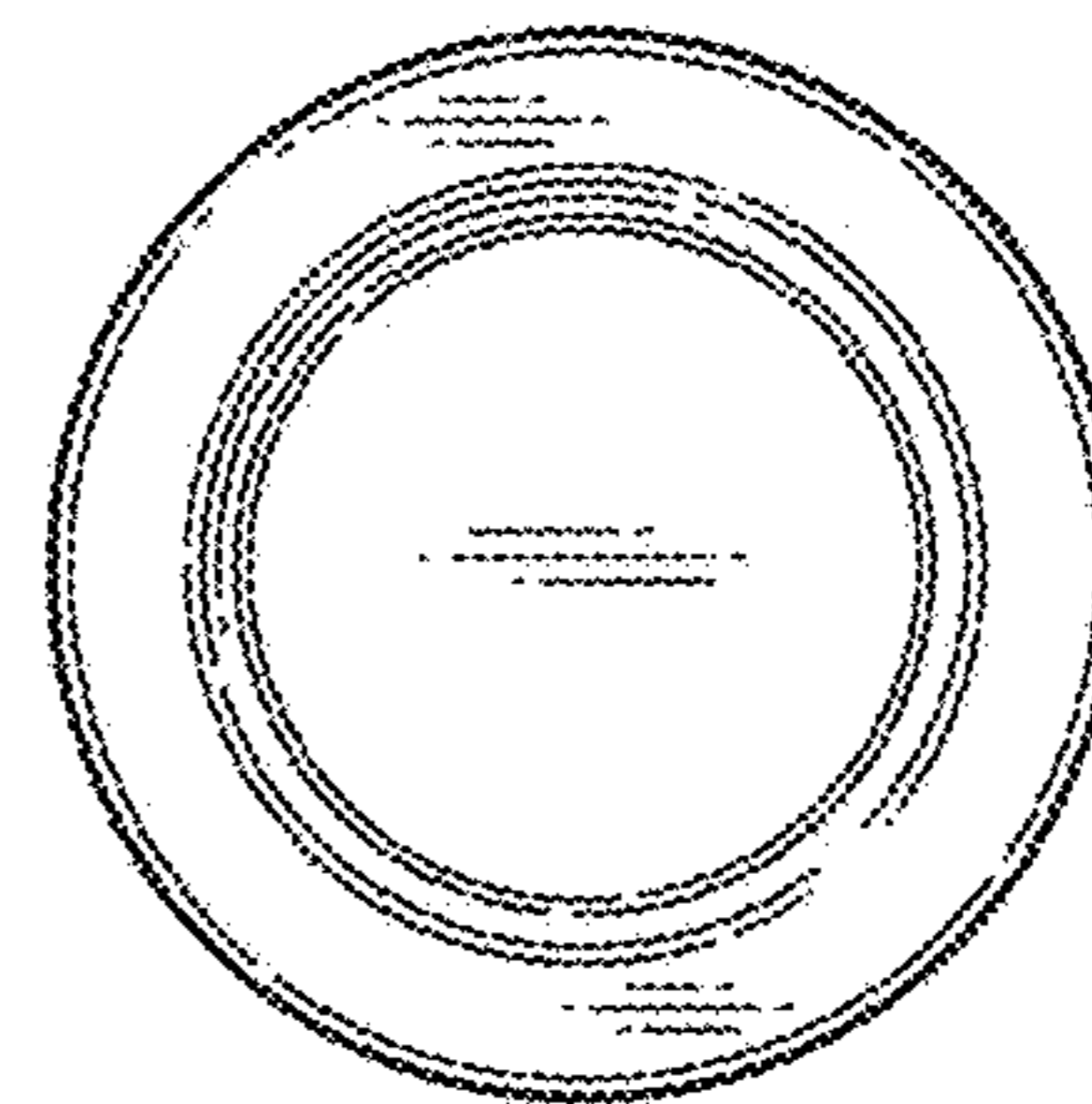


FIG. 5