

US00D844439S

(12) **United States Design Patent** (10) **Patent No.:** **US D844,439 S**
Deylamian et al. (45) **Date of Patent:** **** Apr. 2, 2019**

(54) **BOTTLE**
(71) Applicant: **OnMyWhey, LLC**, San Jose, CA (US)
(72) Inventors: **Farbod Deylamian**, New York, NY (US); **Kyle Lewis**, San Mateo, CA (US); **Kayvon Pourmirzaie**, San Jose, CA (US)
(73) Assignee: **OnMyWhey, LLC**, San Jose, CA (US)
(**) Term: **15 Years**
(21) Appl. No.: **29/617,385**
(22) Filed: **Sep. 13, 2017**

Related U.S. Application Data

(63) Continuation-in-part of application No. 29/587,289, filed on Dec. 12, 2016, and a continuation-in-part of application No. 29/587,298, filed on Dec. 12, 2016.
(51) **LOC (11) Cl.** **09-01**
(52) **U.S. Cl.**
USPC **D9/503**; D9/436; D9/454; D9/504; D9/719; D3/208
(58) **Field of Classification Search**
USPC D9/434-436, 443, 454, 499, 500-504, D9/516, 529, 549, 558, 715, 719, 722, D9/741, 745-746; D3/203.1-203.2, D3/207-208, 212, 215; D7/391, 507, D7/590, 629-630
CPC B65D 1/00; B65D 1/02; B65D 1/0223; B65D 11/04; B65D 23/00; B65D 23/0003; B65D 51/24; B65D 2313/00; B65D 2501/00; B65D 2501/0009; B65D 2501/0072; B65D 1/06; A63B 29/02; Y10T 24/45346; Y10T 24/45435
See application file for complete search history.

(56) **References Cited**
U.S. PATENT DOCUMENTS
D246,029 S * 10/1977 Lynn D9/780
D272,722 S * 2/1984 Haakenson D9/503
D315,095 S * 3/1991 Wright D9/415
D316,671 S * 5/1991 Rohmeder 401/126
D481,937 S * 11/2003 McRae D9/443
D489,171 S * 5/2004 Jackson D3/203.2
D530,195 S * 10/2006 Marry D9/415
D606,447 S * 12/2009 West D11/80
D612,240 S * 3/2010 Cresswell D9/454
D618,906 S * 7/2010 Covington D19/67
D633,808 S * 3/2011 Titherington B65D 50/041
D9/453
D679,960 S * 4/2013 Hopkins D7/629
D680,319 S * 4/2013 Lawrence D3/207
D680,387 S * 4/2013 Hopkins D7/629
(Continued)

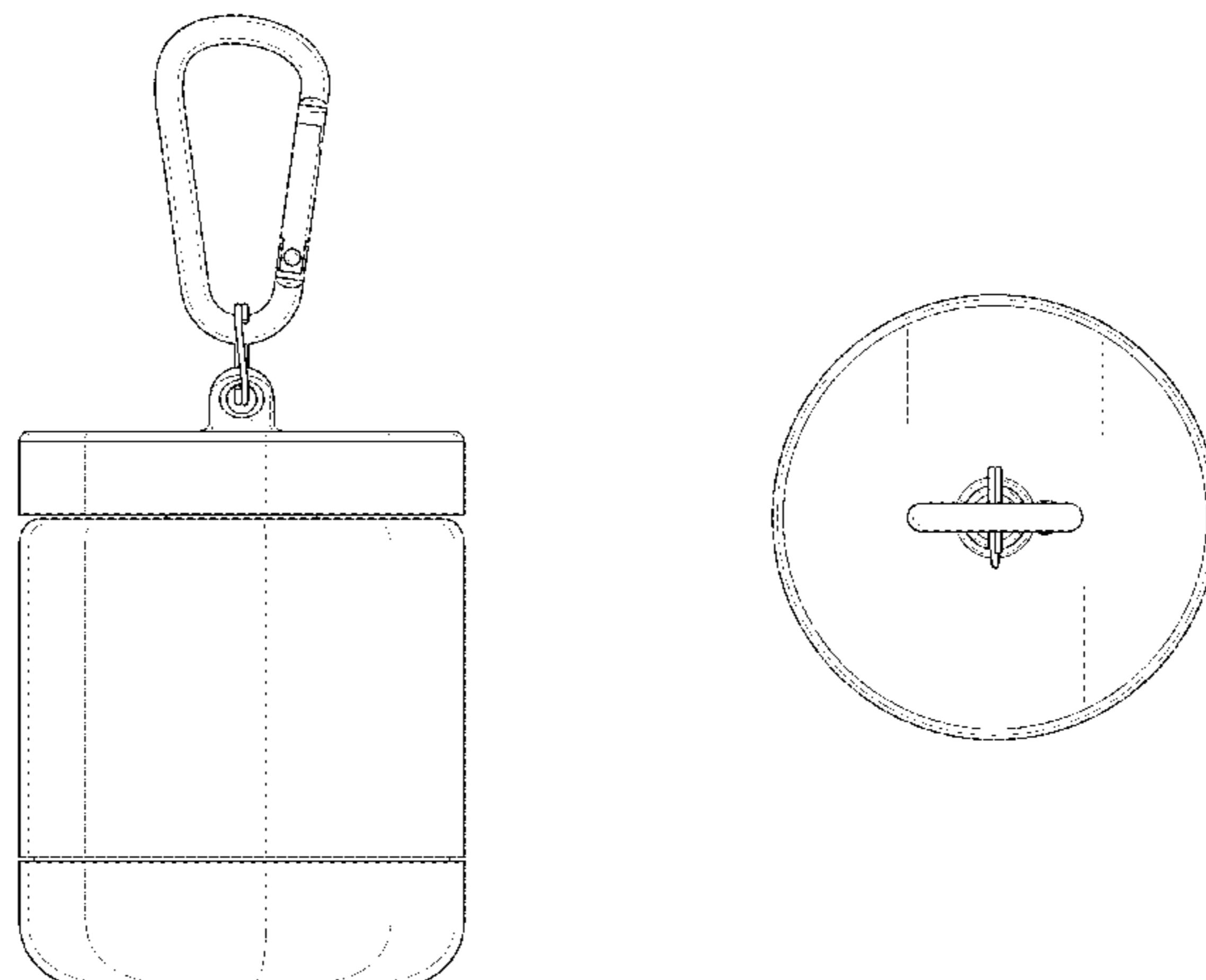
Primary Examiner — Dana Meyrow
(74) *Attorney, Agent, or Firm* — Young Basile Hanlon & MacFarlane, P.C.

(57) **CLAIM**
The ornamental design for a bottle, as shown and described.

DESCRIPTION

FIG. 1 is a first perspective view of a bottle in accordance with the present invention.
FIG. 2 is a second perspective view thereof.
FIG. 3 is a front view thereof.
FIG. 4 is a back view thereof.
FIG. 5 is a left view thereof.
FIG. 6 is a right view thereof.
FIG. 7 is a top view thereof.
FIG. 8 is a bottom view thereof.
FIG. 9 is a first perspective exploded view thereof; and, FIG. 10 is a second perspective exploded view thereof.
The broken lines shown in the drawings are included for purposes of illustrating portions of the bottle and form no part of the claimed design.

1 Claim, 9 Drawing Sheets



(56)

References Cited

U.S. PATENT DOCUMENTS

D690,772 S * 10/2013 Kado D20/19
D752,925 S * 4/2016 Lewis D7/590
D759,480 S * 6/2016 Shugar D9/436
D807,177 S * 1/2018 Belinsky D9/500
D831,489 S * 10/2018 Deylamian D9/516
2011/0309083 A1* 12/2011 Hsiu-Tzu Charlene
A45D 34/00
220/505
2018/0162582 A1* 6/2018 Deylamian A47G 19/2272

* cited by examiner

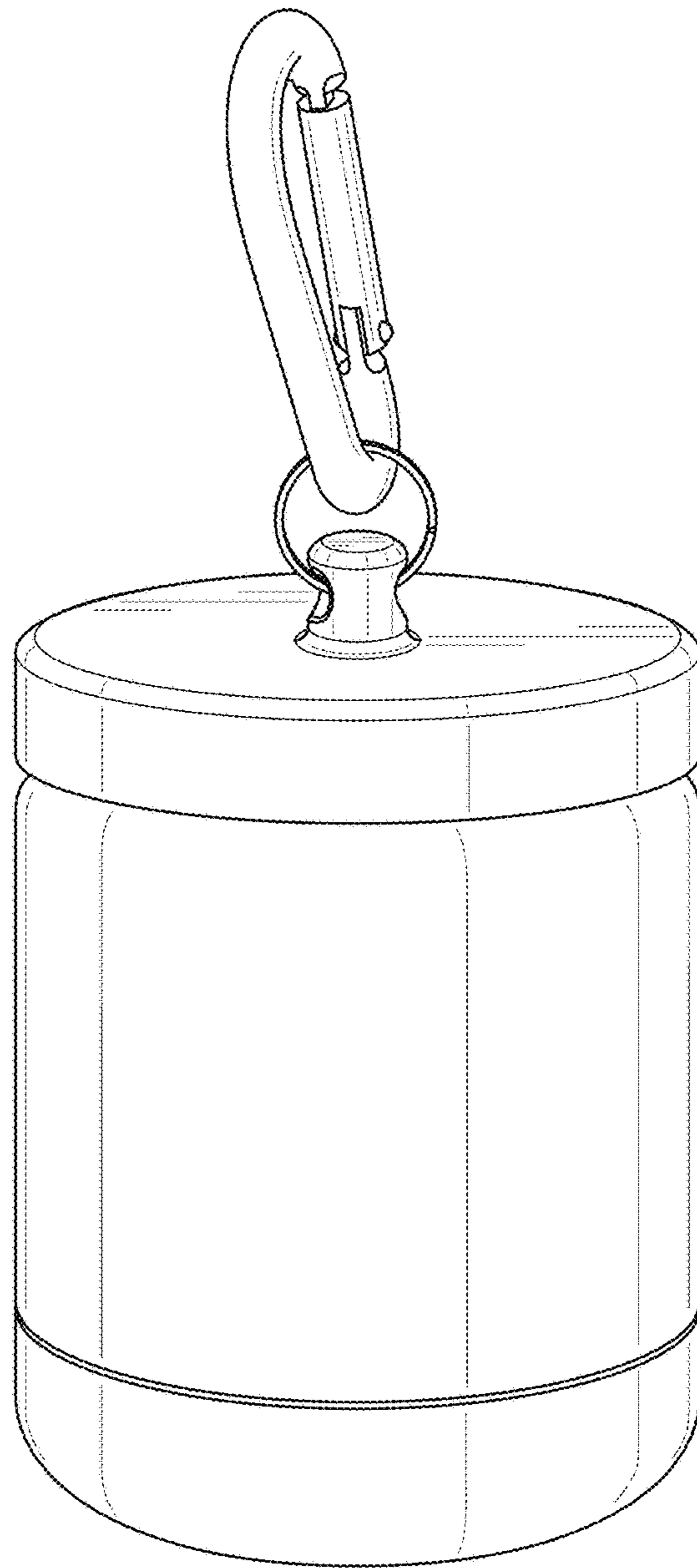


FIG. 1

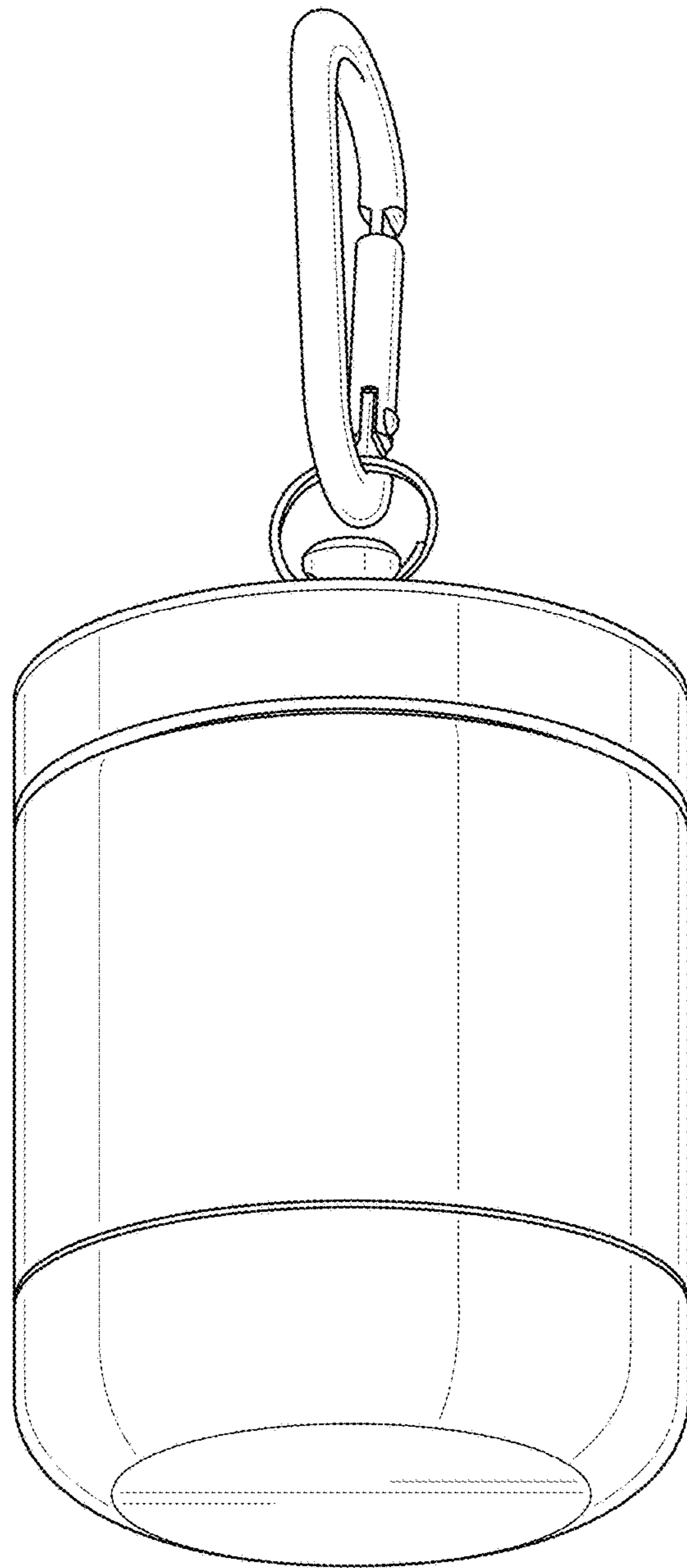


FIG. 2

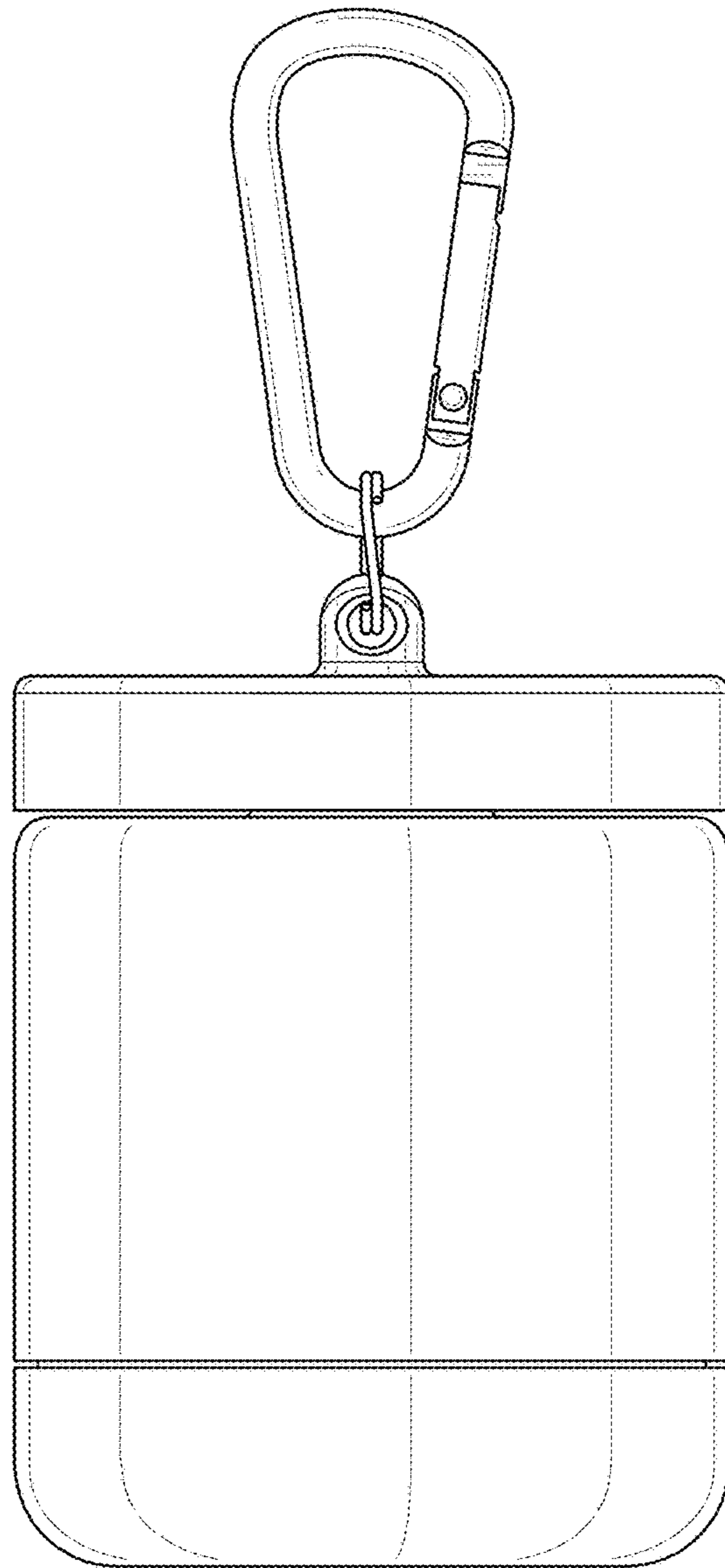


FIG. 3

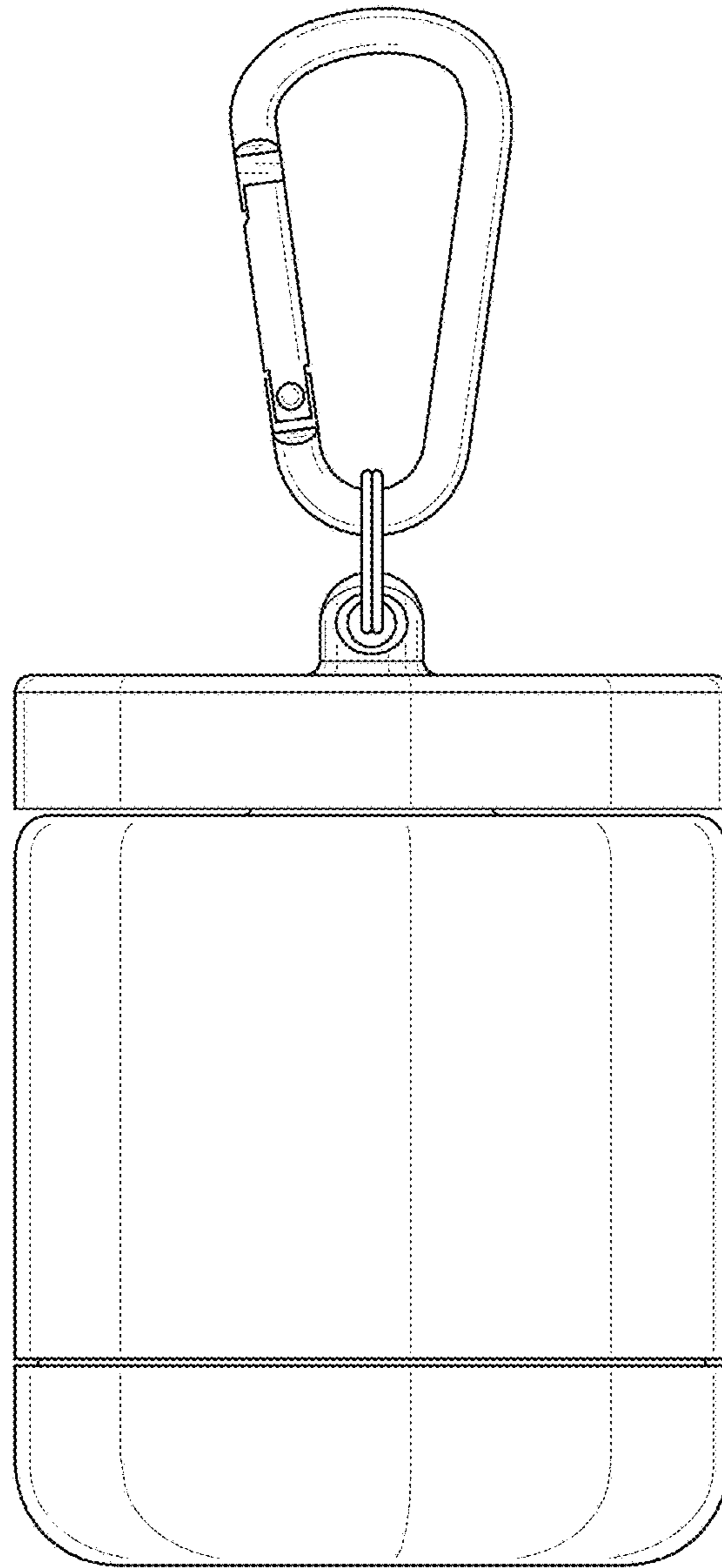


FIG. 4

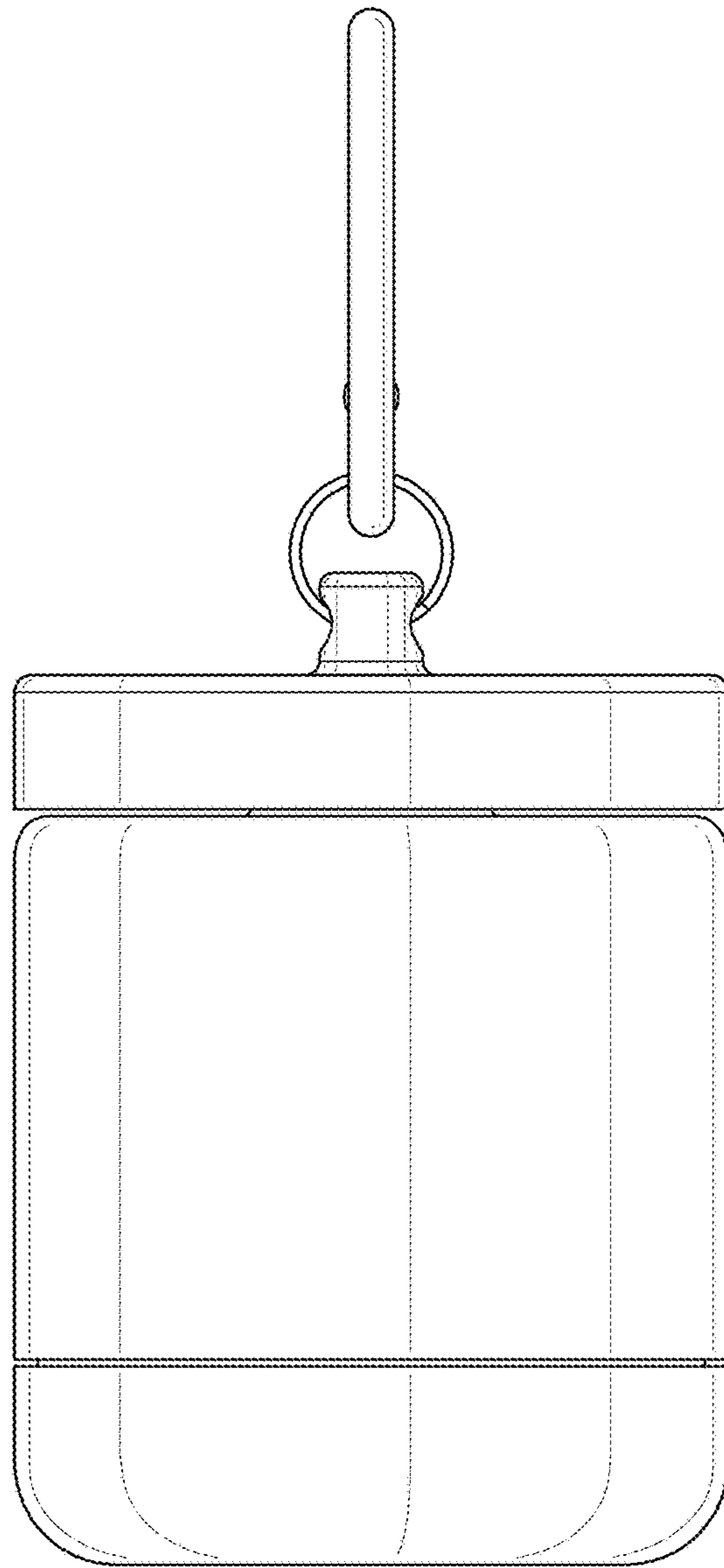


FIG. 5

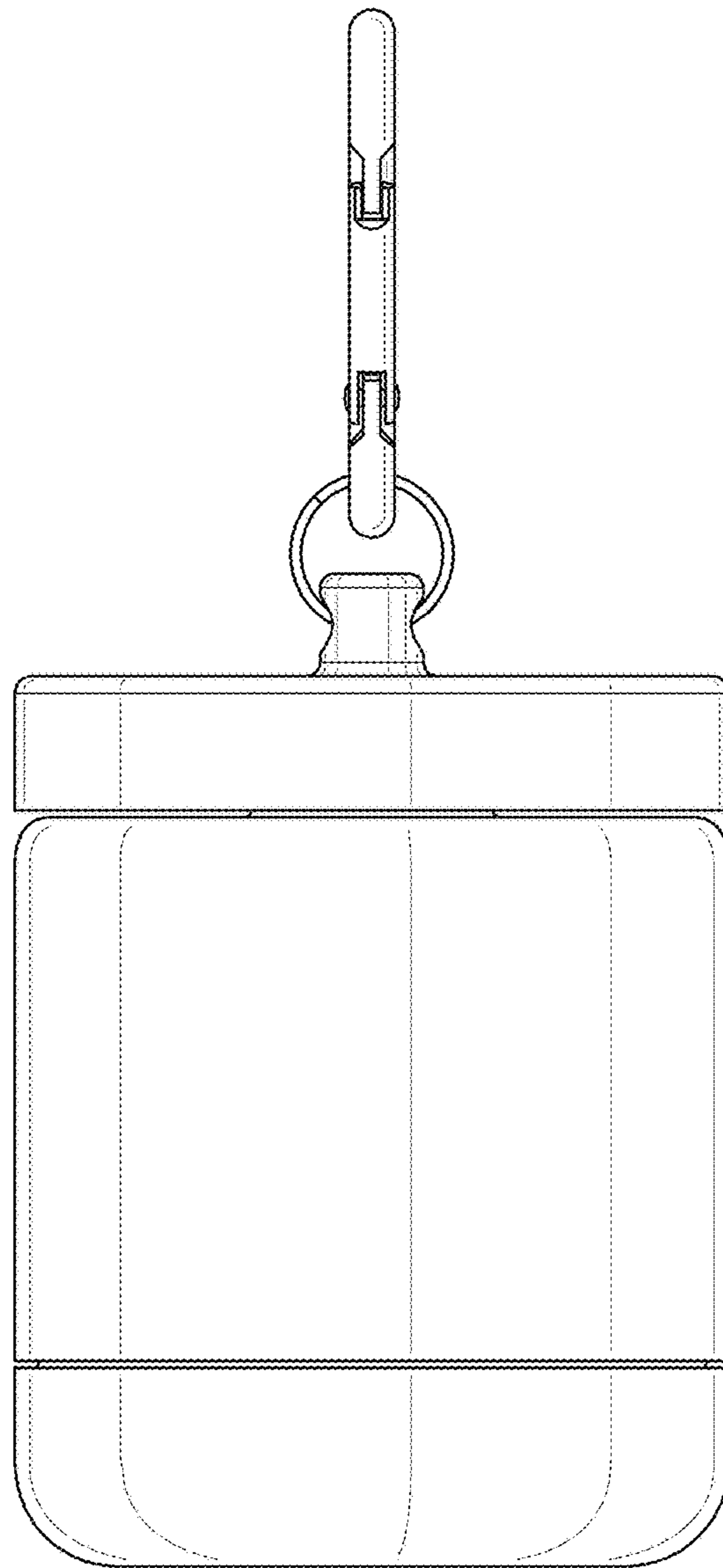


FIG. 6

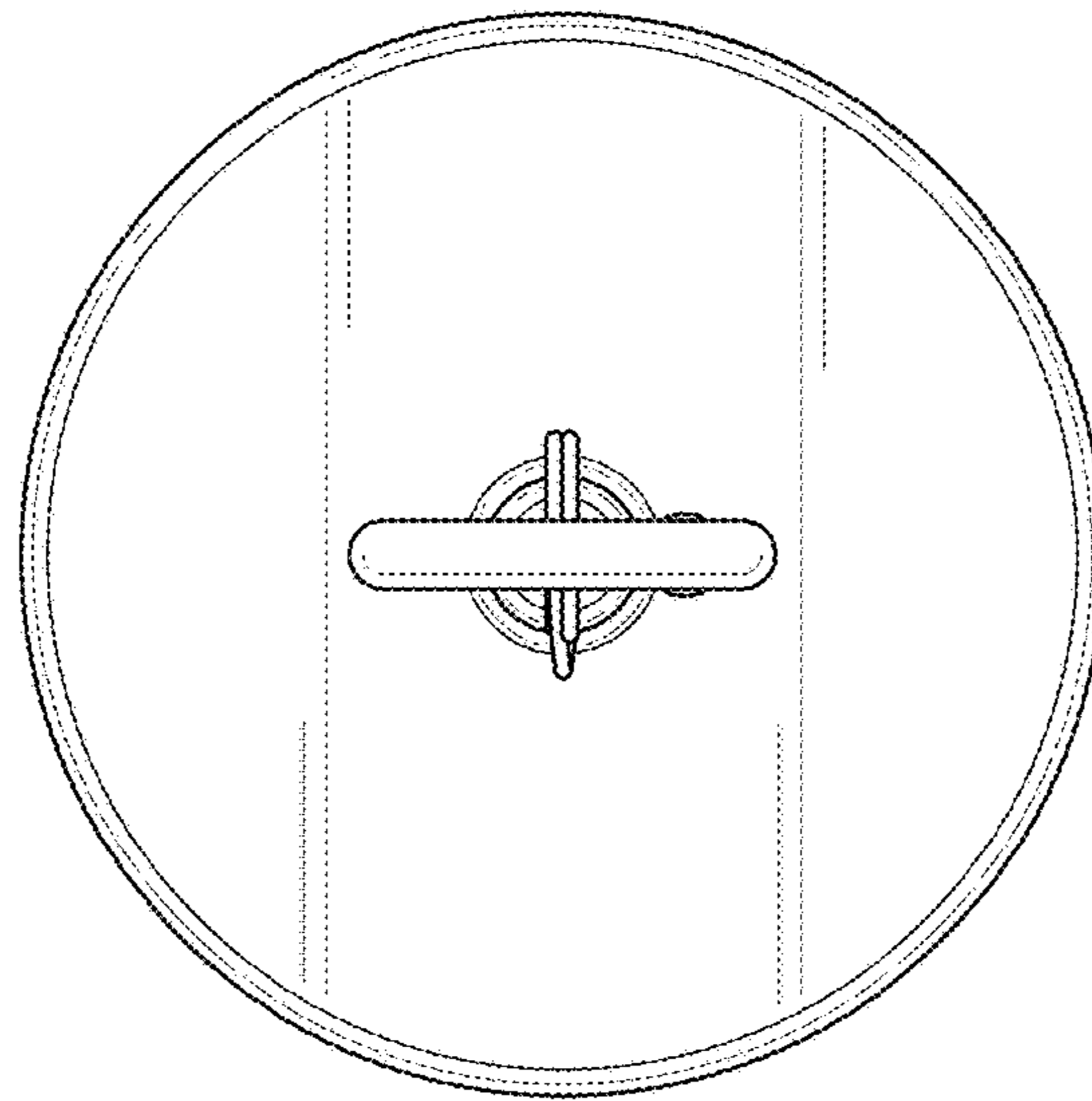


FIG. 7

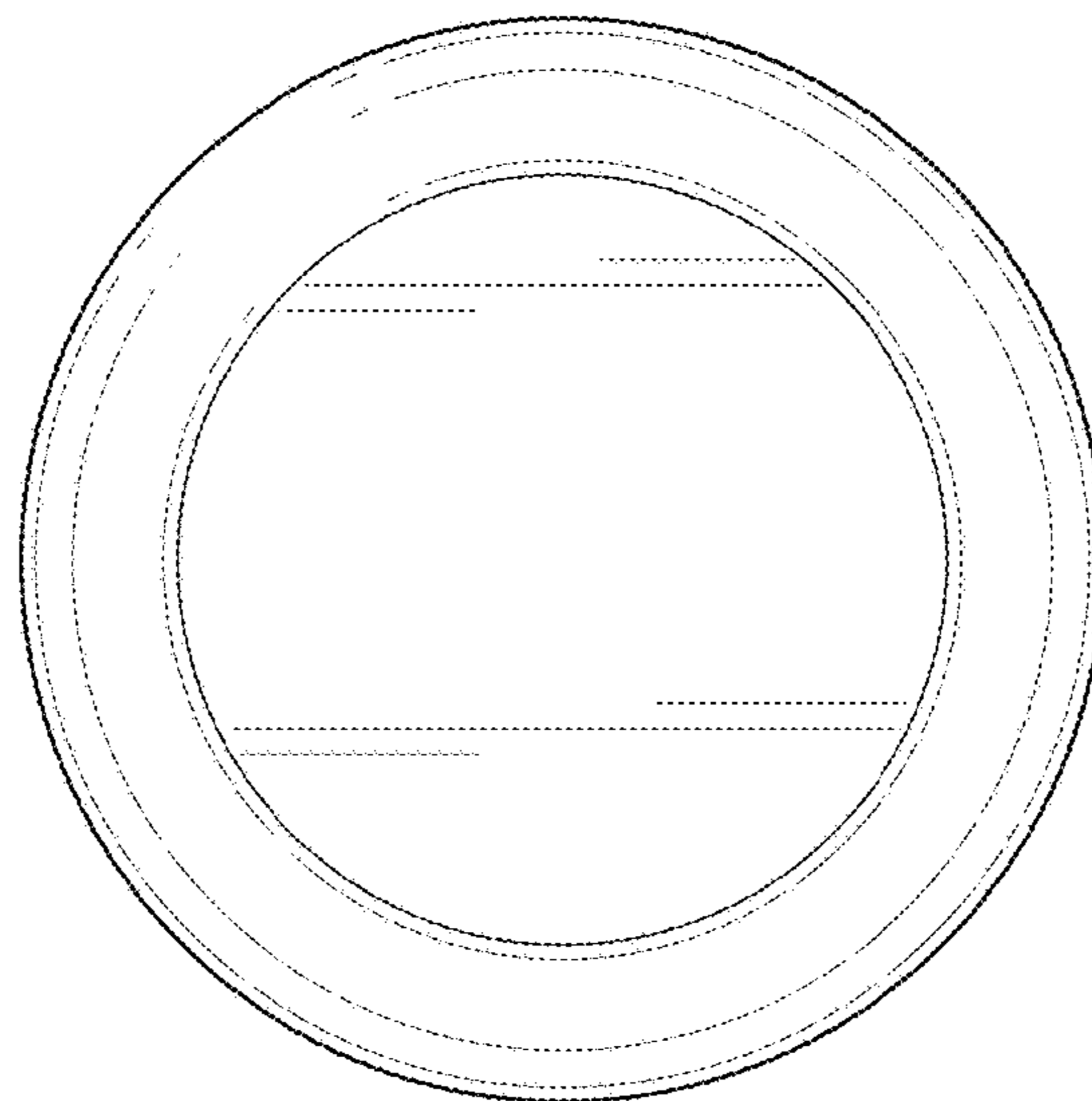


FIG. 8

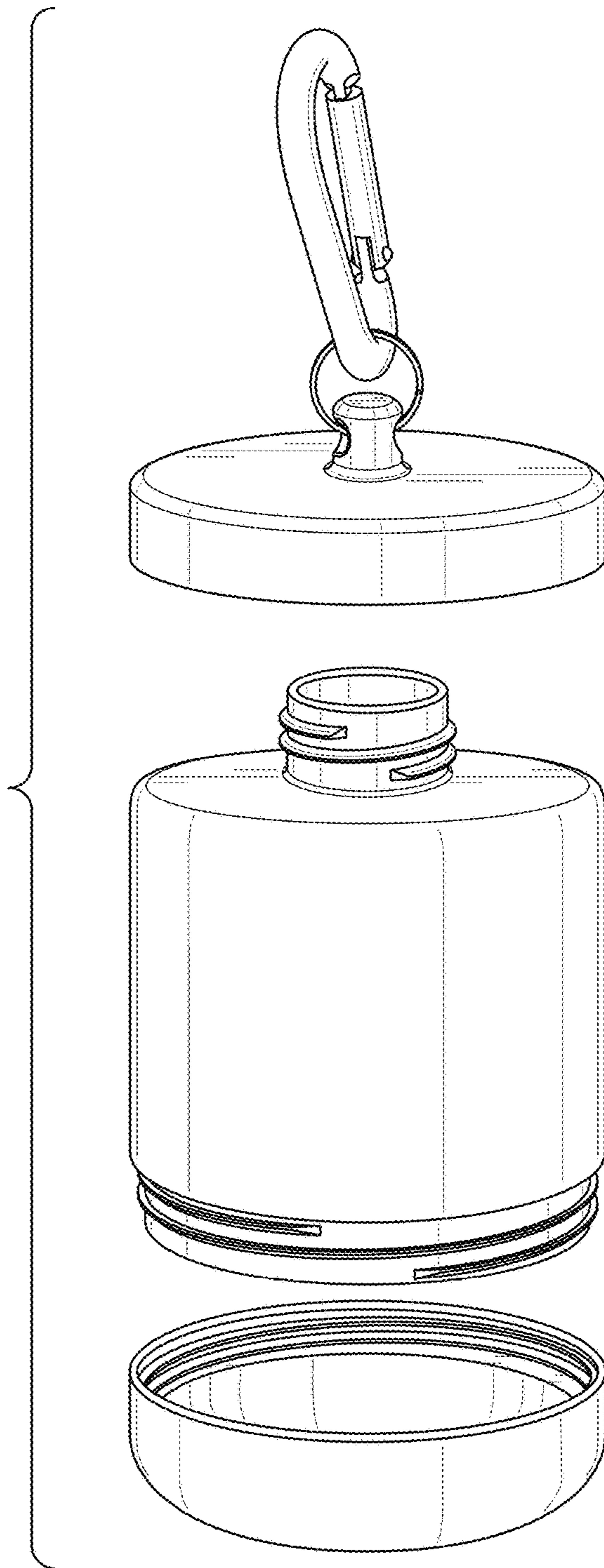


FIG. 9

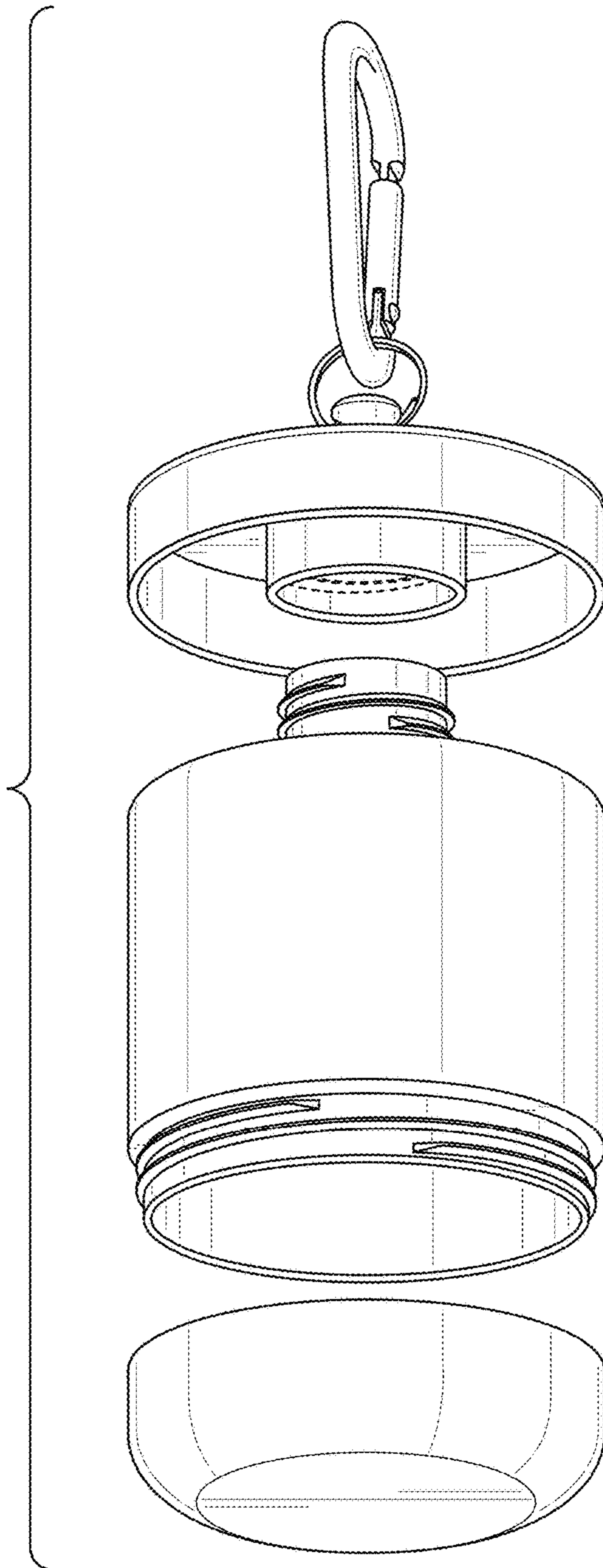


FIG. 10