



US00D844438S

(12) **United States Design Patent** (10) **Patent No.:** **US D844,438 S**  
**Deylamian et al.** (45) **Date of Patent:** **\*\* Apr. 2, 2019**

(54) **BOTTLE**

(71) Applicant: **OnMyWhey, LLC**, San Jose, CA (US)

(72) Inventors: **Farbod Deylamian**, New York, NY (US); **Kyle Lewis**, San Mateo, CA (US); **Kayvon Pourmirzaie**, San Jose, CA (US)

(73) Assignee: **OnMyWhey, LLC**, San Jose, CA (US)

(\*\*) Term: **15 Years**

(21) Appl. No.: **29/617,382**

(22) Filed: **Sep. 13, 2017**

**Related U.S. Application Data**

(63) Continuation-in-part of application No. 29/587,289, filed on Dec. 12, 2016, and a continuation-in-part of application No. 29/587,298, filed on Dec. 12, 2016.

(51) **LOC (11) Cl.** ..... **09-01**

(52) **U.S. Cl.**  
USPC ..... **D9/503**; D9/454; D9/504

(58) **Field of Classification Search**  
USPC ..... D9/434–436, 443, 454, 499, 500–504, D9/516, 529, 549, 558, 715, 719, 722, D9/741, 745–746; D3/203.1–203.2, D3/207–208, 212, 215; D7/391, 507, D7/590, 629–630  
CPC ..... B65D 1/00; B65D 1/02; B65D 1/0223; B65D 11/04; B65D 23/00; B65D 23/0003; B65D 51/24; B65D 2313/00; B65D 2501/00; B65D 2501/0009; B65D 2501/0072; B65D 1/06; A63B 29/02; Y10T 24/45346; Y10T 24/45435

See application file for complete search history.

(56) **References Cited**

U.S. PATENT DOCUMENTS

D246,029	S	*	10/1977	Lynn	.....	D9/780
D272,722	S	*	2/1984	Haakenson	.....	D9/503
D316,671	S	*	5/1991	Rohmeder	.....	401/126
D530,195	S	*	10/2006	Marry	.....	D9/415
D612,240	S	*	3/2010	Cresswell	.....	D9/454
D633,808	S	*	3/2011	Titherington	.....	B65D 50/041 D9/453
D679,960	S	*	4/2013	Hopkins	.....	D7/629
D680,387	S	*	4/2013	Hopkins	.....	D7/629
D807,177	S	*	1/2018	Belinsky	.....	D9/500
D831,489	S	*	10/2018	Deylamian	.....	D9/516
2011/0309083	A1	*	12/2011	Hsiu-Tzu	.....	A45D 34/00 220/505
2018/0162582	A1	*	6/2018	Deylamian	.....	A47G 19/2272

\* cited by examiner

*Primary Examiner* — Dana Meyrow

(74) *Attorney, Agent, or Firm* — Young Basile Hanlon & MacFarlane, P.C.

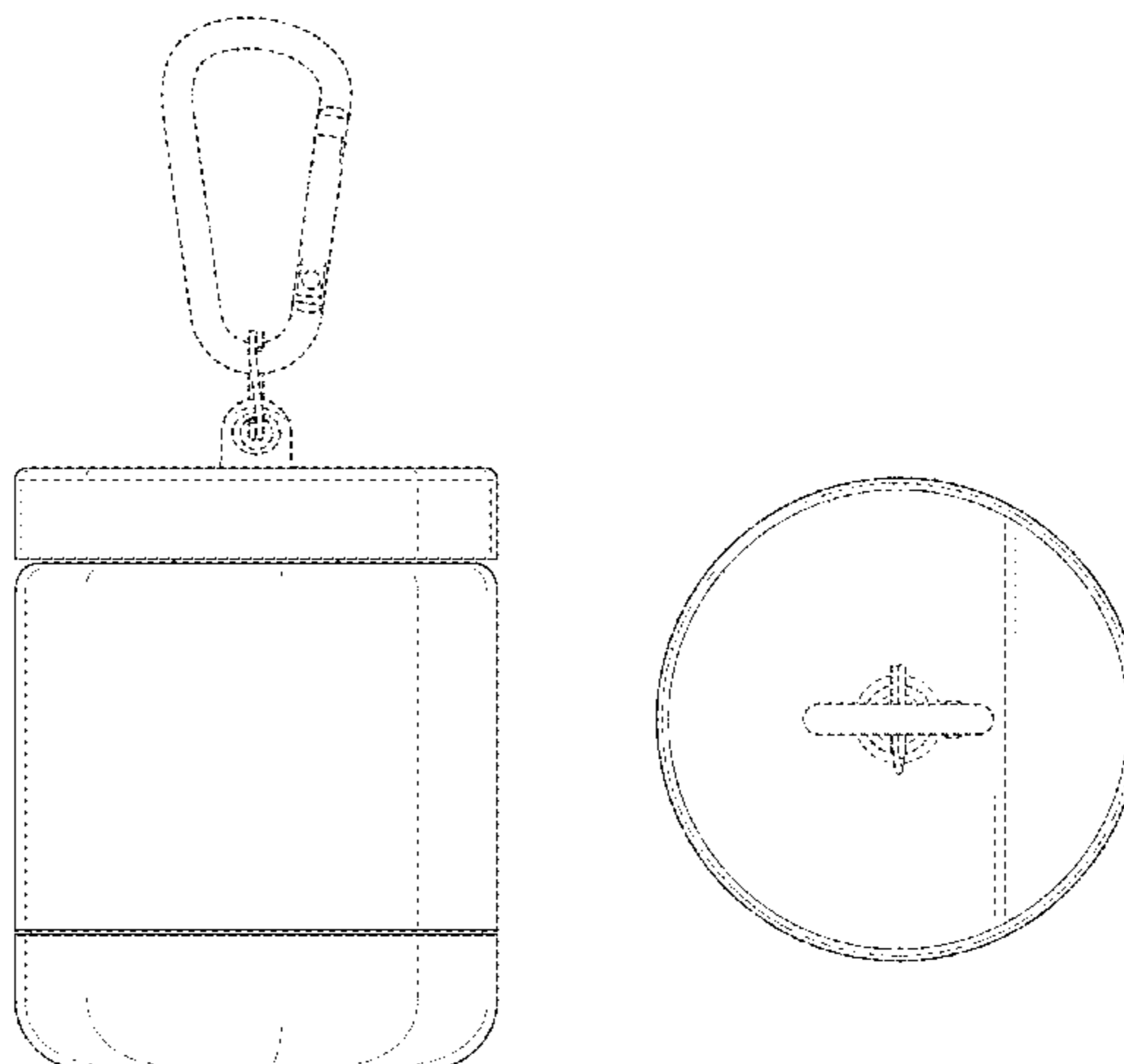
(57) **CLAIM**

The ornamental design for a bottle, as shown and described.

**DESCRIPTION**

FIG. 1 is a first perspective view of a bottle in accordance with the present invention.  
FIG. 2 is a second perspective view thereof.  
FIG. 3 is a front view thereof.  
FIG. 4 is a back view thereof.  
FIG. 5 is a left view thereof.  
FIG. 6 is a right view thereof.  
FIG. 7 is a top view thereof.  
FIG. 8 is a bottom view thereof.  
FIG. 9 is a first perspective exploded view thereof; and, FIG. 10 is a second perspective exploded view thereof.  
The broken lines shown in the drawings are included for purposes of illustrating portions of the bottle and form no part of the claimed design.

**1 Claim, 9 Drawing Sheets**



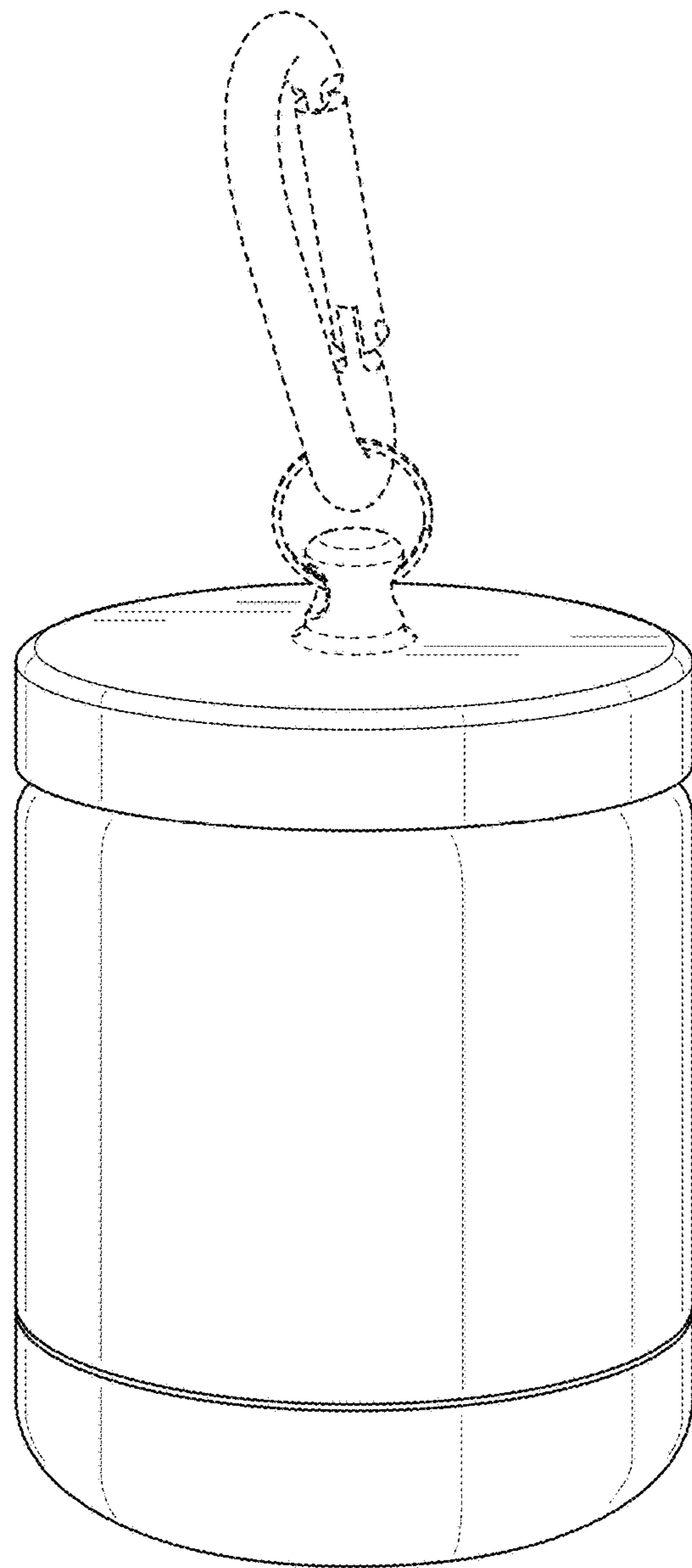


FIG. 1

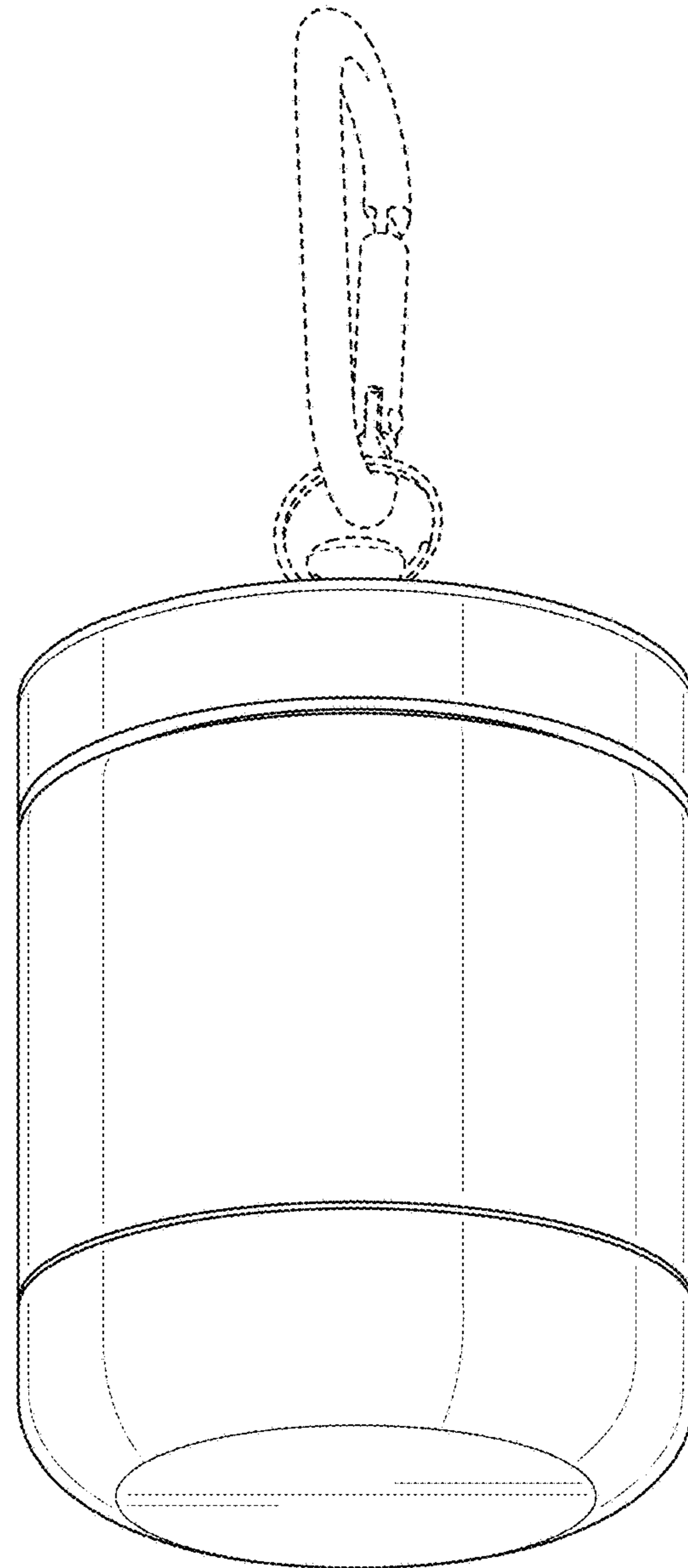


FIG. 2

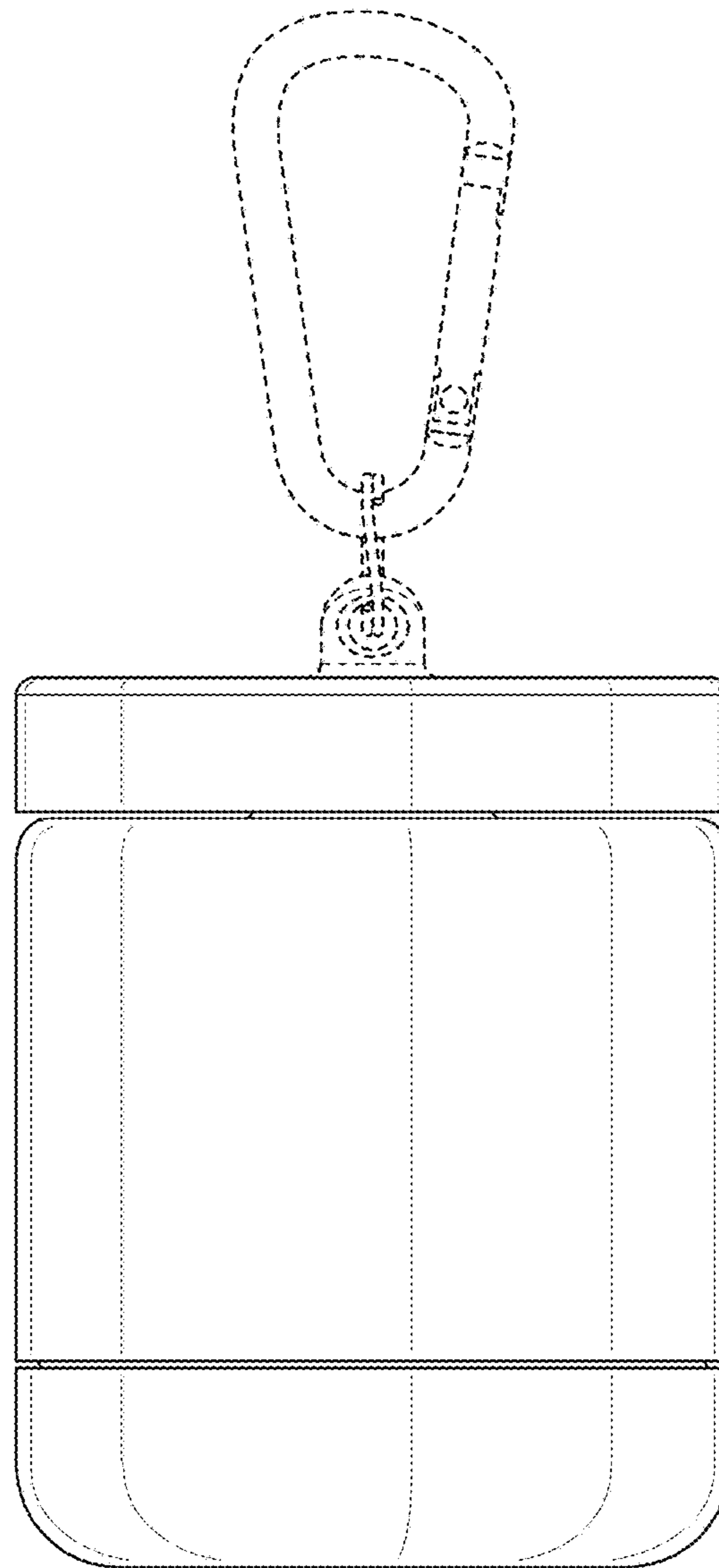


FIG. 3

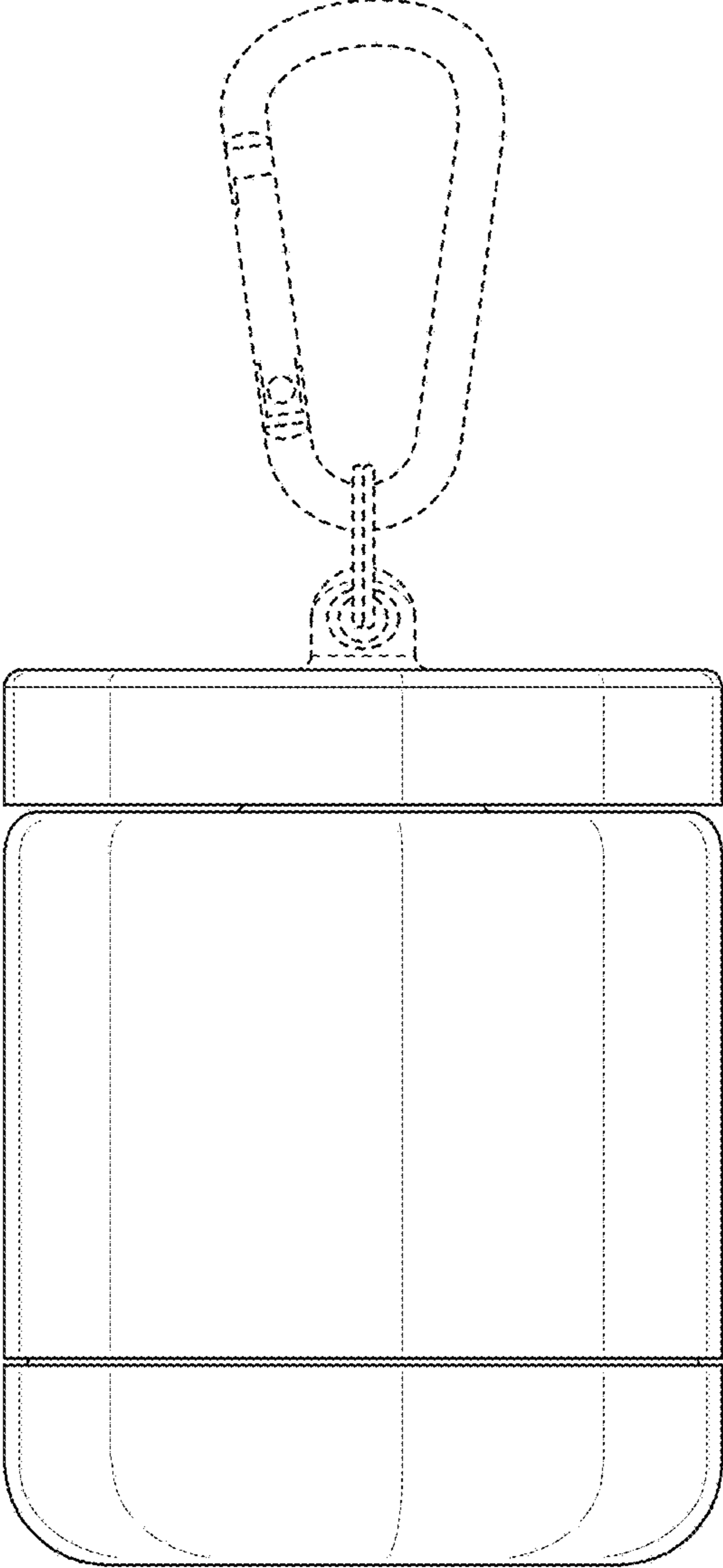


FIG. 4

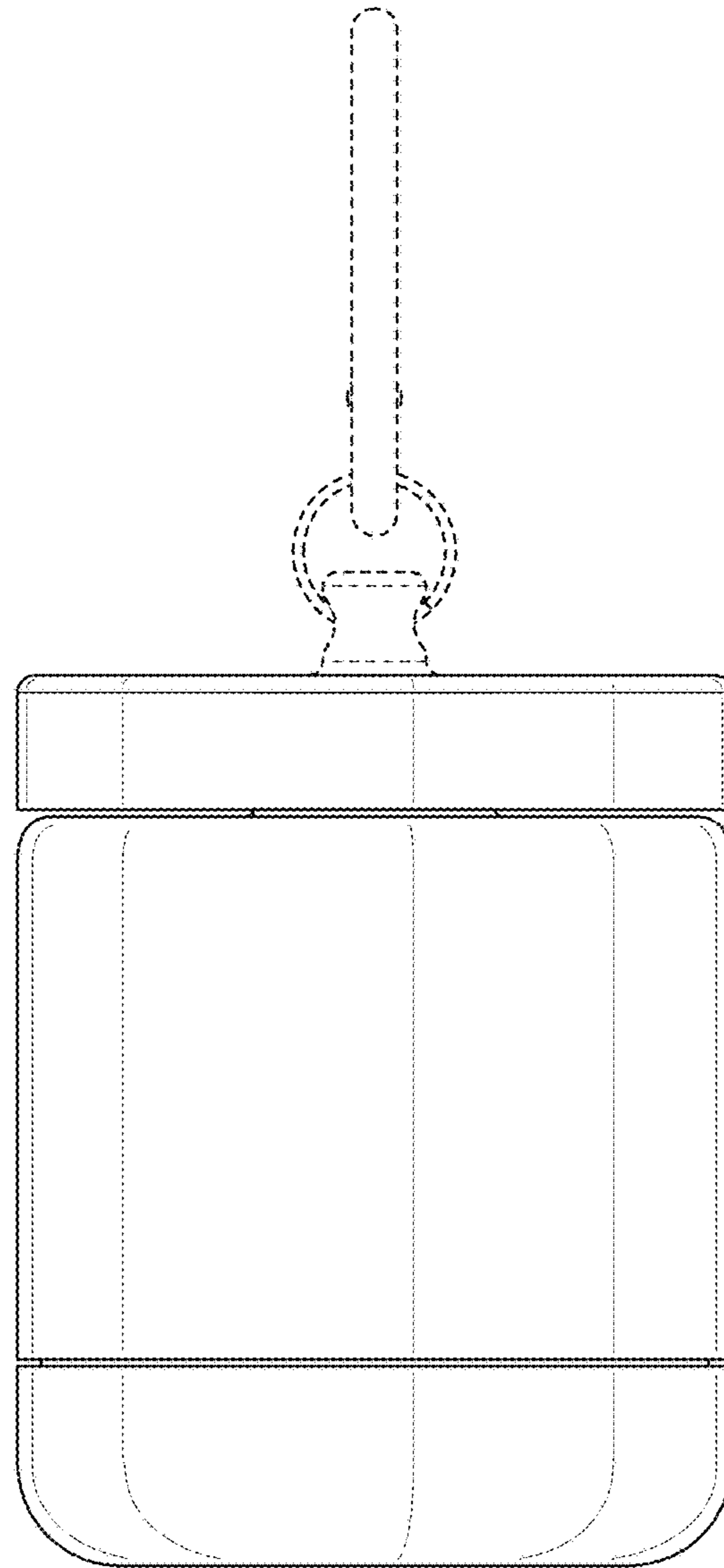


FIG. 5

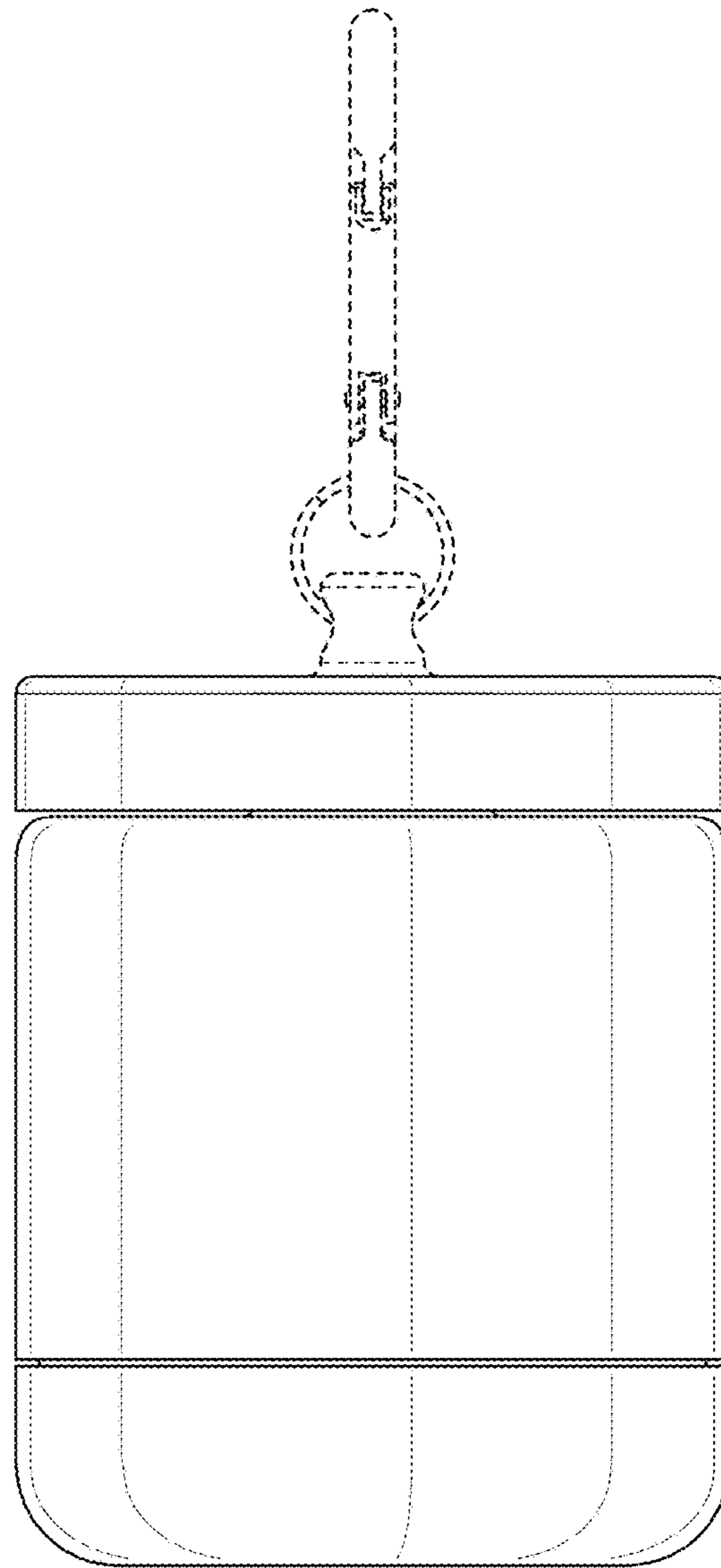


FIG. 6

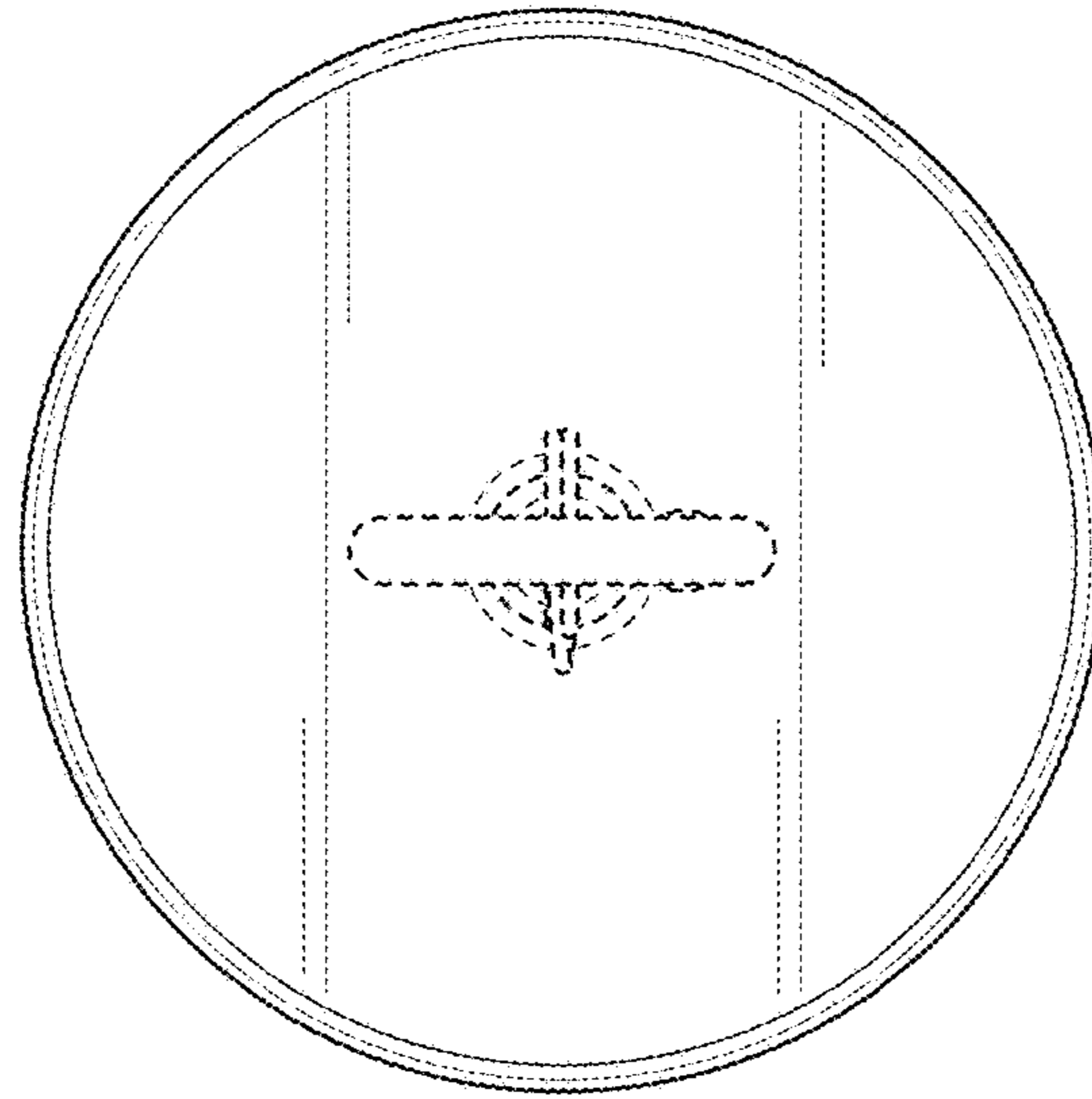


FIG. 7

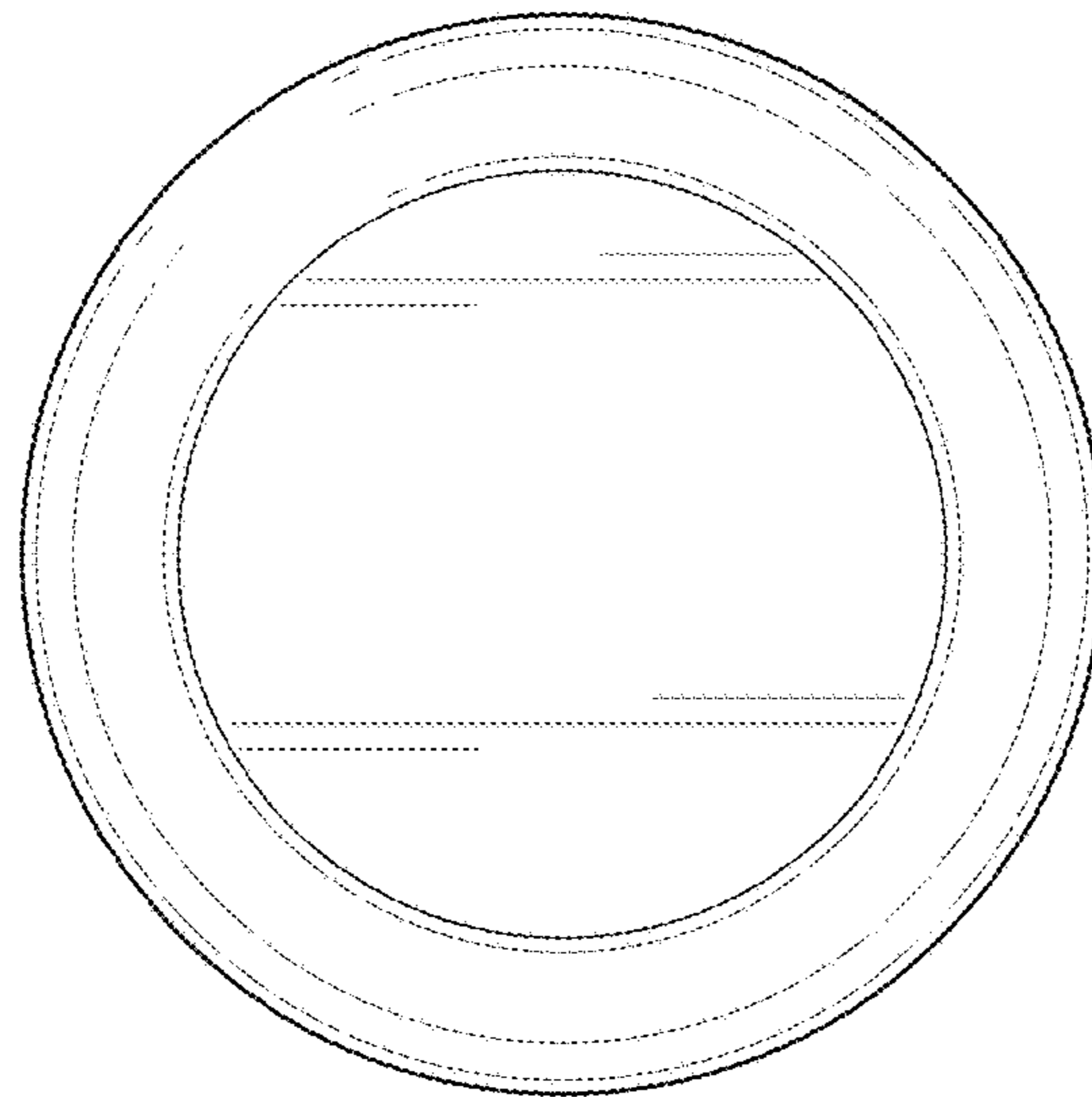


FIG. 8



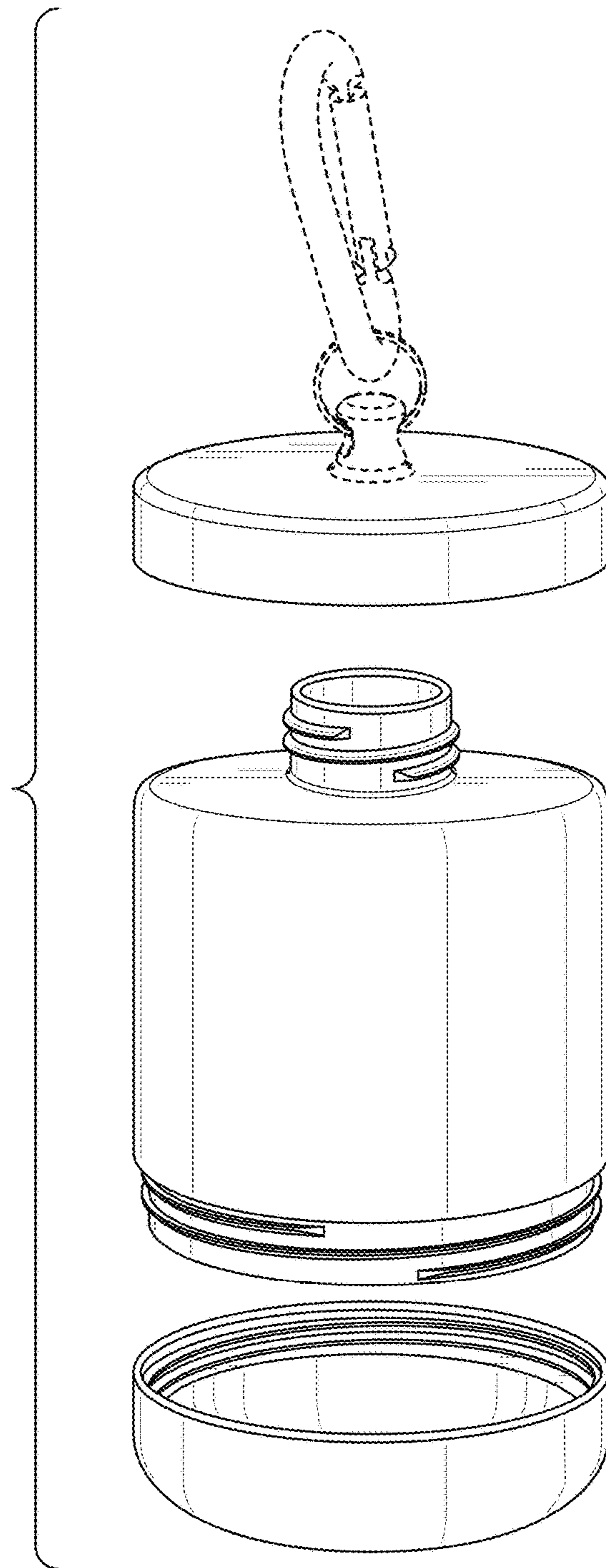


FIG. 9

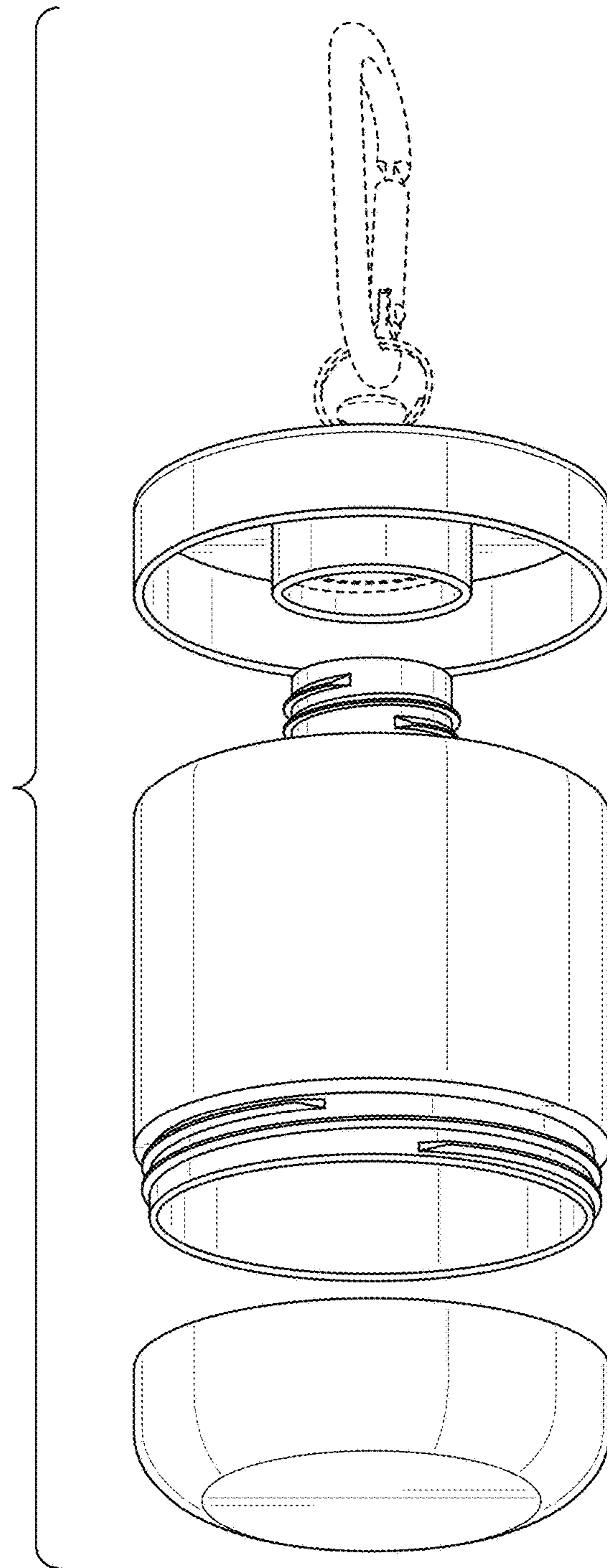


FIG. 10