



US00D844435S

(12) **United States Design Patent**
Deylamian et al.

(10) **Patent No.:** **US D844,435 S**

(45) **Date of Patent:** **** Apr. 2, 2019**

(54) **BOTTLE**

(71) Applicant: **OnMyWhey, LLC**, San Jose, CA (US)

(72) Inventors: **Farbod Deylamian**, New York, NY (US); **David Jacobsen**, San Diego, CA (US); **Kyle Lewis**, San Mateo, CA (US); **Kayvon Pourmirzaie**, San Jose, CA (US)

(73) Assignee: **OnMyWhey, LLC**, San Jose, CA (US)

(**) Term: **15 Years**

(21) Appl. No.: **29/587,289**

(22) Filed: **Dec. 12, 2016**

(51) **LOC (11) Cl.** **09-01**

(52) **U.S. Cl.**
USPC **D9/503**; D9/454; D9/504

(58) **Field of Classification Search**
USPC D9/434-436, 443, 454, 499, 500-504, D9/516, 529, 549, 558, 715, 719, 722, D9/741, 745-746; D3/203.1-203.2, D3/207-208, 212, 215; D7/391, 507, D7/590, 629-630

CPC B65D 1/00; B65D 1/02; B65D 1/0223; B65D 11/04; B65D 23/00; B65D 23/0003; B65D 51/24; B65D 2313/00; B65D 2501/00; B65D 2501/0009; B65D 2501/0072; B65D 1/06; A63B 29/02; Y10T 24/45346; Y10T 24/45435

See application file for complete search history.

(56) **References Cited**

U.S. PATENT DOCUMENTS

- 2,813,650 A * 11/1957 Takahashi B65D 41/185 215/305
- 3,212,663 A * 10/1965 Greenwell B65D 41/0442 215/352
- D239,159 S * 3/1976 Picker D7/317

- D243,065 S * 1/1977 Picker D7/540
- D278,597 S * 4/1985 McAlinden D9/500
- D287,335 S * 12/1986 Anderson D24/117
- D354,914 S * 1/1995 Newman D9/453
- D433,336 S * 11/2000 Weber D9/538
- D653,116 S * 1/2012 McMahan D9/542
- D654,366 S * 2/2012 Presche D9/504
- D690,161 S * 9/2013 Garner D7/510
- D785,455 S * 5/2017 James D9/503
- D805,909 S * 12/2017 Matsuishi D9/538
- D807,177 S * 1/2018 Belinsky D9/500
- D831,489 S * 10/2018 Deylamian D9/516
- 2008/0308518 A1 * 12/2008 Sprishen B65D 50/043 215/40
- 2011/0309083 A1 * 12/2011 Hsiu-Tzu Charlene A45D 34/00 220/505

(Continued)

Primary Examiner — Dana Meyrow

(74) *Attorney, Agent, or Firm* — Young Basile Hanlon & MacFarlane, P.C.

(57) **CLAIM**

The ornamental design for a bottle, as shown and described.

DESCRIPTION

FIG. 1 is a first perspective view of a bottle in accordance with the present invention.

FIG. 2 is a second perspective view thereof.

FIG. 3 is a front view thereof.

FIG. 4 is a back view thereof.

FIG. 5 is a left view thereof.

FIG. 6 is a right view thereof.

FIG. 7 is a top view thereof.

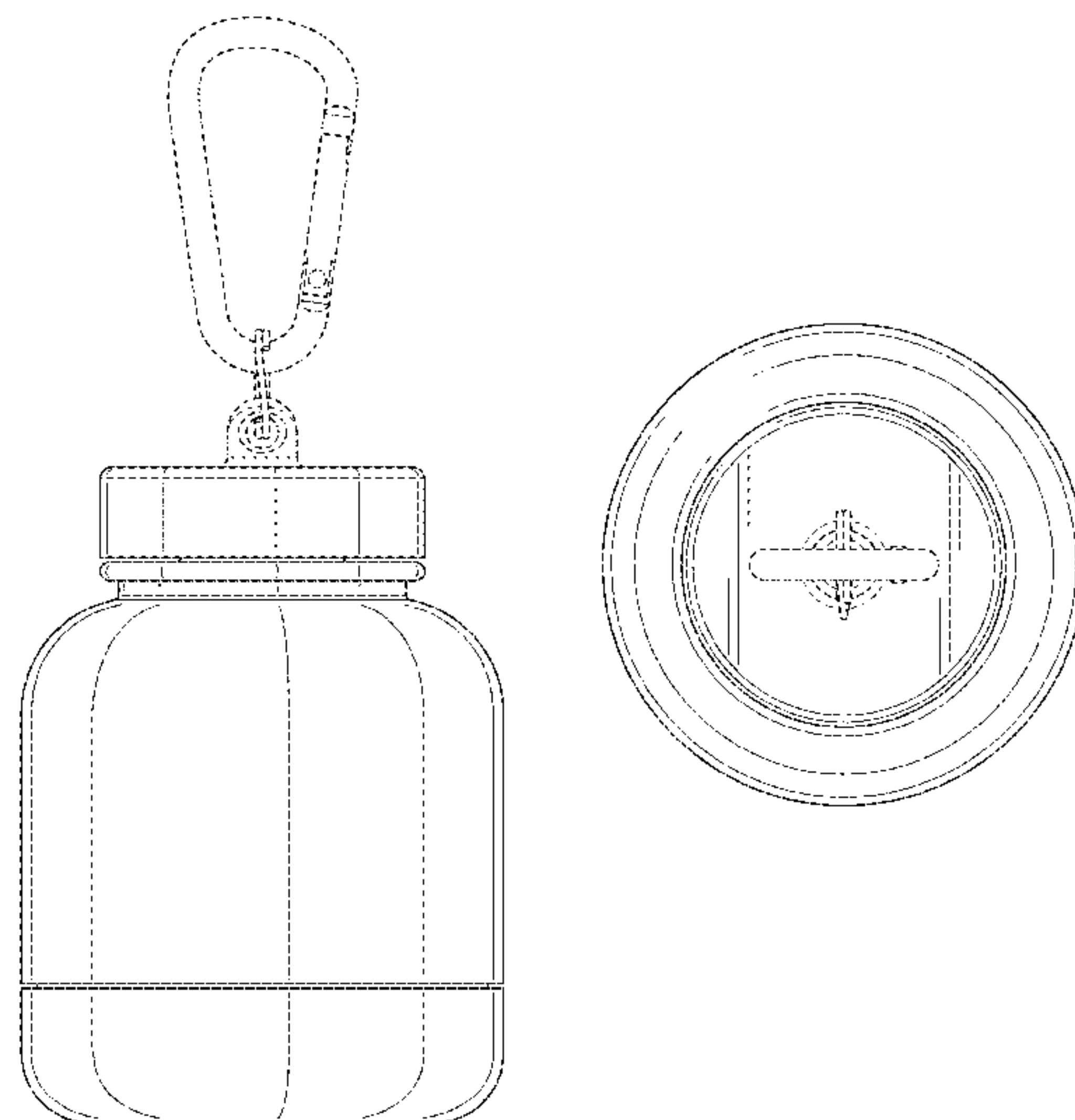
FIG. 8 is a bottom view thereof.

FIG. 9 is a first perspective exploded view thereof; and,

FIG. 10 is a second perspective exploded view thereof.

The broken lines shown in the drawings are included for purposes of illustrating portions of the bottle and form no part of the claimed design.

1 Claim, 9 Drawing Sheets



(56)

References Cited

U.S. PATENT DOCUMENTS

2018/0162582 A1* 6/2018 Deylamian A47G 19/2272

* cited by examiner

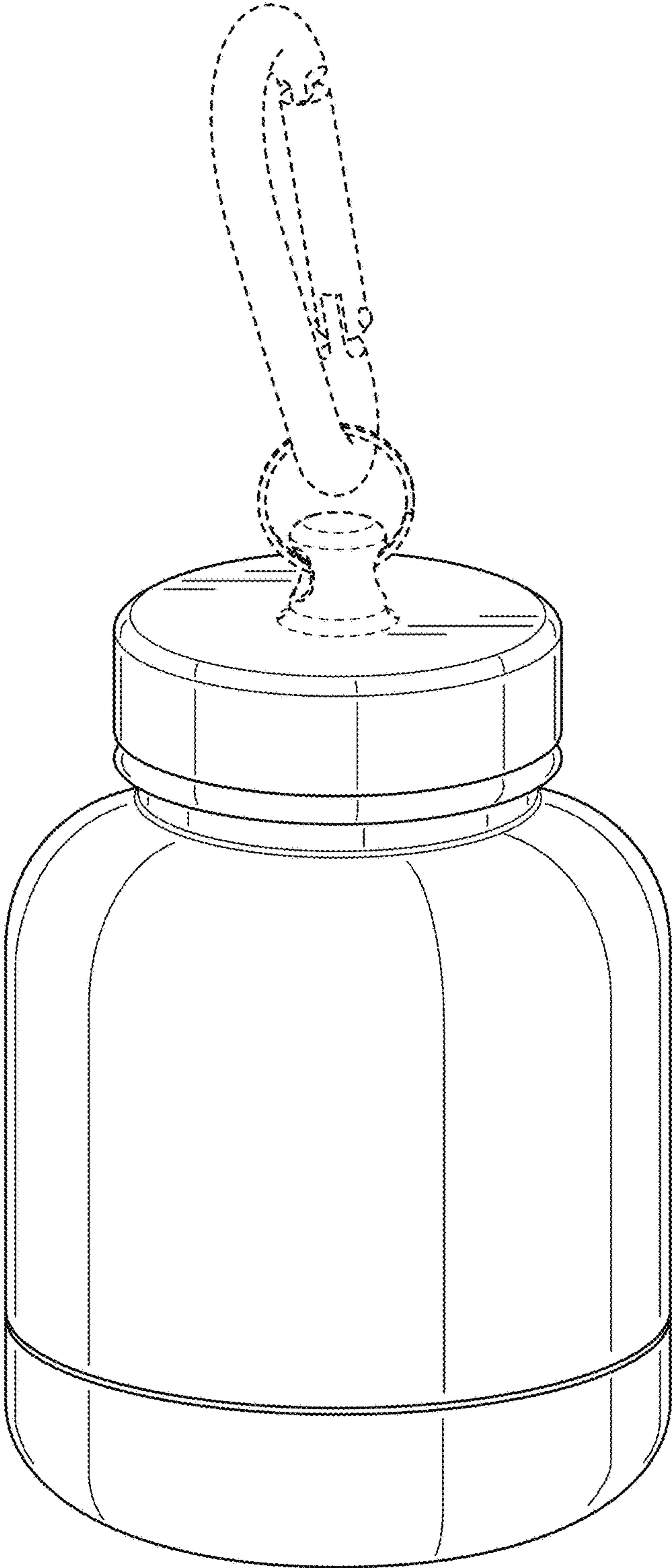


FIG. 1

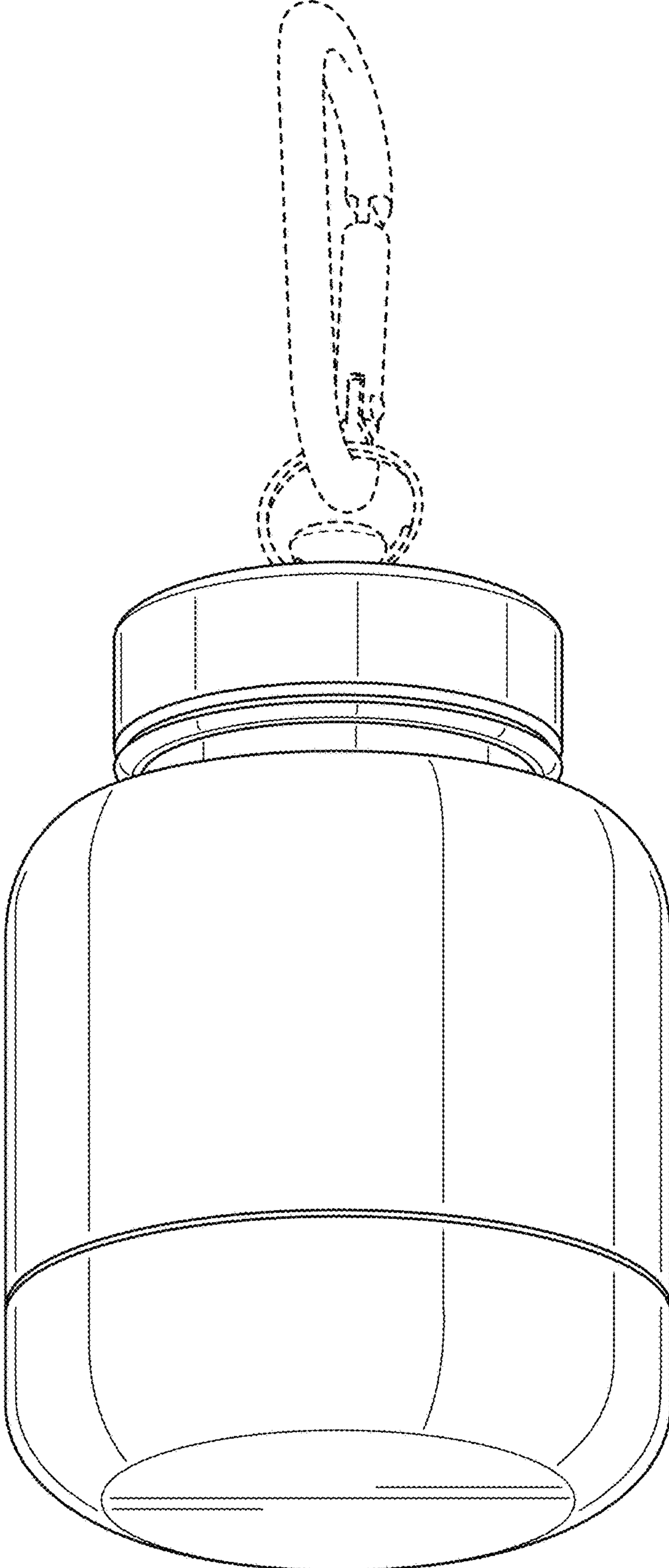


FIG. 2

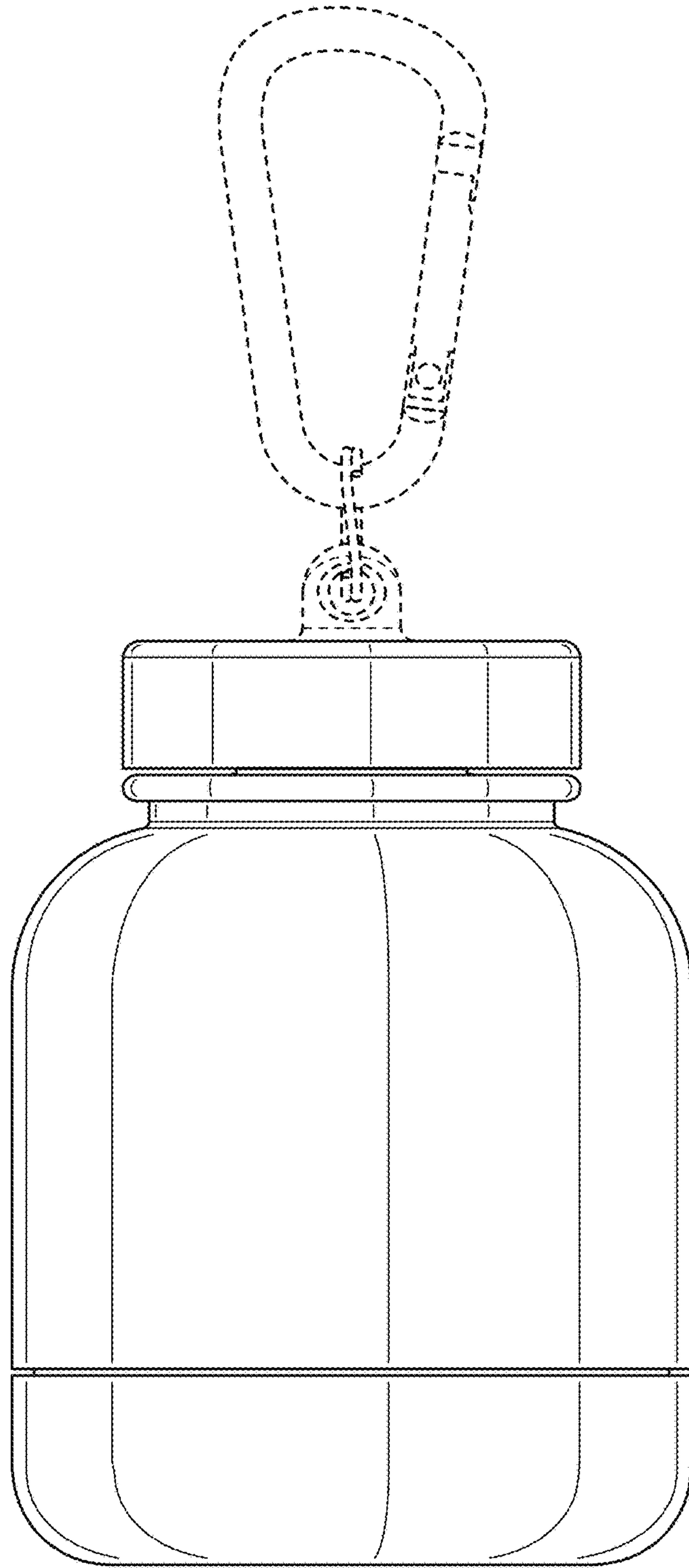


FIG. 3

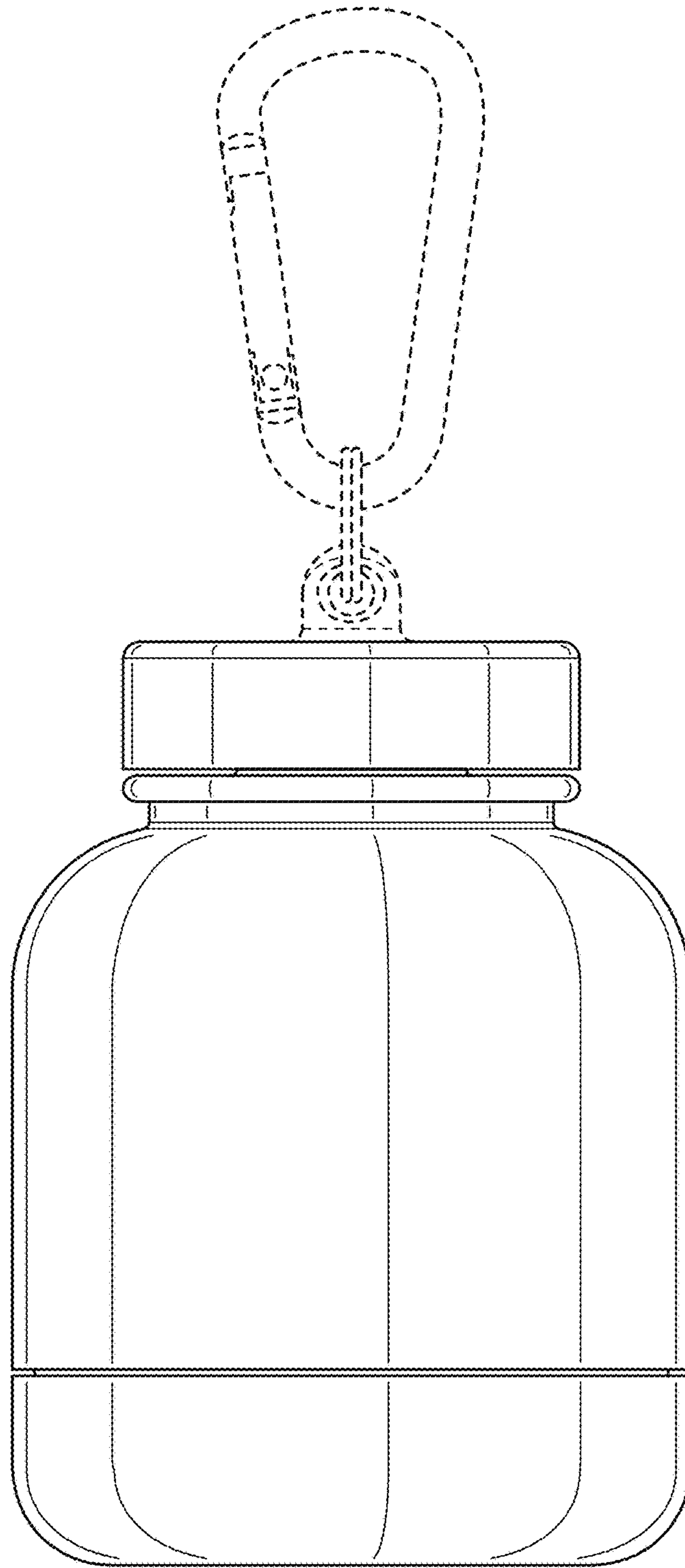


FIG. 4

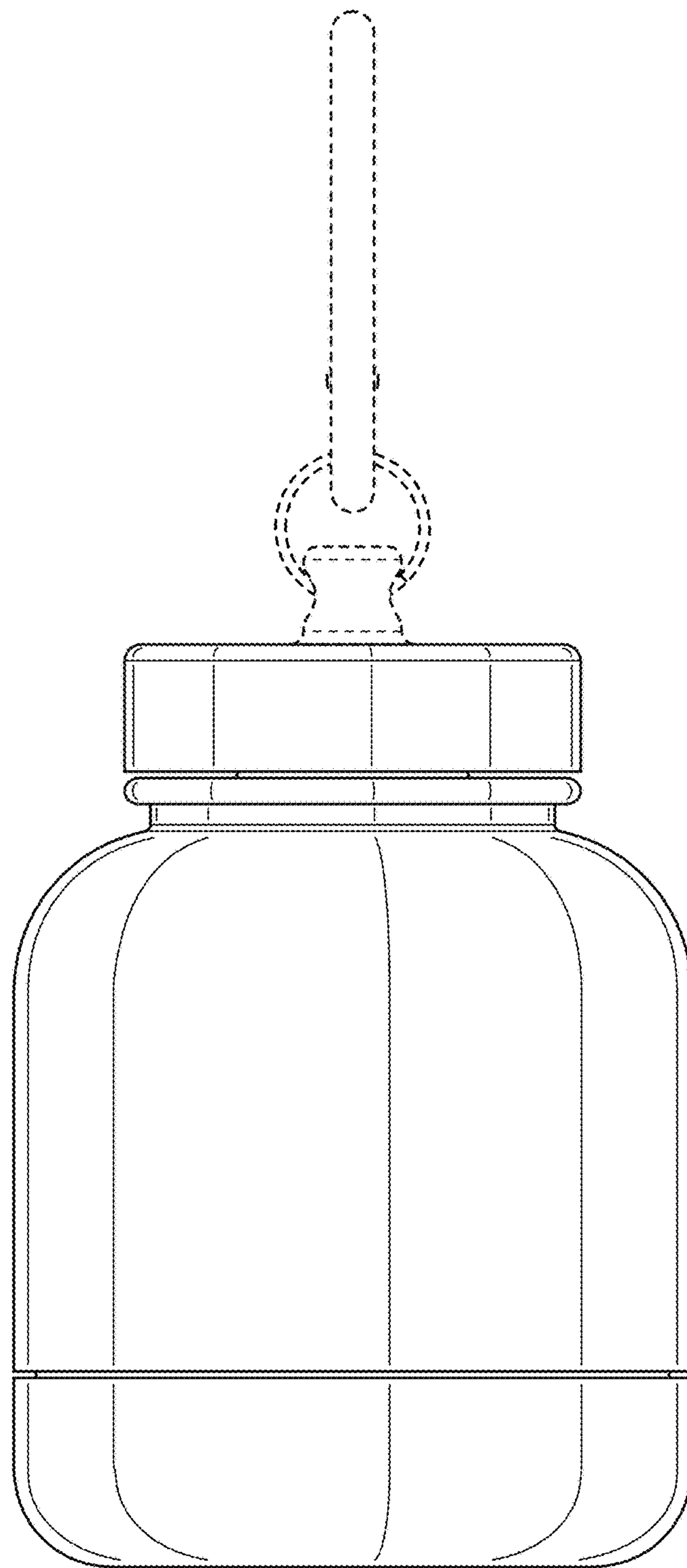


FIG. 5

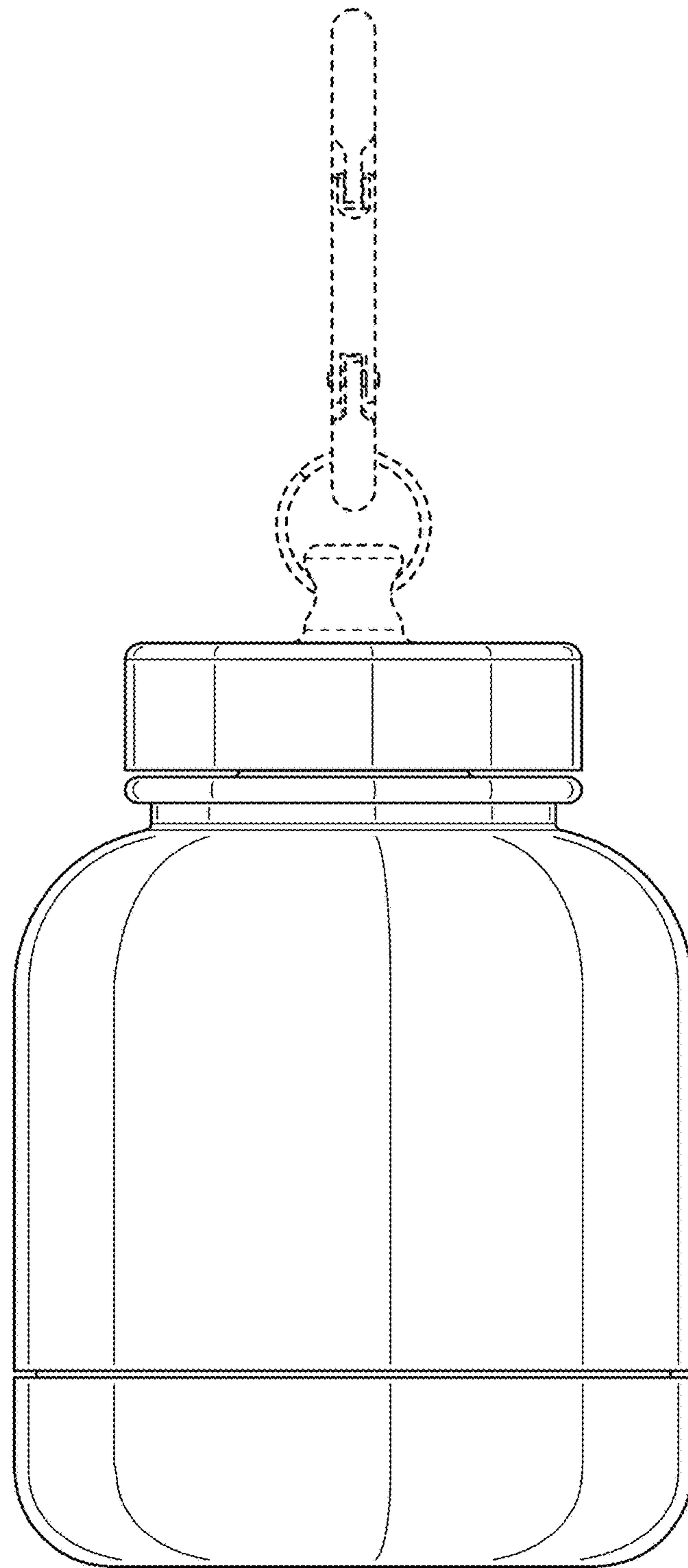


FIG. 6

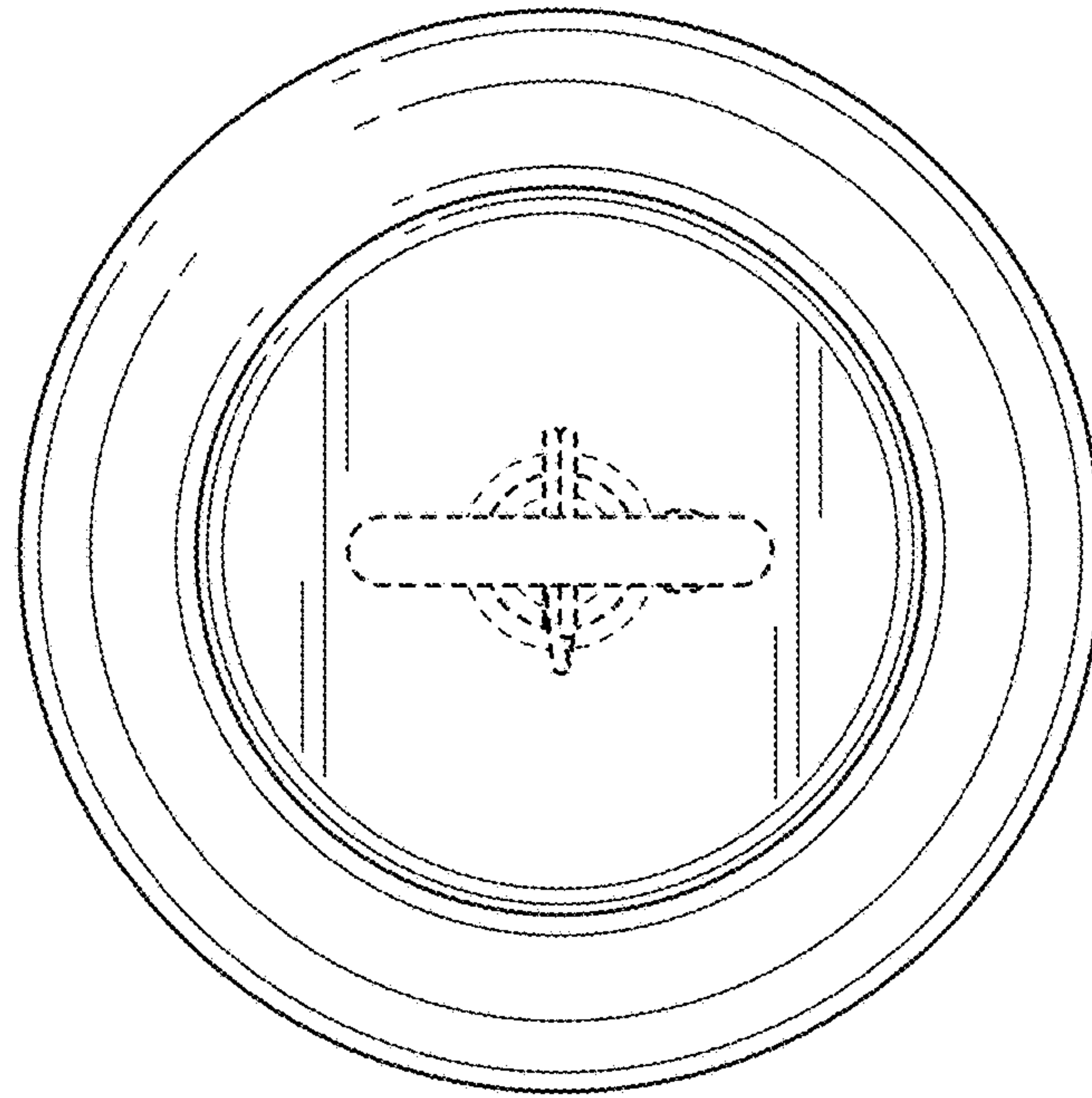


FIG. 7

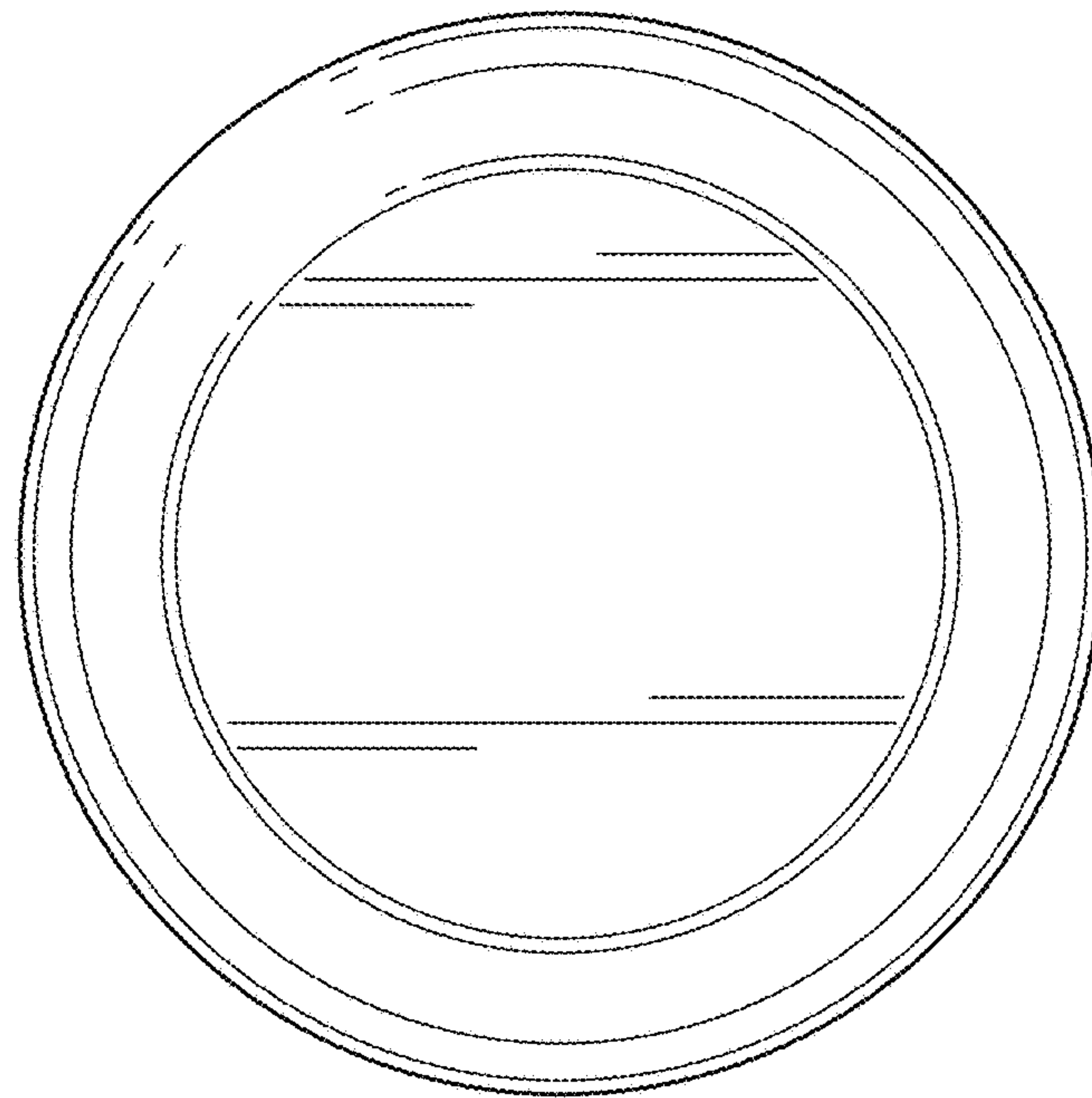


FIG. 8



FIG. 9

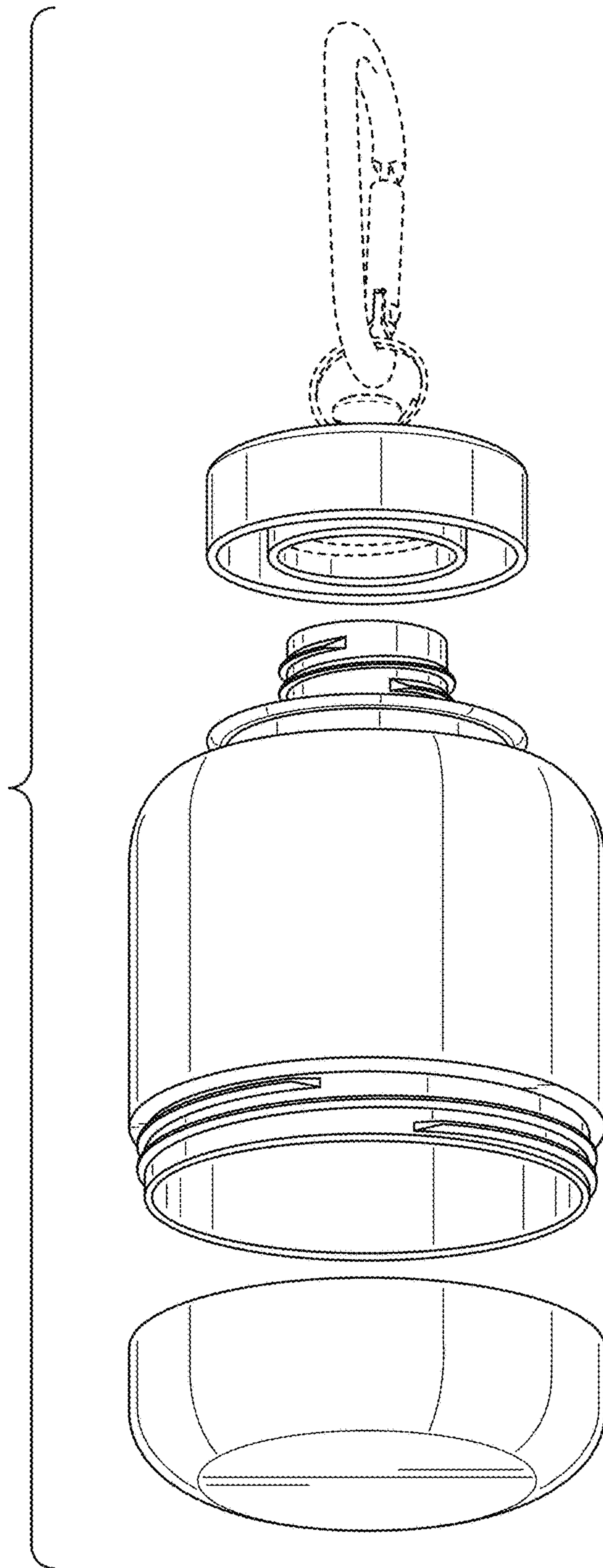


FIG. 10