



US00D844434S

(12) **United States Design Patent** (10) **Patent No.:** **US D844,434 S**
Toribio et al. (45) **Date of Patent:** **** Apr. 2, 2019**

(54) **CONTAINER WITH RIBBED NECK**
(71) Applicant: **Silgan Plastics LLC**, Chesterfield, MO (US)
(72) Inventors: **Anthony Toribio**, Suwanee, GA (US);
Randal D. Porter, Norcross, GA (US);
William J. Peek, Lawrenceville, GA (US)

D431,470 S 10/2000 Henderson
D460,357 S 7/2002 Kras et al.
6,648,157 B2 11/2003 Shai et al.
D513,587 S 1/2006 Forte
D542,654 S 5/2007 Szczesniak
D542,655 S 5/2007 Szczesniak
D542,656 S 5/2007 Szczesniak
D544,348 S 6/2007 Szczesniak

(Continued)

(73) Assignee: **Silgan Plastics LLC**, Chesterfield, MI (US)
(**) Term: **15 Years**
(21) Appl. No.: **29/654,500**
(22) Filed: **Jun. 25, 2018**

FOREIGN PATENT DOCUMENTS

JP 08156951 6/1996

Primary Examiner — Sheryl Lane

Assistant Examiner — Calvin E Vansant

(74) *Attorney, Agent, or Firm* — Reinhart Boerner Van Deuren s.c.

Related U.S. Application Data

(62) Division of application No. 29/527,550, filed on May 20, 2015, now Pat. No. Des. 824,264, which is a division of application No. 29/413,097, filed on Feb. 10, 2012, now Pat. No. Des. 732,391.
(51) **LOC (11) Cl.** **09-03**
(52) **U.S. Cl.**
USPC **D9/500**; D9/521
(58) **Field of Classification Search**
USPC D9/499, 500, 516, 521, 740
CPC B29B 11/08; B29C 43/203; B65D 23/08
See application file for complete search history.

(57) **CLAIM**

We claim the ornamental design for a container with ribbed neck, as shown and described.

DESCRIPTION

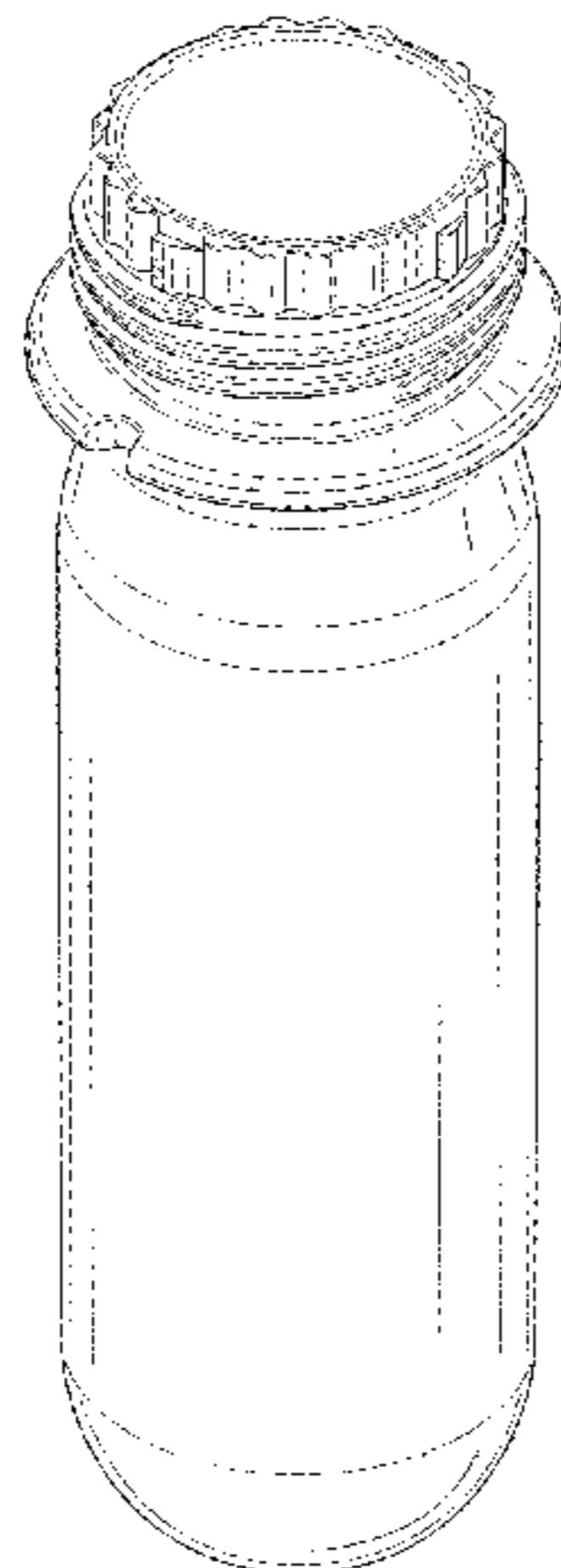
FIG. 1 is a perspective view of the claimed design;
FIG. 2 is a front elevational view of the claimed design of FIG. 1;
FIG. 3 is a right side elevational of the claimed design of FIG. 1;
FIG. 4 is a rear elevational view of the claimed design of FIG. 1;
FIG. 5 is a left side elevational view of the claimed design of FIG. 1;
FIG. 6 is a top plan view of the claimed design of FIG. 1; and,
FIG. 7 is a bottom plan view of the claimed design of FIG. 1.
The ornamental design which is claimed is shown in solid lines in the drawings. The dashed broken lines depict portions of the container with ribbed neck that form no part of the claim.

(56) **References Cited**

U.S. PATENT DOCUMENTS

2,423,582 A 7/1947 Coleman
2,790,576 A 4/1957 Lawrence
3,295,708 A 1/1967 Wathen, Jr.
4,863,046 A 9/1989 Collette et al.
4,913,299 A 4/1990 Petro
4,934,547 A 6/1990 Mayes et al.
D360,582 S 7/1995 McDonald et al.

1 Claim, 6 Drawing Sheets



(56)

References Cited

U.S. PATENT DOCUMENTS

D624,423	S	9/2010	Kissinger	
D633,386	S	3/2011	Taber et al.	
D633,392	S *	3/2011	Northrop	D9/499
D634,199	S	3/2011	Taber et al.	
7,976,767	B2	7/2011	Ungrady et al.	
D644,536	S *	9/2011	Witz	D9/499
D651,093	S	12/2011	Van Rens	
D732,391	S *	6/2015	Toribio	B65D 1/0246 D9/516
9,205,946	B2 *	12/2015	Toribio	B65D 1/0246
D824,264	S *	7/2018	Toribio	D9/575
2004/0140284	A1	7/2004	Taylor et al.	
2011/0290754	A1	12/2011	Taber et al.	
2011/0290755	A1	12/2011	Taber et al.	
2012/0312769	A1 *	12/2012	Prozumenschikov	B65D 1/0246 215/252

* cited by examiner

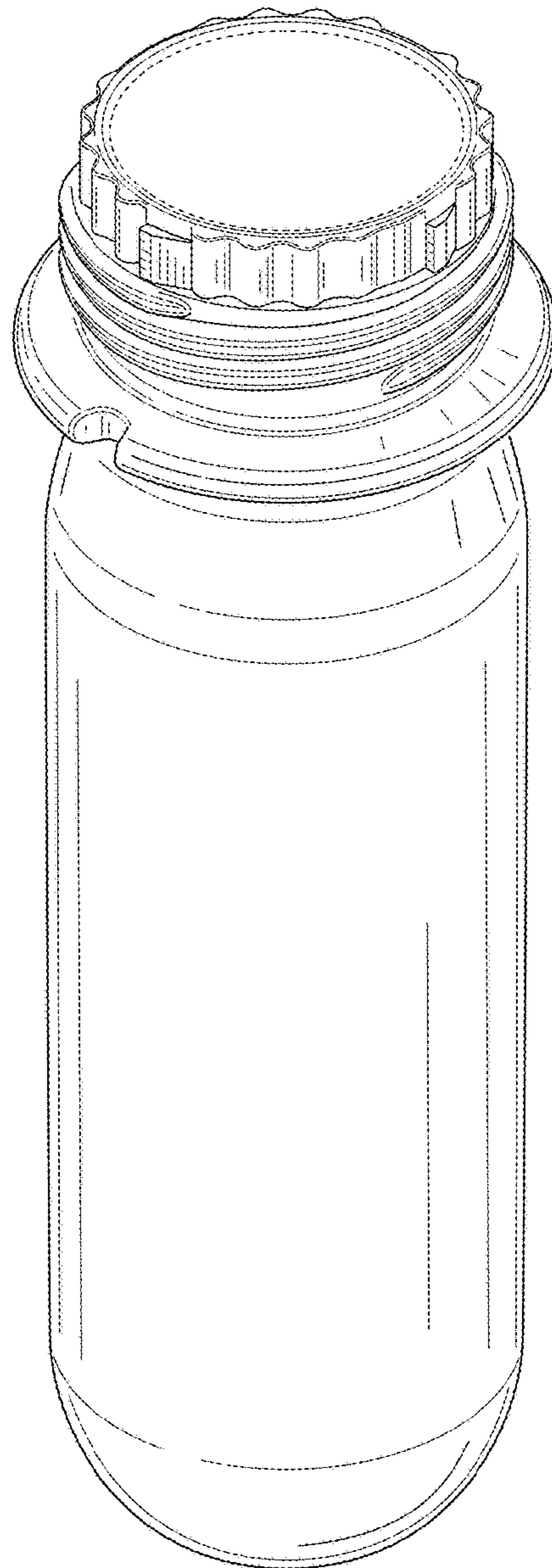


FIG. 1

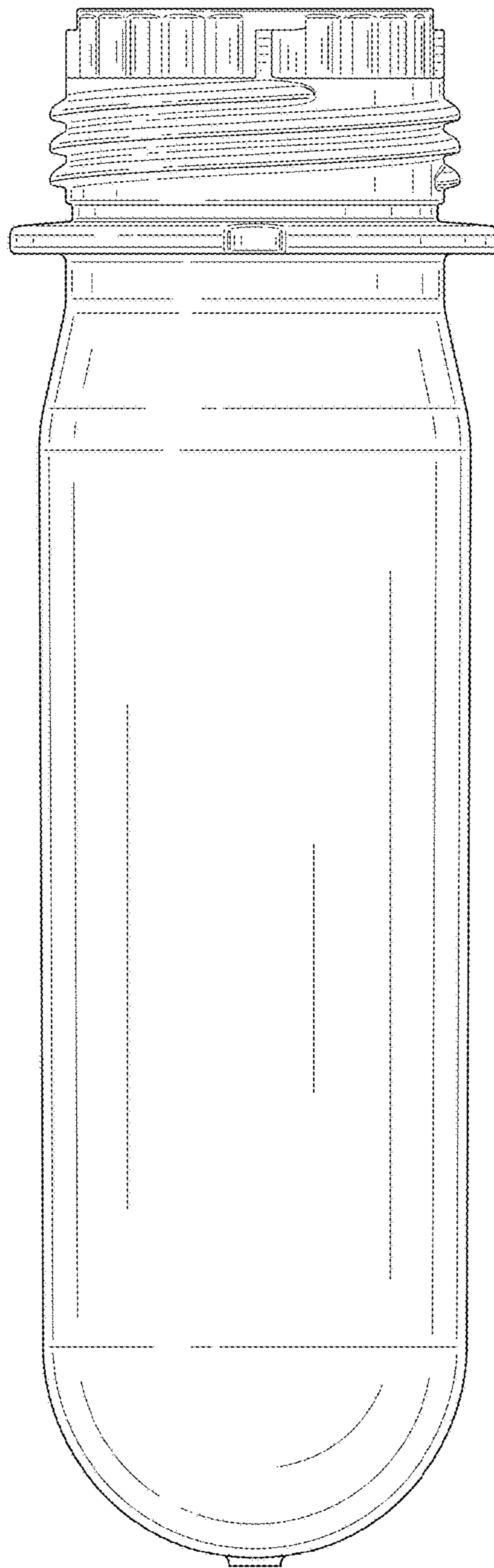


FIG. 2

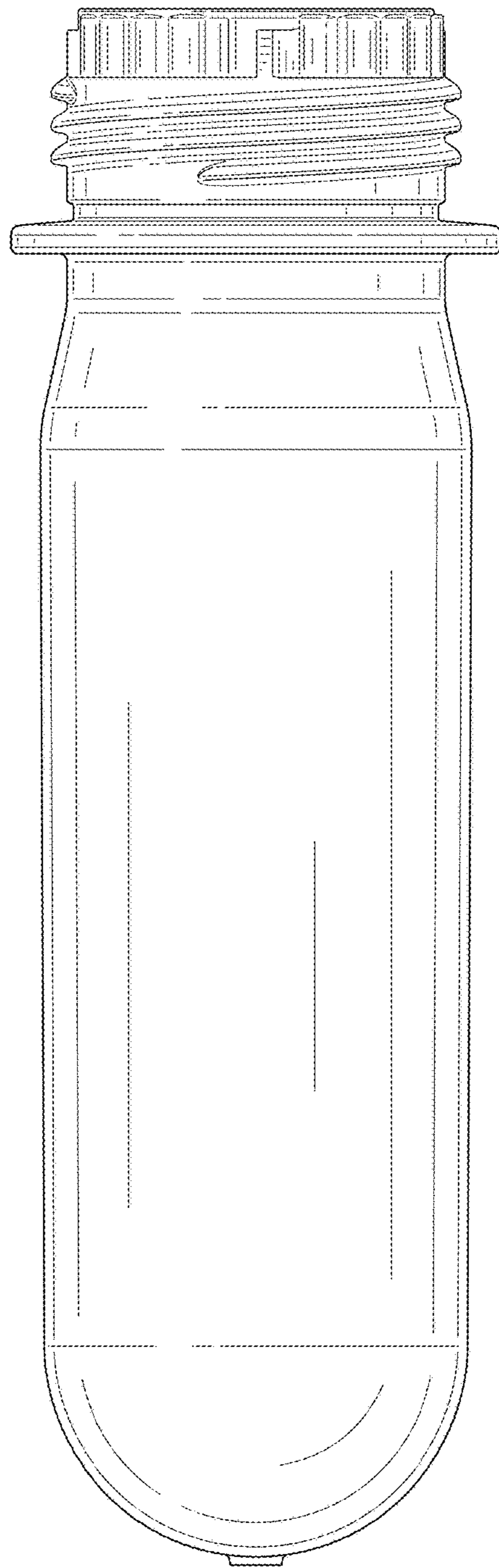


FIG. 3

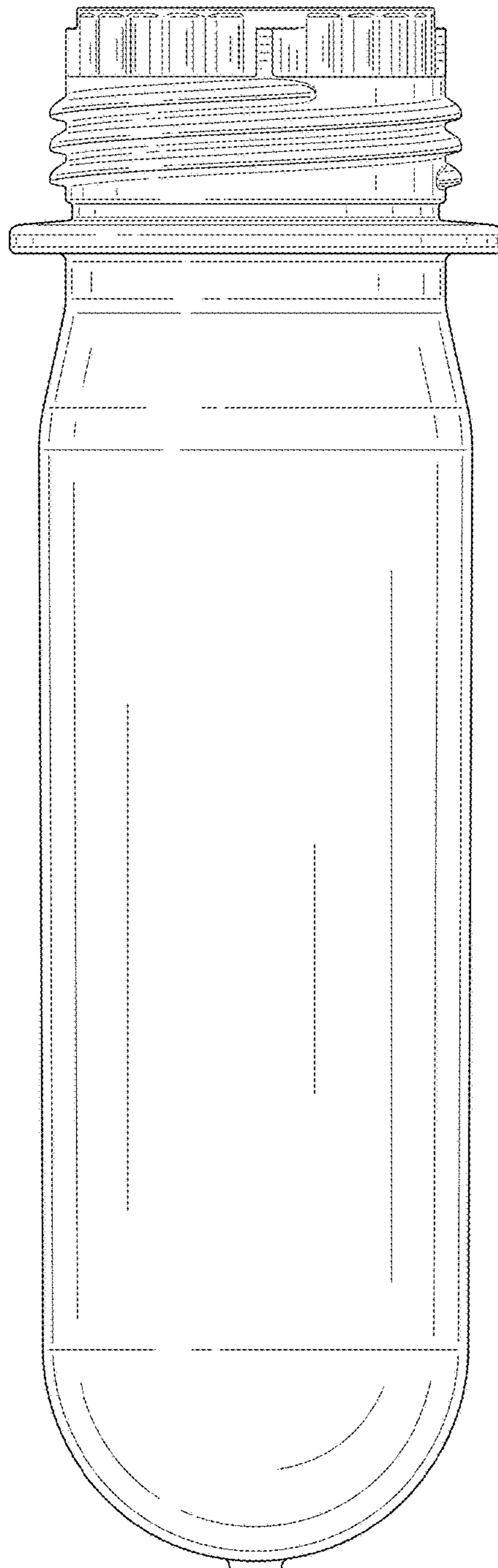


FIG. 4

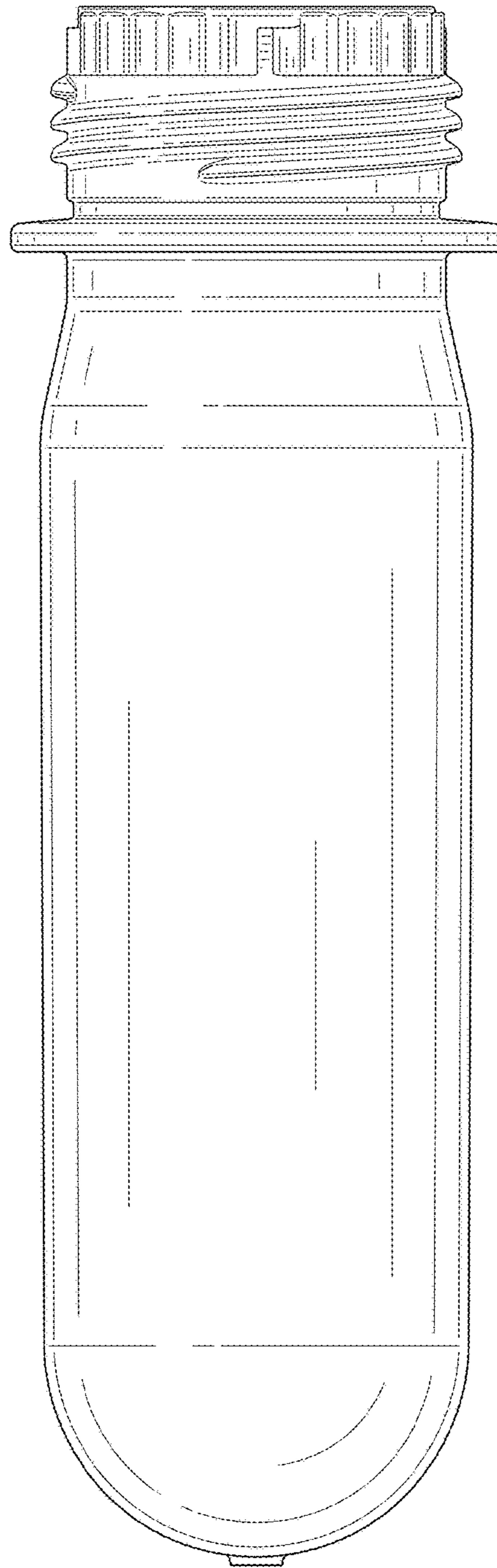


FIG. 5

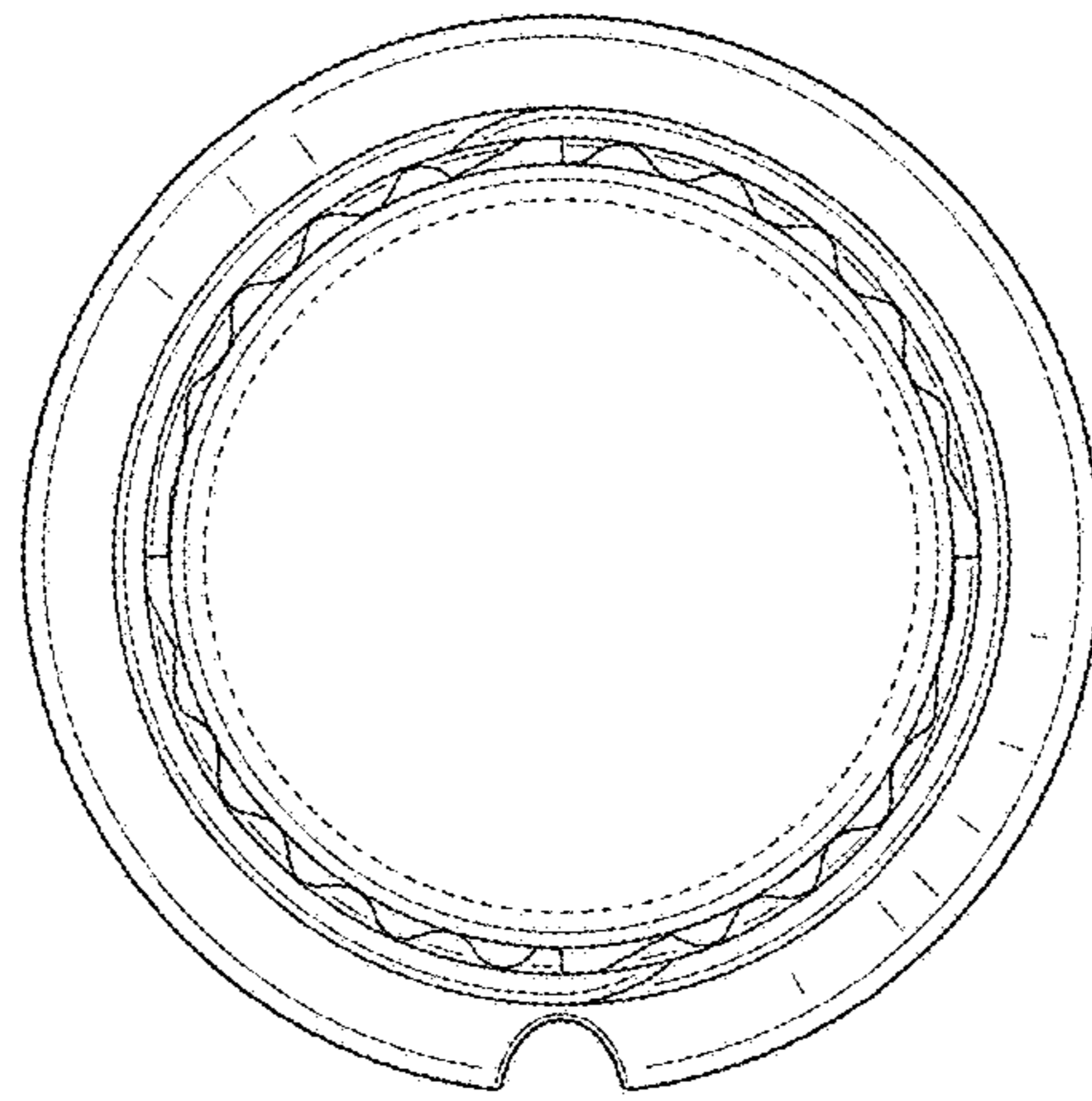


FIG. 6

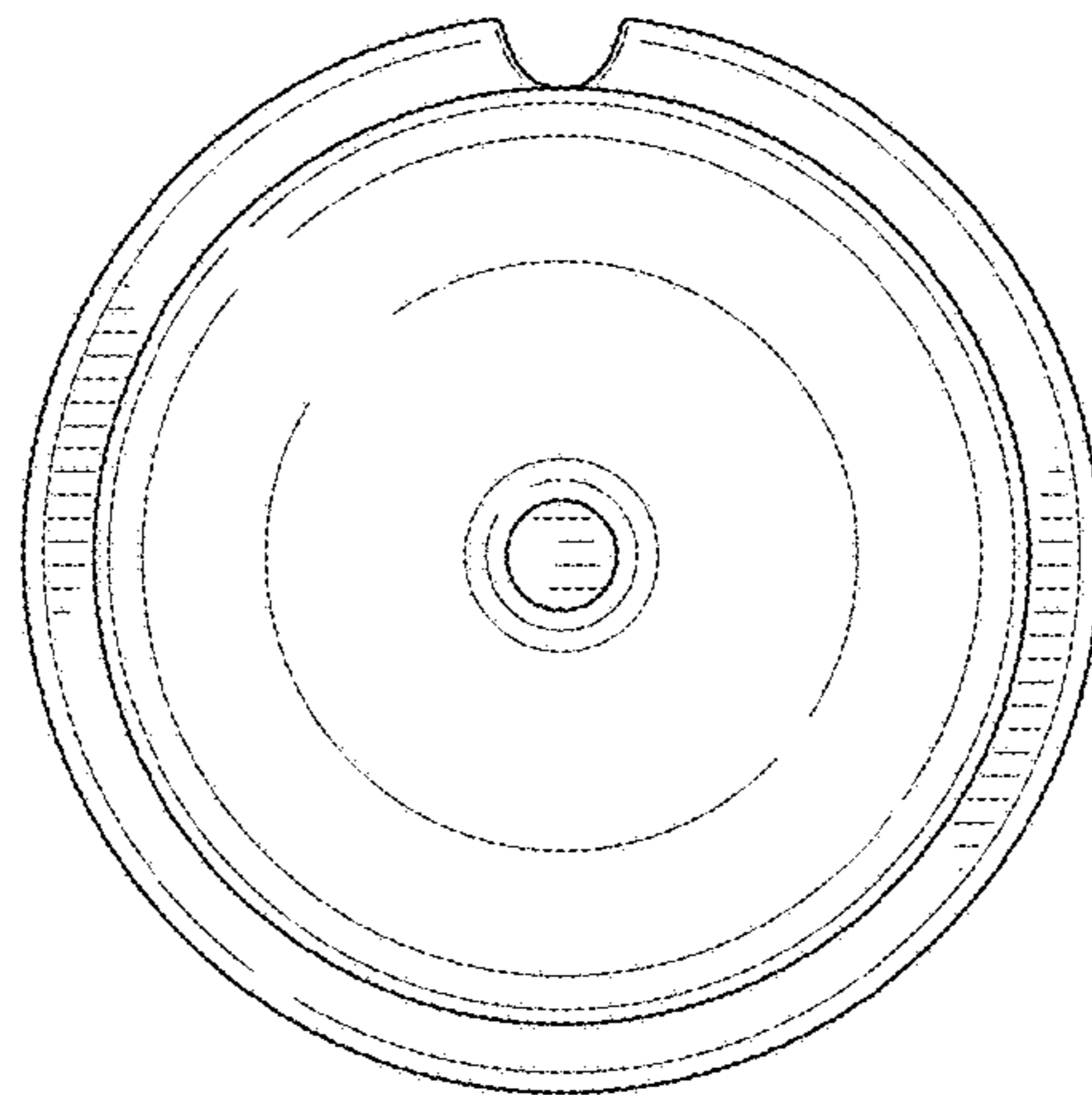


FIG. 7