



US00D844432S

(12) **United States Design Patent** (10) **Patent No.:** **US D844,432 S**
Bliss et al. (45) **Date of Patent:** **** Apr. 2, 2019**

(54) **STORAGE CONTAINER CLOSURE DEVICE ASSEMBLY**

(71) Applicant: **Jameson Leslie, LLC**, Lindon, UT (US)

(72) Inventors: **Richard L Bliss**, Lindon, UT (US); **Daniel J Moss**, Pleasant Grove, UT (US)

(73) Assignee: **Jameson Leslie, LLC**, Lindon, UT (US)

(**) Term: **15 Years**

(21) Appl. No.: **29/564,005**

(22) Filed: **May 10, 2016**

(51) **LOC (11) Cl.** **09-07**

(52) **U.S. Cl.**
USPC **D9/443**

(58) **Field of Classification Search**
USPC D9/428, 429, 434, 435, 442, 443, D9/445-450, 453-456, 499, 682, 684, D9/685, 726; D7/387, 388, 392, 392.1, D7/393, 396.2, 396.3, 396.4, 401.1, 408, D7/504, 507, 509-511, 538, 900; D3/202, 203.2, 318; D28/91.1
CPC .. A61J 1/00; A61J 1/1412; B65D 1/00; B65D 1/02; B65D 1/10; B65D 1/46; B65D 2585/56; B65D 2585/545; B65D 41/00; B65D 41/38; B65D 41/56; B65D 41/62; B65D 47/00; B65D 47/06; B65D 47/08; B65D 2543/00046; B65D 2543/00092;
(Continued)

(56) **References Cited**

U.S. PATENT DOCUMENTS

D171,578 S * 3/1954 Brucker D18/43
2,913,140 A * 11/1959 Vuilleminot B65D 21/022
206/508

(Continued)

Primary Examiner — Michael A. Pratt
Assistant Examiner — Wendy L Arminio
(74) *Attorney, Agent, or Firm* — Knobbe Martens Olson & Bear LLP

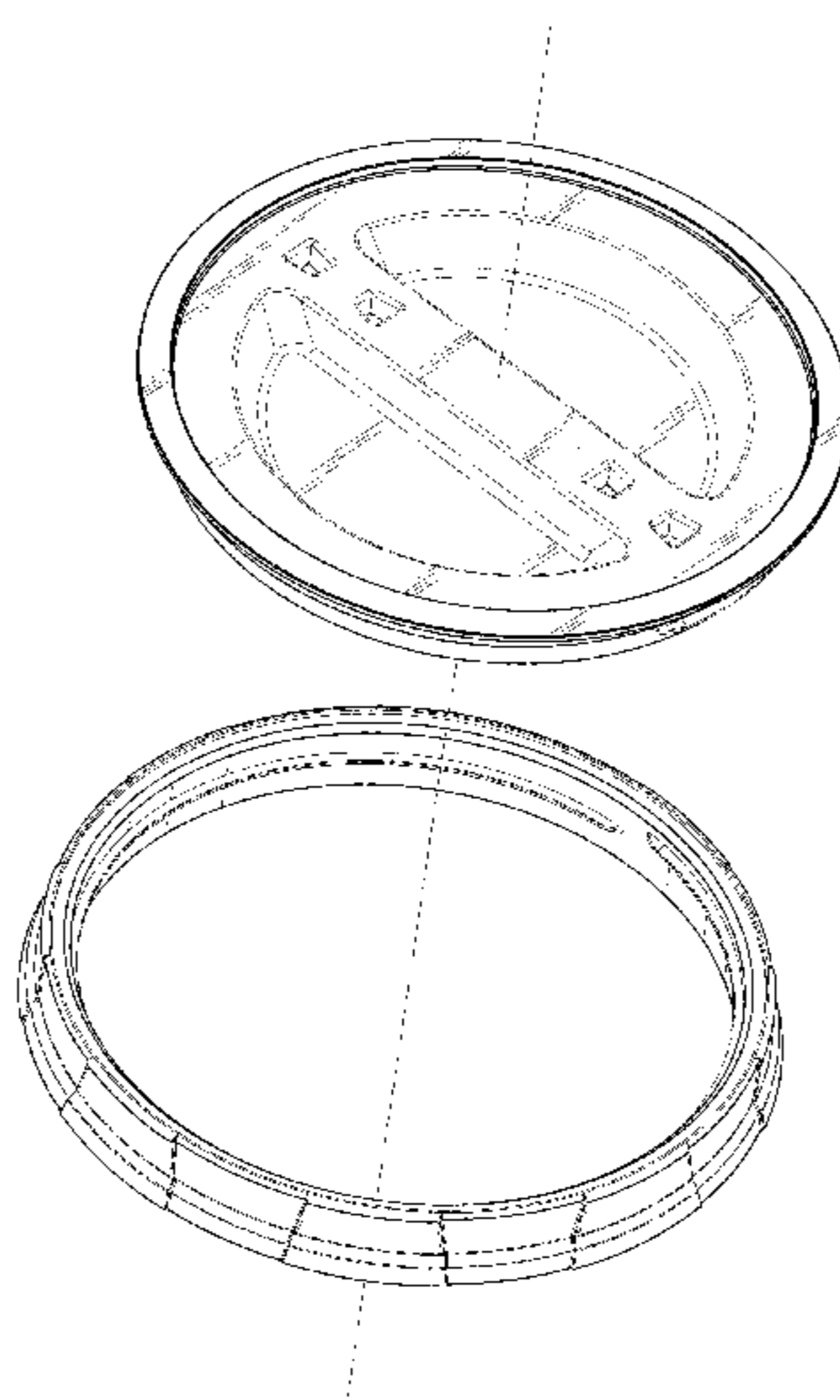
(57) **CLAIM**

The ornamental design for a storage container closure device assembly, as shown and described.

DESCRIPTION

FIG. 1 is a perspective view of a storage container lid portion of a storage container closure device assembly.
FIG. 2 is a top view of the storage container lid portion of FIG. 1.
FIG. 3 is a bottom view of the storage container lid portion of FIG. 1.
FIG. 4 is a right side view of storage container lid portion of FIG. 1.
FIG. 5 is a front view of the storage container lid portion of FIG. 1.
FIG. 6 is a left side view of the storage container lid portion of FIG. 1.
FIG. 7 is a rear view of the storage container lid portion of FIG. 1.
FIG. 8 is a perspective view of a rim portion of the storage container closure device assembly.
FIG. 9 is a bottom view of the rim portion of FIG. 8.
FIG. 10 is a top view of the rim portion of FIG. 8.
FIG. 11 is a front view of the rim portion of FIG. 8.
FIG. 12 is a rear view of the rim portion of FIG. 8.
FIG. 13 is a left view of the rim portion of FIG. 8.
FIG. 14 is a right side view of the rim portion of FIG. 8; and, FIG. 15 is a perspective view showing the storage container lid portion of FIG. 1 and the rim portion of FIG. 8 coaxially aligned in the manner of assembly.
Broken line are used to illustrate features which form no part of the claimed design.

1 Claim, 8 Drawing Sheets



(58) **Field of Classification Search**
 CPC B65D 2543/00296; B65D 5/46; B65D
 2251/00
 See application file for complete search history.

(56) **References Cited**

U.S. PATENT DOCUMENTS

D217,438 S * 5/1970 Balbach et al. D9/443
 D254,180 S * 2/1980 Morin D7/612
 4,252,246 A * 2/1981 Johnson B60K 15/0406
 220/288
 4,413,748 A * 11/1983 Kessler B65D 43/021
 220/212.5
 D276,700 S * 12/1984 Brown D9/436
 D305,197 S * 12/1989 Valdes D7/312
 D336,817 S * 6/1993 Wilcox, Jr. D7/392
 5,335,809 A * 8/1994 Toida A47J 41/0011
 220/23.88
 D358,988 S * 6/1995 Nolte D9/434
 5,597,058 A * 1/1997 Ewer F16D 11/14
 180/247
 D394,184 S * 5/1998 Demore D7/391
 5,908,080 A * 6/1999 Bigley B60K 17/3515
 180/247

D479,951 S * 9/2003 Segura D7/608
 D493,722 S * 8/2004 Cooper D9/504
 D494,468 S * 8/2004 Vovan D9/428
 D533,394 S * 12/2006 Chiang D7/368
 D543,411 S * 5/2007 Rittberg D7/354
 D568,094 S * 5/2008 Cohen D7/361
 7,464,830 B2 * 12/2008 Baughman B65D 39/084
 220/288
 D612,240 S * 3/2010 Cresswell D9/454
 D643,694 S * 8/2011 Lu D7/629
 D684,813 S * 6/2013 Eyal D7/392
 D696,790 S * 12/2013 Nemeth D24/224
 D708,009 S * 7/2014 Gillette D7/378
 D708,010 S * 7/2014 Gillette D7/378
 D711,227 S * 8/2014 Sheikh D9/435
 D712,740 S * 9/2014 Antal D9/435
 D717,469 S * 11/2014 Nemeth D24/224
 D726,006 S * 4/2015 Rapparini D9/434
 D730,734 S * 6/2015 Rapparini D9/454
 D749,948 S * 2/2016 Groglopo Favetto D9/443
 D754,584 S * 4/2016 Fretz D12/213
 D803,138 S * 11/2017 Fretz D12/213
 2005/0115157 A1 * 6/2005 Koga E02D 29/14
 52/3
 2014/0166659 A1 * 6/2014 Antal, Sr. B65D 43/0256
 220/521

* cited by examiner

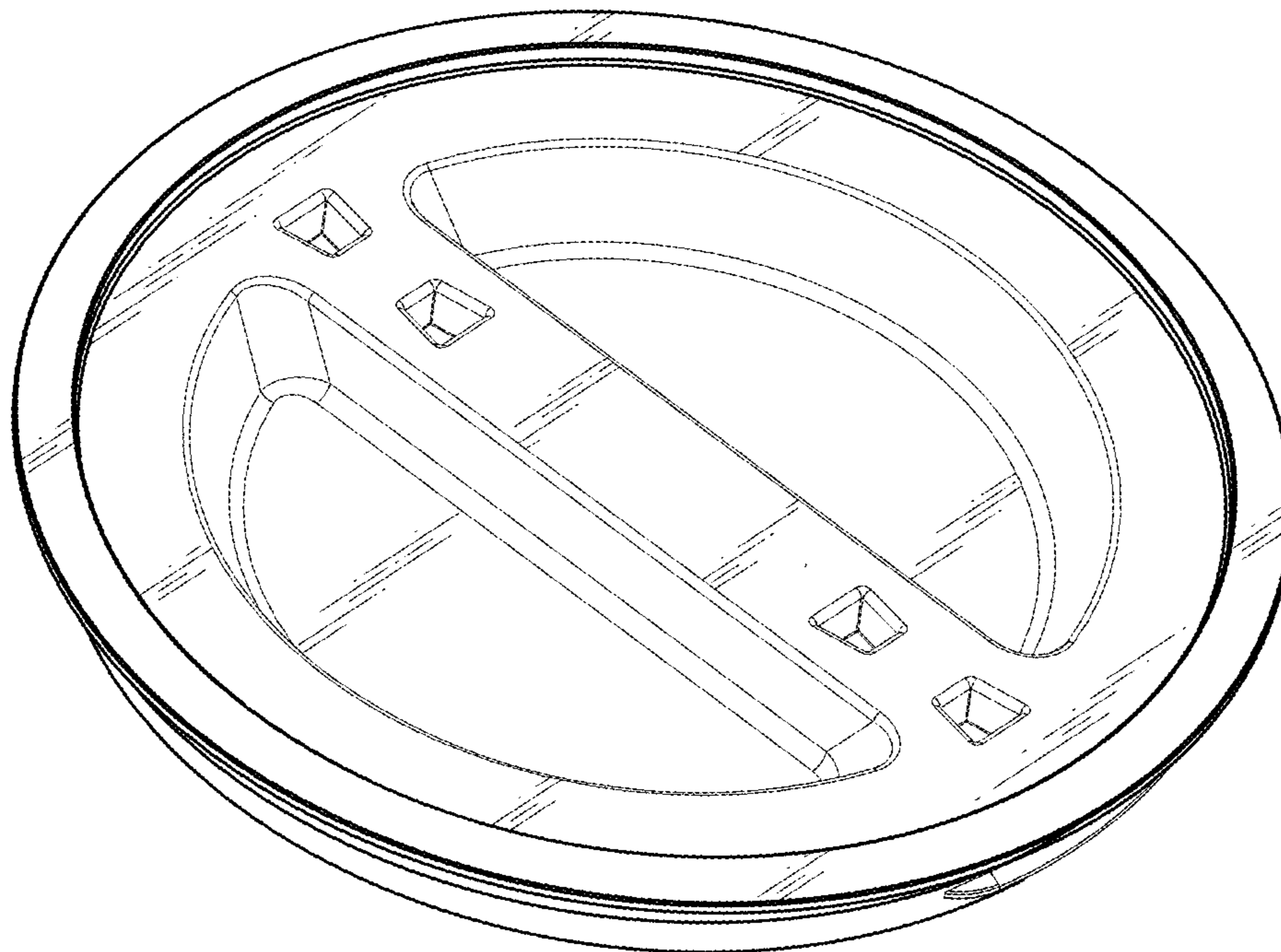


FIG. 1

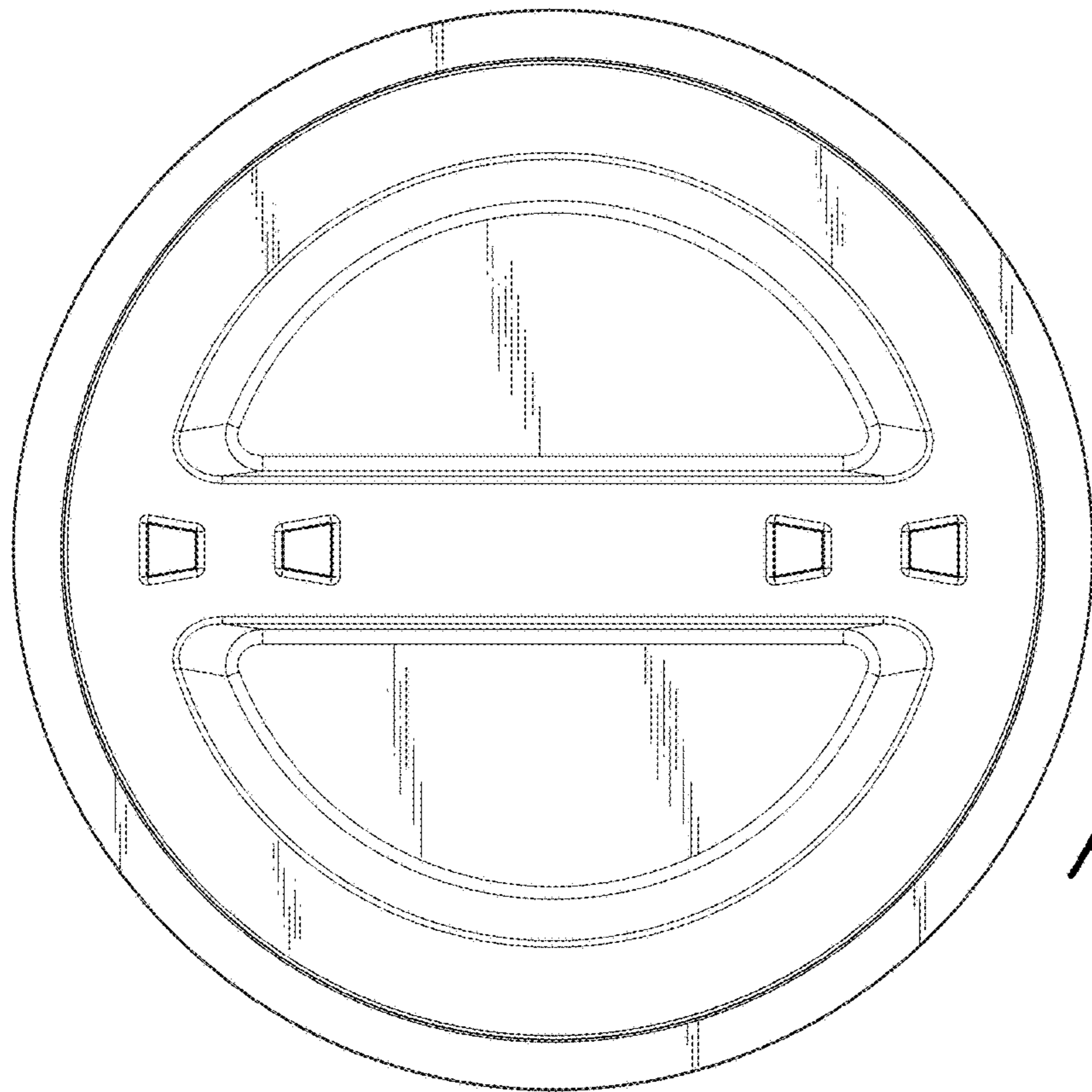


FIG. 2

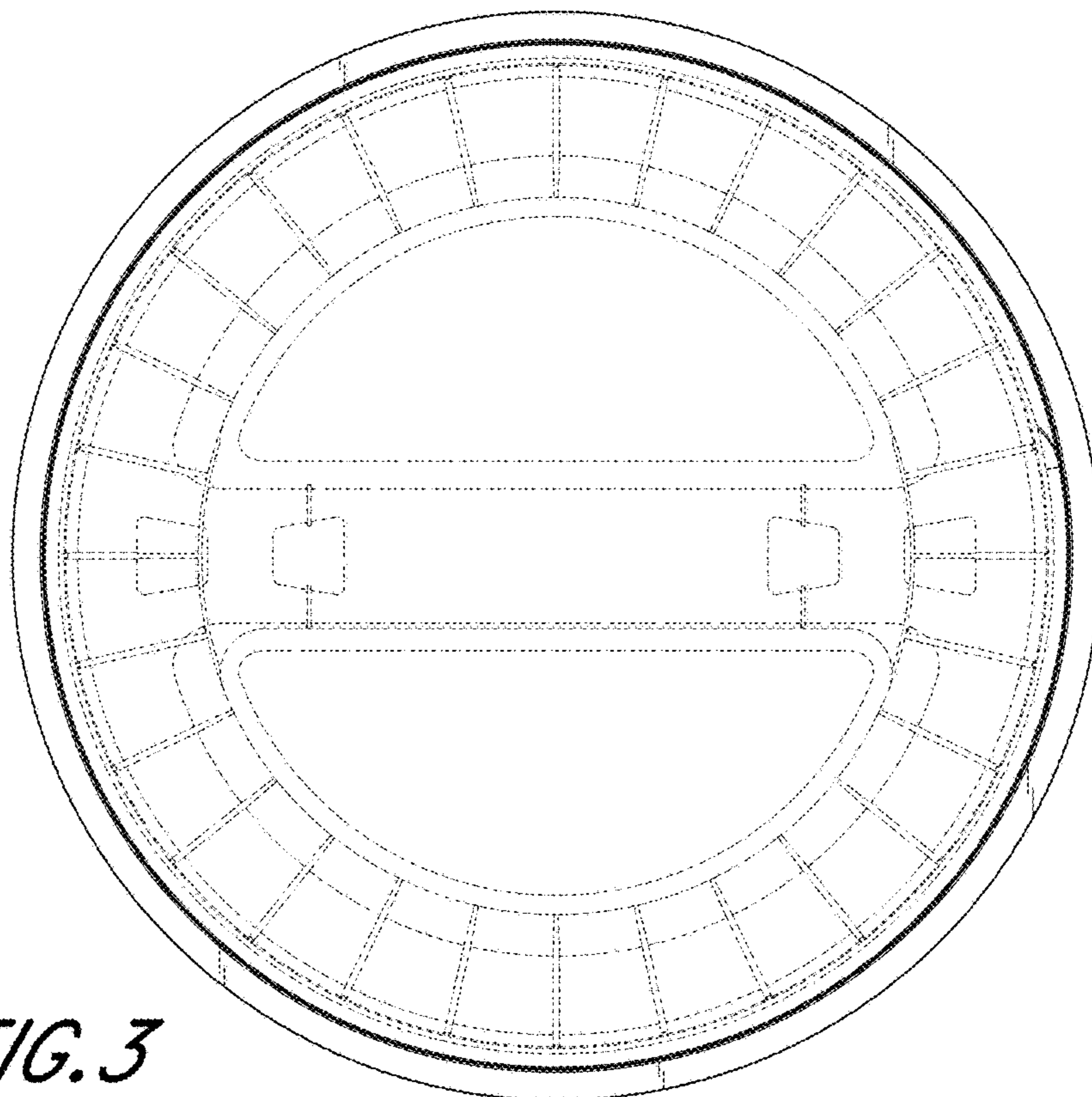


FIG. 3

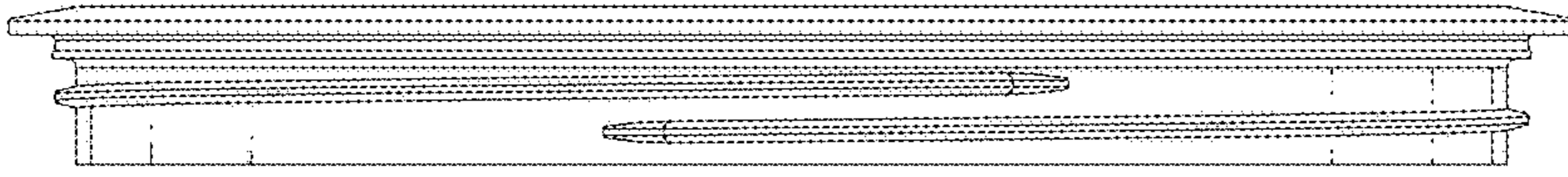


FIG. 4

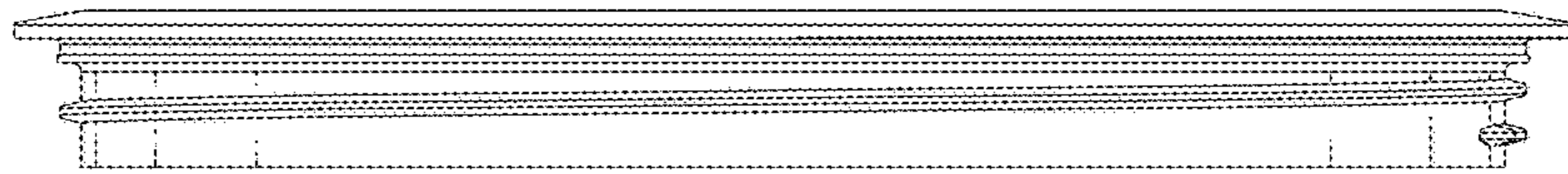


FIG. 5

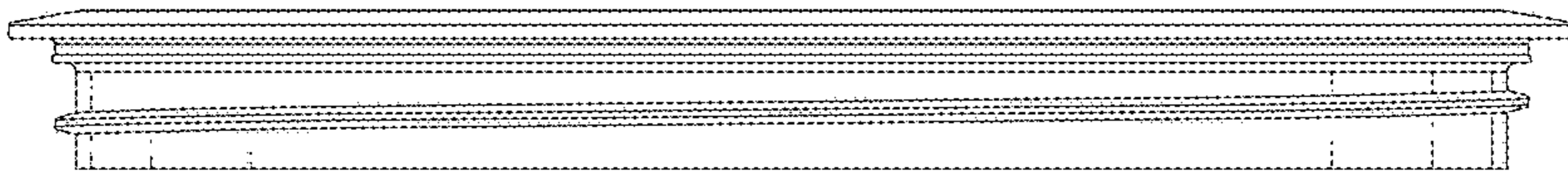


FIG. 6



FIG. 7

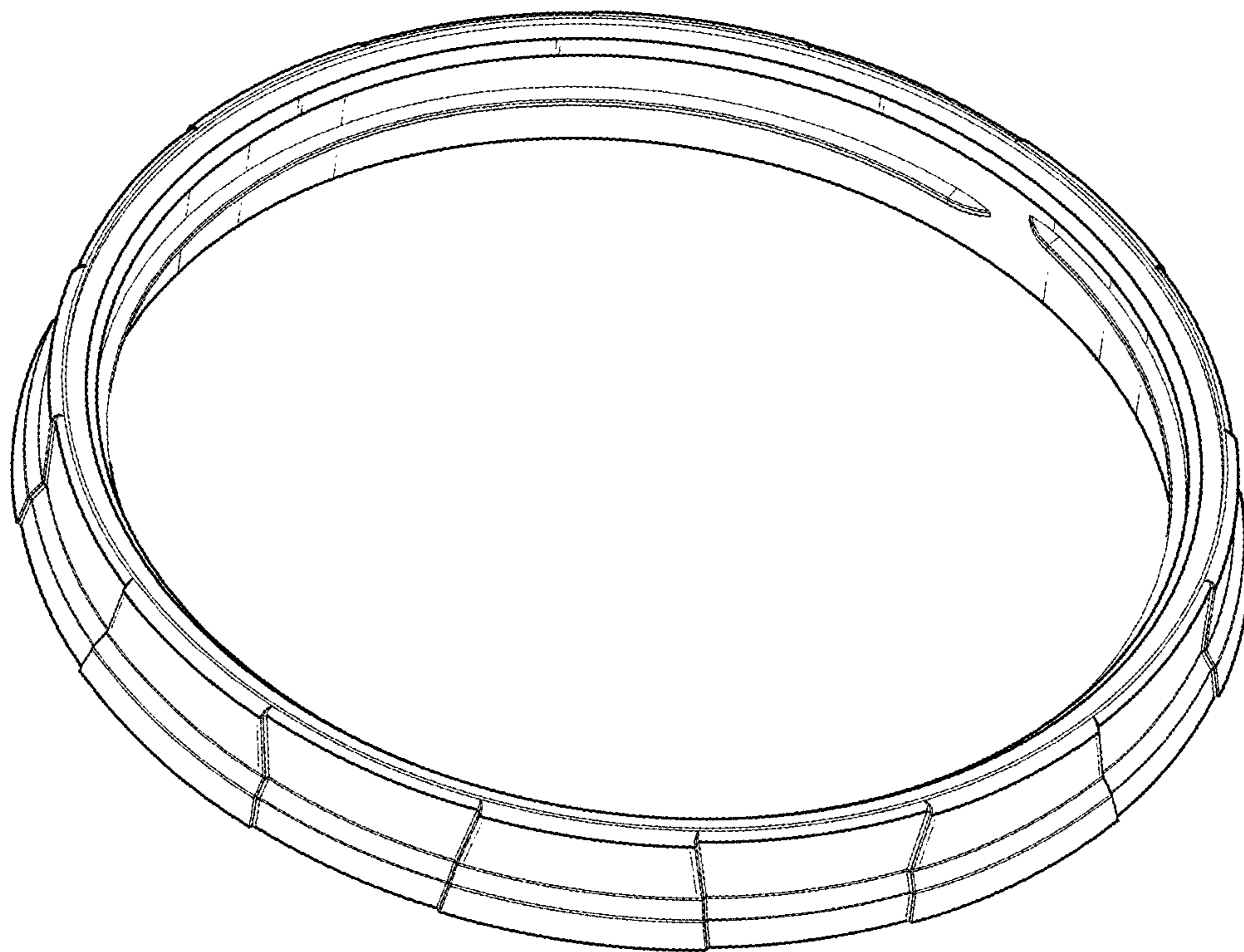


FIG. 8

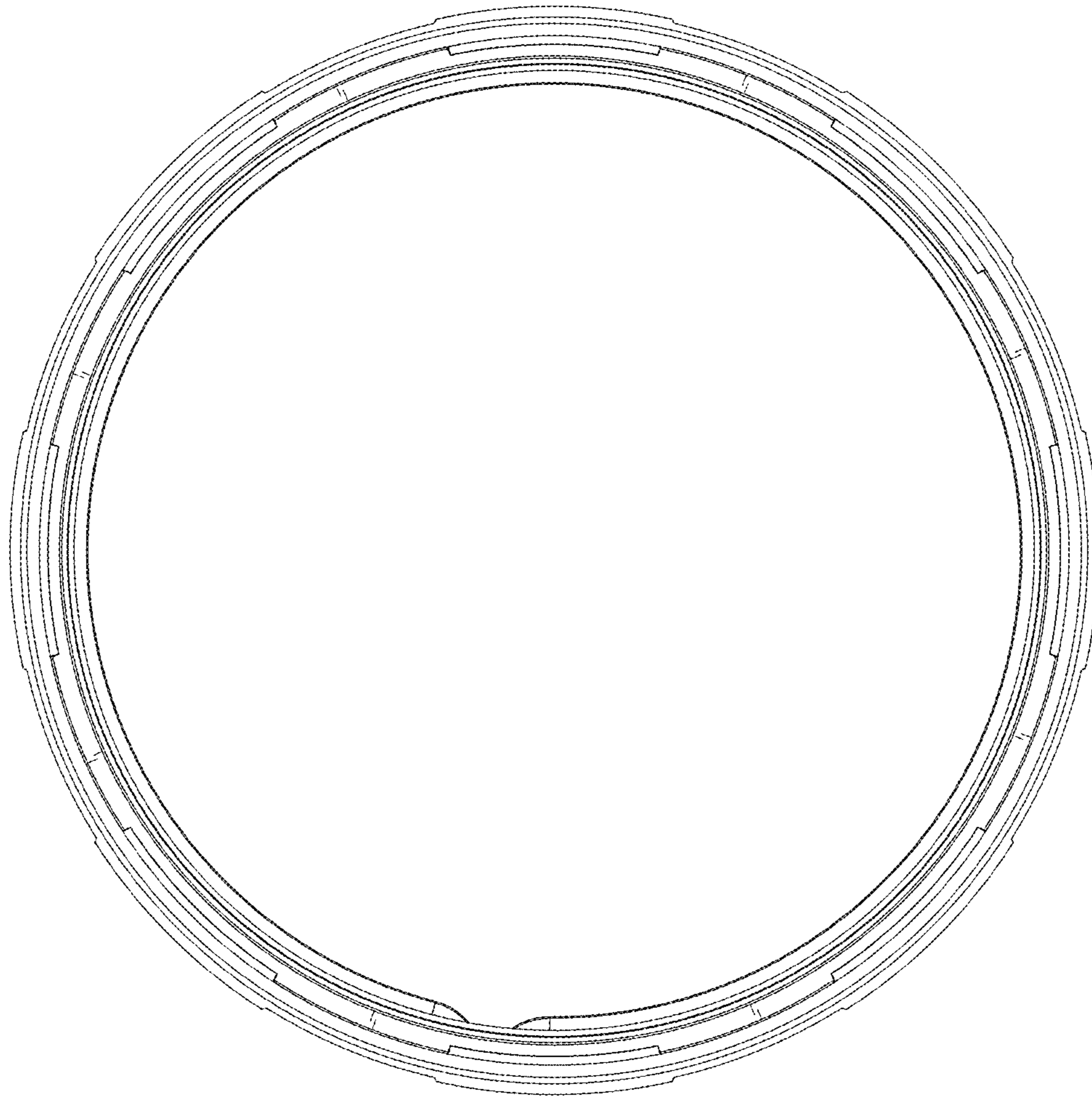


FIG. 9

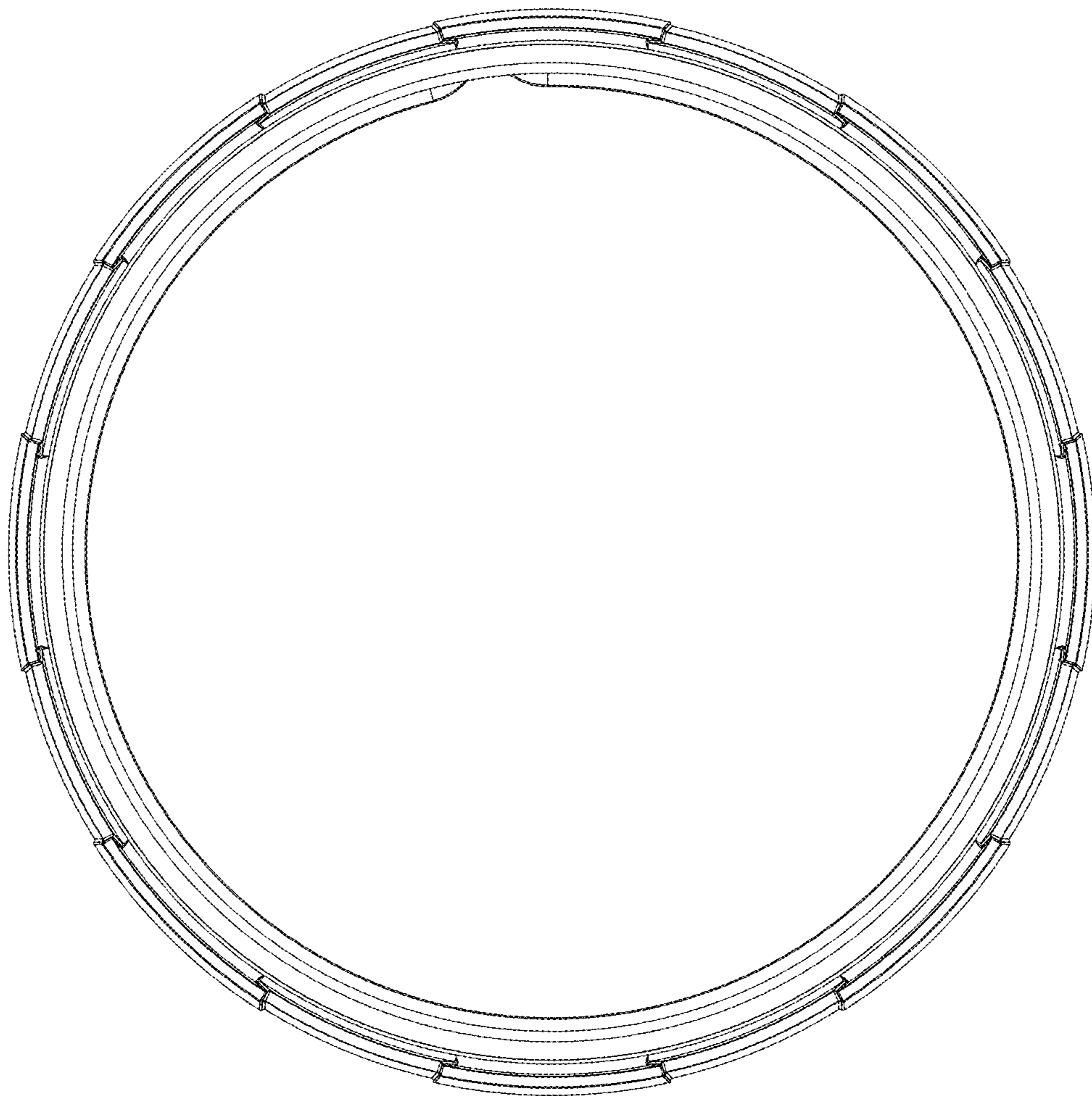


FIG. 10

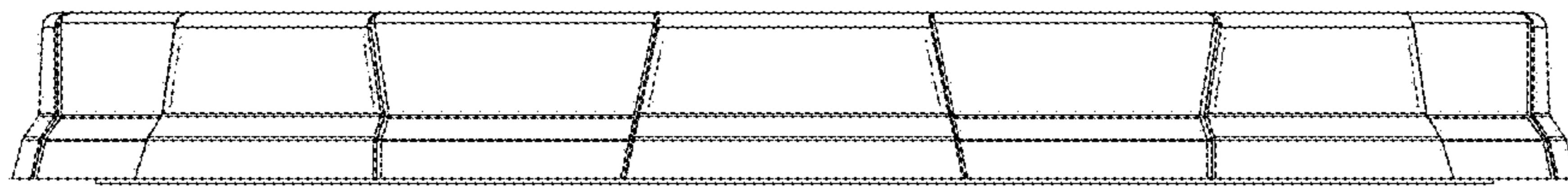


FIG. 11

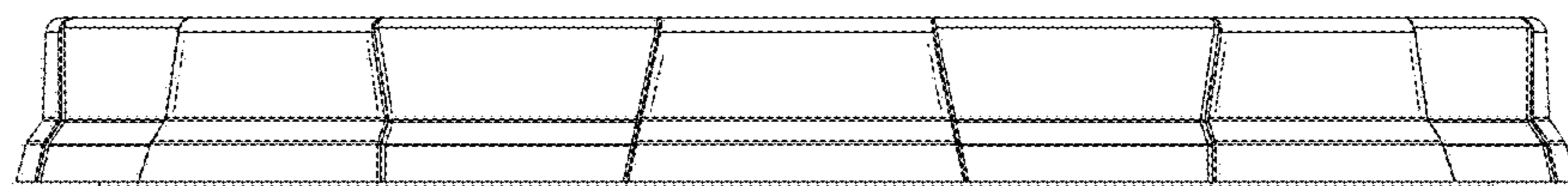


FIG. 12

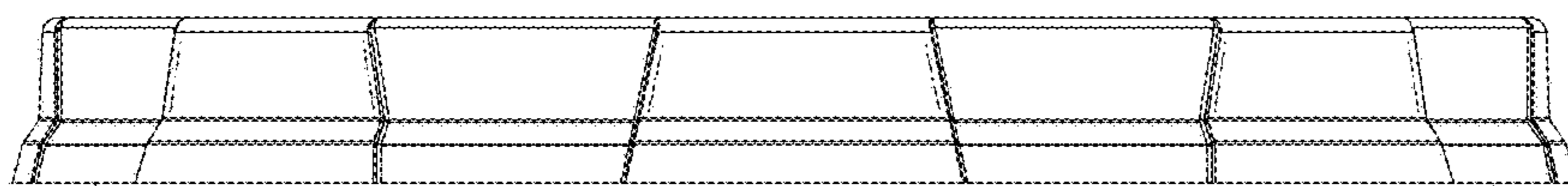


FIG. 13

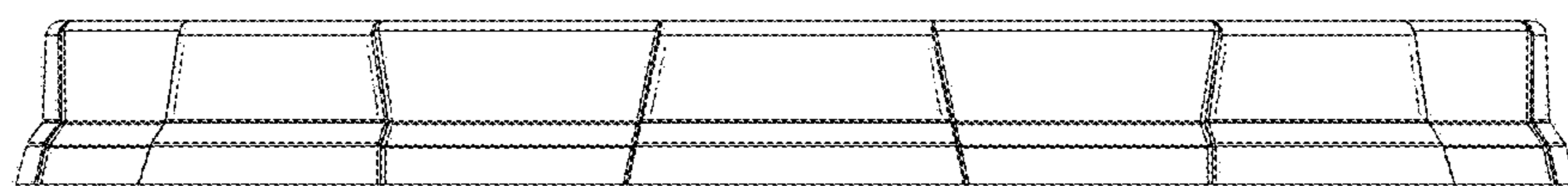


FIG. 14

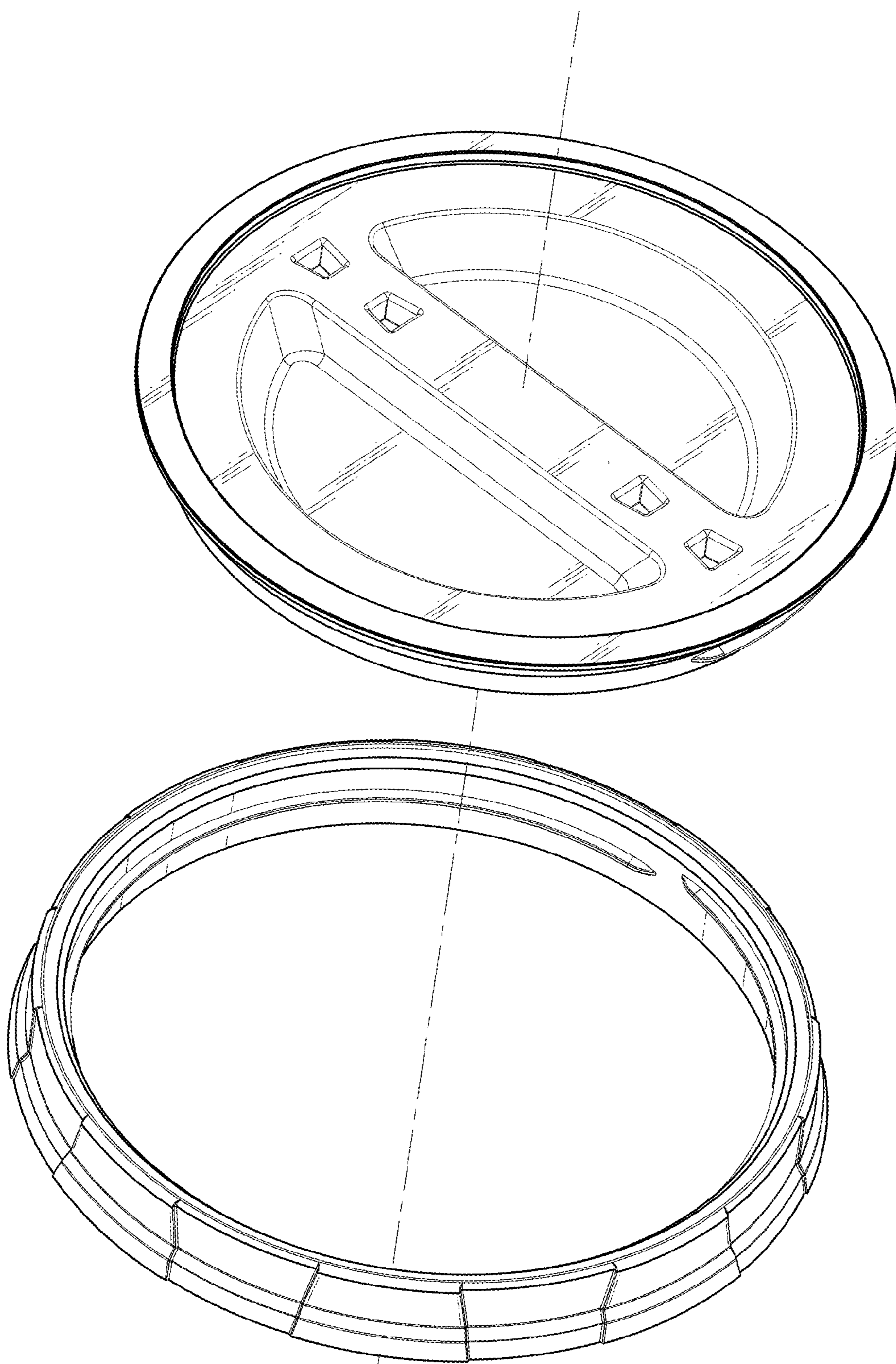


FIG. 15