



US00D844431S

(12) **United States Design Patent** (10) **Patent No.:** **US D844,431 S**  
**Carnduff et al.** (45) **Date of Patent:** **\*\* Apr. 2, 2019**

- (54) **PACKAGE**
- (71) Applicant: **The Gillette Company**, Boston, MA (US)
- (72) Inventors: **Ian Andrew Carnduff**, Brooklyn, NY (US); **Robert Charles Doherty**, Braintree, MA (US); **Graham Clive Hufton**, New York, NY (US); **Richard Kevin Sennett**, Abington, MA (US)
- (73) Assignee: **The Gillette Company LLC**, Boston, MA (US)
- (\*\*) Term: **15 Years**
- (21) Appl. No.: **29/545,878**
- (22) Filed: **Nov. 17, 2015**

- D103,670 S 3/1937 Connor
- 2,655,257 A 10/1953 Testi
- D267,394 S 12/1982 Liptak et al.
- D291,064 S 7/1987 Haber et al.
- D305,408 S 1/1990 LaJoie
- D313,175 S 12/1990 Motta et al.
- D352,236 S 11/1994 Althaus
- 5,407,066 A 4/1995 Grange
- 5,429,241 A 7/1995 Althaus
- D400,790 S 11/1998 Appelbaum
- D432,417 S 10/2000 McCann
- D433,283 S 11/2000 Thomas
- D442,857 S 5/2001 Feehan, Jr.
- 6,276,529 B1 8/2001 Feehan, Jr.
- D453,901 S 2/2002 Shepperson
- D495,246 S 8/2004 Tomassetti
- D496,267 S 9/2004 Tomassetti
- D505,619 S \* 5/2005 Metaxatos ..... D9/415
- D511,105 S 11/2005 Dominesey et al.
- D517,907 S 3/2006 Lee et al.

(Continued)

Primary Examiner — Brett Miller

(74) Attorney, Agent, or Firm — Ronald T. Sia; Kevin C. Johnson

**Related U.S. Application Data**

- (62) Division of application No. 29/496,570, filed on Jul. 15, 2014, now Pat. No. Des. 746,132, which is a division of application No. 29/416,175, filed on Mar. 19, 2012, now Pat. No. Des. 712,248.

(51) **LOC (11) Cl.** ..... **09-07**

(52) **U.S. Cl.**  
USPC ..... **D9/434**

(58) **Field of Classification Search**  
USPC ..... D9/415, 418, 425, 748, 424, 432, 434, D9/457

CPC .... B65D 73/00–73/0092; B65D 75/30–75/328  
See application file for complete search history.

(56) **References Cited**

**U.S. PATENT DOCUMENTS**

- 1,598,396 A 8/1926 Scandore
- D75,872 S 7/1928 Rice
- 1,767,705 A 6/1930 Schick

(57) **CLAIM**

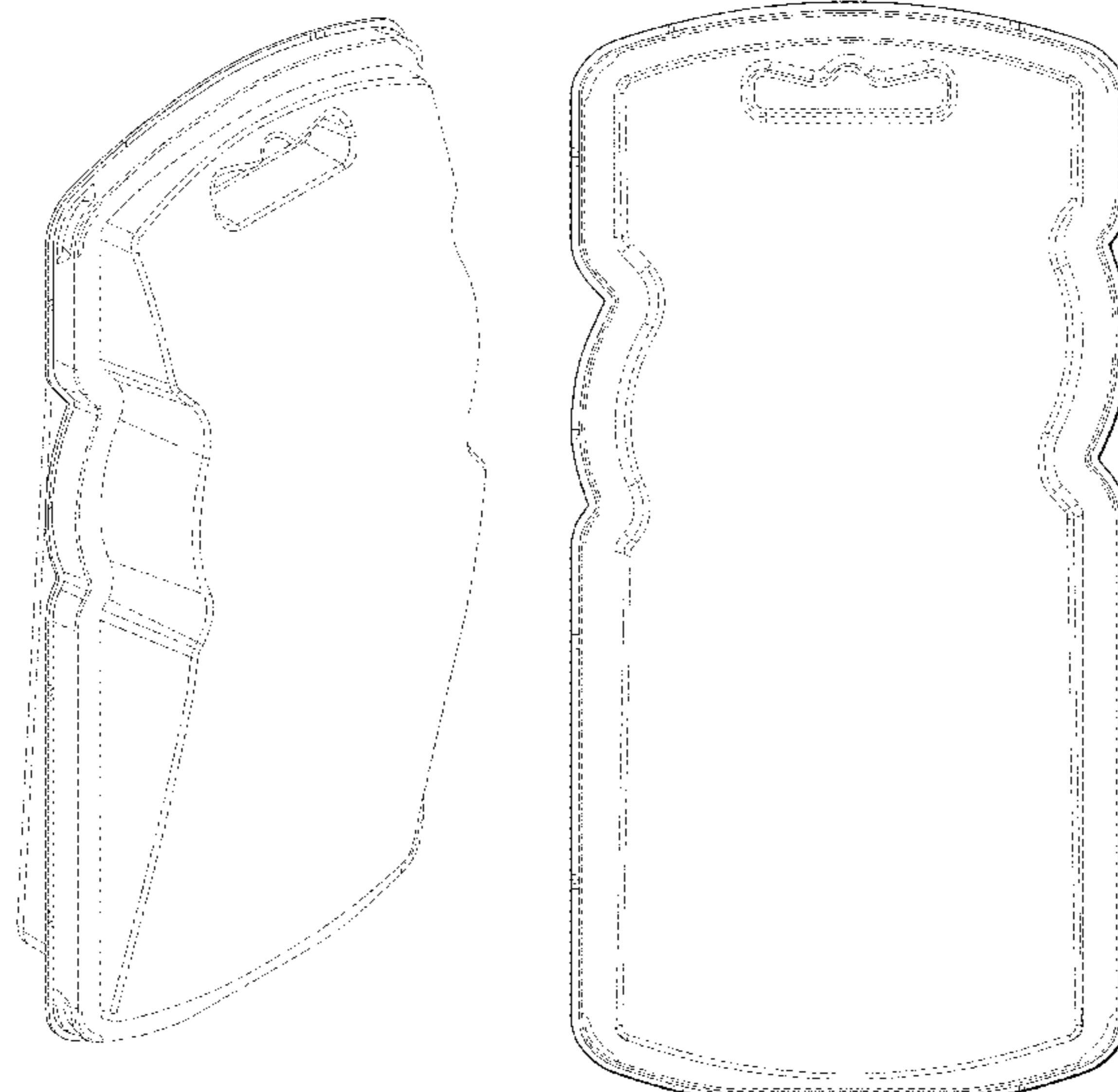
The ornamental design for a package, as shown and described.

**DESCRIPTION**

FIG. 1 is a perspective view of a package of the present invention;  
 FIG. 2 is a top view thereof;  
 FIG. 3 is a bottom view thereof;  
 FIG. 4 is a right view thereof;  
 FIG. 5 is a left view thereof;  
 FIG. 6 is a front view thereof; and,  
 FIG. 7 is a rear view thereof.

The broken lines depict environmental subject matter only and form no part of the claimed design.

**1 Claim, 5 Drawing Sheets**



(56)

**References Cited**

U.S. PATENT DOCUMENTS

D521,861	S	5/2006	Lee et al.	
D561,580	S	2/2008	Croft et al.	
D569,721	S	5/2008	Gedanke	
D577,577	S	9/2008	Lee et al.	
D603,254	S	11/2009	Hogenbirk	
D618,539	S	6/2010	Ruth	
D622,617	S	8/2010	Sorrentino et al.	
D652,259	S	1/2012	Hatcher et al.	
D661,180	S *	6/2012	Marcinkowski .....	D9/415
D671,399	S	11/2012	Armstrong et al.	
D684,862	S *	6/2013	DiFranza .....	D9/434
D686,071	S *	7/2013	Marcinkowski .....	D9/414
D711,234	S *	8/2014	Morgan .....	D9/457
D712,248	S	9/2014	Carnduff et al.	
D718,135	S *	11/2014	Harrison .....	D9/457
D745,385	S *	12/2015	Palsson .....	D9/415
D746,132	S *	12/2015	Carnduff .....	D9/434
2003/0150770	A1 *	8/2003	Campbell .....	B65D 43/162 206/722
2006/0186184	A1	8/2006	Jourdain	
2006/0283741	A1	12/2006	Bin	
2008/0023369	A1	1/2008	Lee et al.	
2008/0178473	A1 *	7/2008	Liu .....	B65D 73/0092 30/277.4
2010/0230312	A1	9/2010	Sorrentino et al.	
2012/0125924	A1 *	5/2012	Falkman .....	B65D 75/22 220/4.22
2013/0319896	A1 *	12/2013	Corbat .....	B65D 75/322 206/470
2014/0083885	A1 *	3/2014	Lee .....	B65D 75/32 206/361

\* cited by examiner

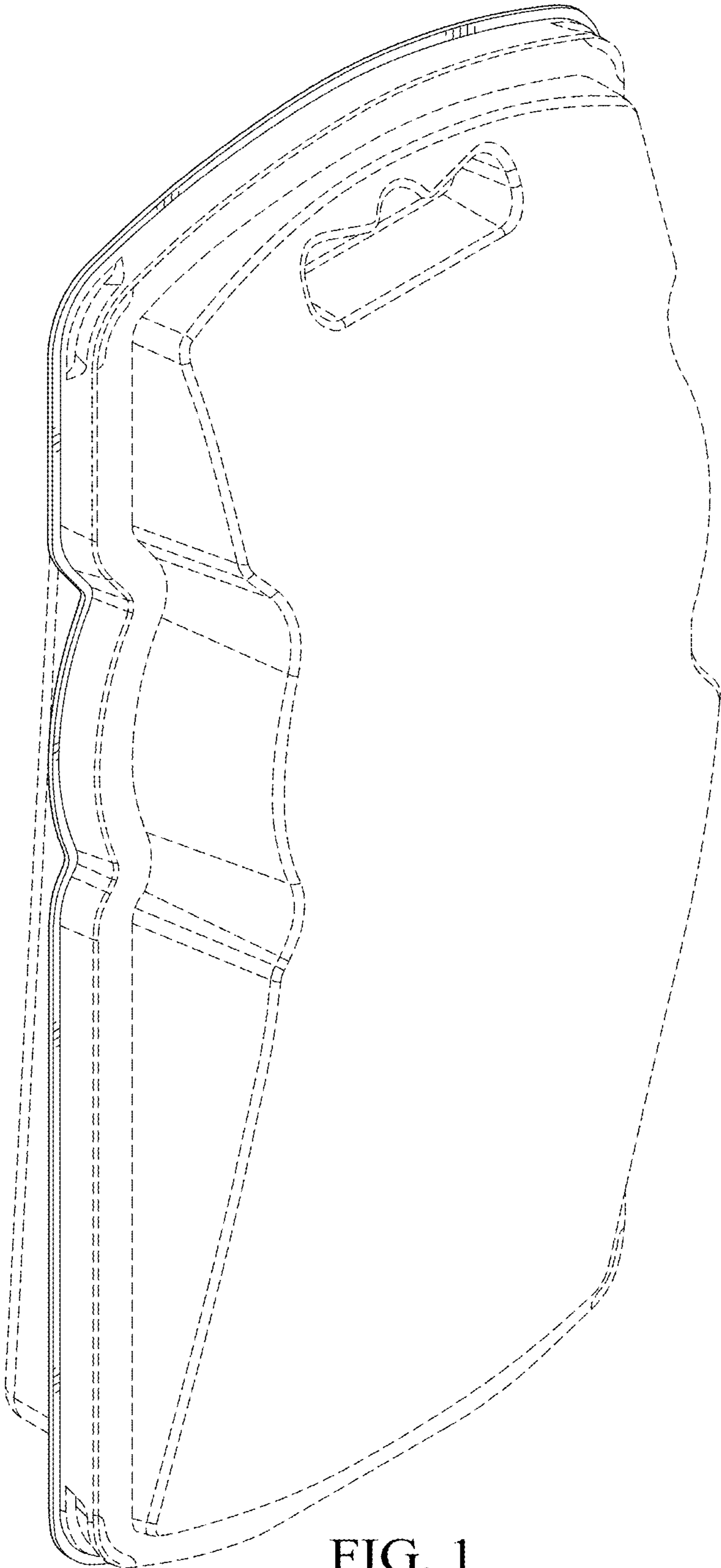


FIG. 1

FIG. 2

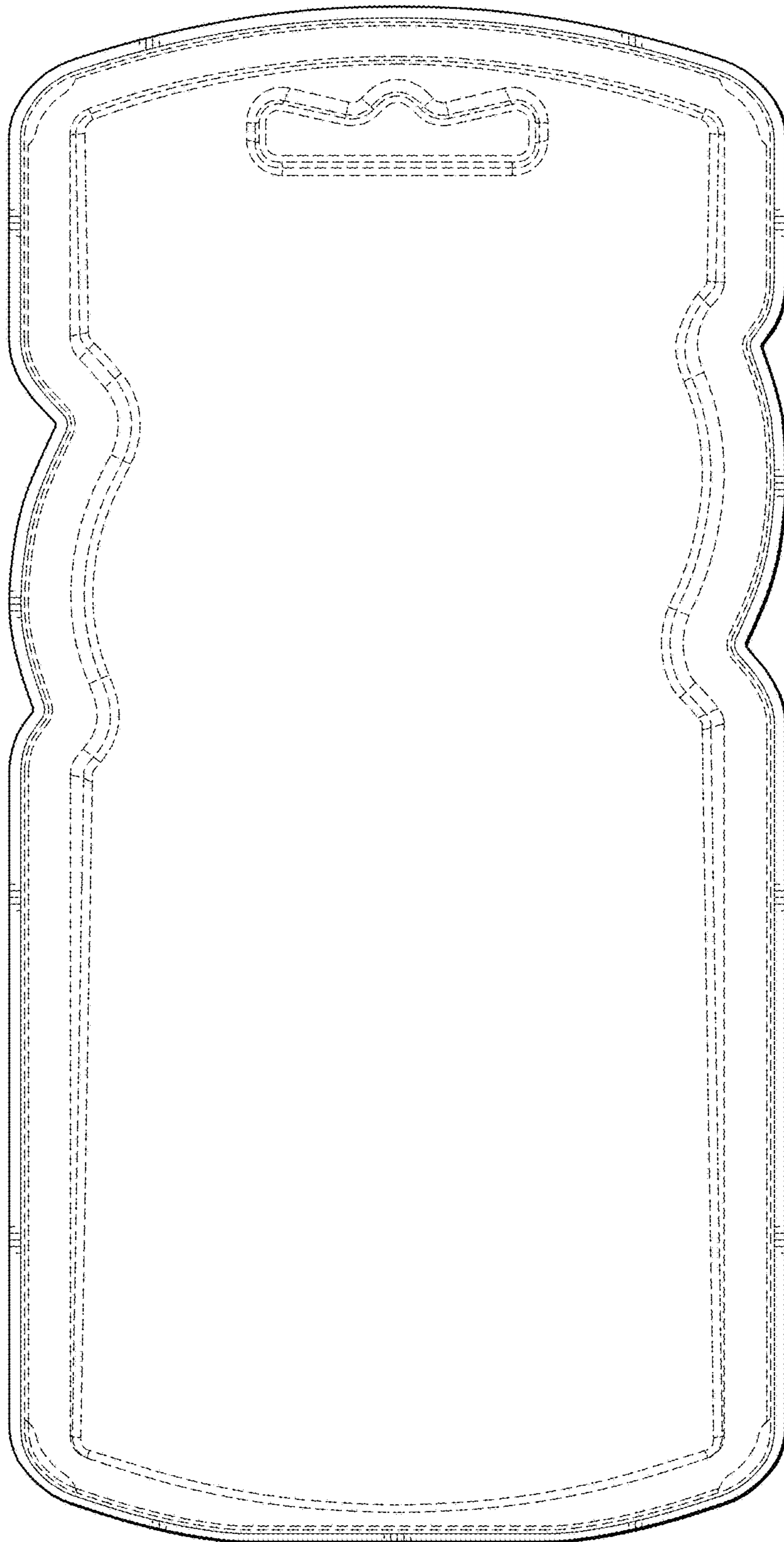


FIG. 3

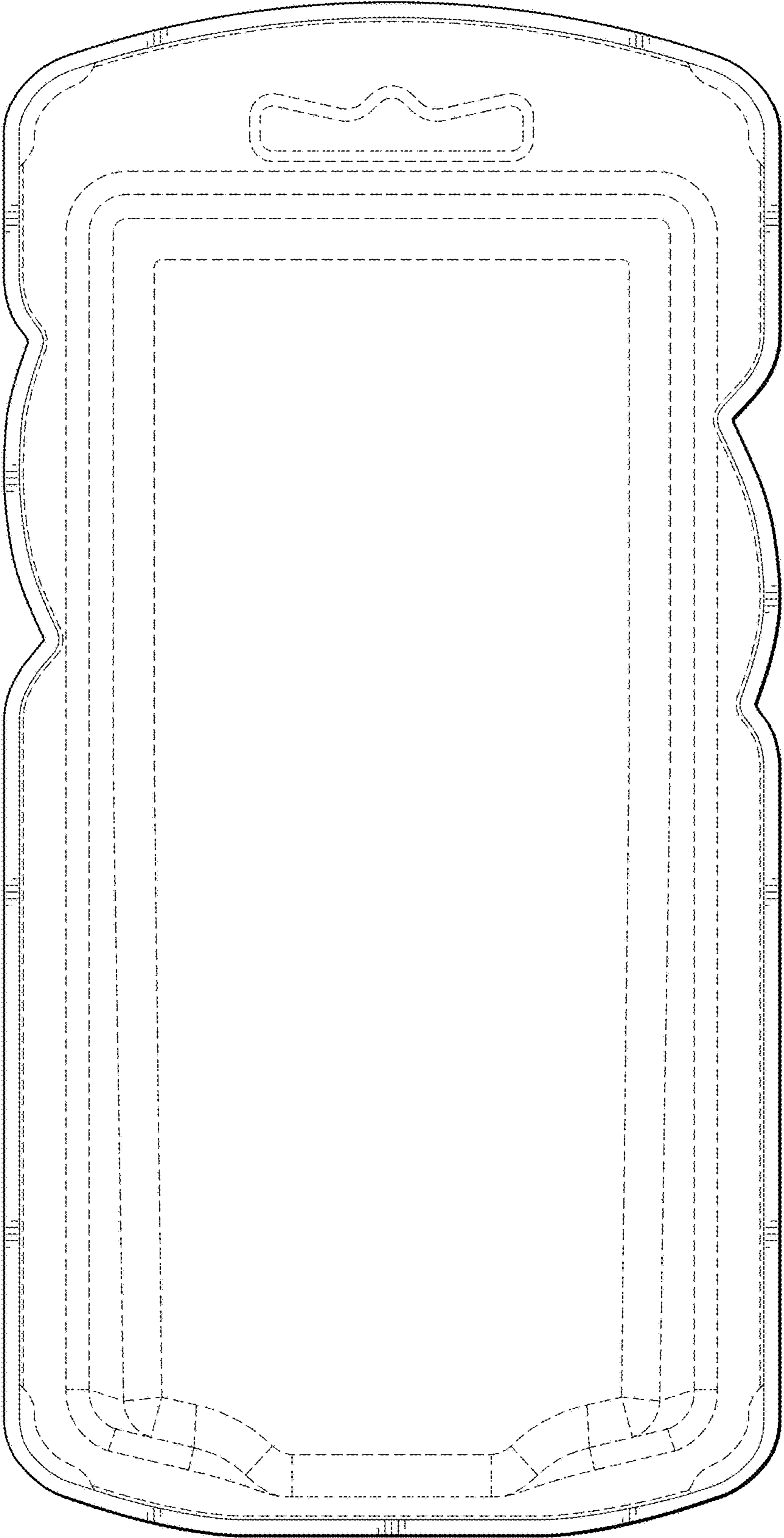


FIG. 4

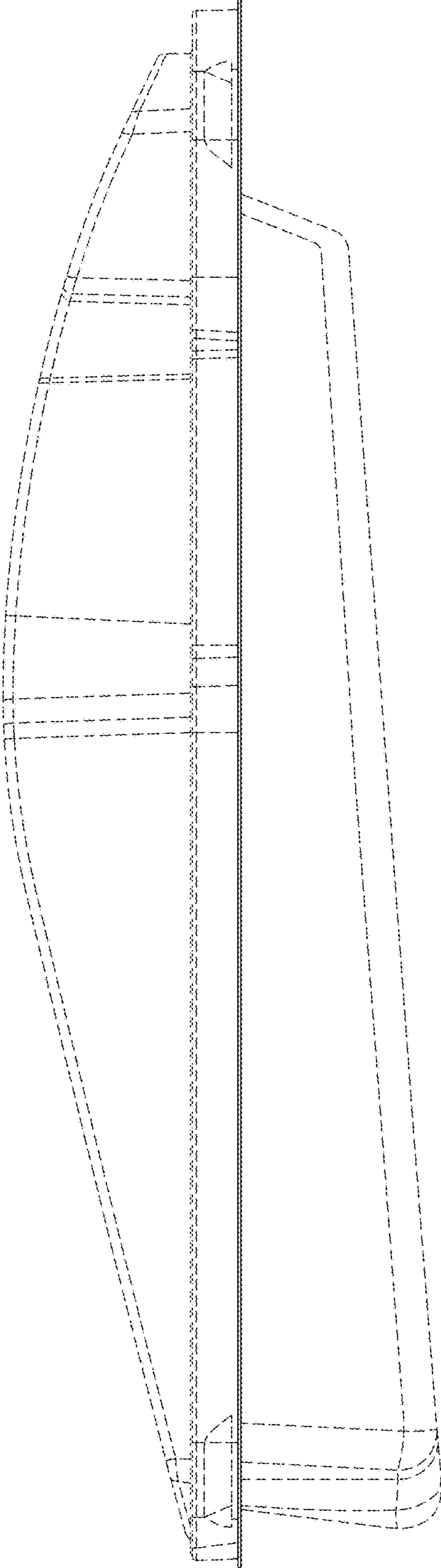
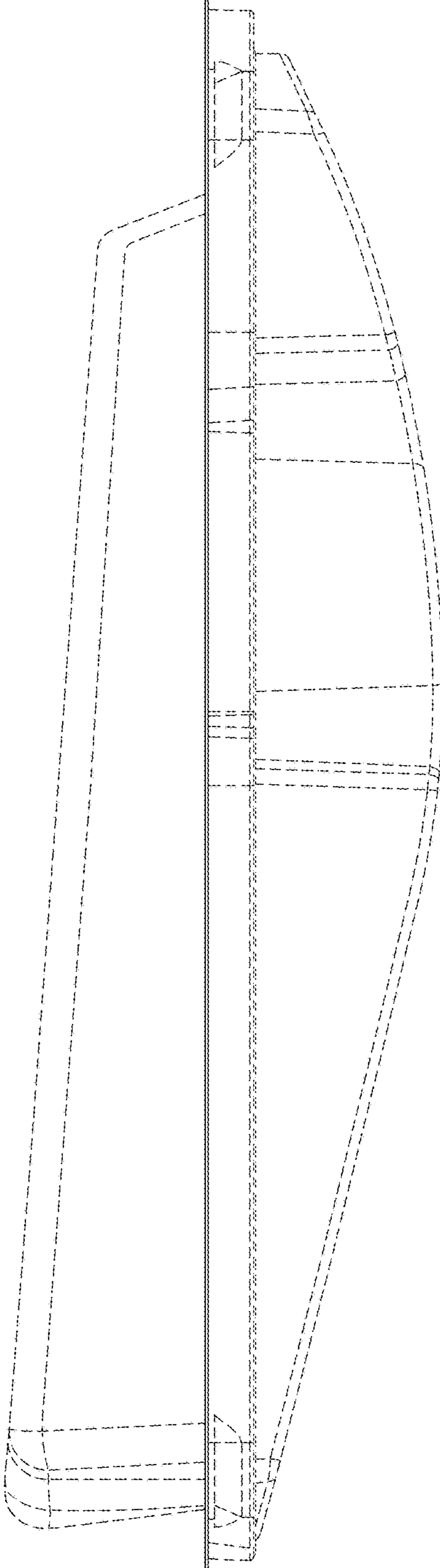


FIG. 5



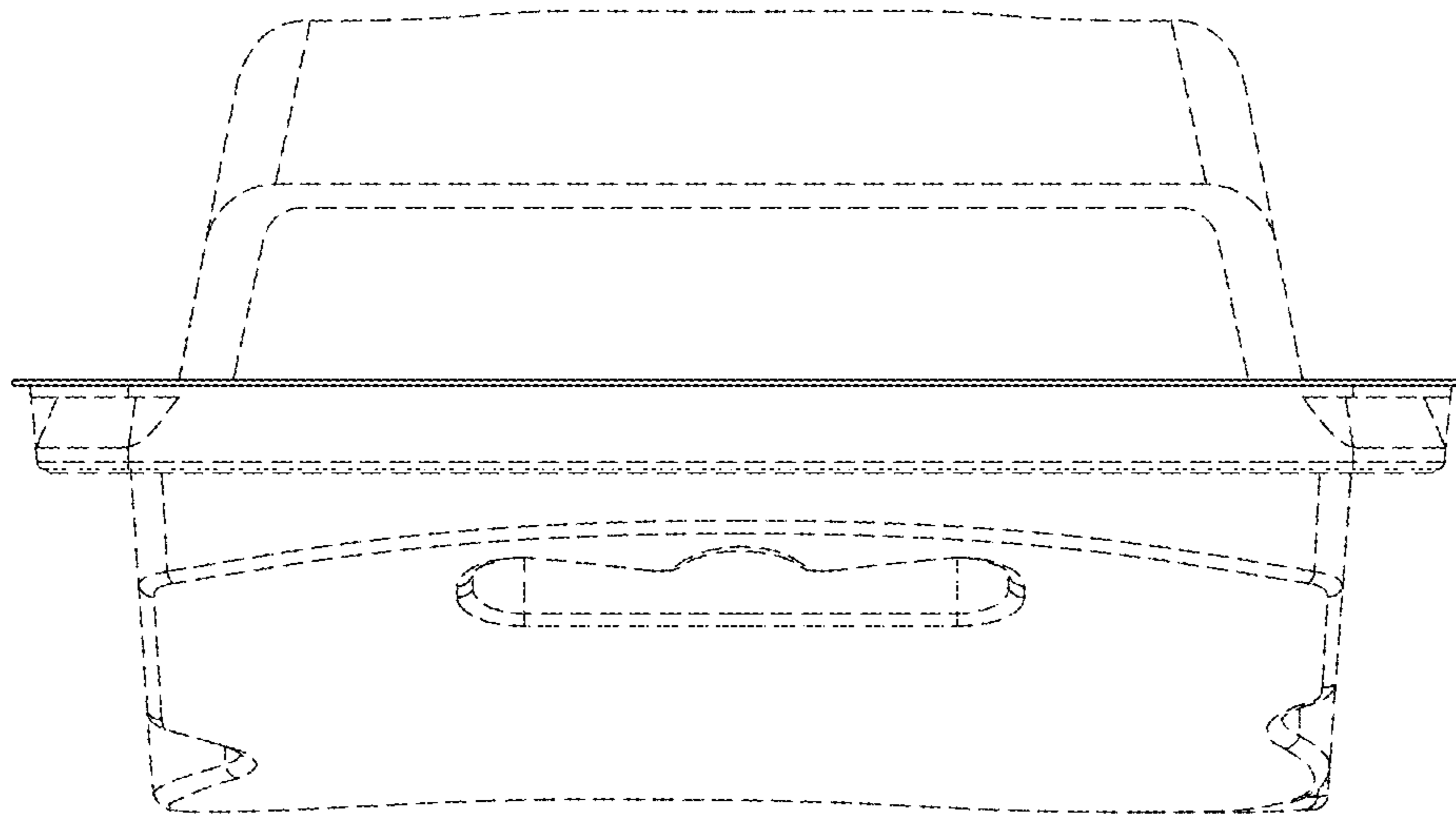


FIG. 6

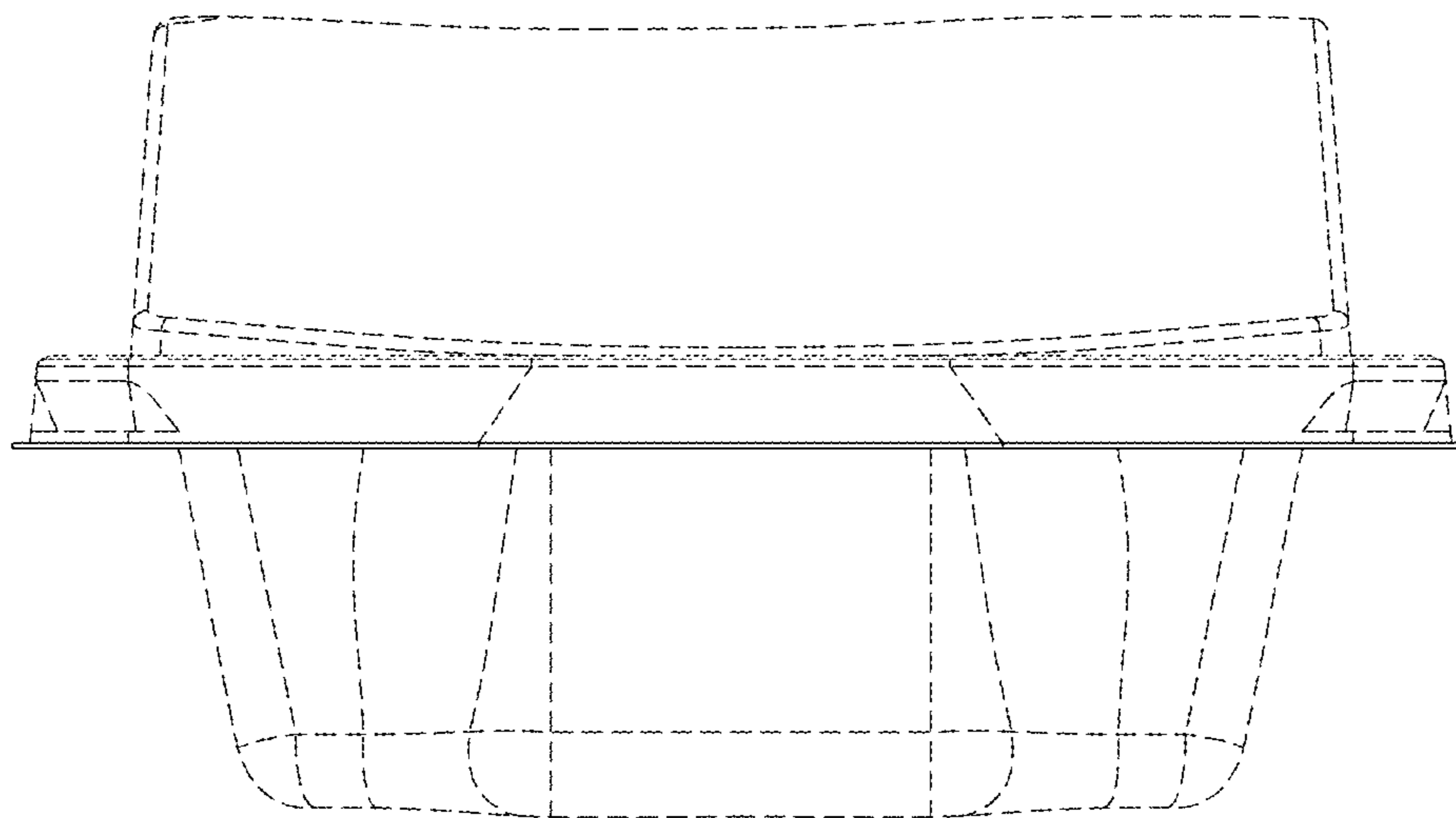


FIG. 7